



US00D731971S

(12) **United States Design Patent**
Andren

(10) **Patent No.:** **US D731,971 S**
(45) **Date of Patent:** **** Jun. 16, 2015**

(54) **GENERATOR ENCLOSURE**
(71) Applicant: **Kohler Co.**, Kohler, WI (US)
(72) Inventor: **Travis J. Andren**, Sheboygan, WI (US)
(73) Assignee: **Kohler Co.**, Kohler, WI (US)
(**) Term: **14 Years**

D488,138 S * 4/2004 Parsadayan et al. D13/184
D511,139 S * 11/2005 Xiao D13/116
D516,507 S * 3/2006 Nushart et al. D13/112
D517,009 S * 3/2006 Xiao D13/116
D523,806 S * 6/2006 Symanzik et al. D13/101
D531,176 S 10/2006 Ng et al.
D555,116 S * 11/2007 Schlegel et al. D13/184
D564,450 S 3/2008 Gravlin et al.
D566,042 S * 4/2008 Yamasaki et al. D13/116

(Continued)

(21) Appl. No.: **29/440,174**
(22) Filed: **Dec. 19, 2012**
(51) **LOC (10) Cl.** **13-01**
(52) **U.S. Cl.**
USPC **D13/114**; D13/122
(58) **Field of Classification Search**
USPC 123/2, 3; 290/1 A, 1 B, 1 R; 310/89;
322/100; 361/730; D3/201, 272, 276,
D3/279, 294; D6/432, 440; D13/101, 111,
D13/112, 113, 114, 115, 116, 118, 122, 184,
D13/199; D23/351, 395
See application file for complete search history.

OTHER PUBLICATIONS

A 2010 norwall.com web site excerpt depicting a Generac Guardian 14KW Generator.

(Continued)

Primary Examiner — Derrick Holland
Assistant Examiner — Jennifer O King
(74) *Attorney, Agent, or Firm* — Michael Best & Friedrich LLP

(57) **CLAIM**

I claim the ornamental design for a generator enclosure, as shown and described.

(56) **References Cited**

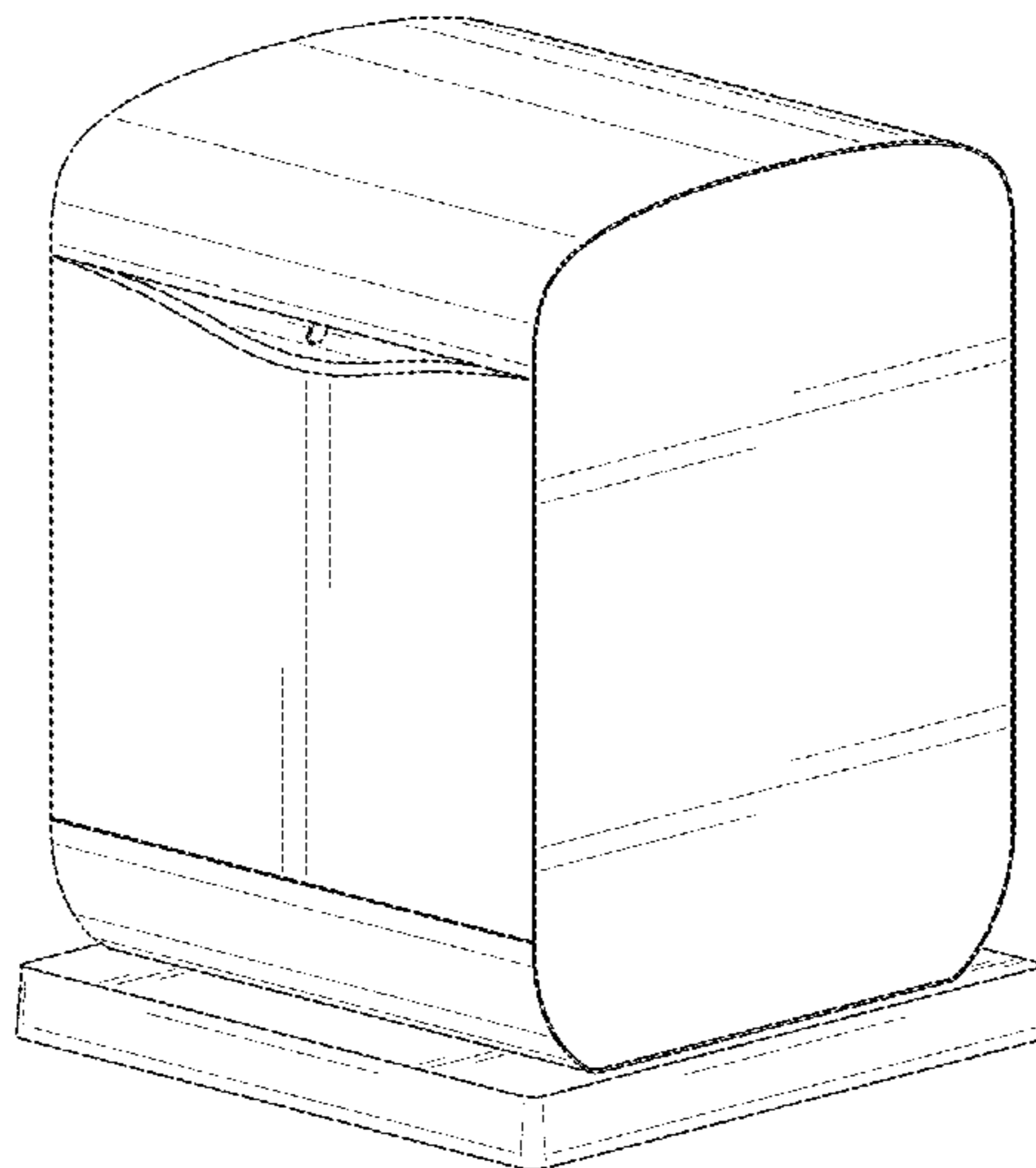
DESCRIPTION

U.S. PATENT DOCUMENTS

D27,433 S * 7/1897 Heath D13/112
D138,383 S * 7/1944 Whitesell D13/110
D158,149 S * 4/1950 Sundberg D23/351
D165,225 S * 11/1951 Goodman D13/112
D249,788 S 10/1978 Nanjo
D295,400 S * 4/1988 Wung D13/154
4,835,405 A 5/1989 Clancey et al.
D314,743 S * 2/1991 Ishii D13/116
D335,862 S * 5/1993 Kusunoki et al. D13/116
D338,469 S * 8/1993 Alden et al. D14/140.3
D339,102 S * 9/1993 Boyd D13/110
D382,853 S * 8/1997 Crawford D13/112
D416,537 S * 11/1999 Imai et al. D13/116
6,124,567 A 9/2000 Feldhausen et al.
D454,388 S * 3/2002 Mutchnik et al. D23/351
D470,103 S * 2/2003 Nishida D13/116

FIG. 1 is a front view of a generator enclosure.
FIG. 2 is a rear view of the generator enclosure shown in FIG. 1.
FIG. 3 is a right side view of the generator enclosure shown in FIG. 1, the left side view being a mirror image thereof.
FIG. 4 is a top view of the generator enclosure shown in FIG. 1.
FIG. 5 is a front perspective view of the generator enclosure shown in FIG. 1; and,
FIG. 6 is a rear perspective view of the generator enclosure shown in FIG. 1.
The bottom view has no surface ornamentation and, therefore, has been omitted.

1 Claim, 6 Drawing Sheets



(56)

References Cited

U.S. PATENT DOCUMENTS

D572,658 S * 7/2008 Yamamoto et al. D13/116
D574,771 S 8/2008 Flanigan
D584,251 S * 1/2009 Lewis et al. D13/184
D588,061 S * 3/2009 Bao et al. D13/122
D588,063 S * 3/2009 Lannoch D13/122
D594,819 S * 6/2009 Yamamoto et al. D13/116
D624,878 S * 10/2010 Uneo et al. D13/119

D638,795 S * 5/2011 Bechtel D13/122
D654,023 S * 2/2012 Kyle Ching Hao D13/110
D662,055 S 6/2012 Little et al.
2008/0185801 A1* 8/2008 Gravlin et al. 280/47.11

OTHER PUBLICATIONS

A 2010 norwall.com web site excerpt depicting a Generac QP55 Generator.

* cited by examiner

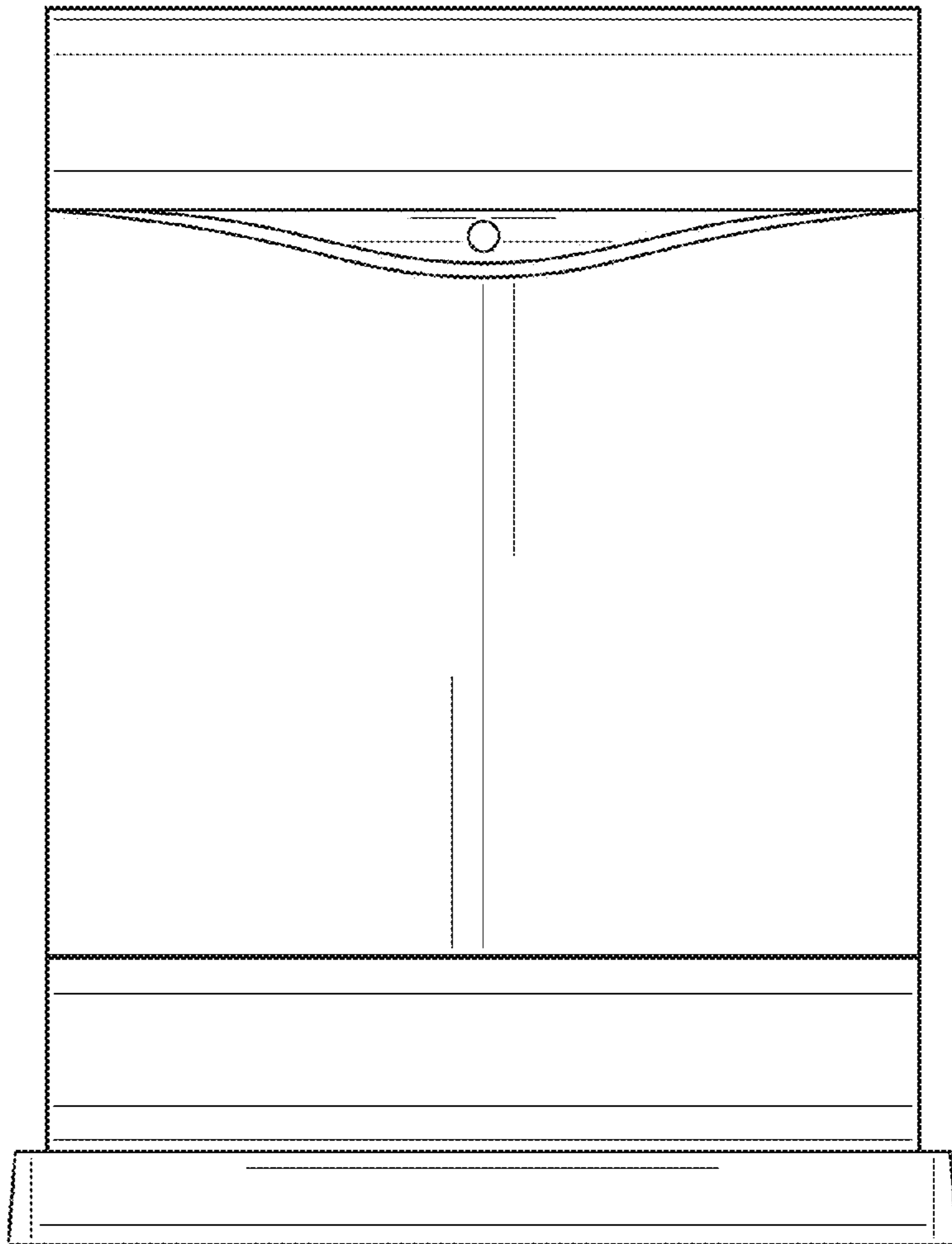


FIG. 1

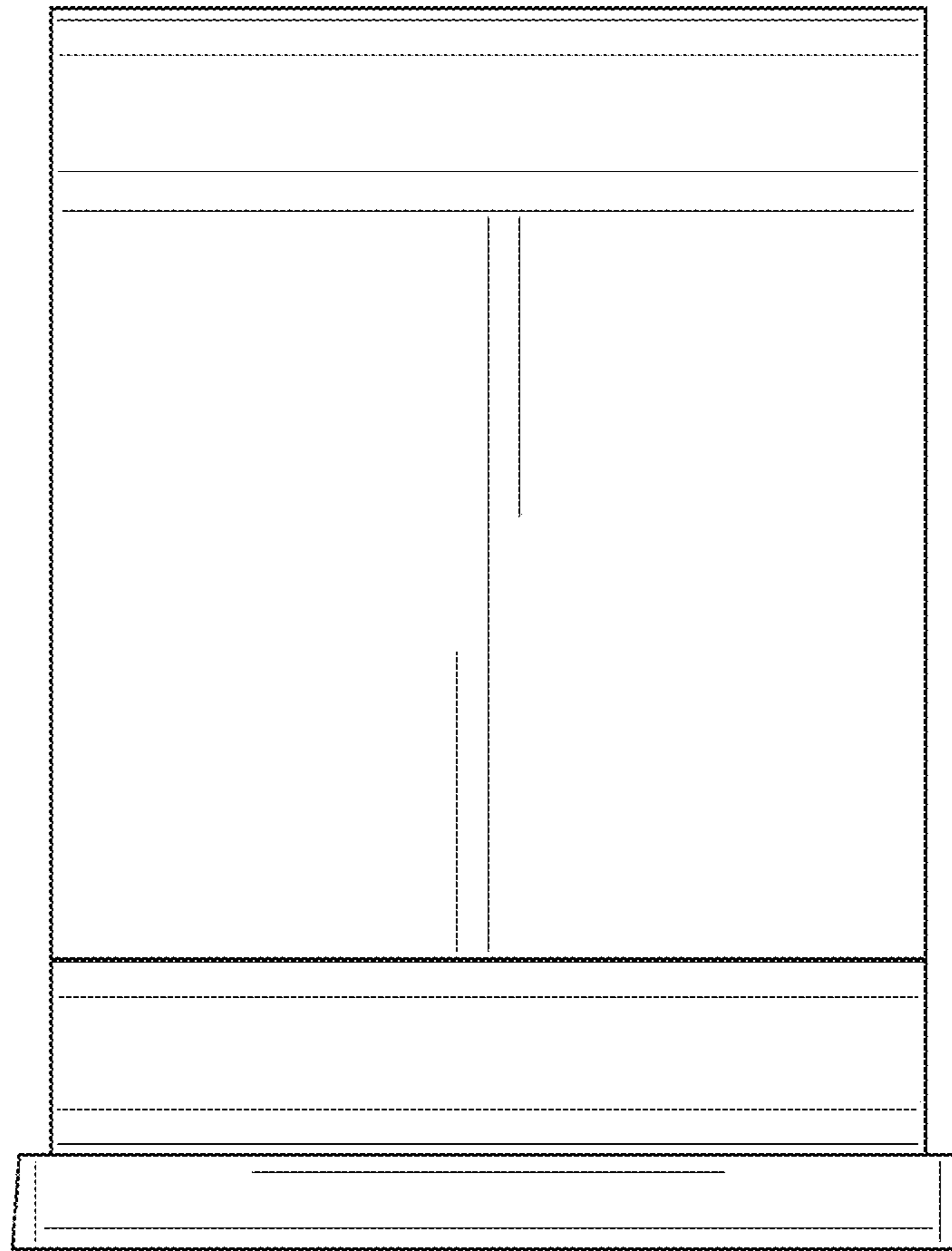


FIG. 2

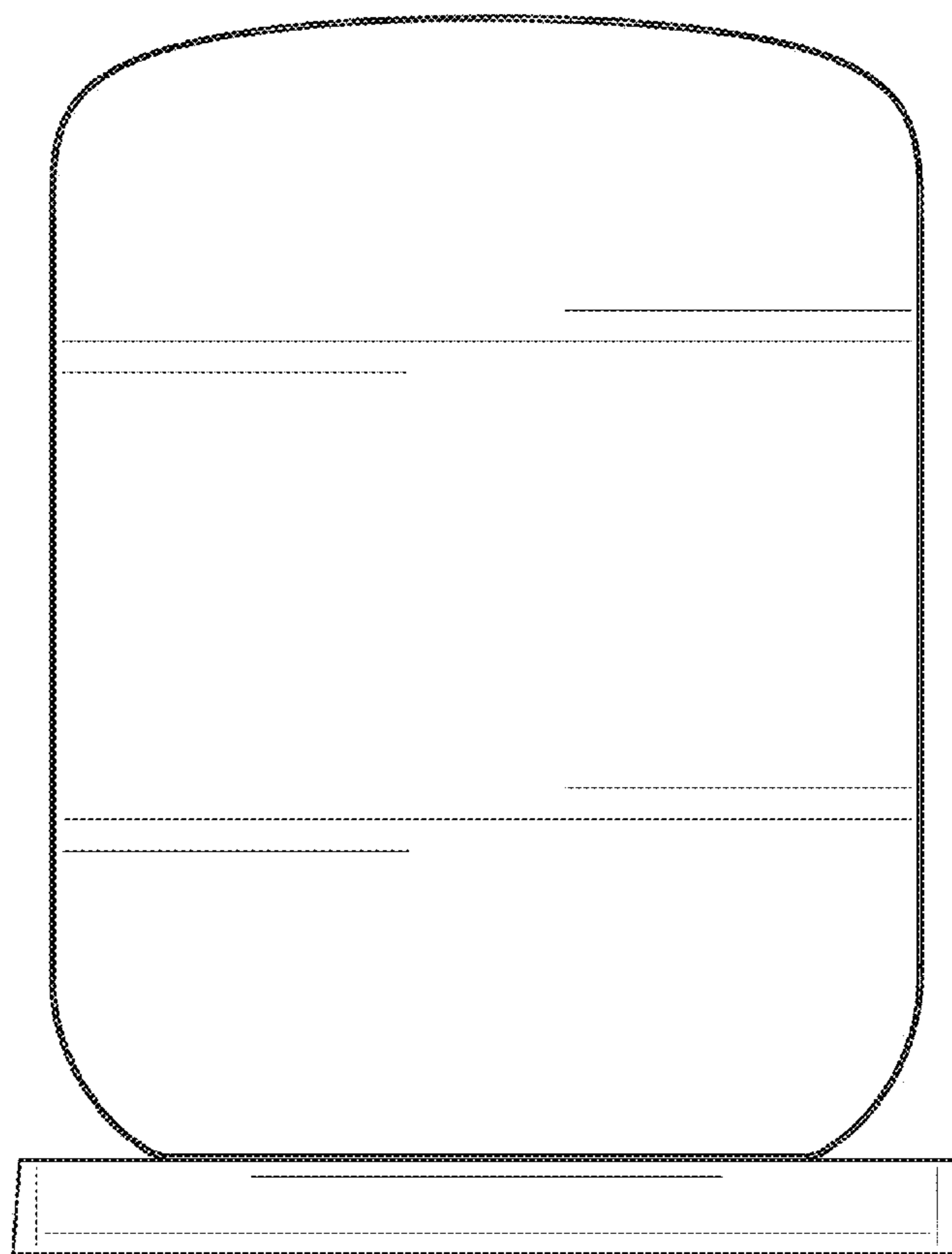


FIG. 3

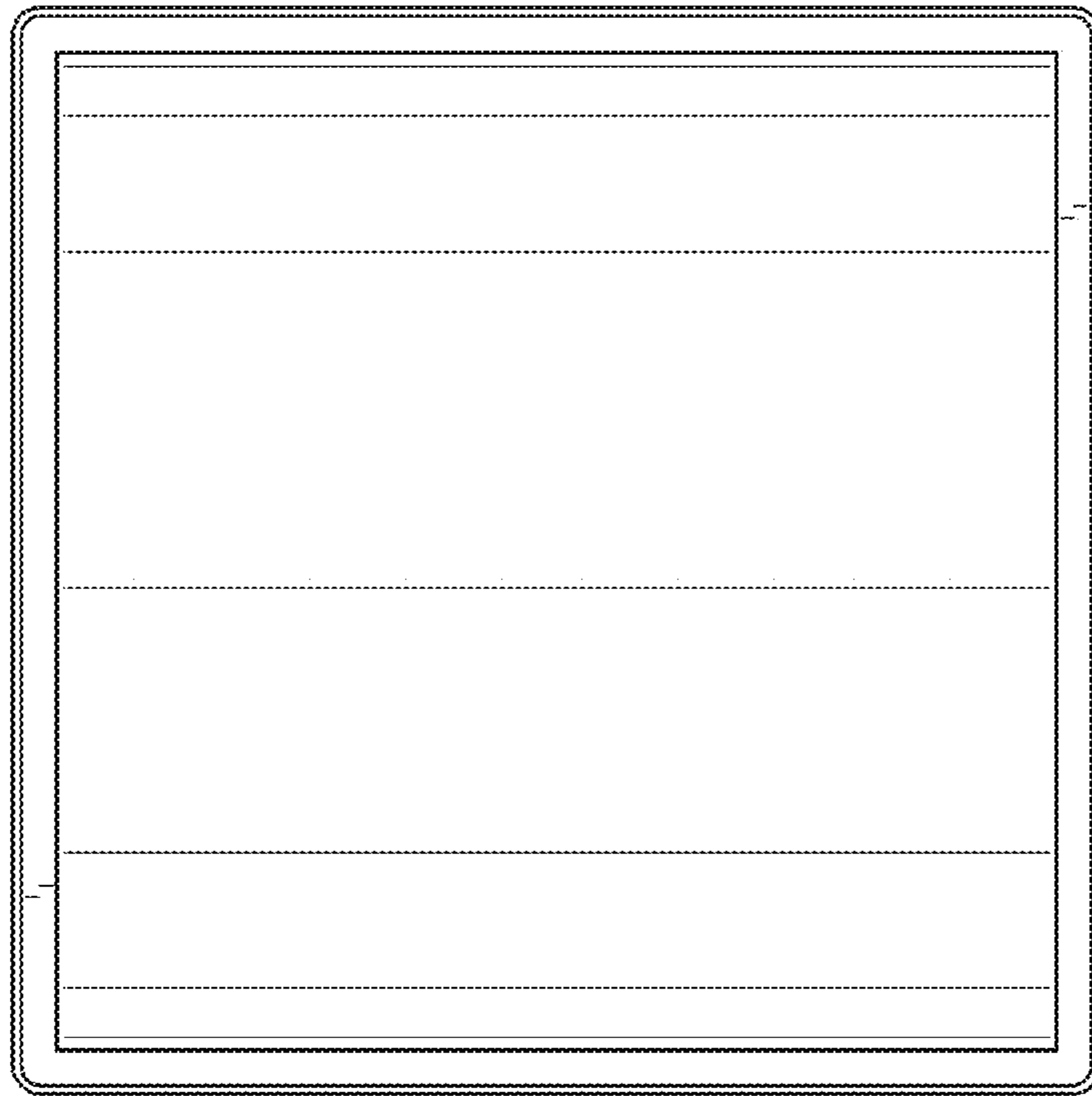


FIG. 4

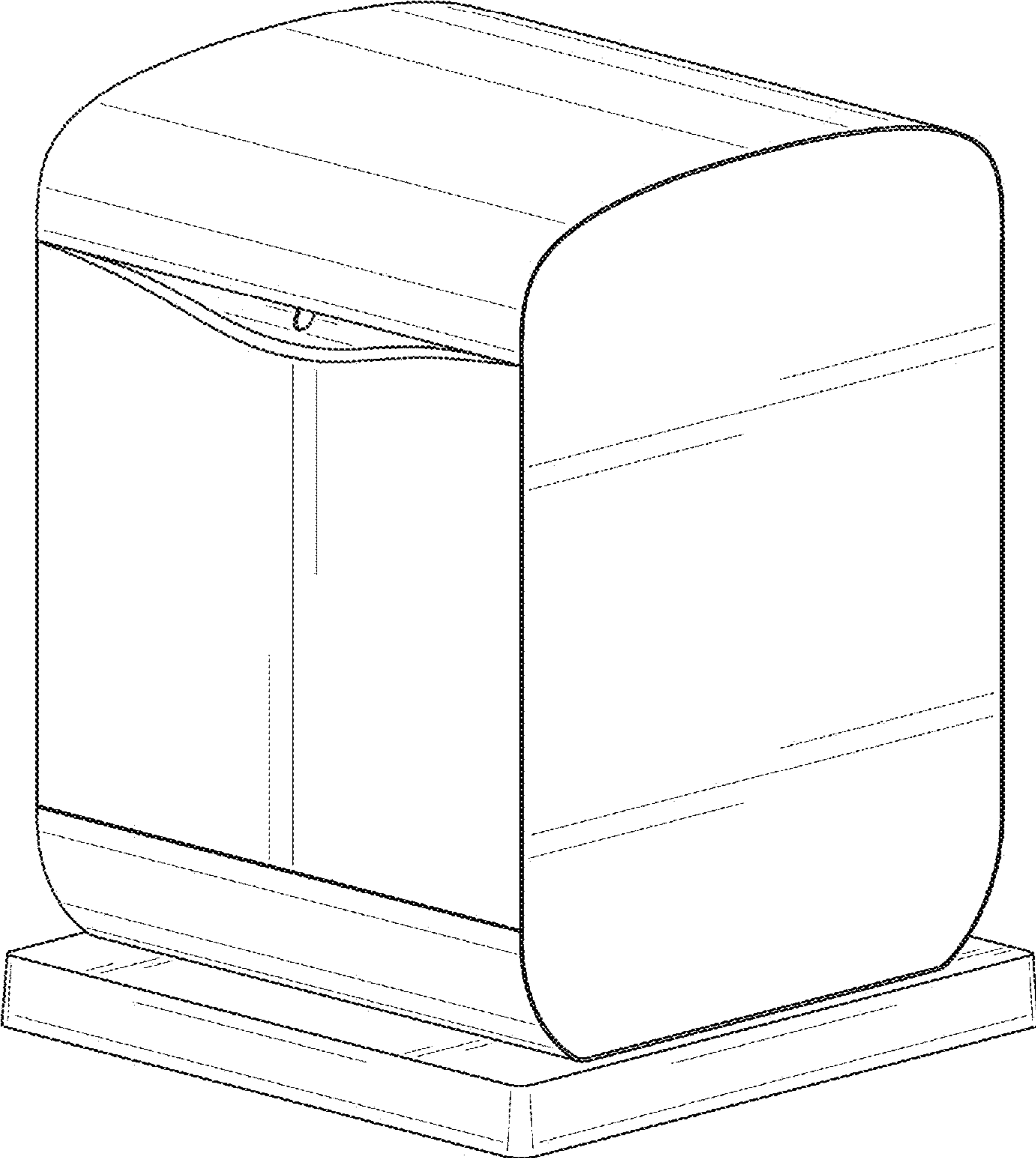


FIG. 5

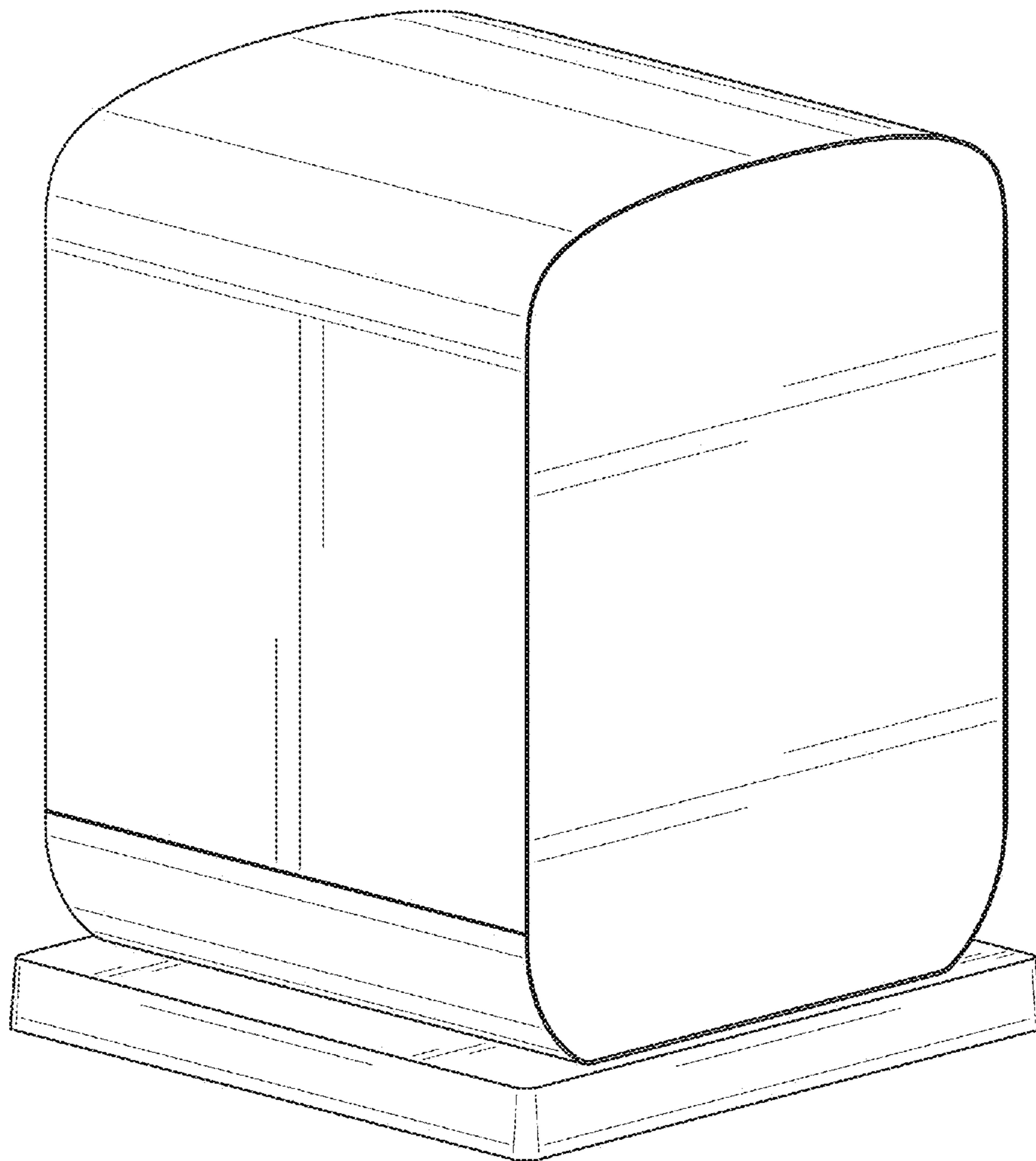


FIG. 6