



US00D731970S

(12) **United States Design Patent**
Kamath et al.

(10) **Patent No.:** **US D731,970 S**
(45) **Date of Patent:** **** Jun. 16, 2015**

- (54) **POWER ADAPTER DEVICE**
- (71) Applicant: **Cooper Technologies Company**,
Houston, TX (US)
- (72) Inventors: **Hundi Panduranga Kamath**, Los Altos,
CA (US); **Ramdev Kanapady**,
Campbell, CA (US)
- (73) Assignee: **COOPER TECHNOLOGIES**
COMPANY, Houston, TX (US)
- (**) Term: **14 Years**
- (21) Appl. No.: **29/478,322**
- (22) Filed: **Jan. 3, 2014**
- (51) **LOC (10) Cl.** **13-02**
- (52) **U.S. Cl.**
USPC **D13/110**
- (58) **Field of Classification Search**
USPC D13/103, 107, 108, 110, 123, 133,
D13/137.1, 138.1, 199; 174/59, 61;
307/150, 151; 320/111, 114; 363/132,
363/140, 142, 143, 146; 439/105, 131, 166,
439/218, 518, 692, 956; D14/240, 251,
D14/253, 432, 433, 434
CPC H01R 27/00; H01R 31/06; H02J 7/0055;
H02J 2007/0059; H02M 1/10
See application file for complete search history.

(56) **References Cited**

U.S. PATENT DOCUMENTS

D398,581 S *	9/1998	Chang	D13/138.1
D522,463 S	6/2006	Novotney et al.		
D588,545 S	3/2009	Andre et al.		
D595,224 S *	6/2009	Seil et al.	D13/110
D601,097 S	9/2009	Novotney et al.		
D604,253 S	11/2009	Andre et al.		
7,621,765 B1 *	11/2009	Wu	439/173

D611,415 S 3/2010 Andre et al.
D617,275 S * 6/2010 Fahrendorff et al. D13/138.1
D621,357 S * 8/2010 Dong D13/138.1

(Continued)

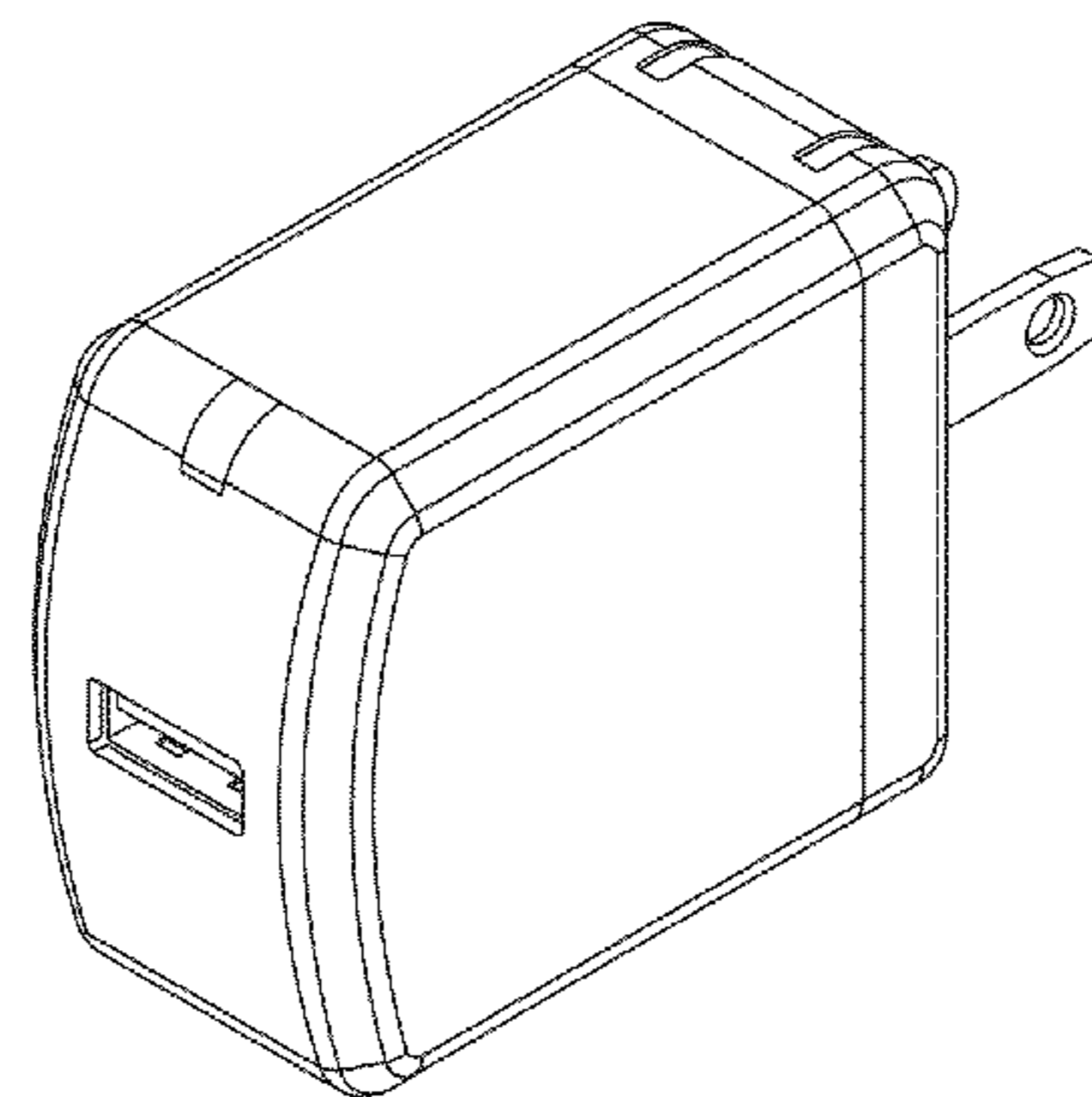
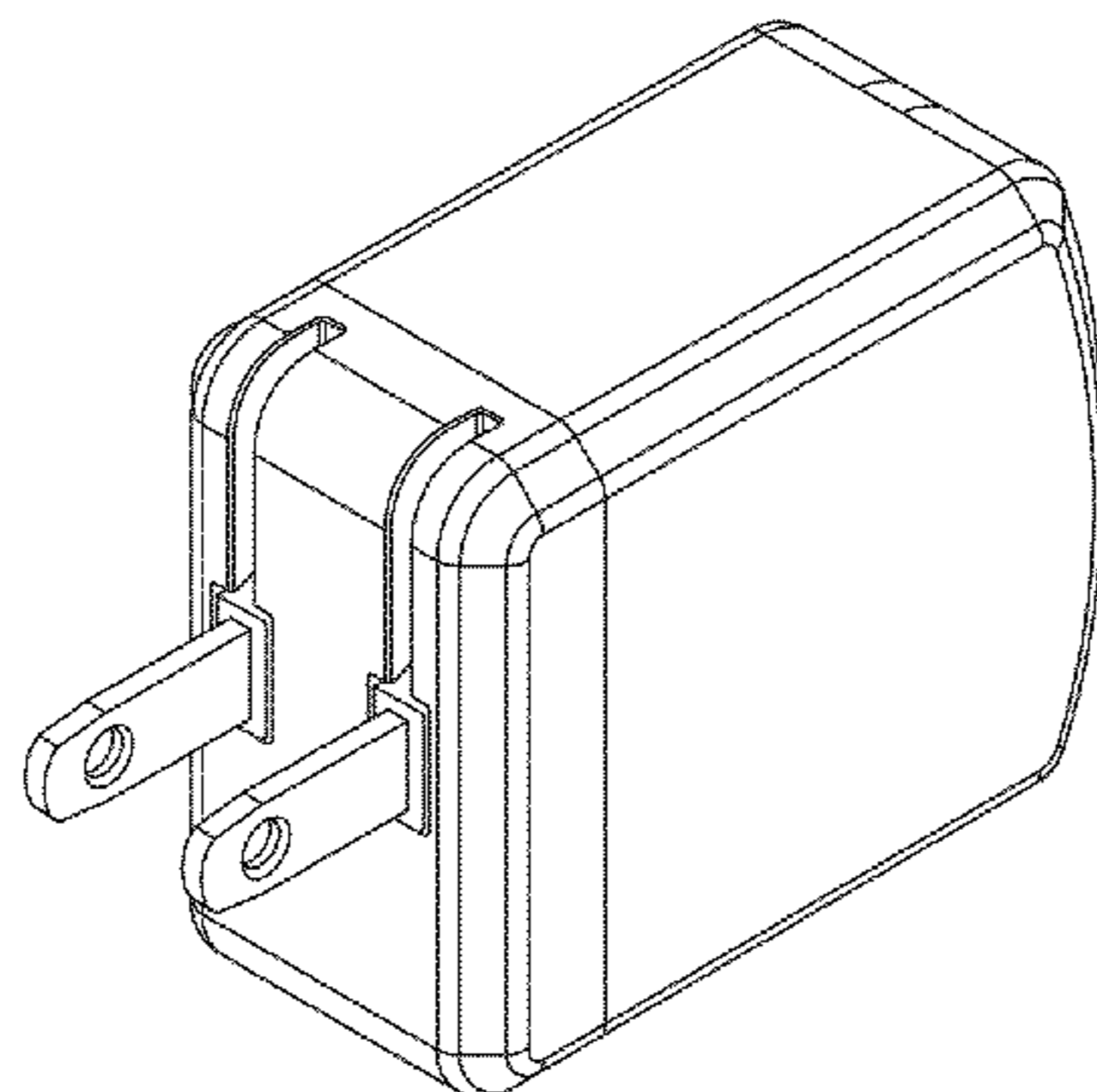
Primary Examiner — Derrick Holland
Assistant Examiner — Jennifer O King
(74) *Attorney, Agent, or Firm* — Armstrong Teasdale LLP

(57) **CLAIM**
We claim the ornamental design for a power adapter device,
as substantially shown and described.

DESCRIPTION

FIG. 1 is a top rear perspective view of the first embodiment of a power adapter device;
FIG. 2 is a top front perspective view thereof;
FIG. 3 is a right side elevational view thereof; the left side elevational view thereof is the mirror image of FIG. 3;
FIG. 4 is a front elevational view thereof;
FIG. 5 is a rear elevational view thereof; and
FIG. 6 is a top view thereof.
FIG. 7 is another top rear perspective view of the first embodiment of a power adapter device, with the terminal prongs being shown in a folded configuration;
FIG. 8 is a top front perspective view thereof;
FIG. 9 is a right side elevational view thereof; the left side elevational view thereof is the mirror image of FIG. 9;
FIG. 10 is a front elevational view thereof;
FIG. 11 is a rear elevational view thereof; and,
FIG. 12 is a bottom view thereof.
FIG. 13 is a top rear perspective view of a second embodiment of the power adaptor device;
FIG. 14 is a top front perspective view thereof;
FIG. 15 is a right side elevational view thereof; the left side elevational view thereof is the mirror image of FIG. 15;
FIG. 16 is a front elevational view thereof;
FIG. 17 is a rear elevational view thereof; and,
FIG. 18 a top view thereof.
The broken lines shown represent unclaimed subject matter and form no part of the claimed design.

1 Claim, 9 Drawing Sheets



(56)

References Cited

U.S. PATENT DOCUMENTS

D623,136 S 9/2010 Andre et al.
7,874,853 B2* 1/2011 Chiang et al. 439/173
D640,631 S * 6/2011 Smith et al. D13/138.1
D647,476 S * 10/2011 Ciou D13/110
8,033,846 B2* 10/2011 Youssefi-Shams et al. ... 439/172
D650,330 S * 12/2011 Dong D13/108

D653,213 S 1/2012 Andre et al.
D663,687 S * 7/2012 Liu D13/108
D673,112 S * 12/2012 Zhang D13/108
D678,187 S * 3/2013 Huang D13/103
D682,781 S * 5/2013 Wakafuji et al. D13/110
8,469,730 B2* 6/2013 Garb et al. 439/173
2002/0090848 A1* 7/2002 Yu 439/131
2007/0126290 A1* 6/2007 Jaynes et al. 307/150

* cited by examiner

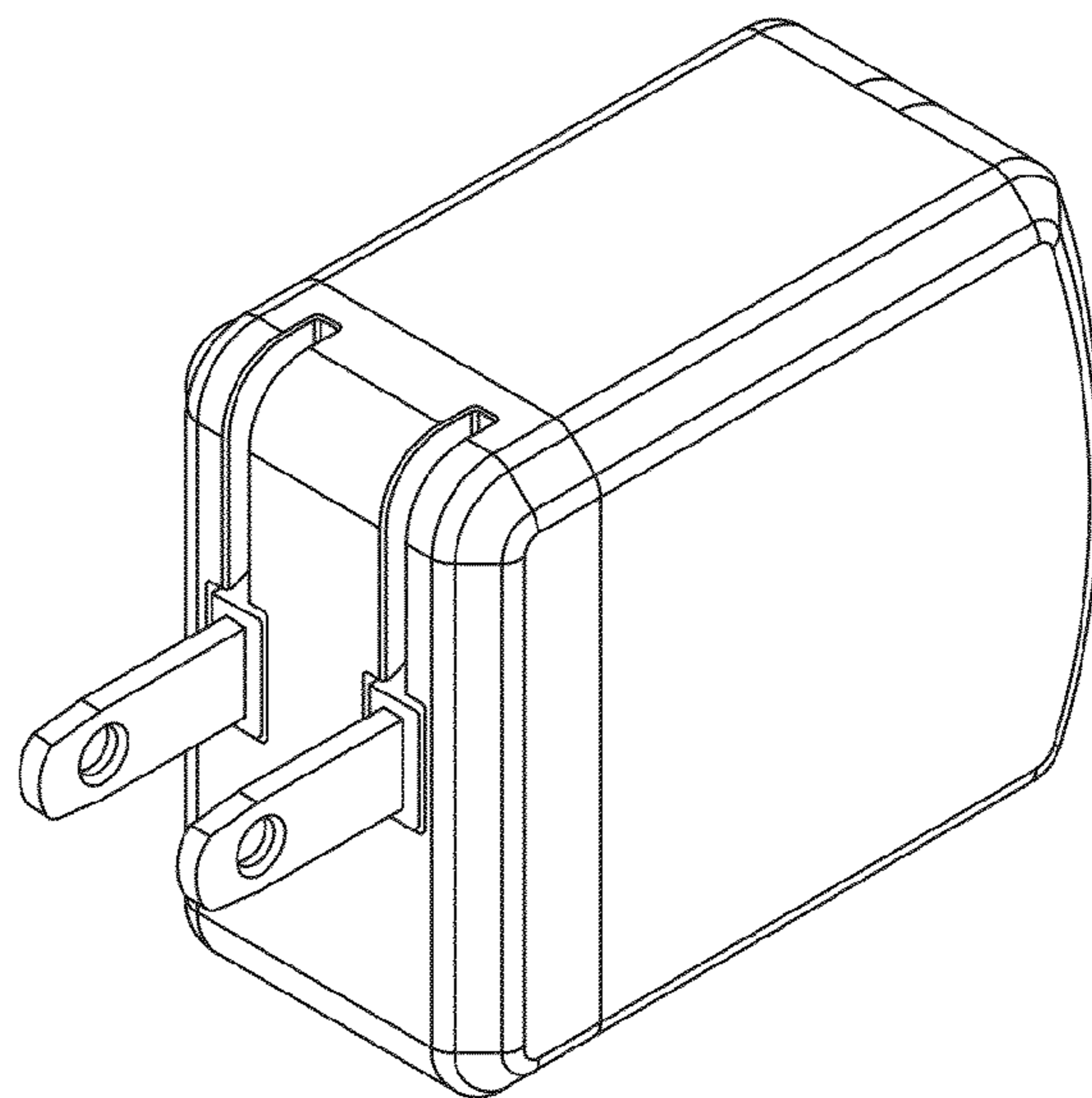


FIG. 1

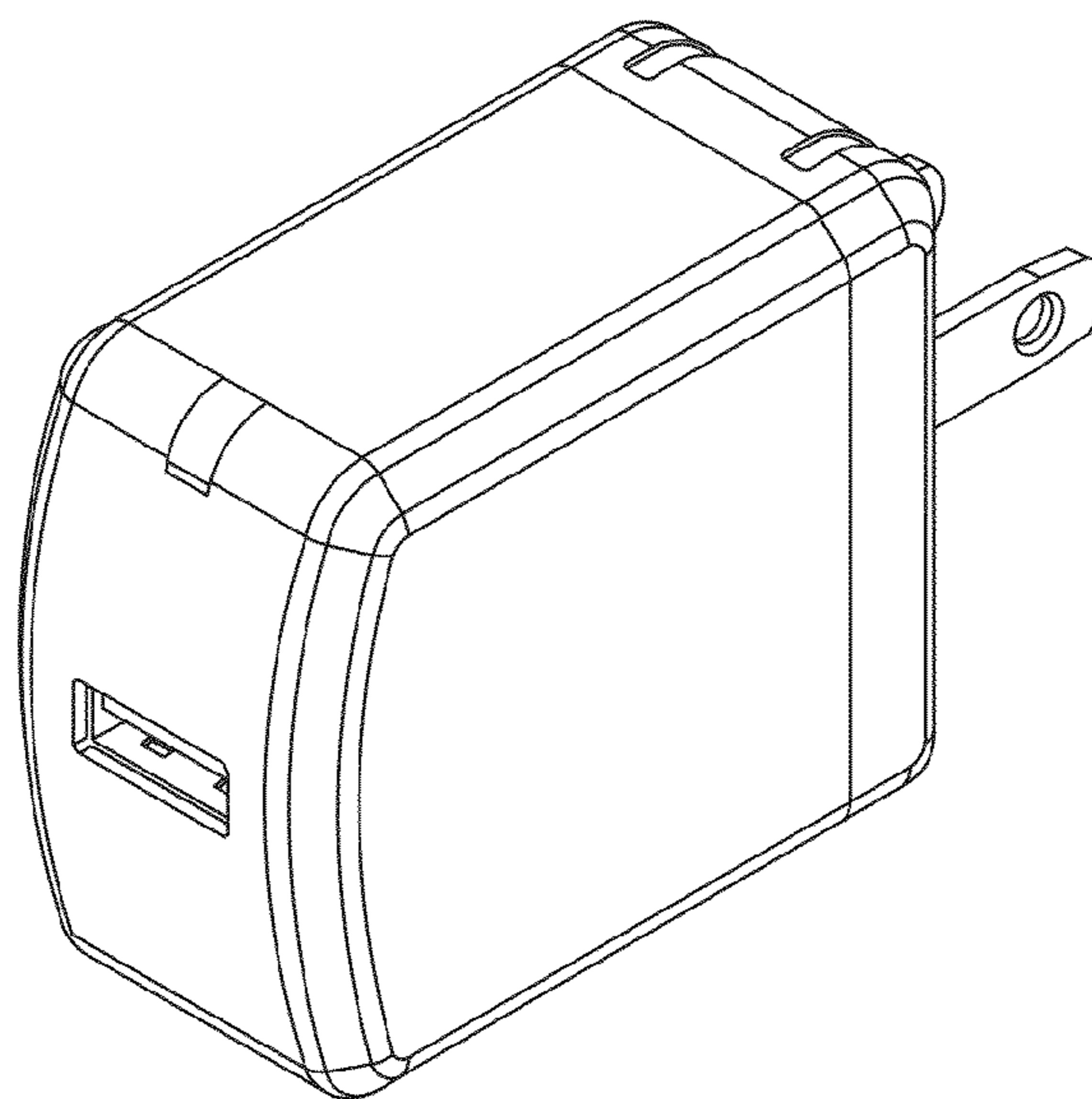


FIG. 2

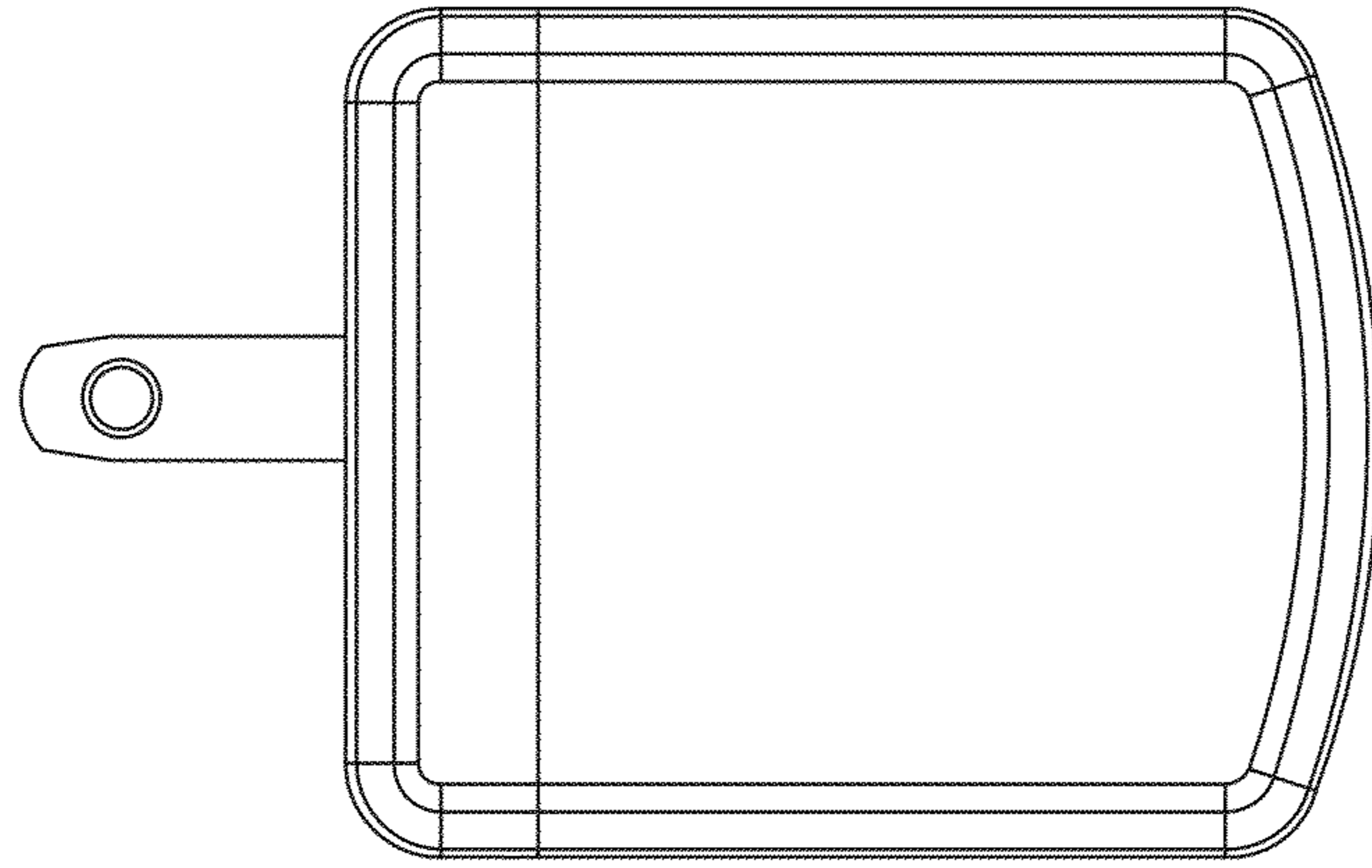


FIG. 3

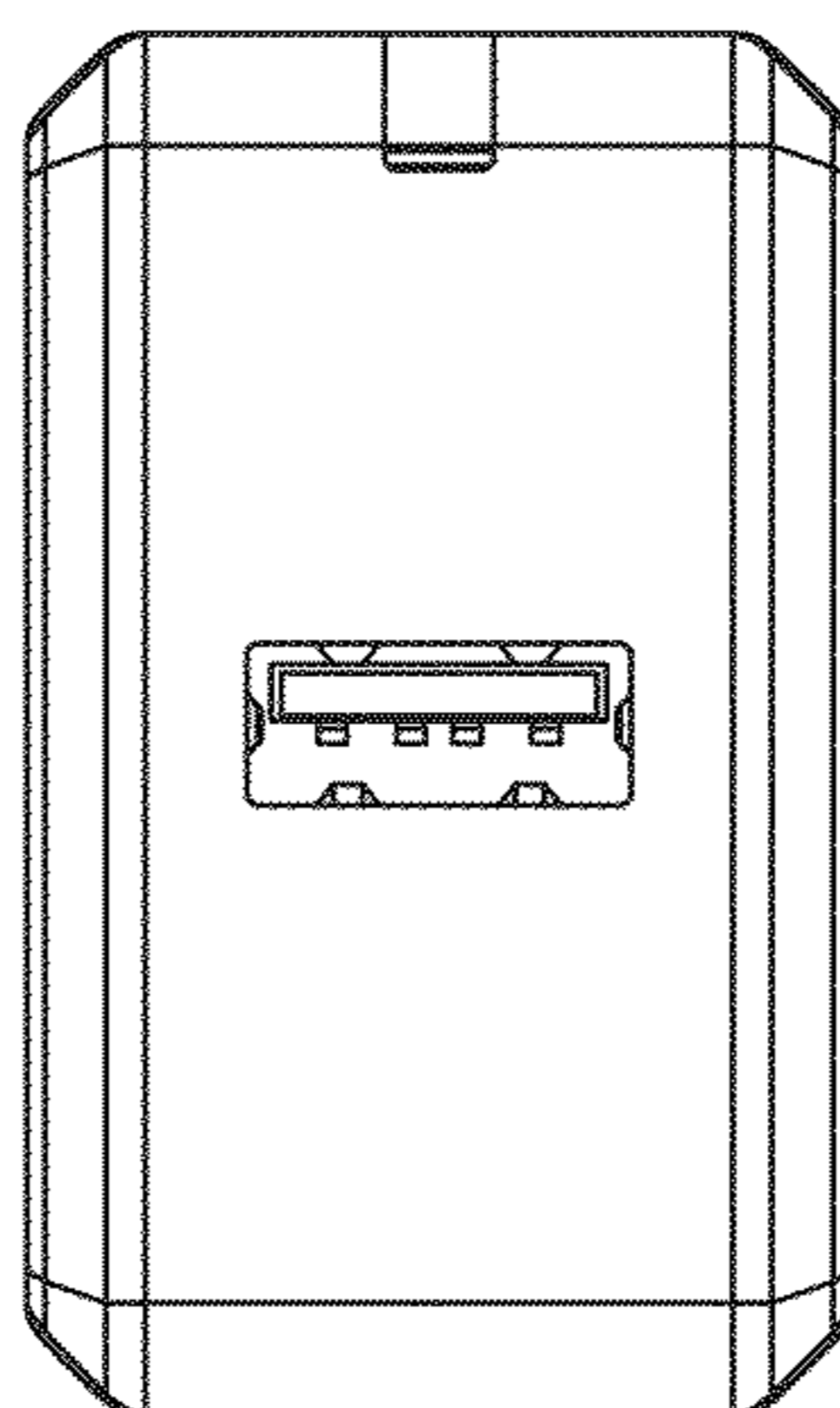


FIG. 4

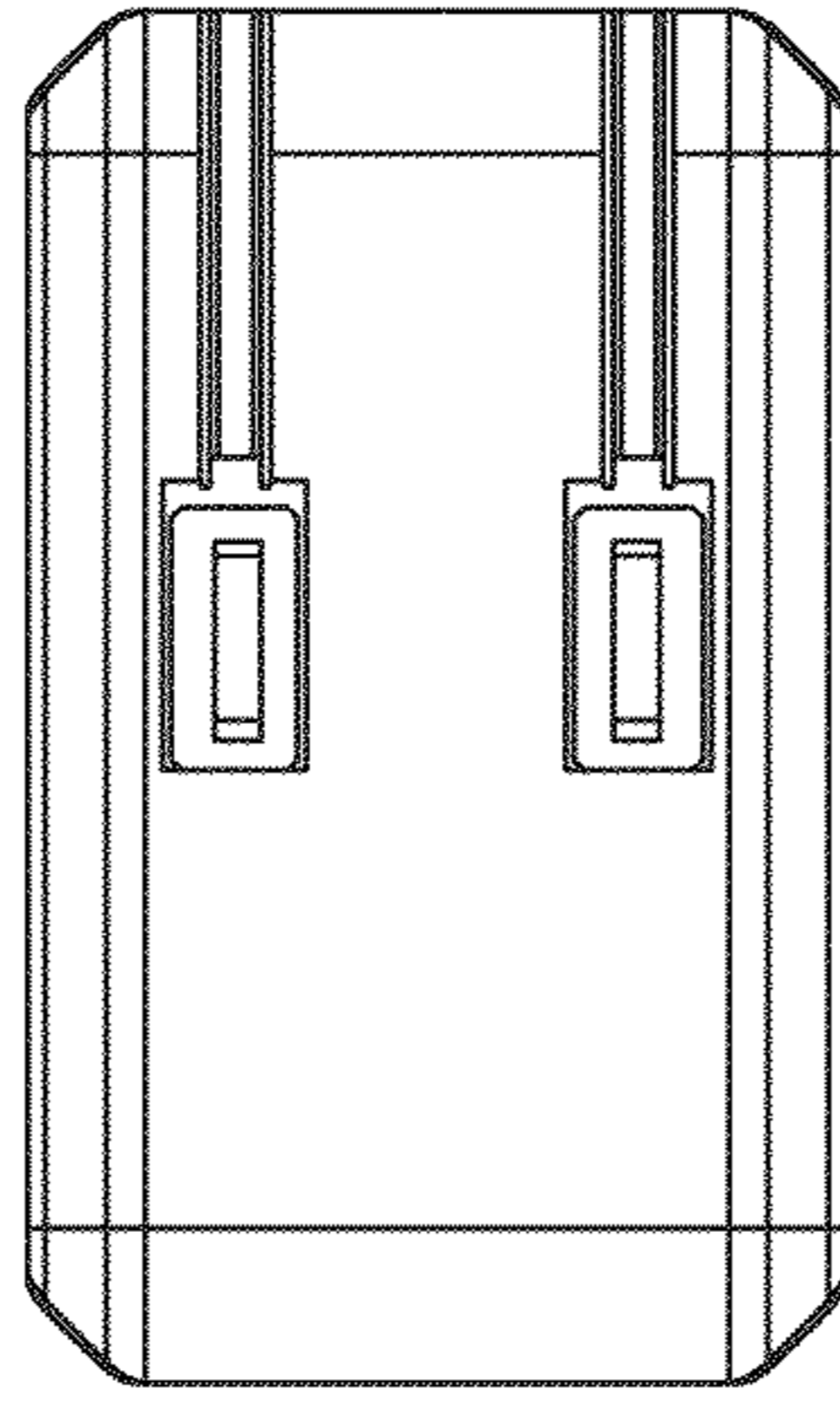


FIG. 5

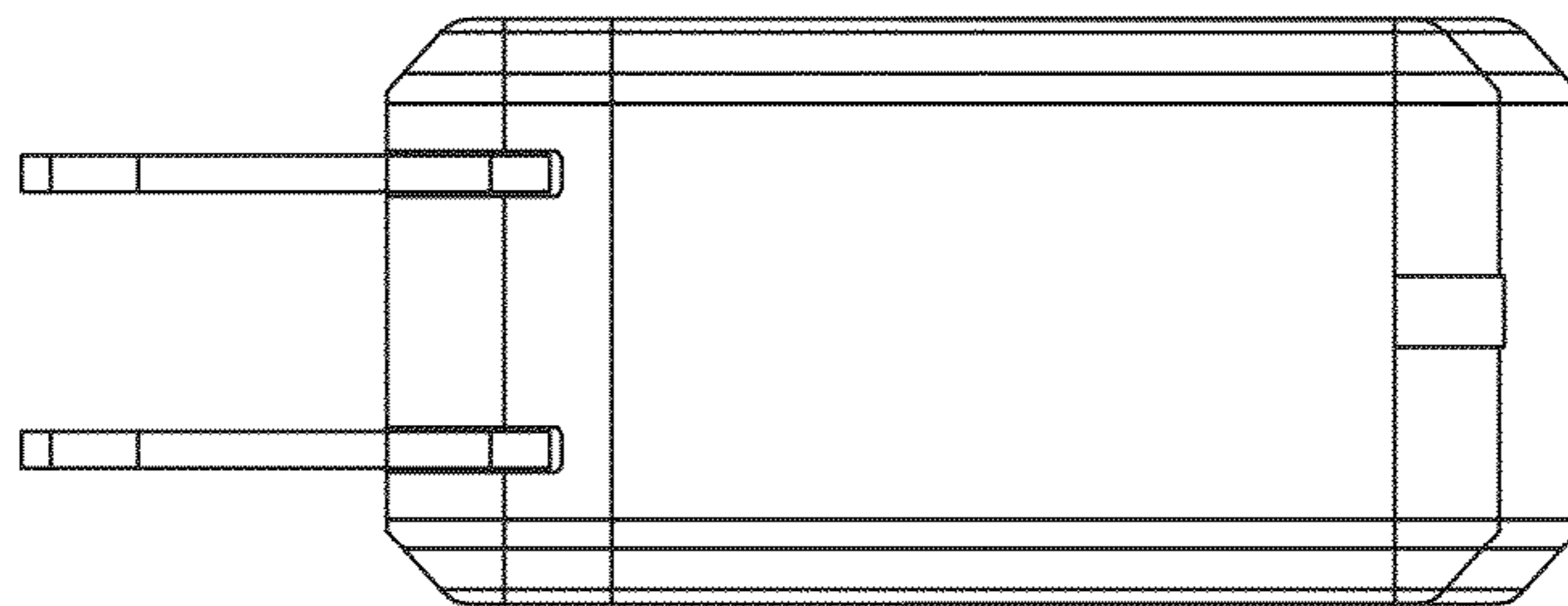


FIG. 6

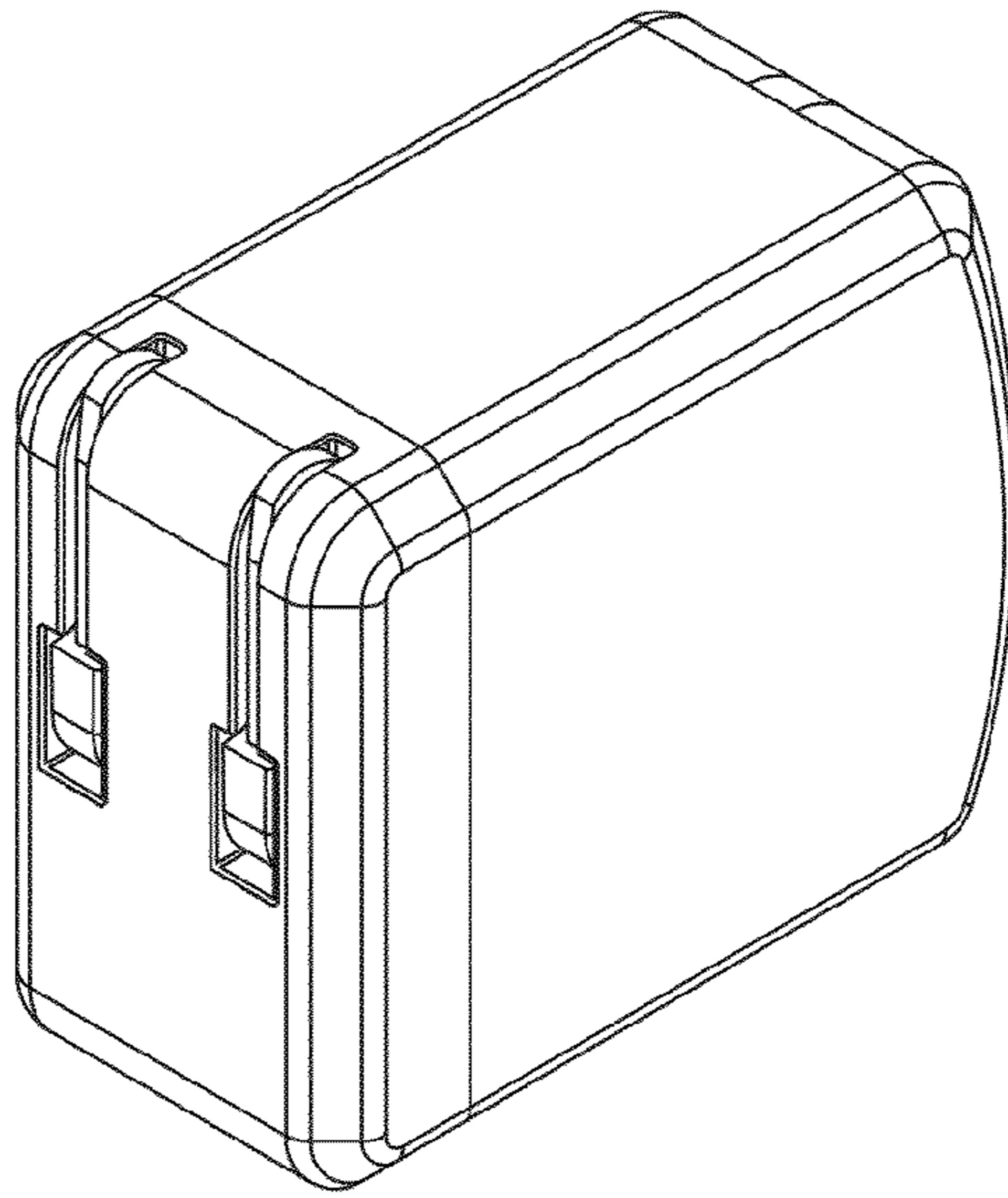


FIG. 7

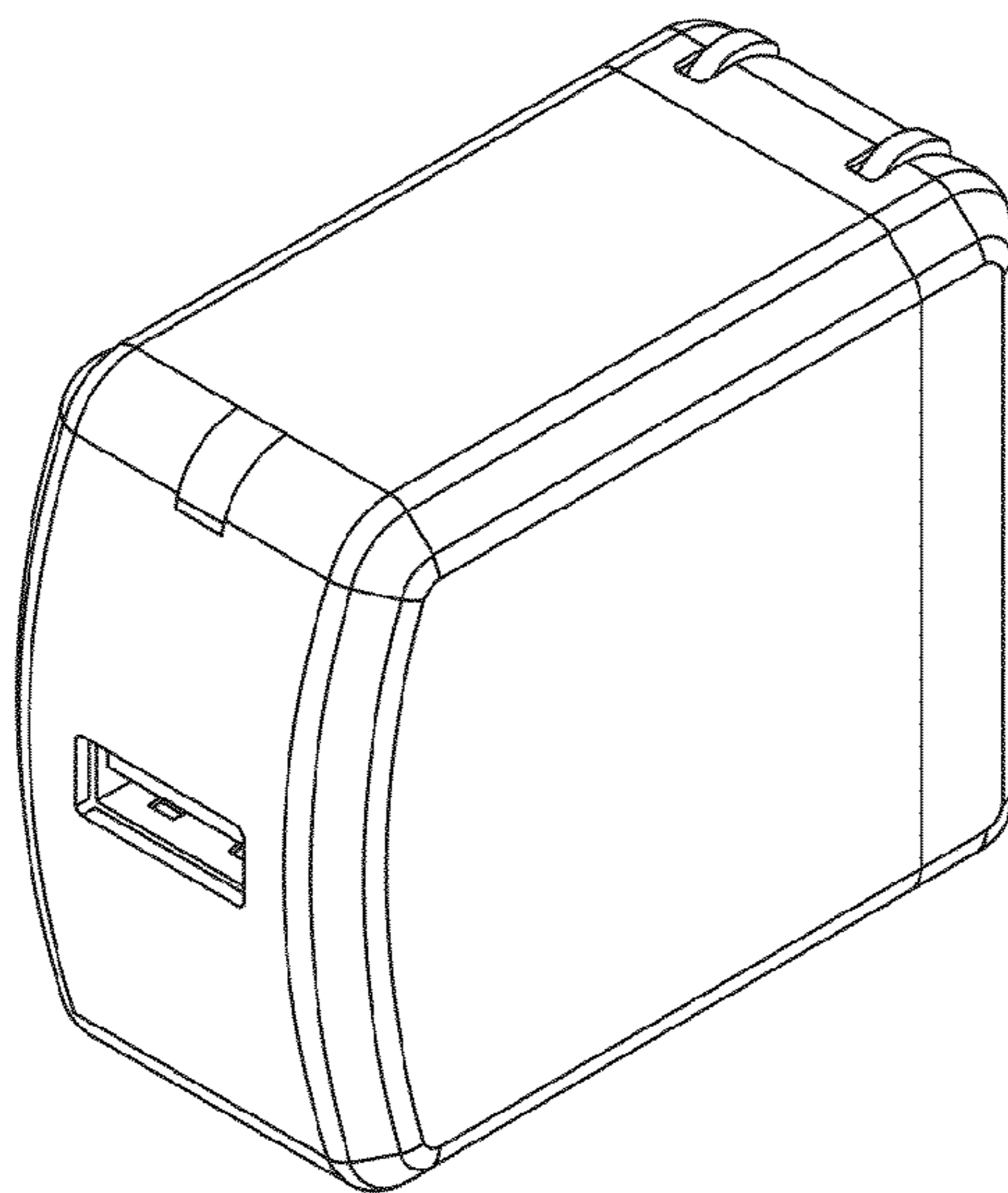


FIG. 8

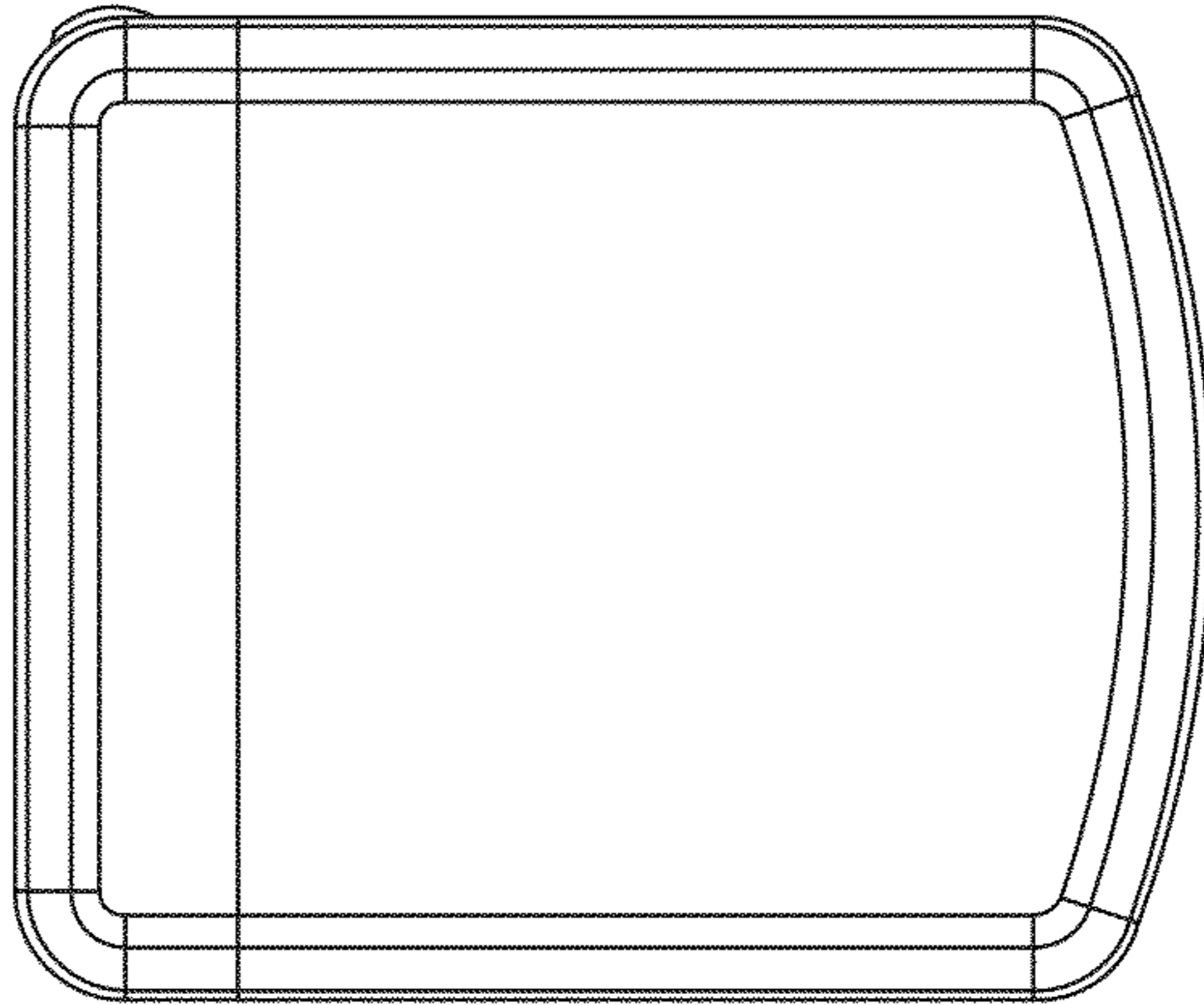


FIG. 9

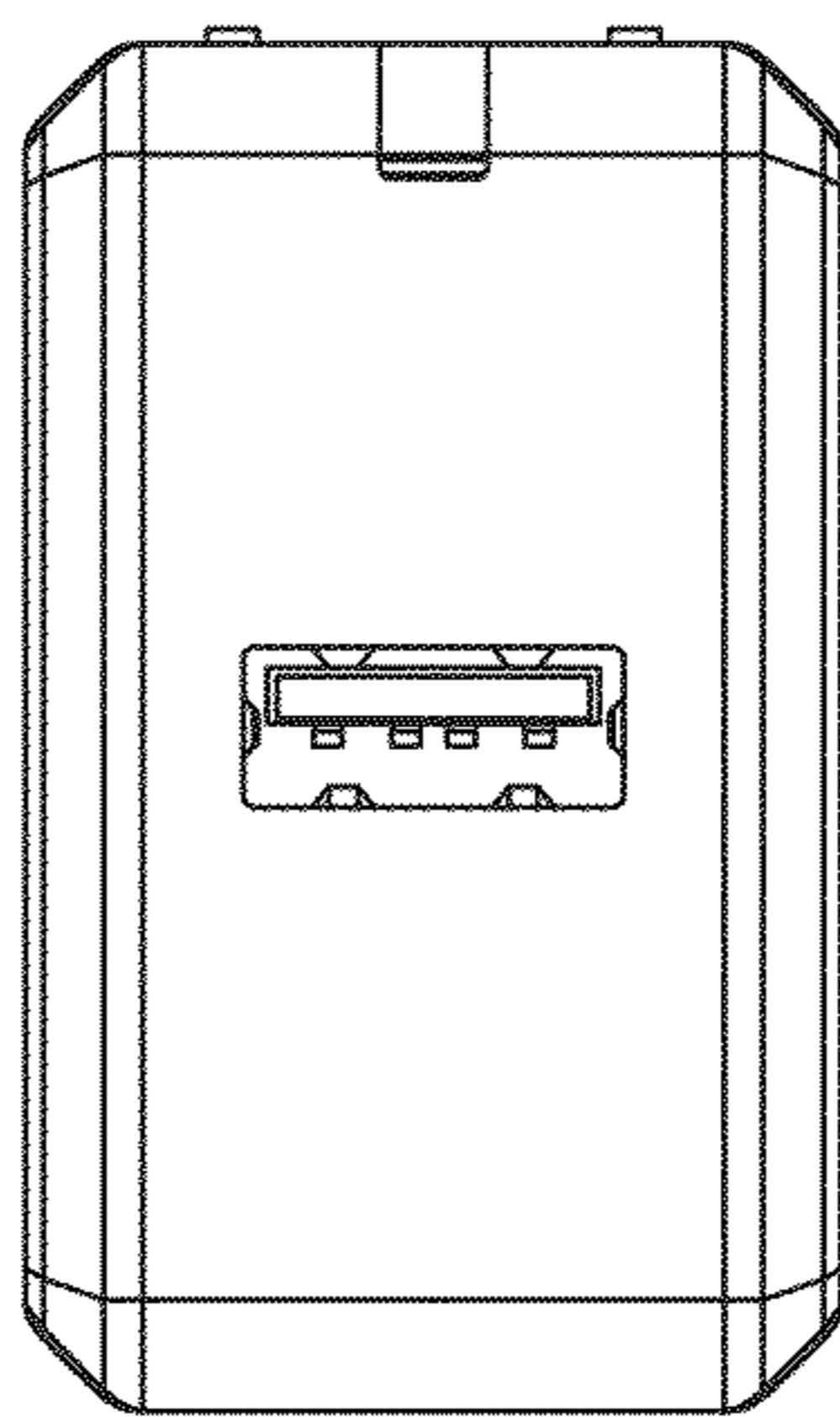


FIG. 10

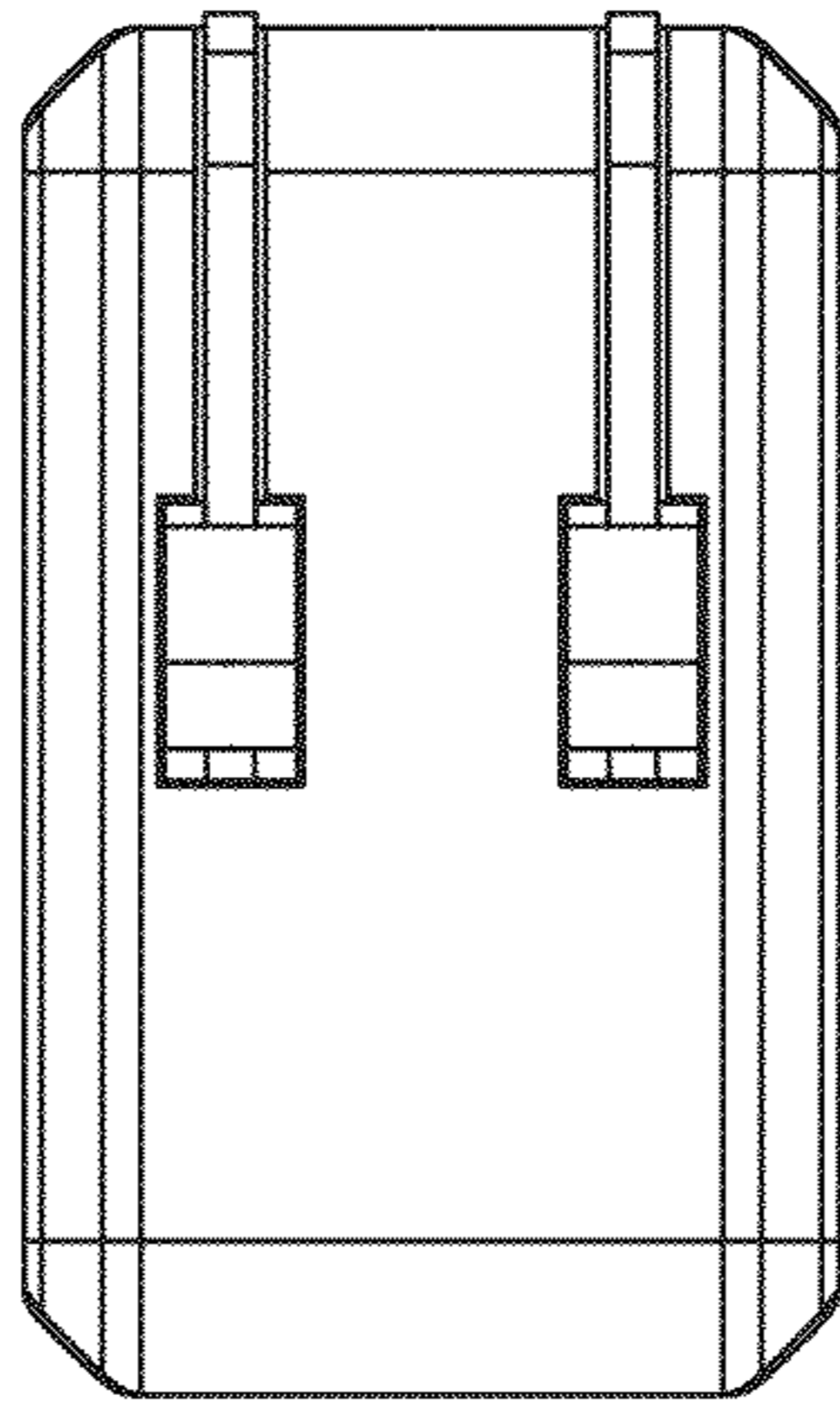


FIG. 11

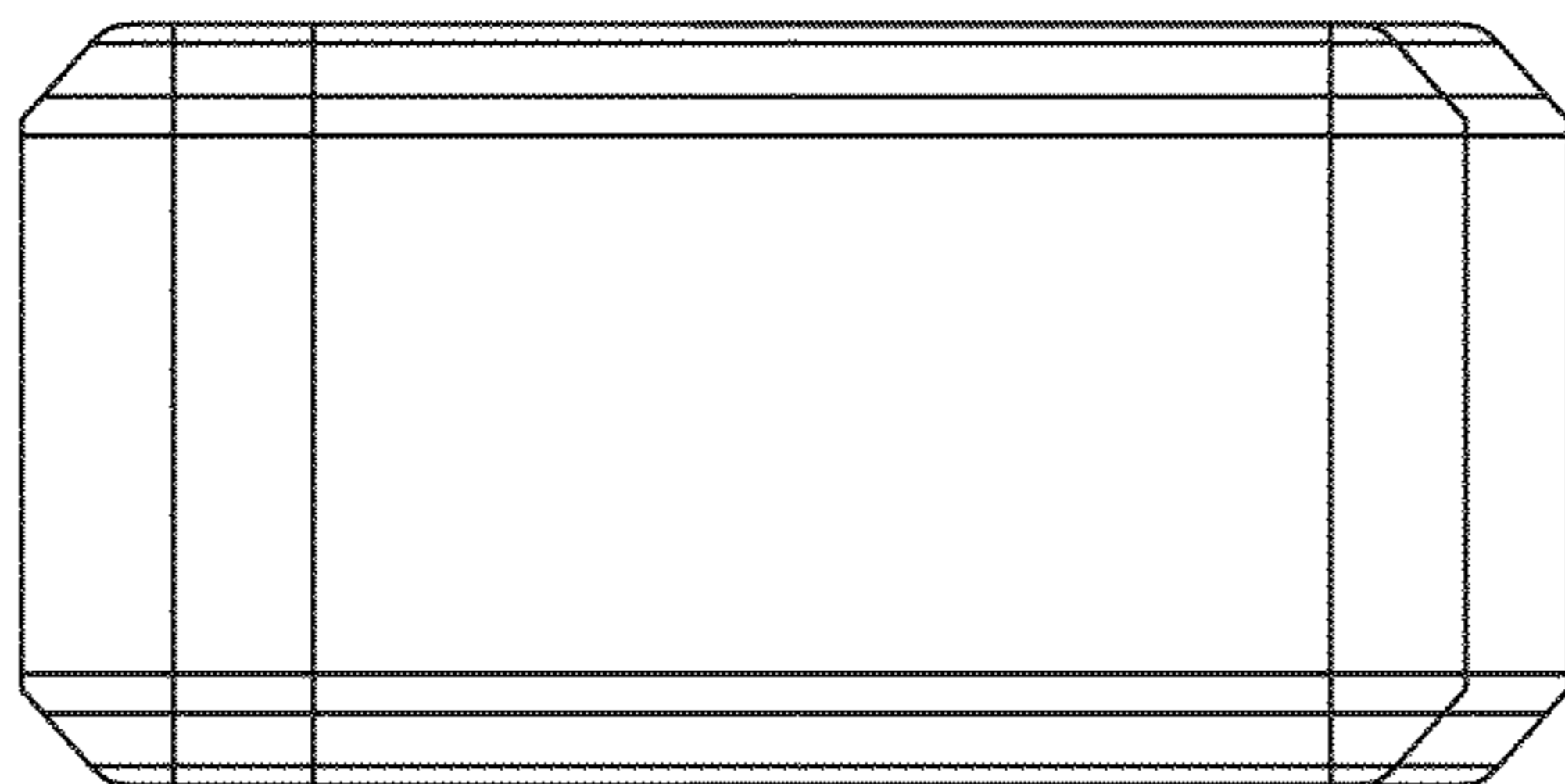


FIG. 12

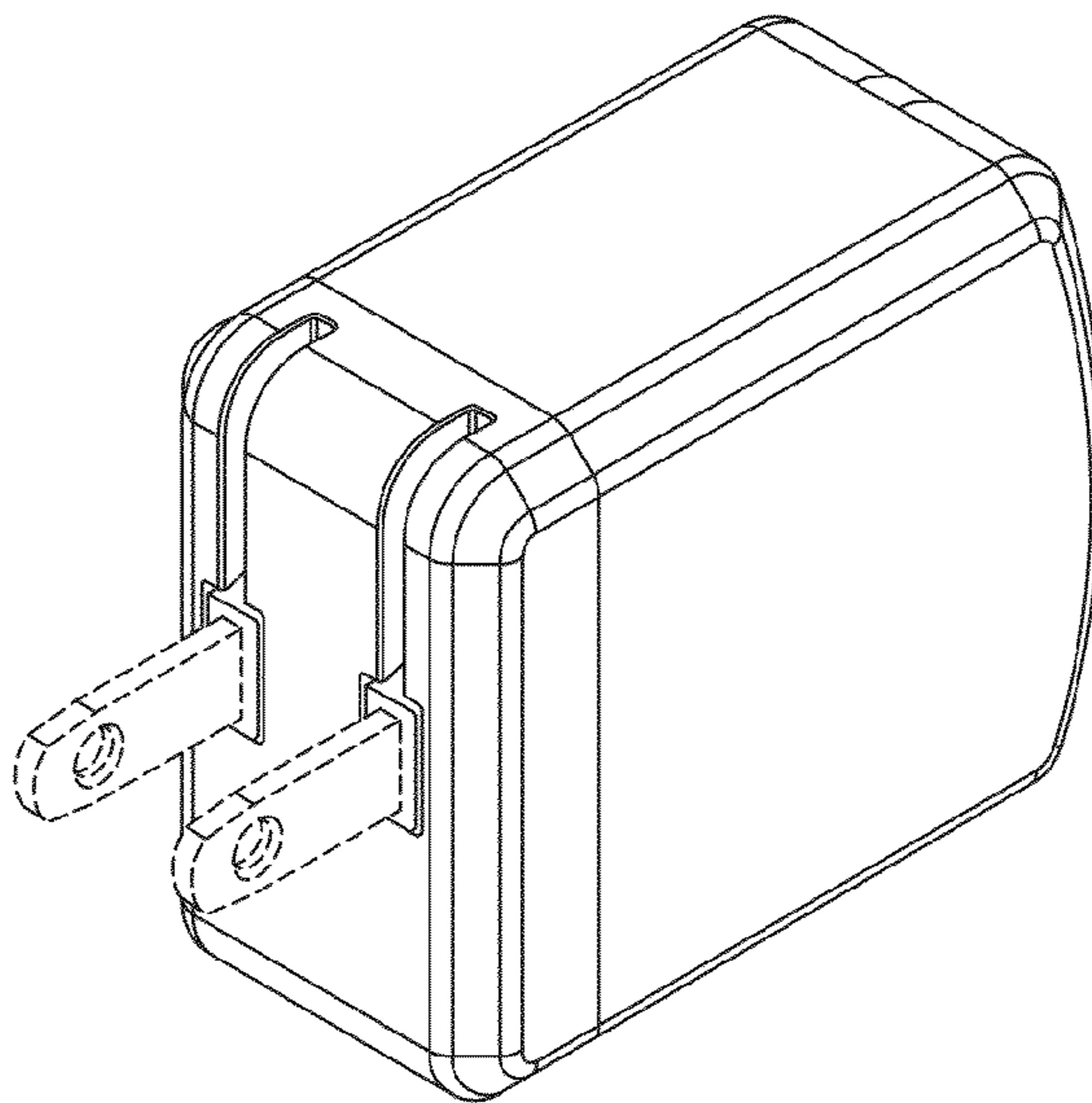


FIG. 13

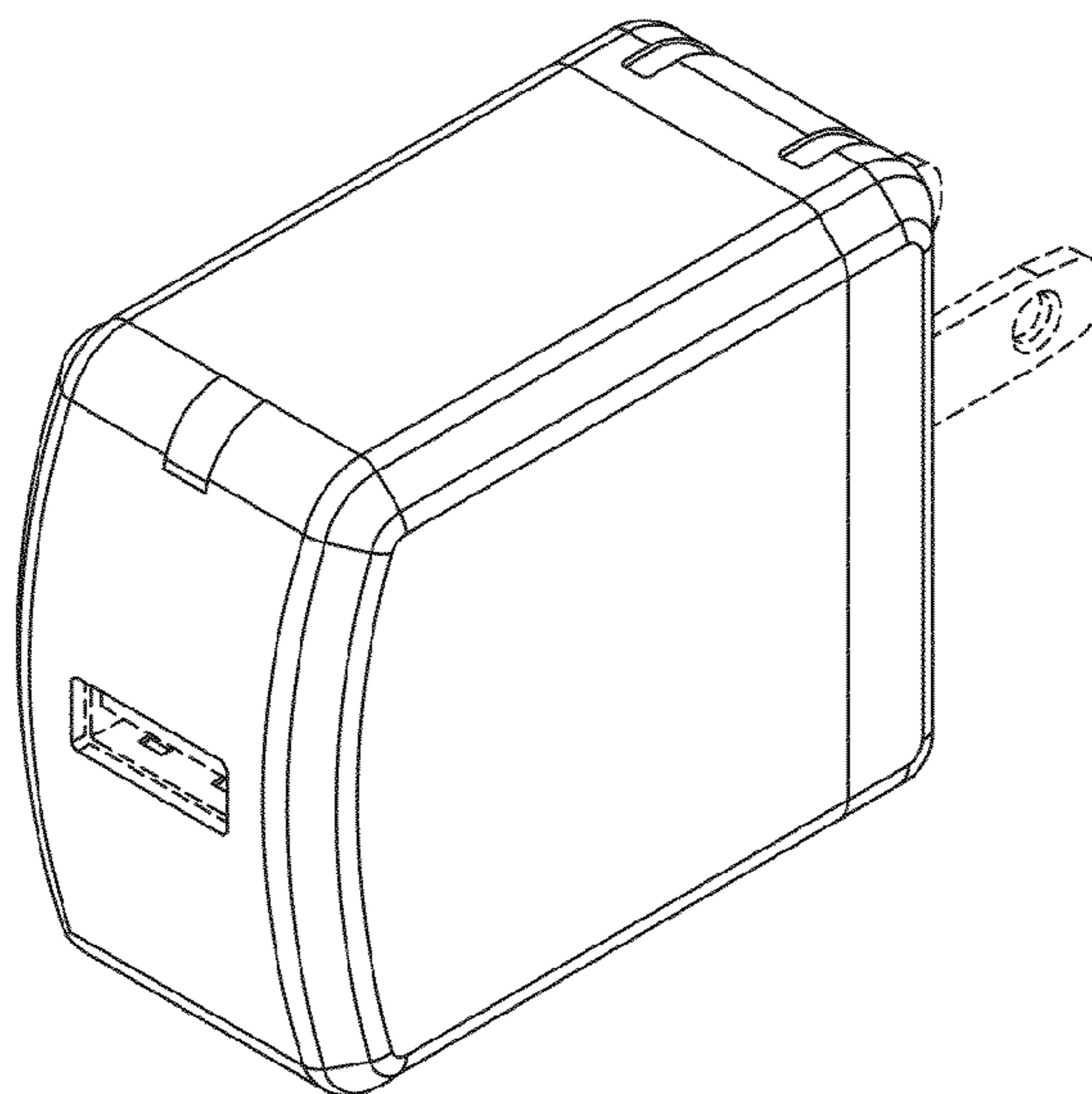


FIG. 14

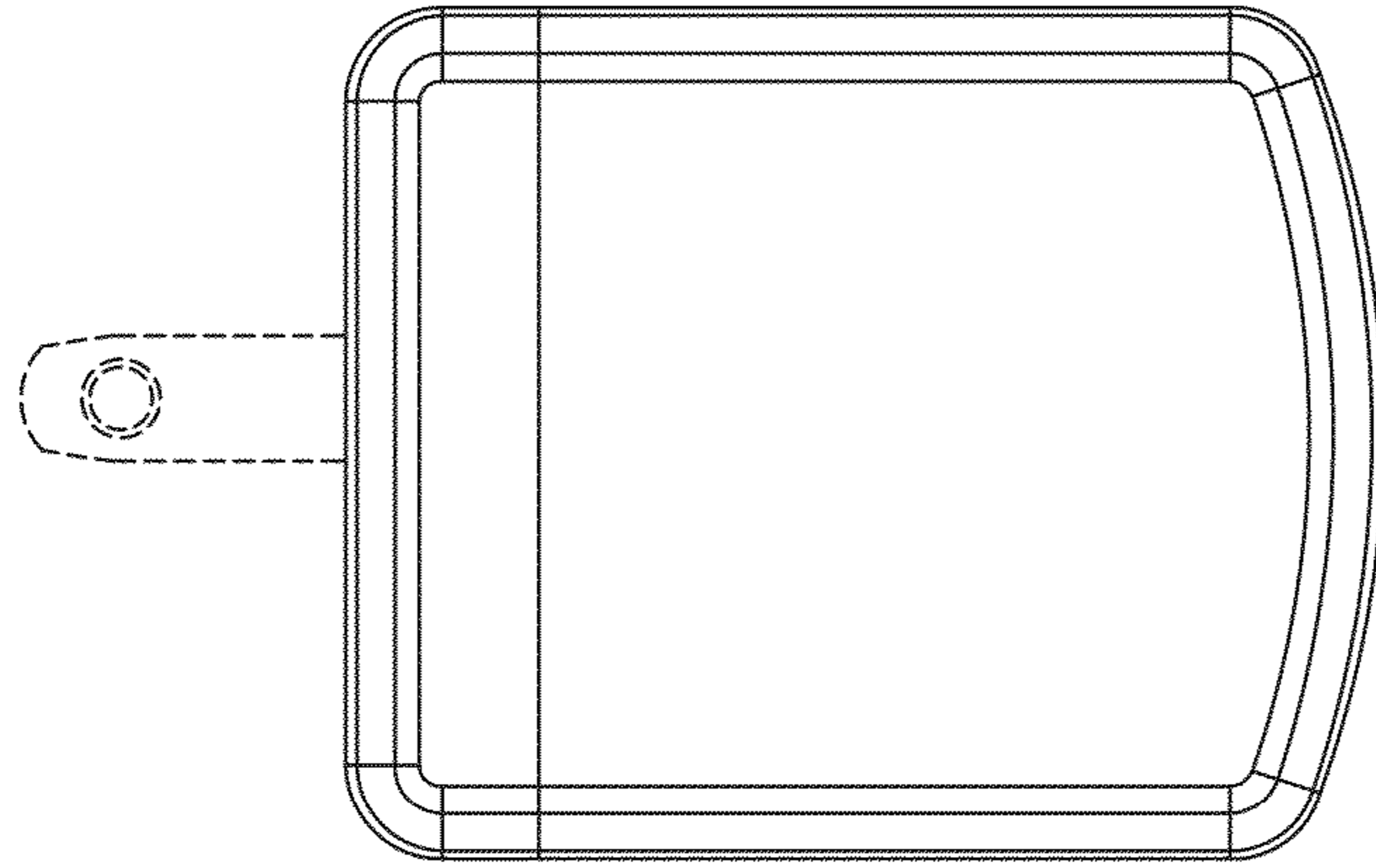


FIG. 15

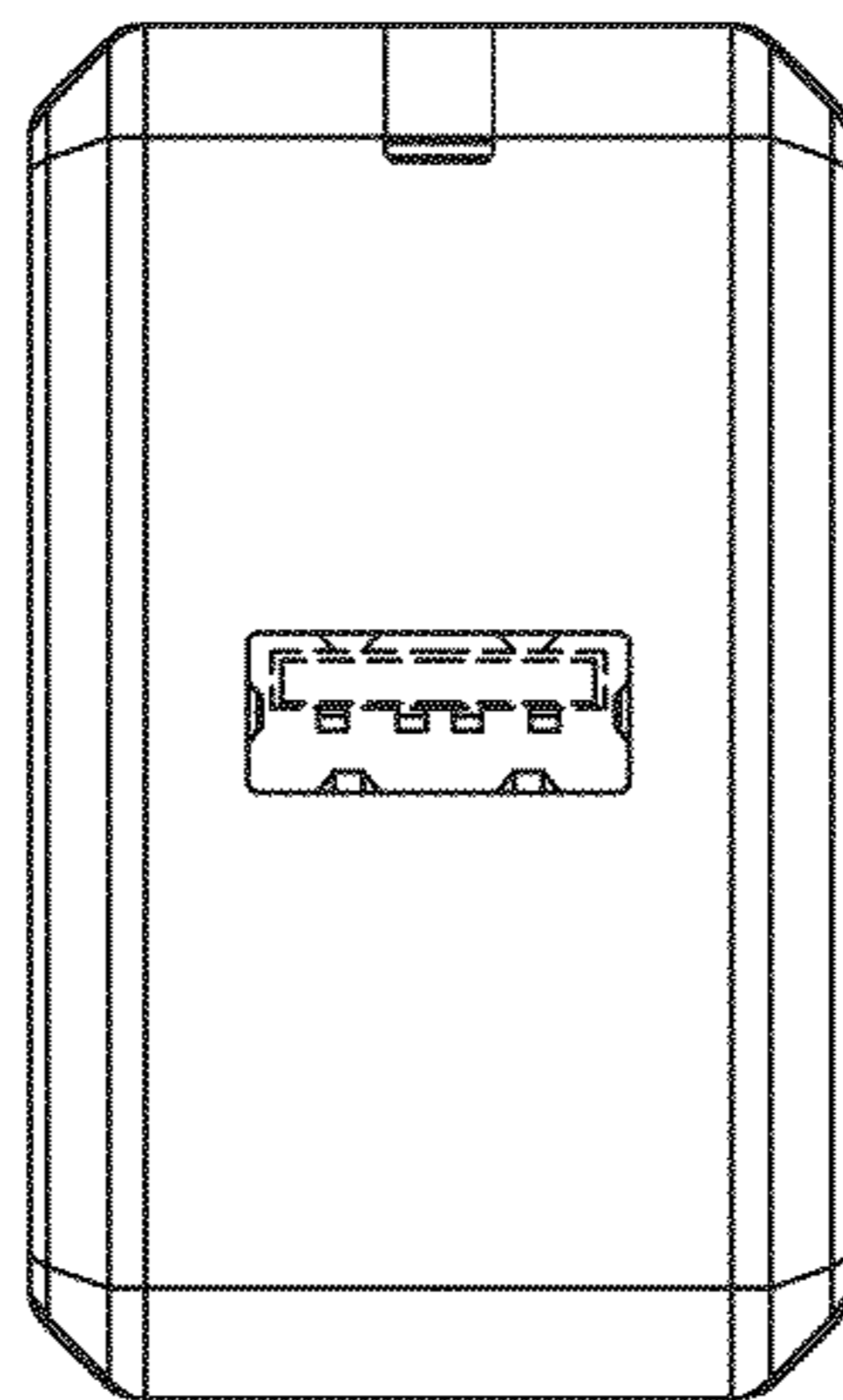


FIG. 16

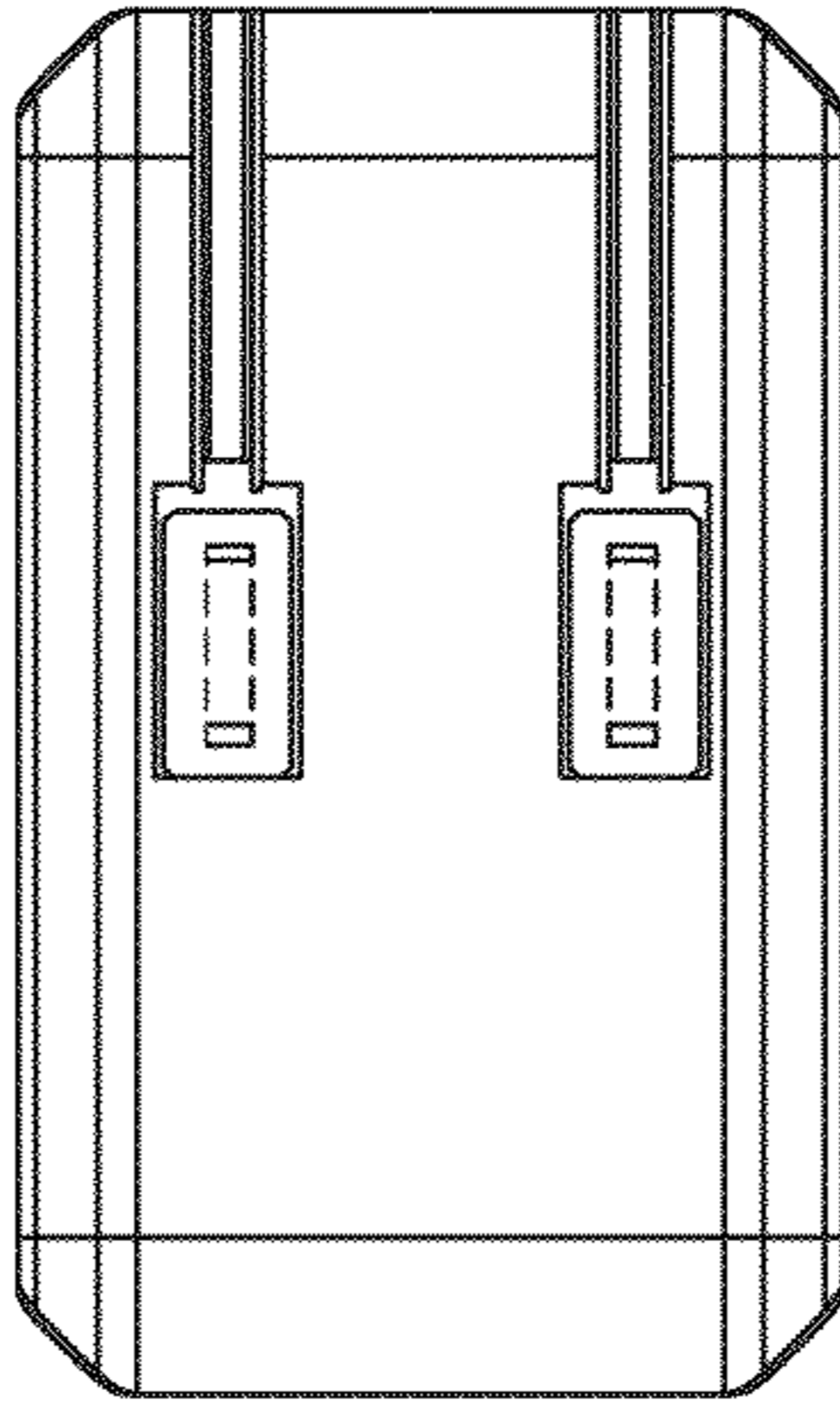


FIG. 17

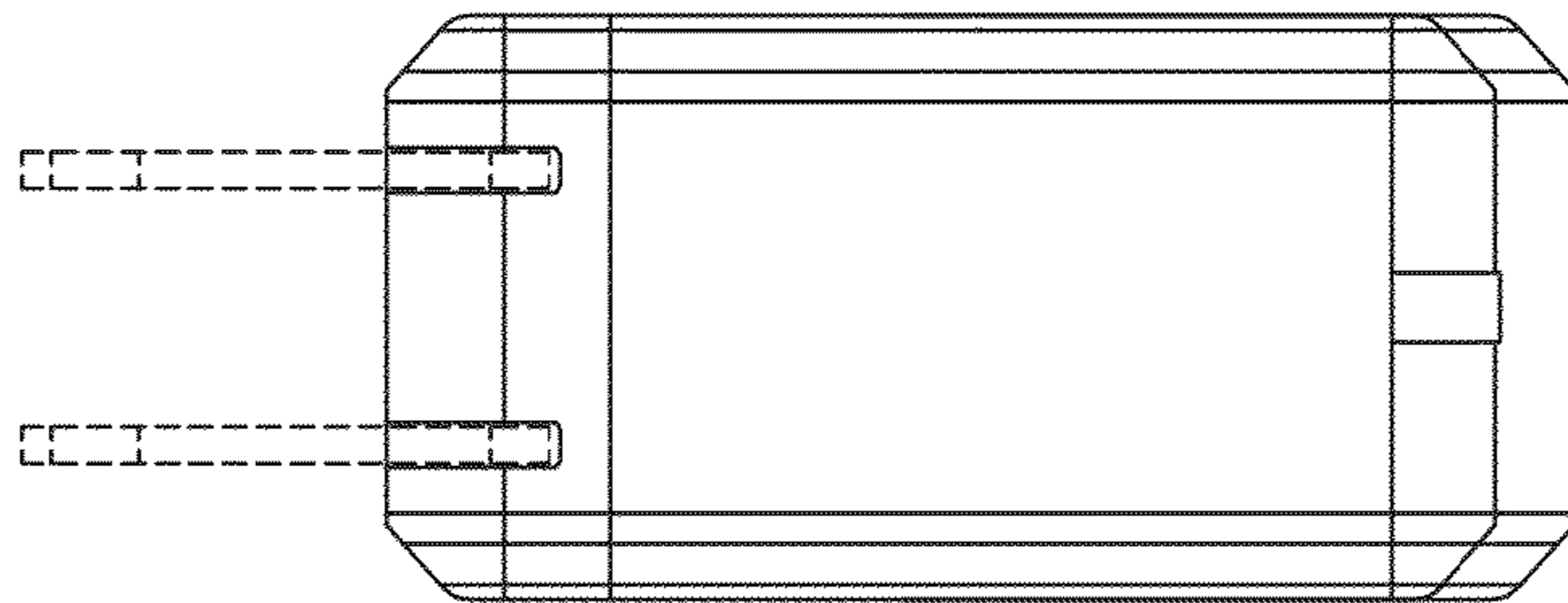


FIG. 18