



US00D731967S

(12) **United States Design Patent**
Tuhkanen

(10) **Patent No.:** **US D731,967 S**
(45) **Date of Patent:** **** Jun. 16, 2015**

(54) **MEASURING APPARATUS**

(71) Applicant: **HEALTH CARE SUCCESS OY LTD,**
Helsinki (FI)

(72) Inventor: **Petri Tuhkanen,** Helsinki (FI)

(73) Assignee: **HEALTH CARE SUCCESS OY LTD.,**
Helsinki (FI)

(**) Term: **14 Years**

(21) Appl. No.: **29/459,989**

(22) Filed: **Jul. 5, 2013**

(30) **Foreign Application Priority Data**

Jan. 4, 2013 (EM) 002161711-0002

(51) **LOC (10) Cl.** **13-07**

(52) **U.S. Cl.**
USPC **D13/108**

(58) **Field of Classification Search**
USPC D10/46; D13/107-109
CPC H02J 7/0045; H02J 7/0047; H02J 7/0052;
H02J 7/0042; H02J 7/0055; H02J 7/0021;
H02J 7/0044; H02J 7/0054; H02J 2007/006;
H02J 2007/005; H02J 2007/0049

See application file for complete search history.

(56) **References Cited**

U.S. PATENT DOCUMENTS

D520,446	S	*	5/2006	Liu et al.	D13/108
D663,686	S	*	7/2012	Yang	D13/108
D664,918	S	*	8/2012	Brandys et al.	D13/107
D676,377	S	*	2/2013	Nokuo	D13/108
D682,199	S	*	5/2013	Rautiainen	D13/108
D720,288	S	*	12/2014	Ko	D13/108
D722,043	S	*	2/2015	Requa	D13/108
2005/0245793	A1	*	11/2005	Hilton et al.	600/300
2007/0182372	A1	*	8/2007	Yang	320/114
2013/0187606	A1	*	7/2013	Ting	320/114
2014/0203767	A1	*	7/2014	Wang	320/108

* cited by examiner

Primary Examiner — Antoine D Davis

(74) *Attorney, Agent, or Firm* — Young & Thompson

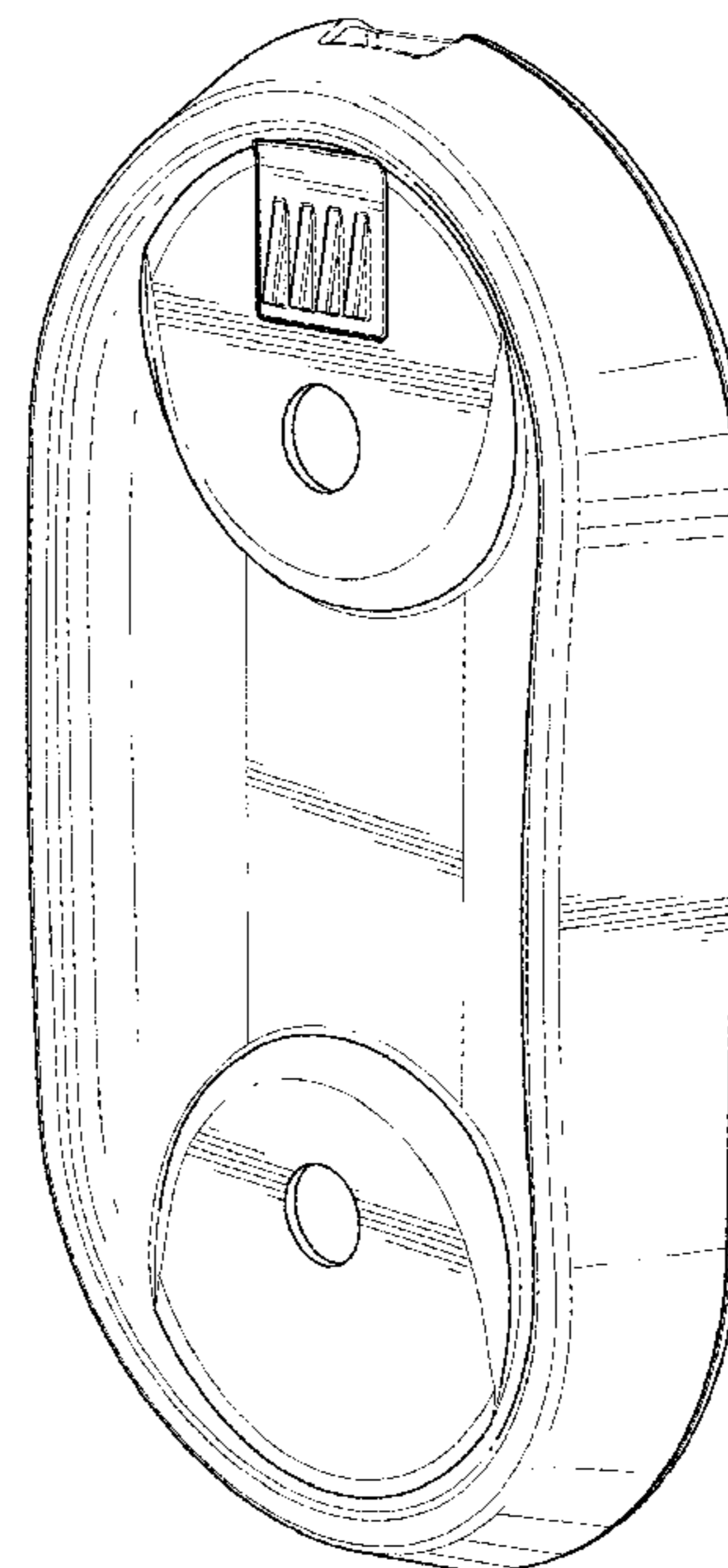
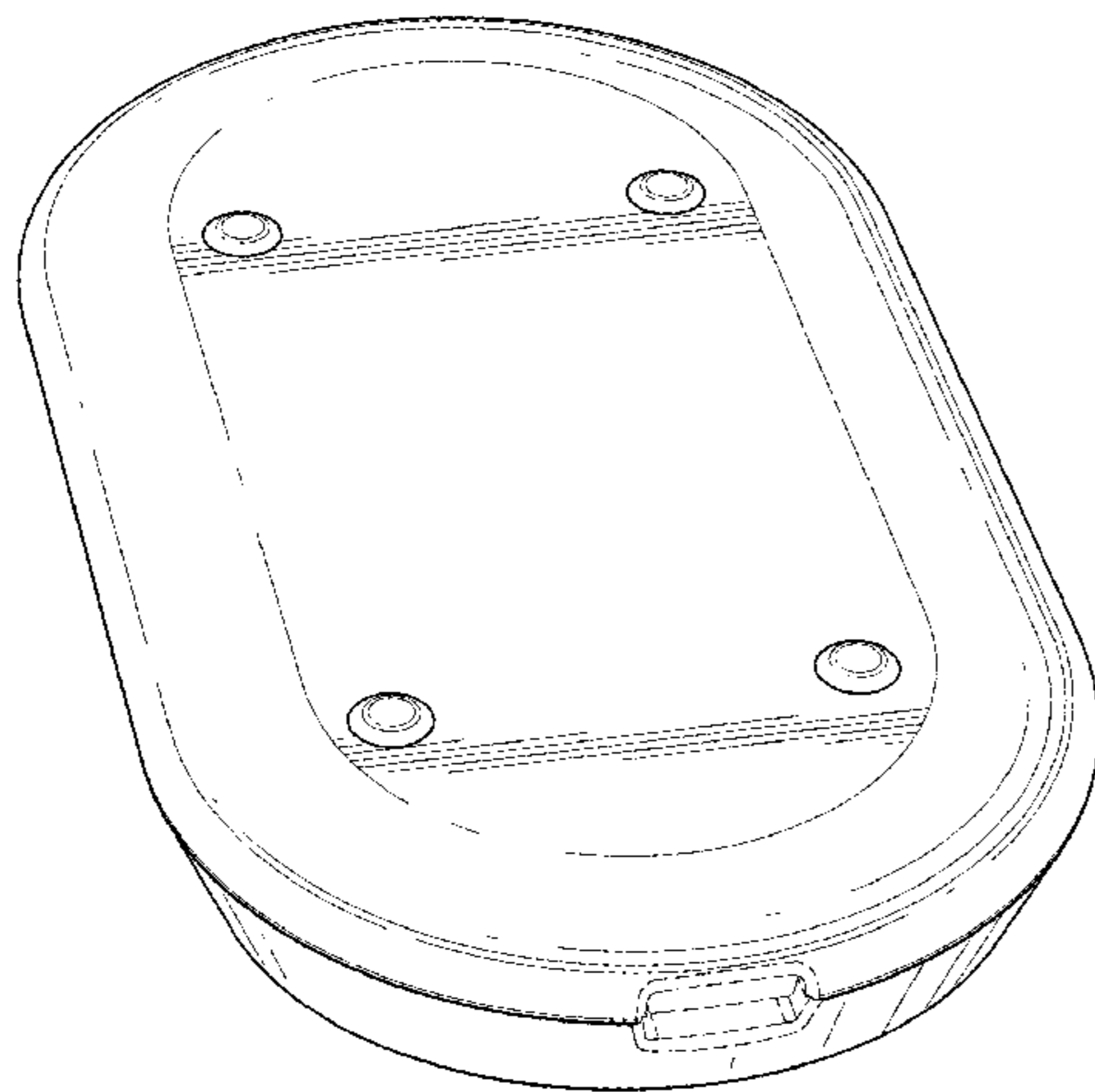
(57) **CLAIM**

The ornamental design for a measuring apparatus, as shown and described.

DESCRIPTION

FIG. 1 is a bottom, left side perspective view of a measuring apparatus showing the new design;
FIG. 2 is a top, left side, front perspective view thereof;
FIG. 3 is a top, left side perspective view thereof;
FIG. 4 is a top plan view thereof;
FIG. 5 is a bottom plan view thereof;
FIG. 6 is a left side elevation view thereof;
FIG. 7 is a right side elevation view thereof; and,
FIG. 8 is a rear elevation view thereof.
The portions of the design shown in broken lines show unclaimed subject matter.

1 Claim, 5 Drawing Sheets



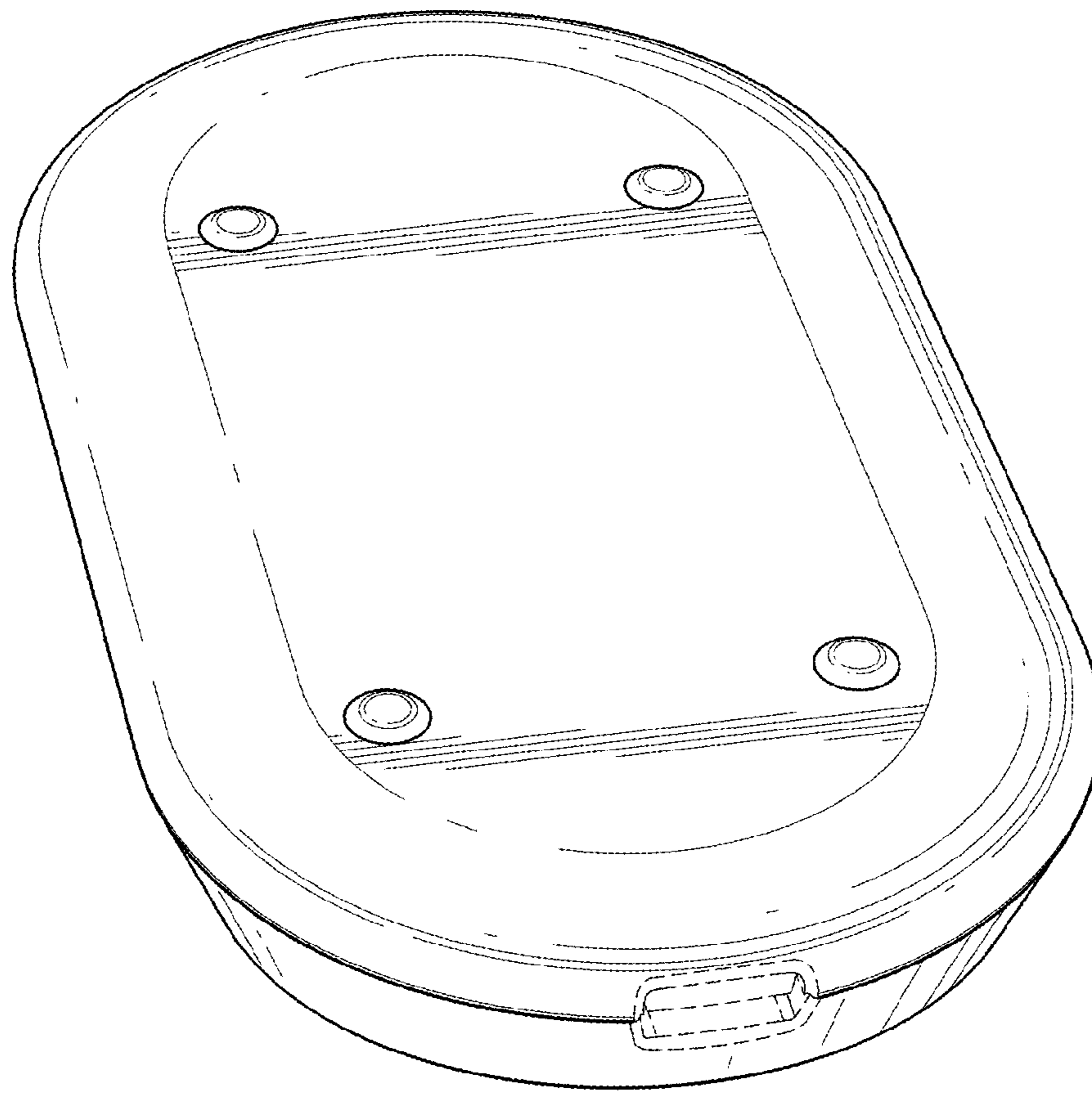


FIG. 1

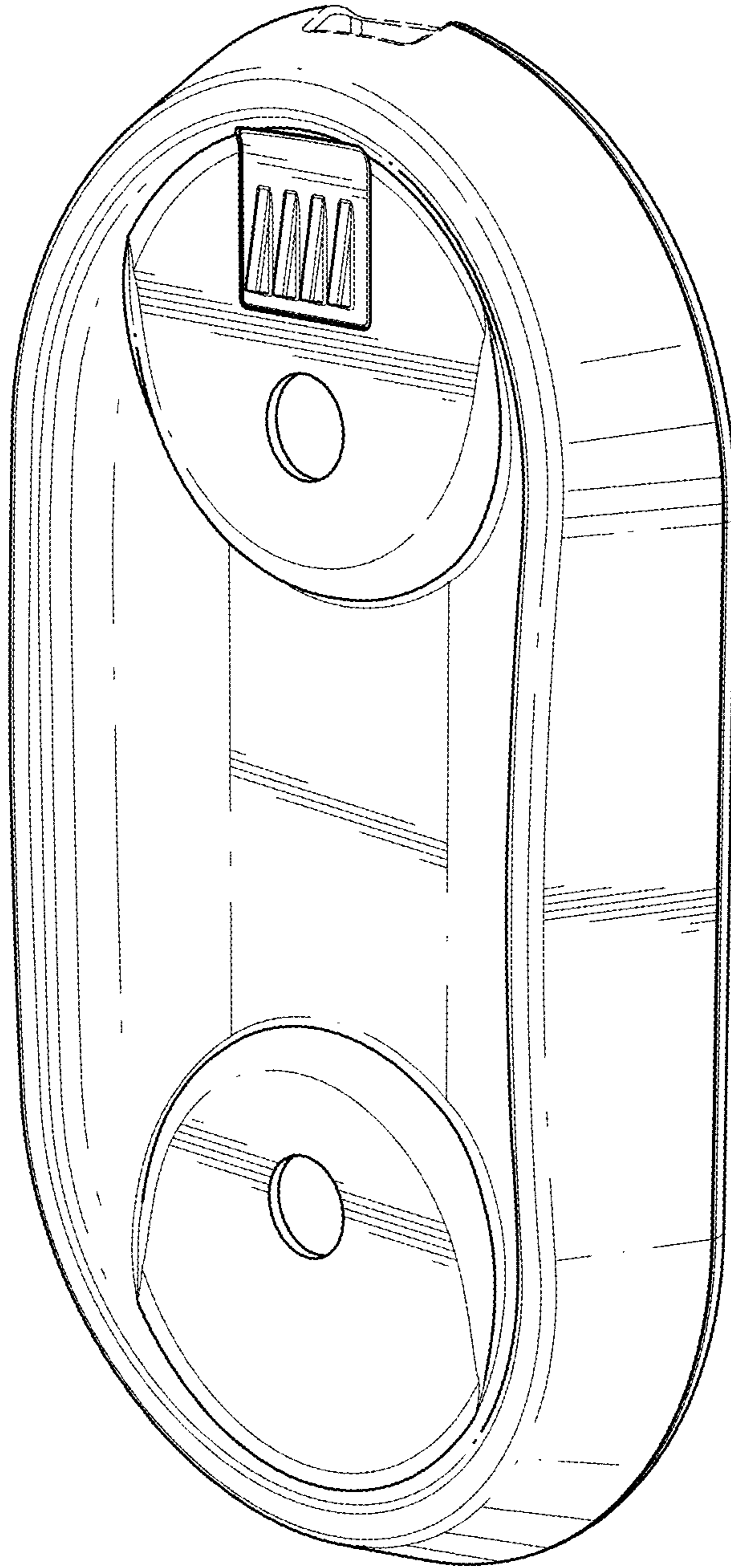


FIG. 2

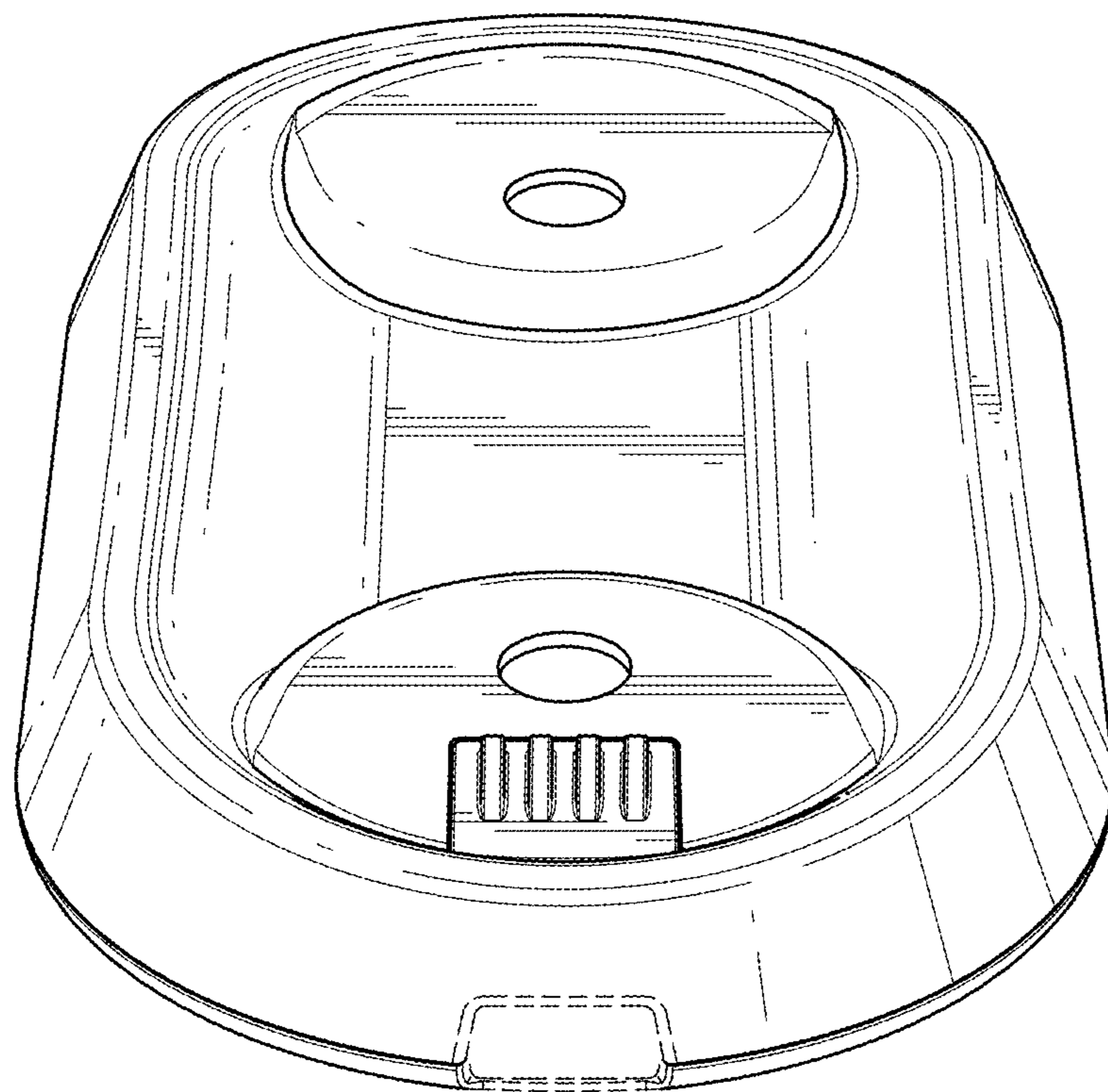


FIG. 3

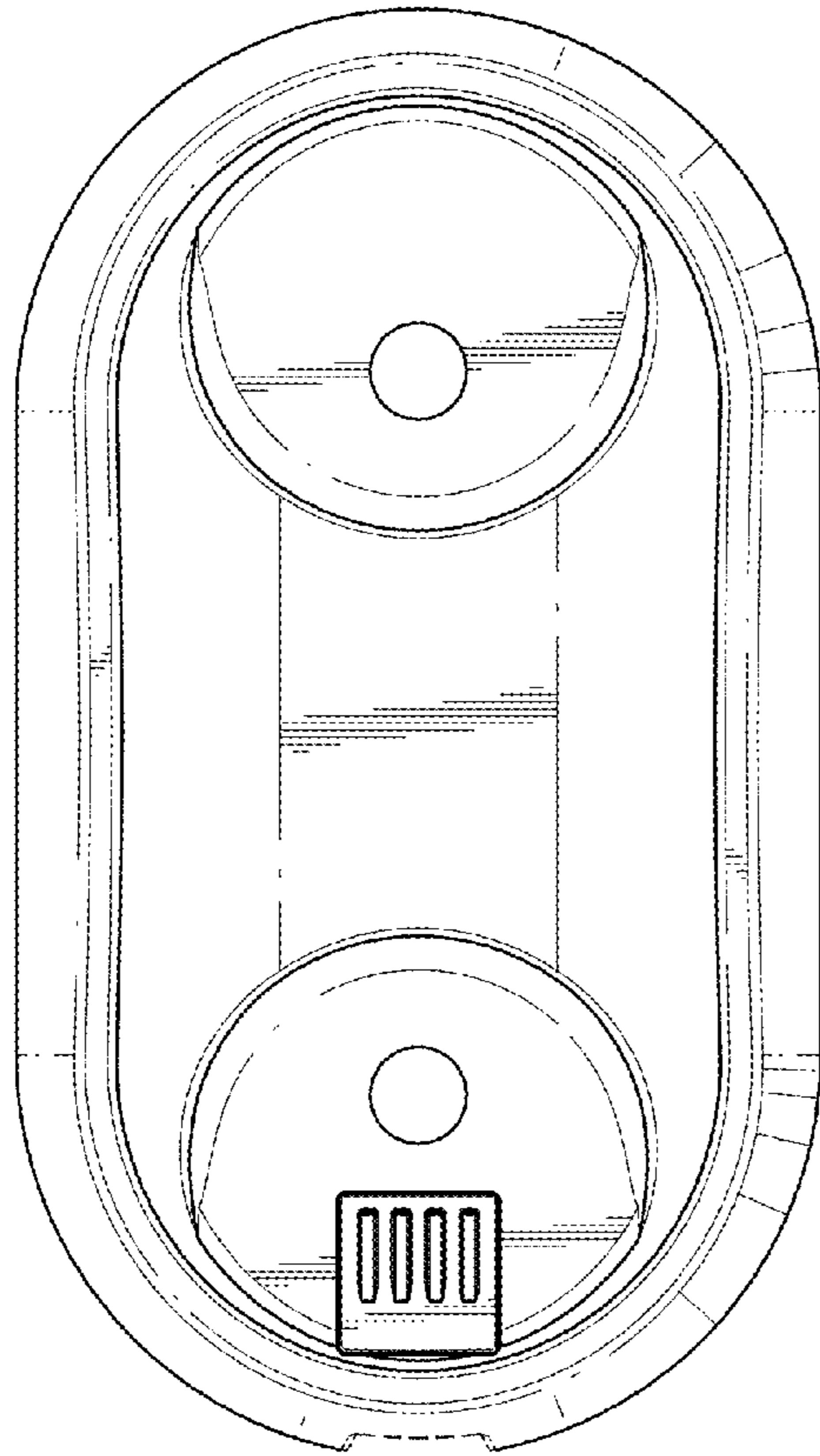


FIG. 4

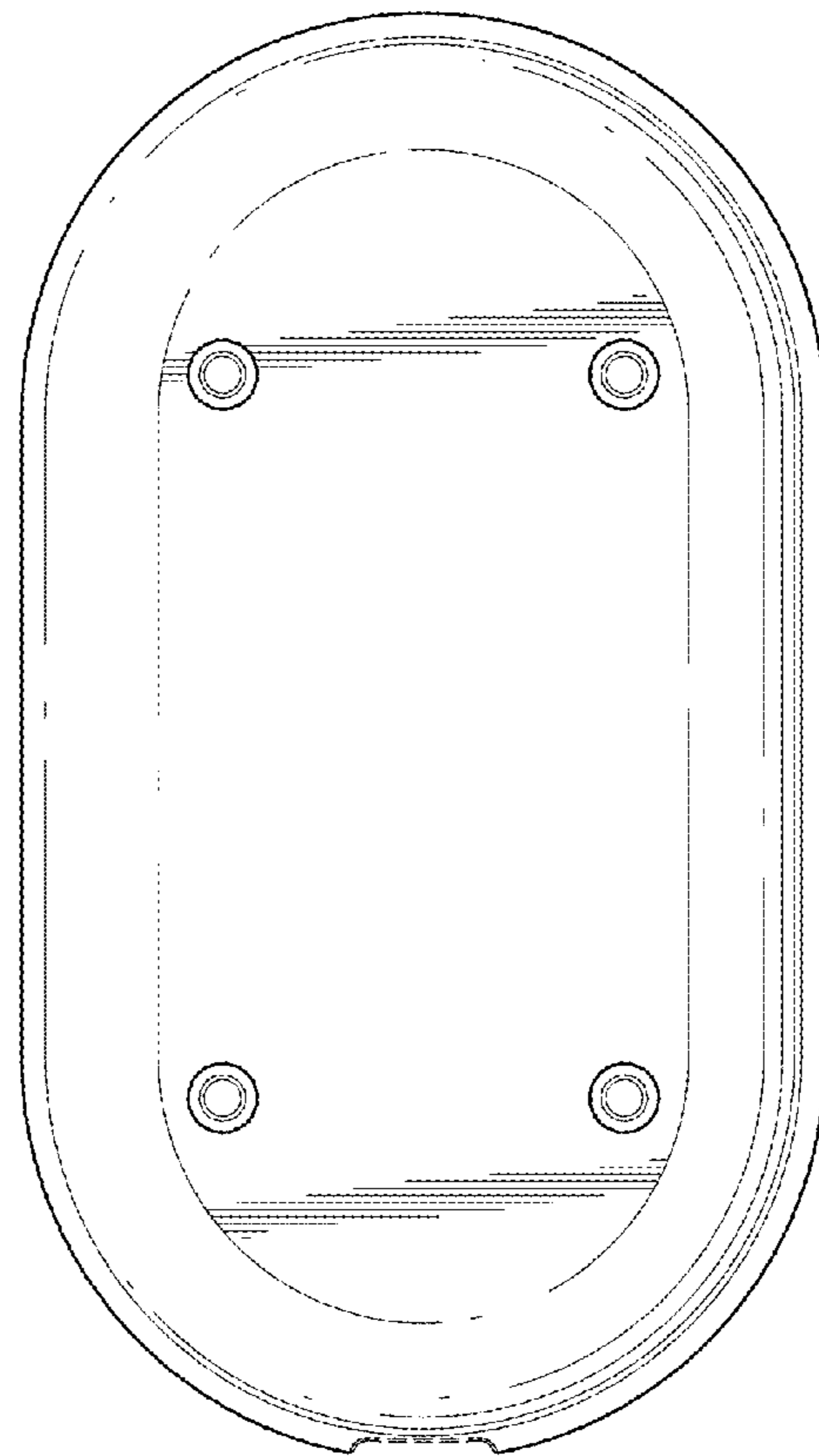


FIG. 5

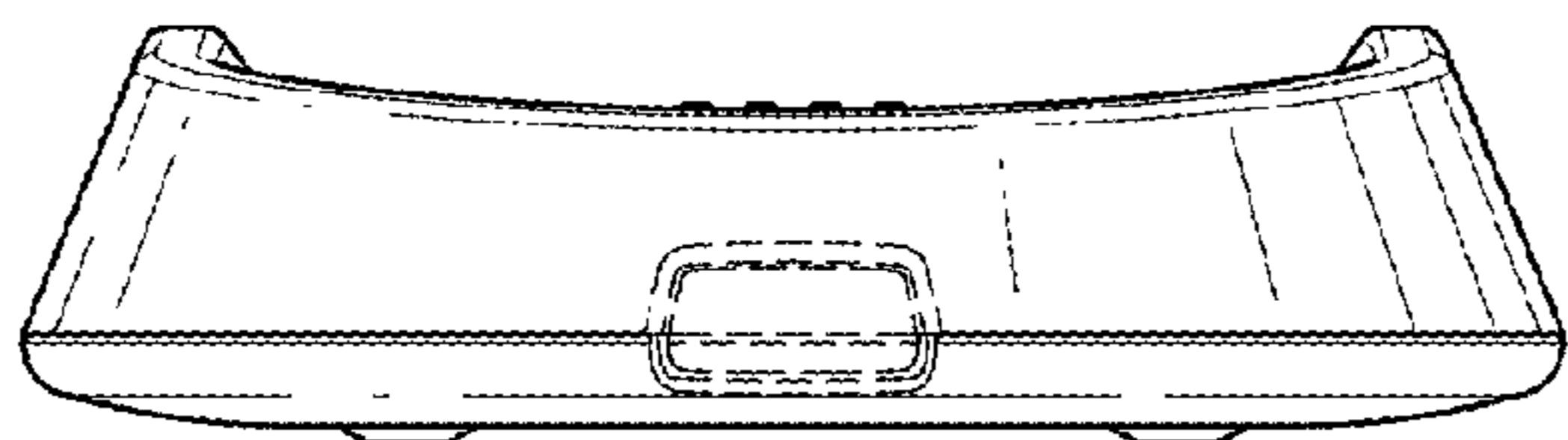


FIG. 6

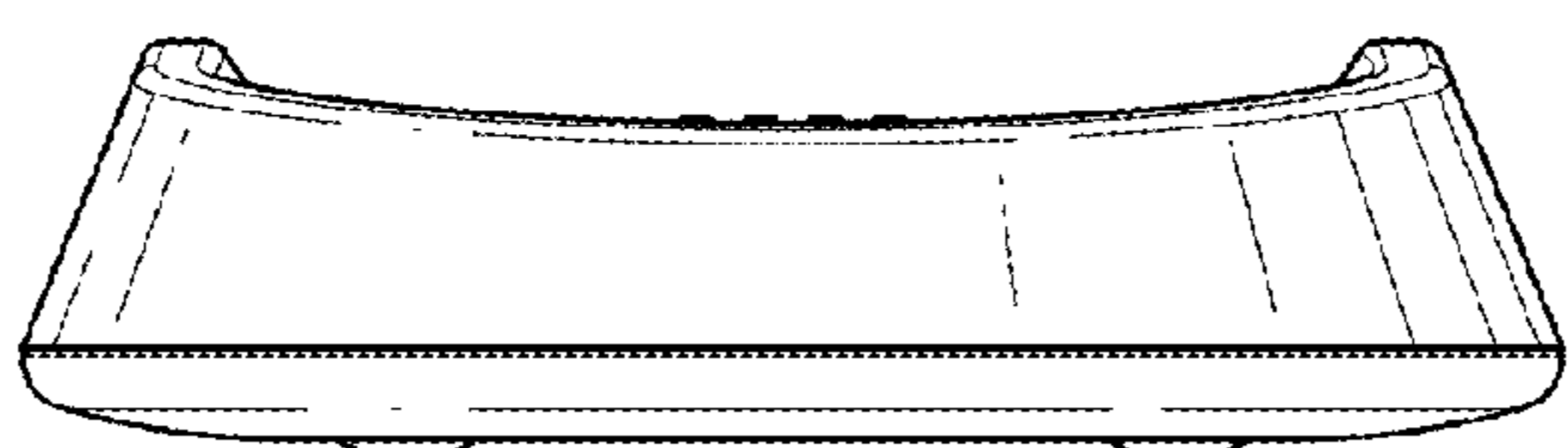


FIG. 7

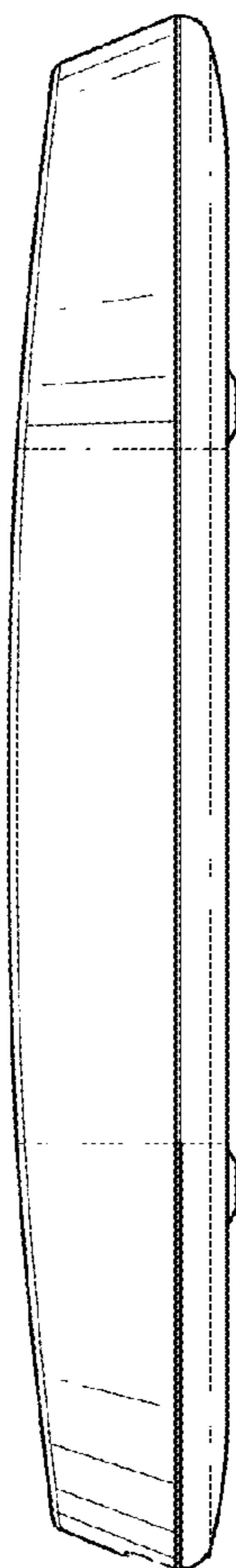


FIG. 8