



US00D731966S

(12) **United States Design Patent**
Rabalais et al.

(10) **Patent No.:** **US D731,966 S**
(45) **Date of Patent:** **** Jun. 16, 2015**

(54) **POWER SUPPLY FOR A BATTERY CHARGER**

- (71) Applicant: **The Gillette Company**, Boston, MA (US)
- (72) Inventors: **Brian Adam Rabalais**, New Milford, CT (US); **Eric Justin Price**, Wilton, CT (US); **Francisco Jose Restrepo**, Norwalk, CT (US); **Chen Jian**, ShenZhen (CN); **Zhang Yun**, ShenZhen (CN); **Paul Edward Backett**, Portland, OR (US); **David John Sayler**, Portland, OR (US); **Chunshik Kim**, Portland, OR (US)
- (73) Assignee: **The Gillette Company**, Boston, MA (US)

(**) Term: **14 Years**

(21) Appl. No.: **29/466,827**

(22) Filed: **Sep. 12, 2013**

(51) **LOC (10) Cl.** **13-02**

(52) **U.S. Cl.**
USPC **D13/107**

(58) **Field of Classification Search**
USPC D13/107-110, 118-119, 184, 199;
D14/251, 253, 432, 434
CPC H02J 7/025; H02J 7/0042; H02J 7/0044;
H02J 7/0045; H02J 7/0054; H02J 7/0003;
B60L 11/182; Y02E 60/12; Y02T 10/7005;
Y02T 10/7088; Y02T 90/14; Y02T 90/163;
Y02T 90/122; Y02T 90/128; H01M 2/1022;
H01M 2/1055; H01M 10/46; H01M 10/44;
H01M 10/425; H01F 38/14; H01R 13/6675
See application file for complete search history.

(56) **References Cited**

U.S. PATENT DOCUMENTS

| | | | | |
|--------------|---------|---------------|-------|-----------|
| D331,220 S * | 11/1992 | Tsuchiya | | D13/107 |
| D339,563 S * | 9/1993 | Usami | | D13/107 |
| D344,261 S | 2/1994 | Watanabe | | |
| D350,113 S | 8/1994 | Nagele | | |
| D357,224 S | 4/1995 | Nagele et al. | | |
| D367,257 S | 2/1996 | Buelow et al. | | |
| 5,611,701 A | 3/1997 | Hahn | | |
| 5,613,863 A | 3/1997 | Klaus et al. | | |
| D400,855 S * | 11/1998 | Lee | | D13/138.1 |
| D406,259 S * | 3/1999 | Lindahl | | D13/110 |
| D442,544 S * | 5/2001 | Ku | | D13/107 |

(Continued)

OTHER PUBLICATIONS

U.S. Appl. No. 29/466,829, filed Sep. 12, 2013, Brian A. Rabalais et al.

(Continued)

Primary Examiner — Rosemary K Tarcza
(74) *Attorney, Agent, or Firm* — Leo J. White; Kevin C. Johnson; Steven W. Miller

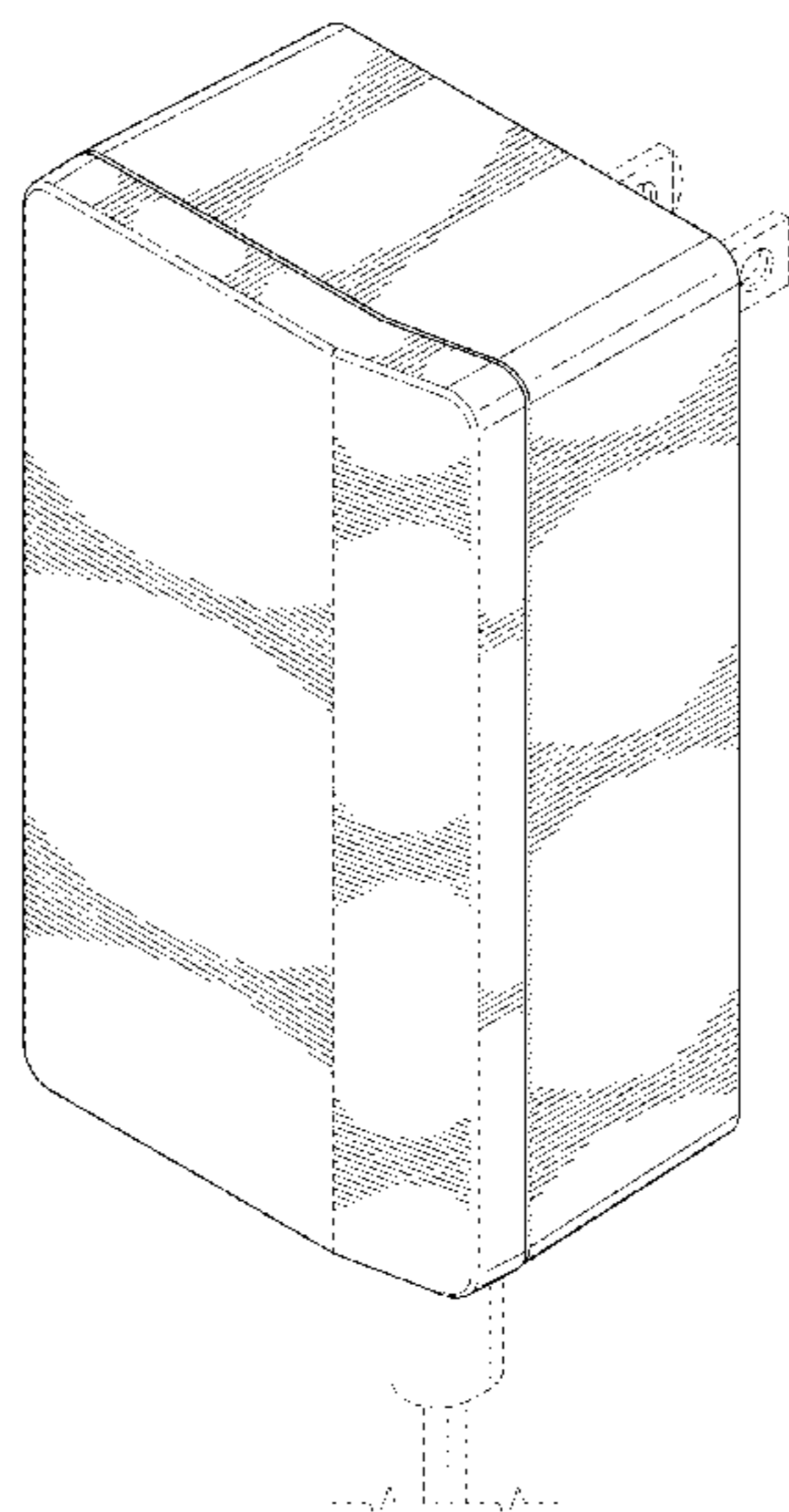
(57) **CLAIM**

The ornamental design for a power supply for a battery charger, as shown and described above.

DESCRIPTION

FIG. 1 is a top perspective view of a design for a power supply for a battery charger of the present invention;
FIG. 2 is a top view thereof;
FIG. 3 is a bottom view thereof;
FIG. 4 is a front view thereof;
FIG. 5 is a back view thereof;
FIG. 6 is a right side view thereof;
FIG. 7 is a left side view thereof; and,
FIG. 8 is a bottom perspective view thereof.
The broken lines shown in the drawings are included for the purpose of illustrating environmental structure and form no part of the claimed design.

1 Claim, 7 Drawing Sheets



(56)

References Cited

U.S. PATENT DOCUMENTS

D449,030 S 10/2001 Baxter et al.
 D454,537 S 3/2002 O'Connor et al.
 D456,008 S 4/2002 Kawanobe et al.
 D465,764 S * 11/2002 Salazar et al. D13/107
 D473,515 S * 4/2003 Salazar et al. D13/107
 D543,935 S * 6/2007 Ke D13/107
 D546,281 S * 7/2007 Bell D13/107
 D564,960 S * 3/2008 Sacco et al. D13/107
 D565,506 S * 4/2008 Sacco et al. D13/107
 D572,654 S * 7/2008 Kang et al. D13/107
 D572,655 S * 7/2008 Osiecki et al. D13/107
 D574,321 S * 8/2008 Osiecki et al. D13/107
 D596,562 S 7/2009 Hong et al.
 D623,129 S 9/2010 Kawakami et al.
 7,794,251 B2 9/2010 Wen et al.
 D638,355 S * 5/2011 Chen D13/110
 D638,356 S * 5/2011 Chen D13/110
 D676,382 S * 2/2013 McSweyn D13/108

D677,221 S * 3/2013 McSweyn D13/108
 D677,223 S * 3/2013 Cho D13/110
 D682,202 S * 5/2013 Weaver et al. D13/108
 D683,310 S * 5/2013 McSweyn D13/108
 D687,375 S 8/2013 Franco et al.
 D689,818 S * 9/2013 Sasada D13/107
 D692,825 S * 11/2013 Izen et al. D13/108
 D695,214 S * 12/2013 Roberts et al. D13/107
 D713,788 S * 9/2014 Hasegawa et al. D13/110
 D718,710 S * 12/2014 Rabalais et al. D13/107
 D718,711 S * 12/2014 Rabalais et al. D13/107
 2011/0148357 A1* 6/2011 Lu 320/111
 2011/0210699 A1 9/2011 Wu
 2013/0307464 A1* 11/2013 Zhu 320/101

OTHER PUBLICATIONS

U.S. Appl. No. 29/466,830, filed Sep. 12, 2013, Brian A. Rabalais et al.

* cited by examiner

FIG. 1

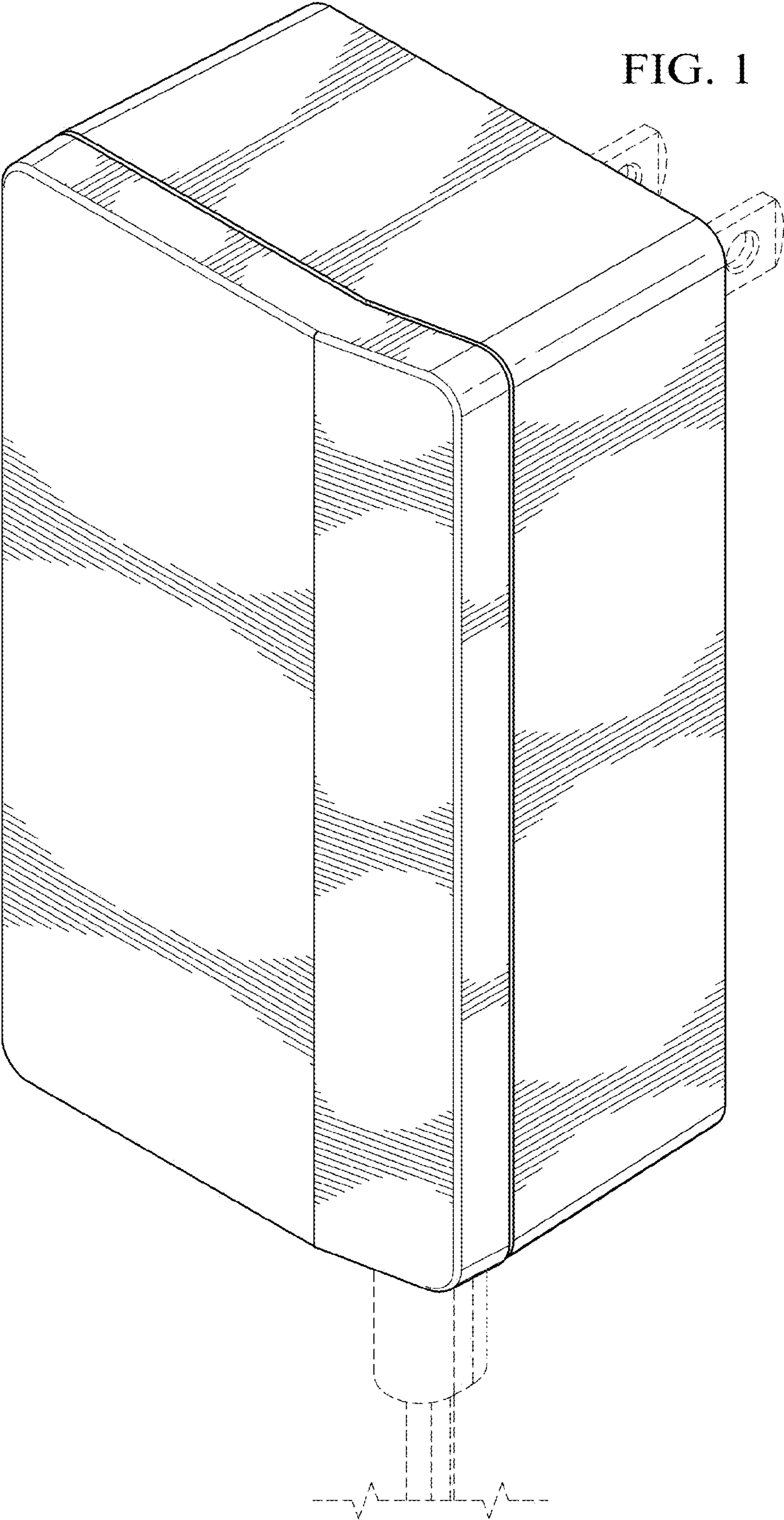


FIG. 2

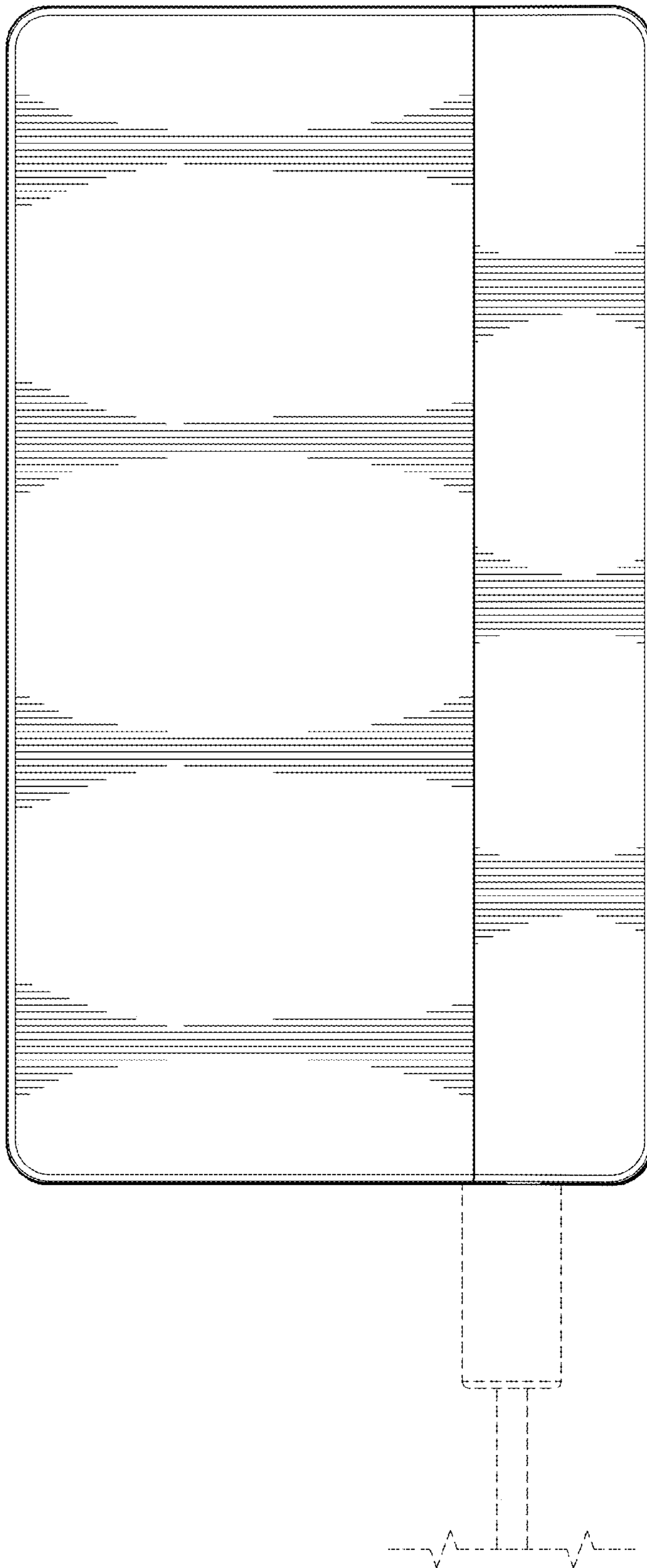


FIG. 3

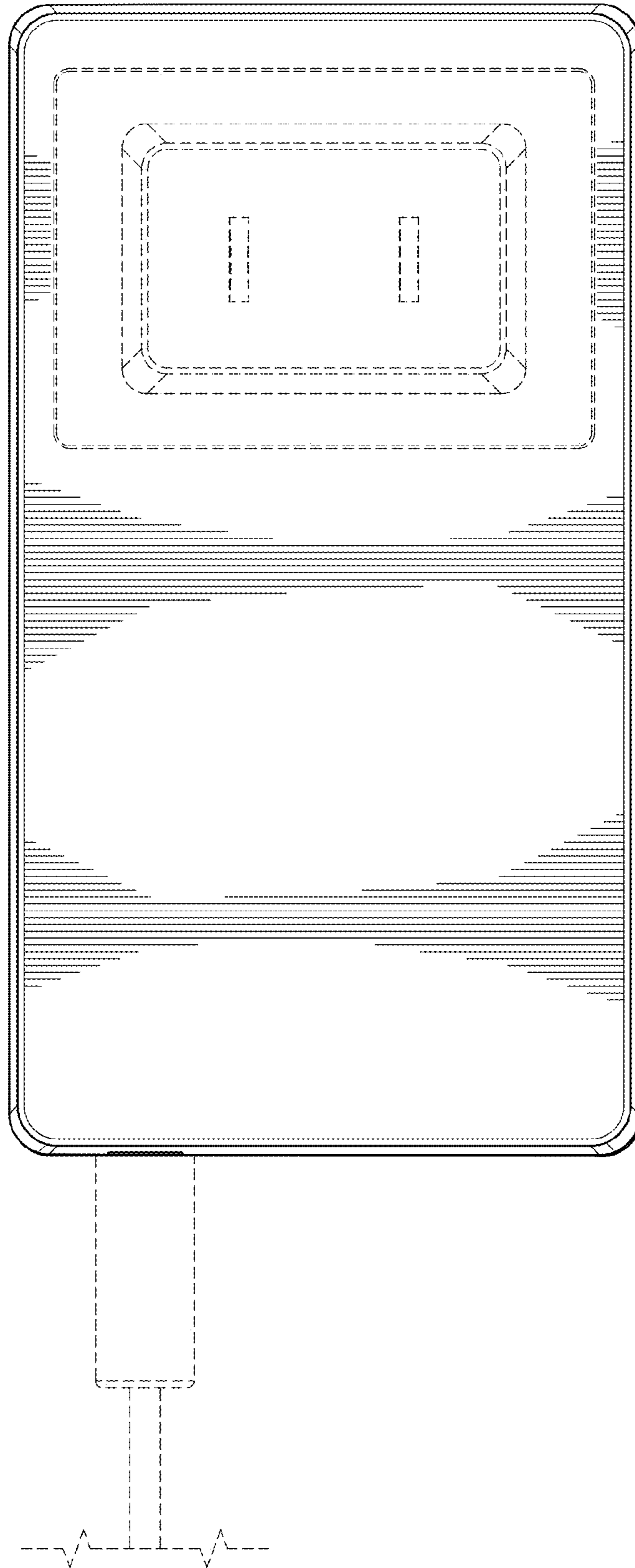
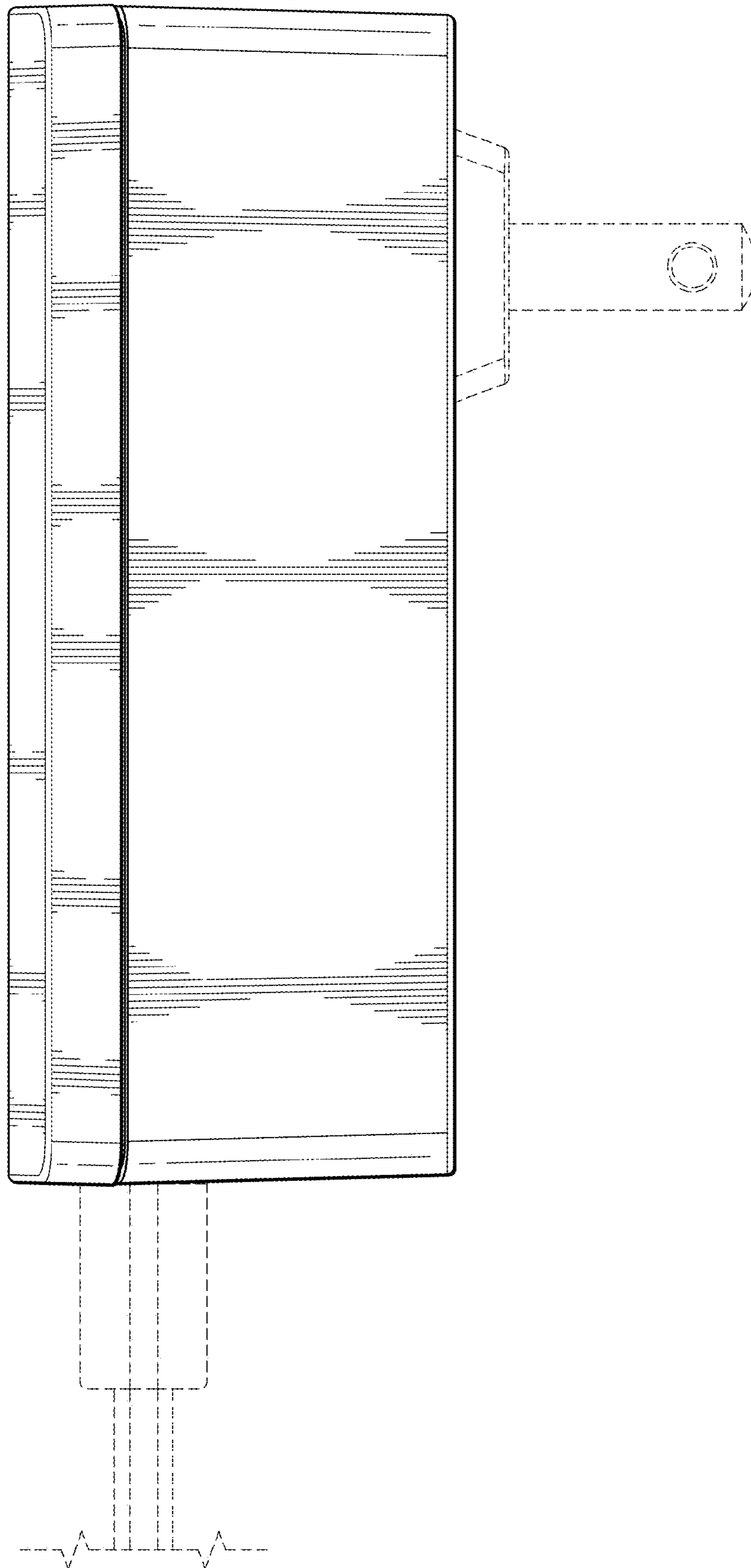


FIG. 4



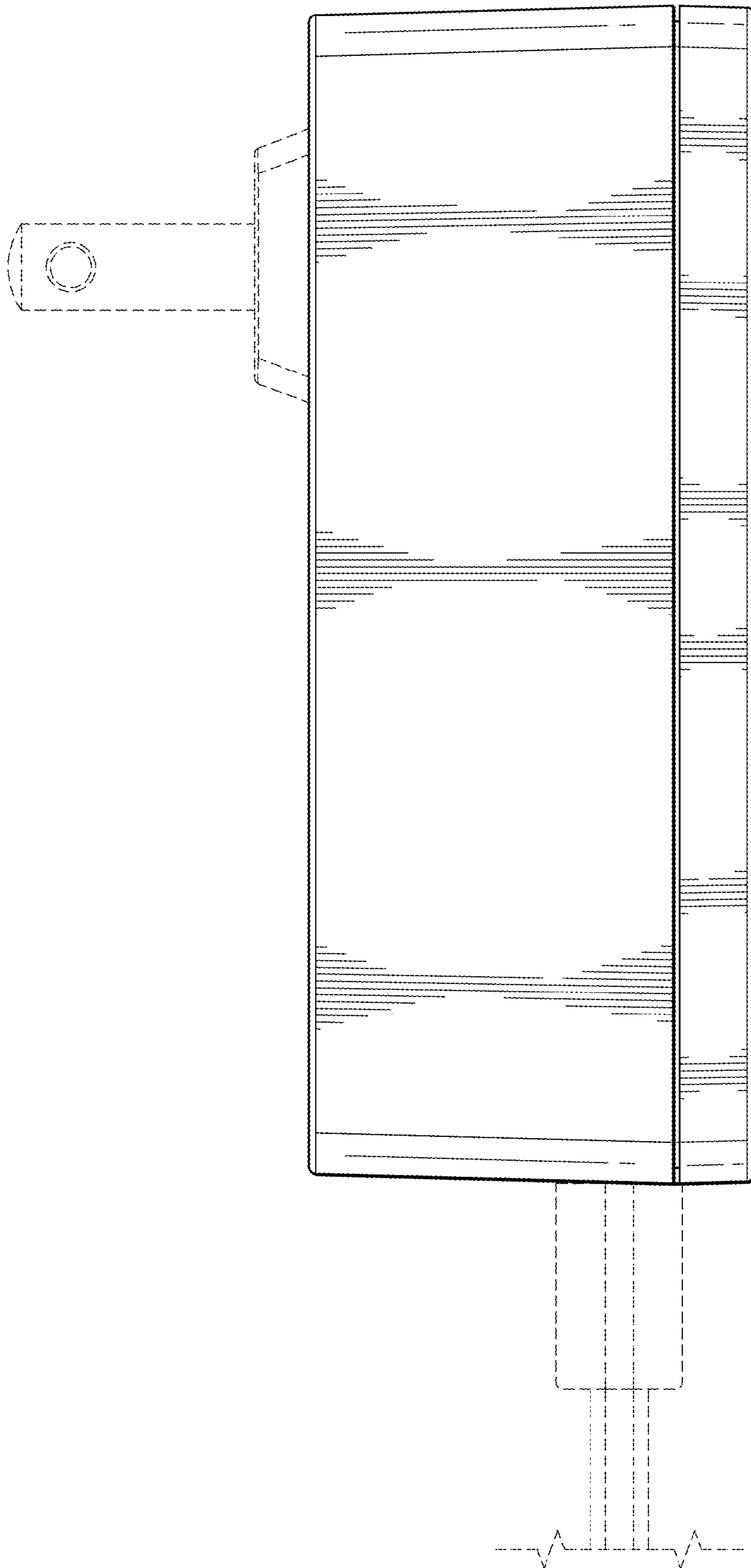


FIG. 5

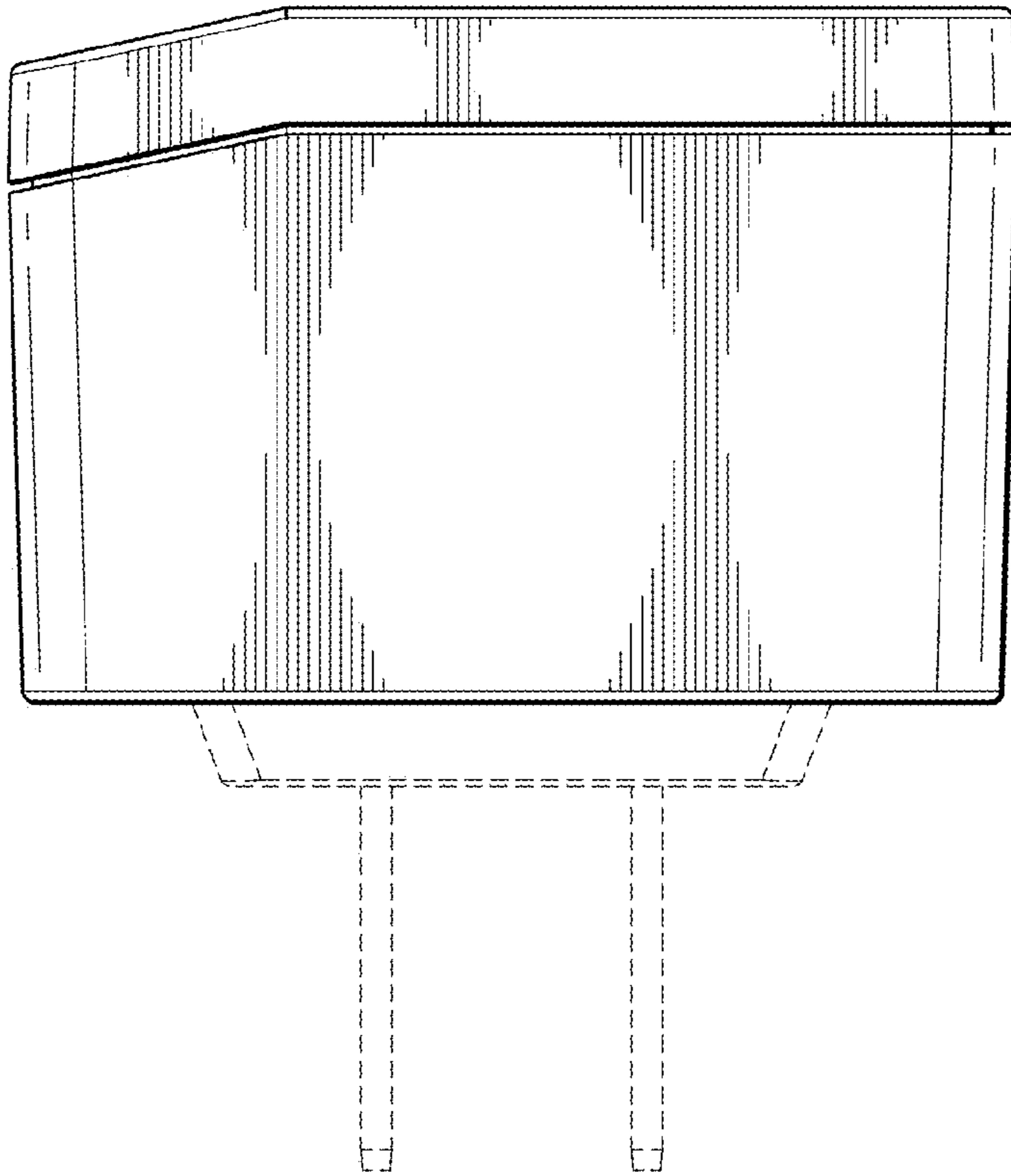


FIG. 6

FIG. 7

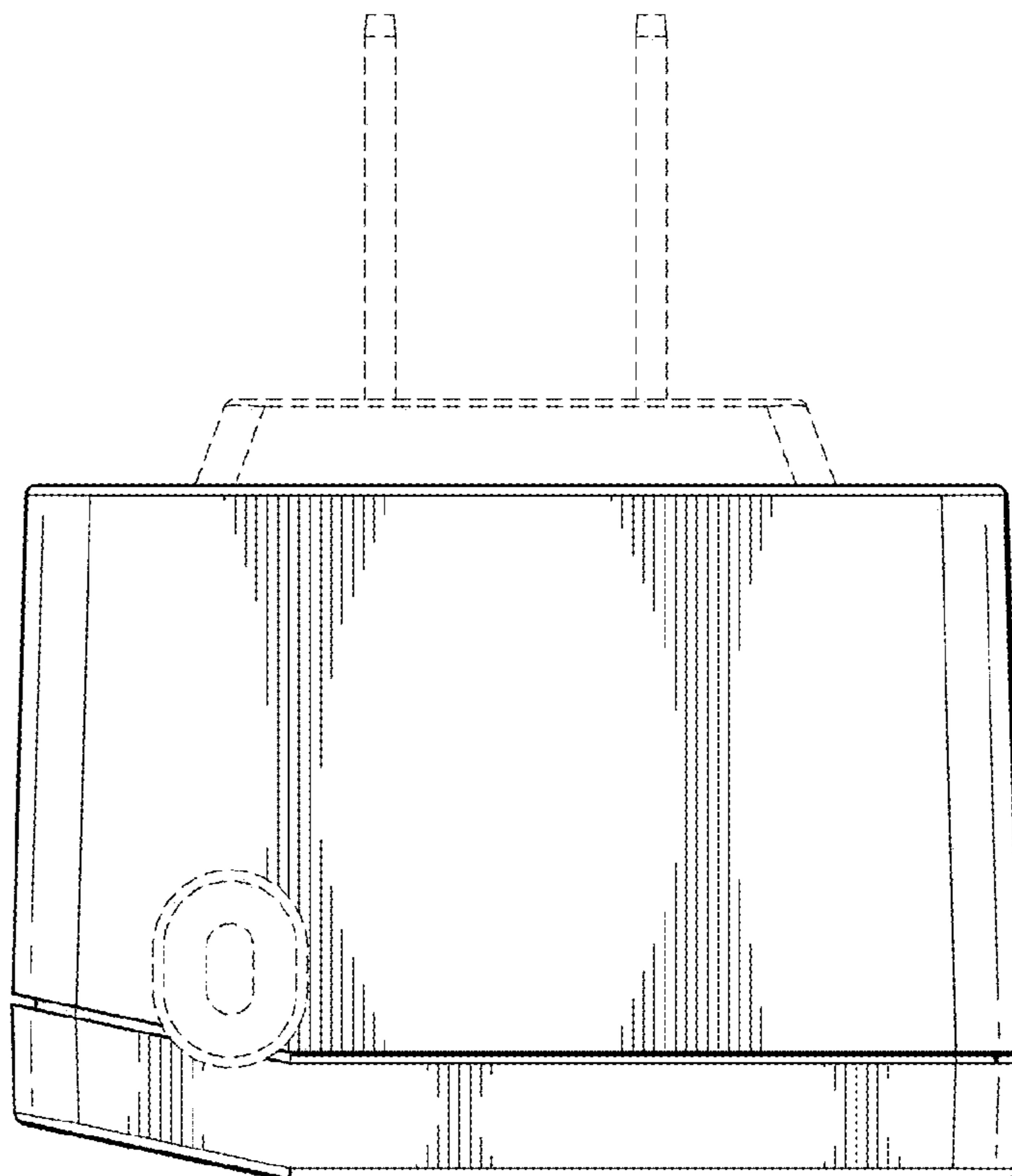


FIG. 8

