



US00D731965S

(12) **United States Design Patent**  
**Moribe et al.**

(10) **Patent No.:** **US D731,965 S**  
(45) **Date of Patent:** **\*\* Jun. 16, 2015**

(54) **ELECTRIC VEHICLE CHARGER WITH SINGLE OPENING FOR CONNECTOR OF AN ELECTRIC CABLE**

(71) Applicants: **DENSO WAVE INCORPORATED**, Aichi-pref. (JP); **DENSO CORPORATION**, Aichi-pref. (JP)

(72) Inventors: **Nobuo Moribe**, Obu (JP); **Yuji Tsuchiya**, Nagoya (JP); **Hironobu Ando**, Obu (JP)

(73) Assignees: **DENSO WAVE INCORPORATED**, Aichi-pref. (JP); **DENSO CORPORATION**, Kariya (JP)

(\*\*) Term: **14 Years**

(21) Appl. No.: **29/446,644**

(22) Filed: **Feb. 26, 2013**

(30) **Foreign Application Priority Data**

Aug. 27, 2012 (JP) ..... 2012-020521

(51) **LOC (10) Cl.** ..... **13-02**

(52) **U.S. Cl.**  
USPC ..... **D13/107**

(58) **Field of Classification Search**  
USPC ..... D13/106–110, 118–119, 184, 199;  
D15/9; 320/103–115; D6/310–312  
See application file for complete search history.

(56) **References Cited**

**U.S. PATENT DOCUMENTS**

D231,901 S *	6/1974	Bentley	.....	D8/371
D241,299 S *	9/1976	Ohls	.....	D6/301
D332,528 S *	1/1993	Neal	.....	D6/301
D337,303 S *	7/1993	Naft et al.	.....	D13/108
D340,811 S *	11/1993	Vaughan	.....	D6/310
D345,296 S *	3/1994	Thomas	.....	D8/356

(Continued)

*Primary Examiner* — Rosemary K Tarcza

(74) *Attorney, Agent, or Firm* — Posz Law Group, PLC

(57) **CLAIM**

The ornamental design for an electric vehicle charger with single opening for connector of an electric cable, as shown and described.

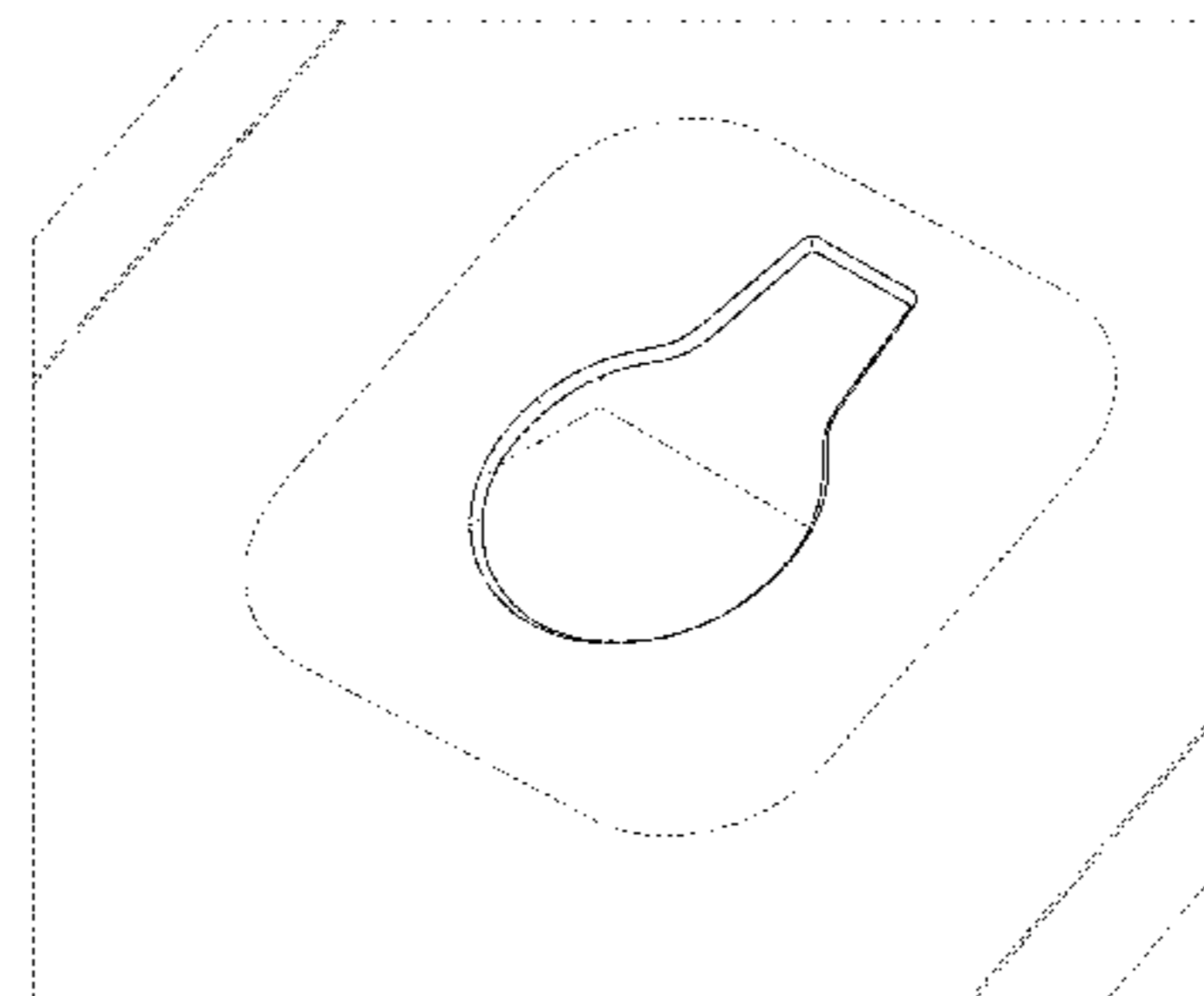
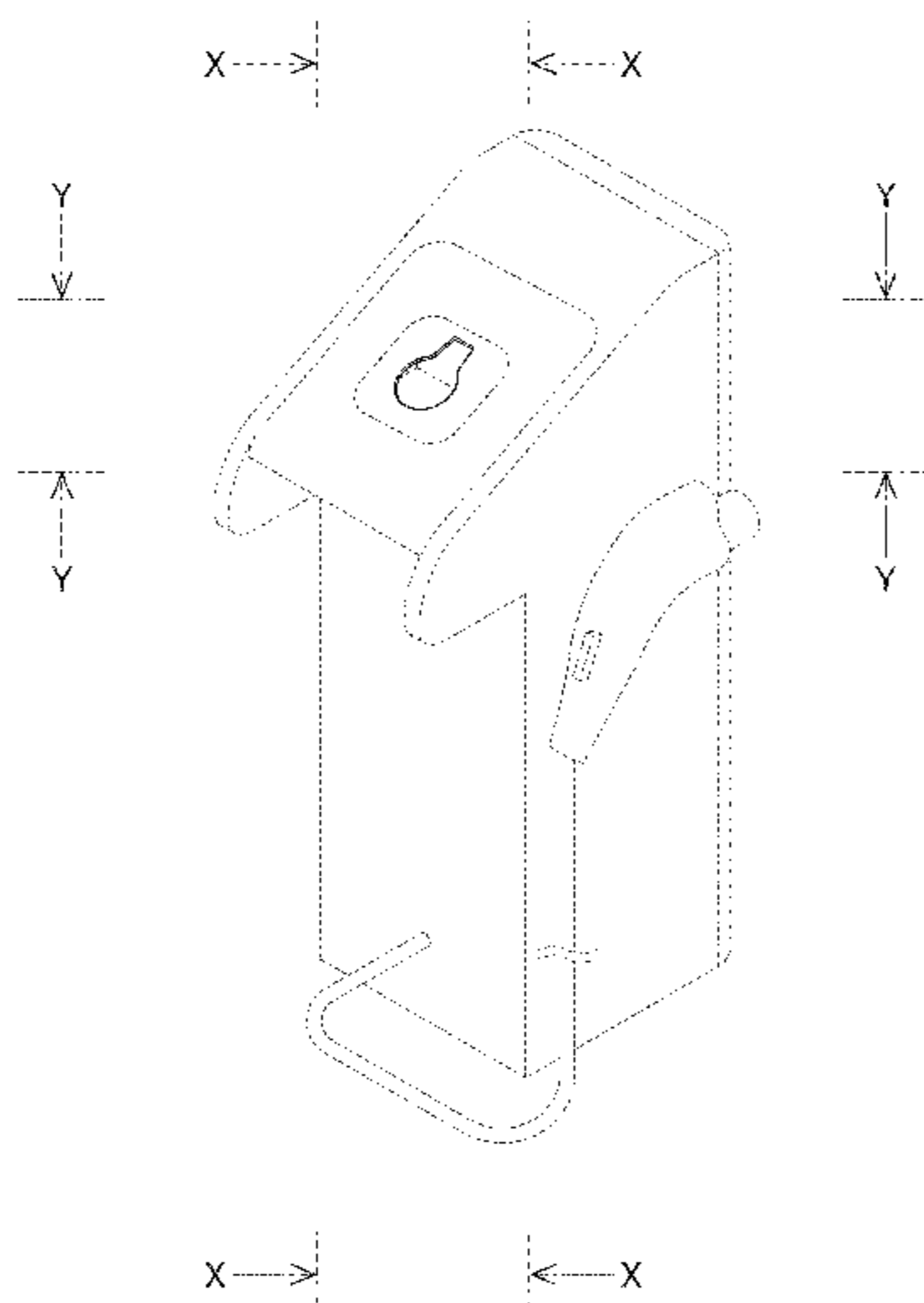
**DESCRIPTION**

FIG. 1 is a perspective view of an electric vehicle charger with single opening for connector of an electric cable;  
 FIG. 2 is a front view of the electric vehicle charger with single opening for connector of an electric cable;  
 FIG. 3 is a rear view of the electric vehicle charger with single opening for connector of an electric cable;  
 FIG. 4 is a right side view of the electric vehicle charger with single opening for connector of an electric cable;  
 FIG. 5 is a left side view of the electric vehicle charger with single opening for connector of an electric cable;  
 FIG. 6 is a top view of the electric vehicle charger with single opening for connector of an electric cable;  
 FIG. 7 is a bottom view of the electric vehicle charger with single opening for connector of an electric cable;  
 FIG. 8 is an enlarged front view defined by the ranges A-A and B-B of FIG. 2;  
 FIG. 9 is an enlarged cross-sectional view defined by the ranges A-A and B-B of FIG. 2 and the range M-M of FIG. 4 and taken along the line C-C of FIG. 8;  
 FIG. 10 is an enlarged top view defined by the ranges D-D and E-E of FIG. 6; and,  
 FIG. 11 is an enlarged perspective view defined by the ranges X-X and Y-Y of FIG. 1.

The broken line showing of a body, a connector and an electric cable is for the purpose of illustrating unclaimed portions of the electric vehicle charger and forms no part of the claimed design.

The electric vehicle charger includes, a body, an electric cable extending from the body and a connector provided at an end of the electric cable. As shown in the perspective view of, the connector is supported by the body via an opening which is formed in an inclined surface of an upper part of the body.

**1 Claim, 11 Drawing Sheets**



(56)

**References Cited**

U.S. PATENT DOCUMENTS

D397,983 S \* 9/1998 Pingel et al. .... D12/217  
D397,984 S \* 9/1998 Pingel et al. .... D12/217  
D404,006 S \* 1/1999 Clowers et al. .... D13/107  
D483,957 S \* 12/2003 Skinner ..... D6/302

D490,990 S \* 6/2004 Li ..... D6/310  
D505,913 S \* 6/2005 Kam Lun et al. .... D13/107  
D517,478 S \* 3/2006 Bayat et al. .... D13/108  
D541,743 S \* 5/2007 Virolainen ..... D13/110  
D569,630 S \* 5/2008 Bradford ..... D6/310  
D689,853 S \* 9/2013 Smith ..... D14/253  
D698,309 S \* 1/2014 Moribe et al. .... D13/107

\* cited by examiner

FIG. 1

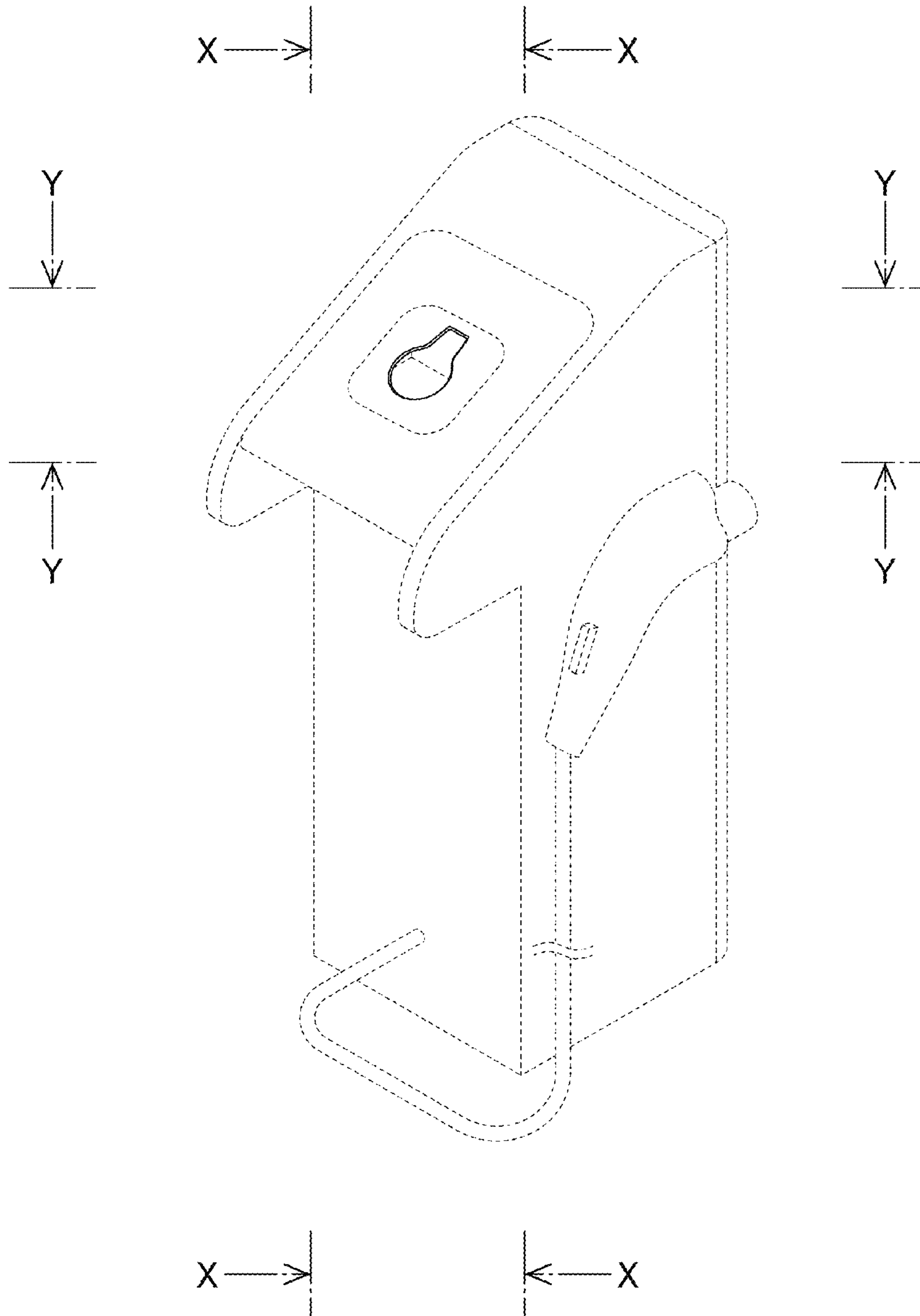


FIG. 2

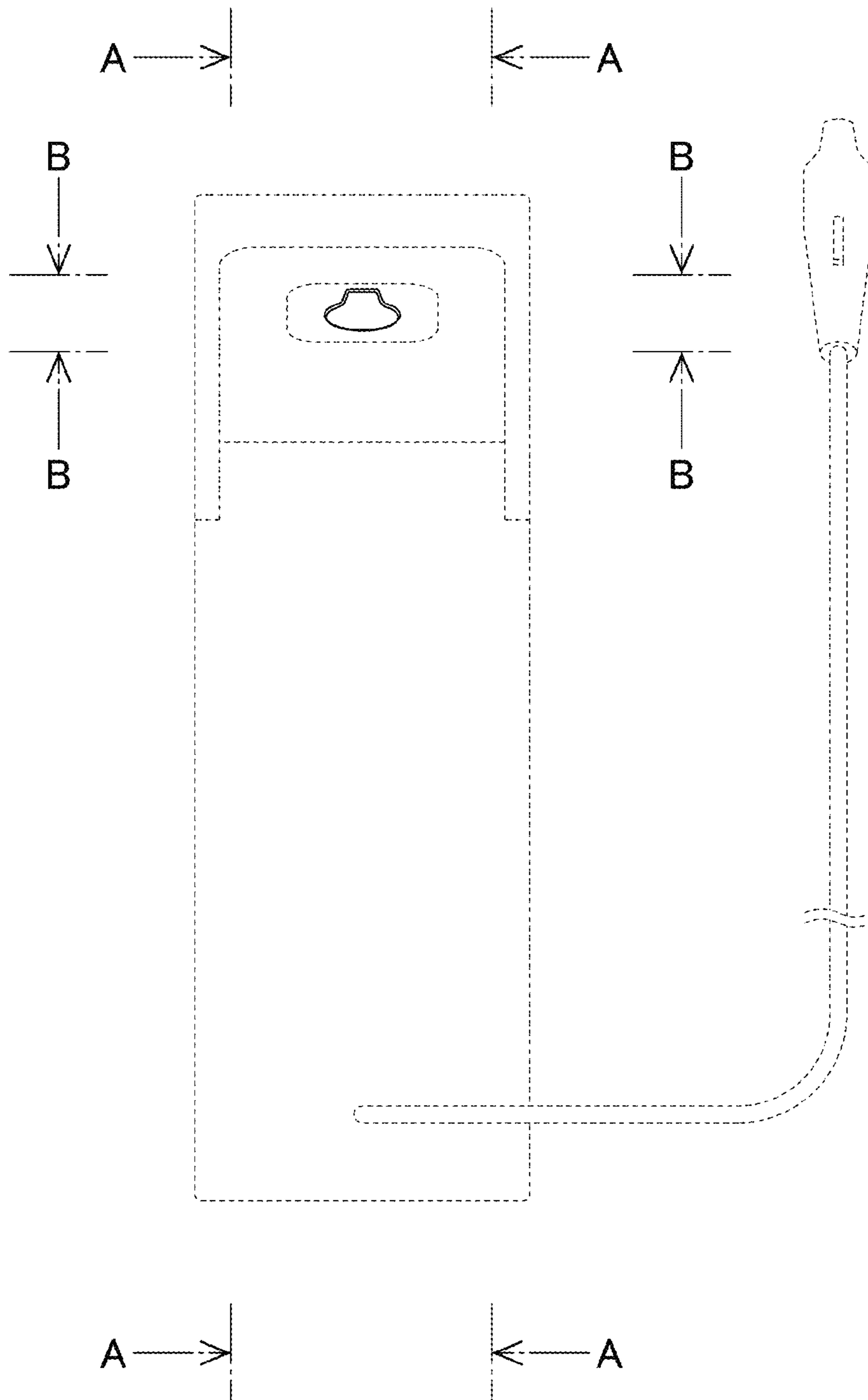


FIG. 3

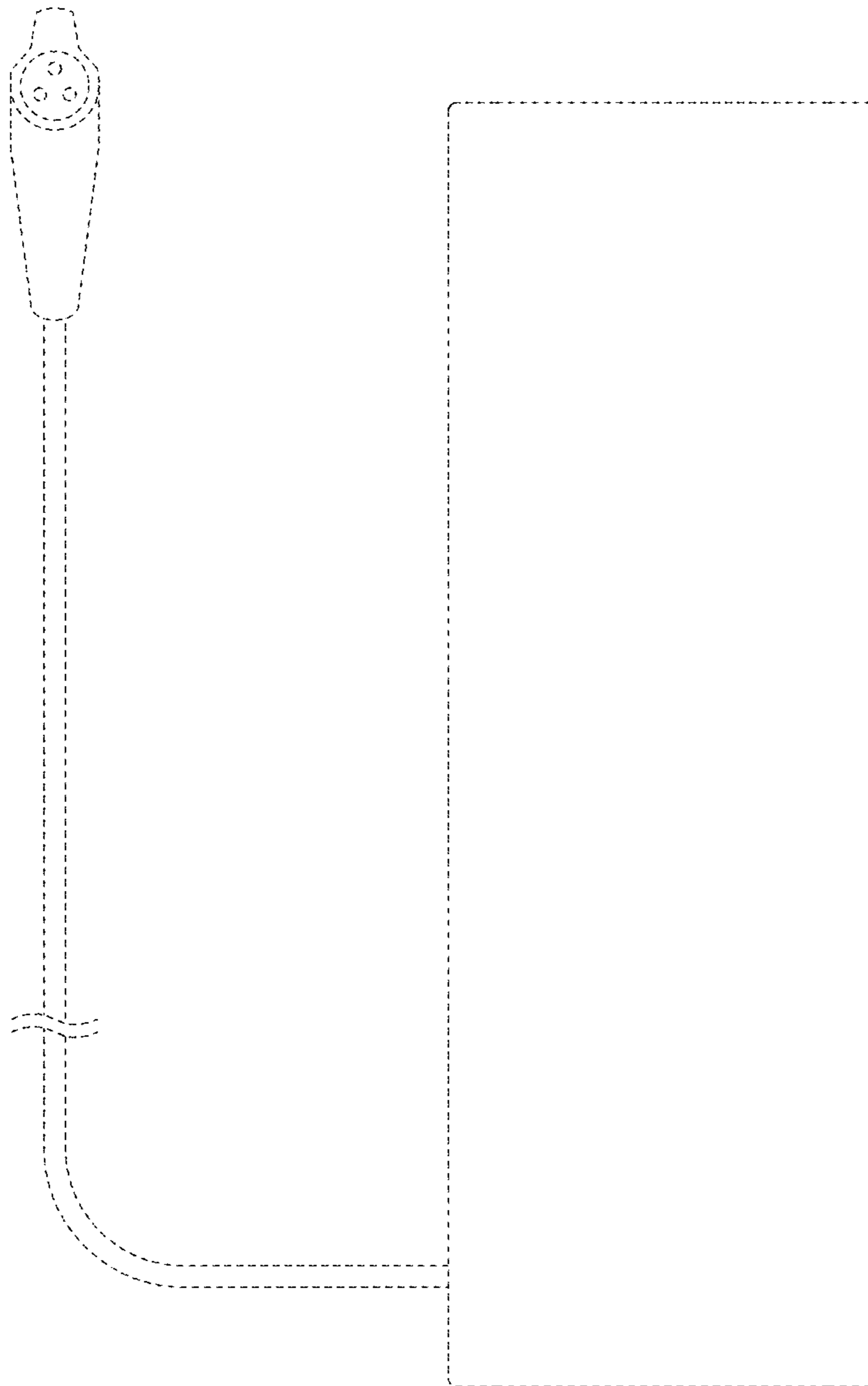


FIG. 4

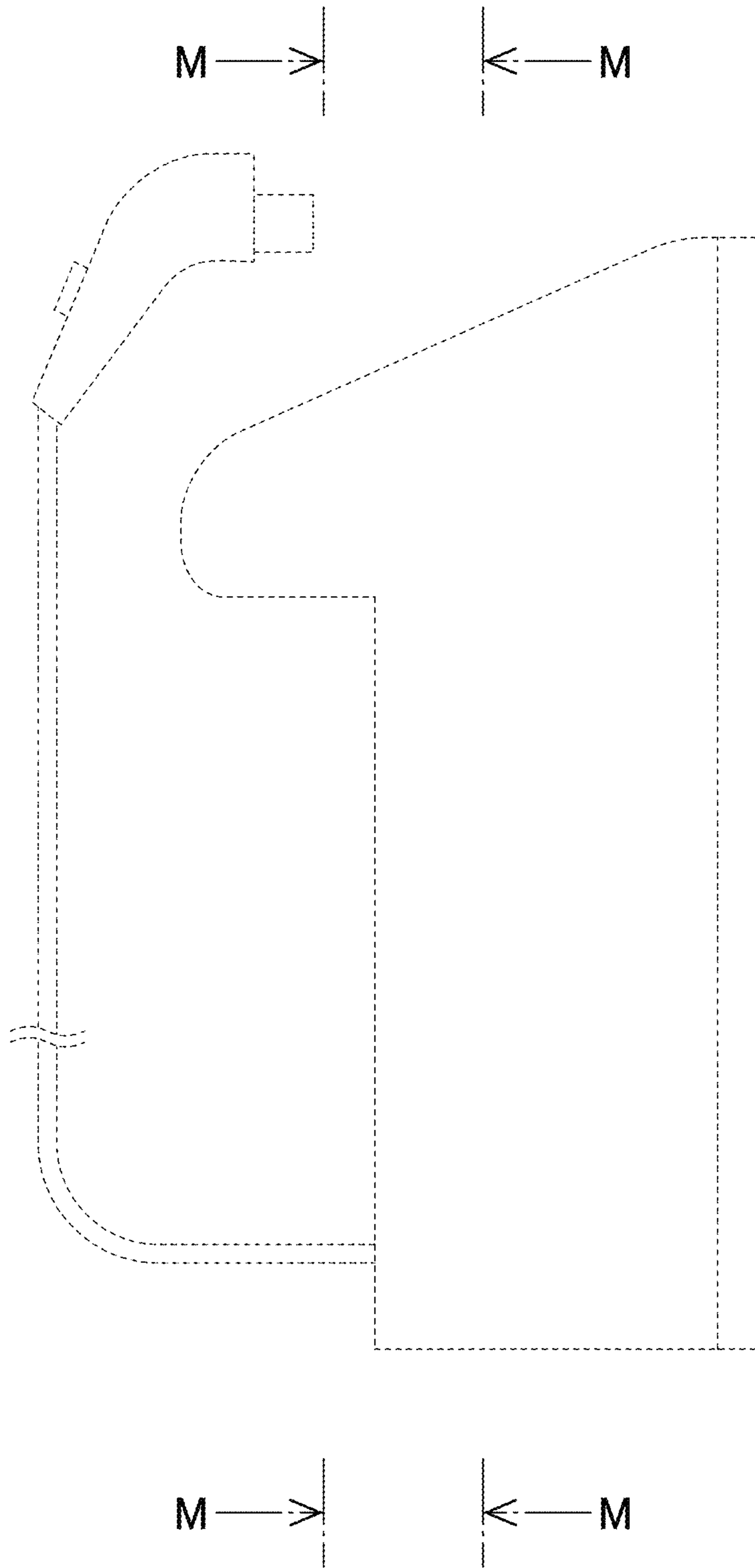


FIG. 5

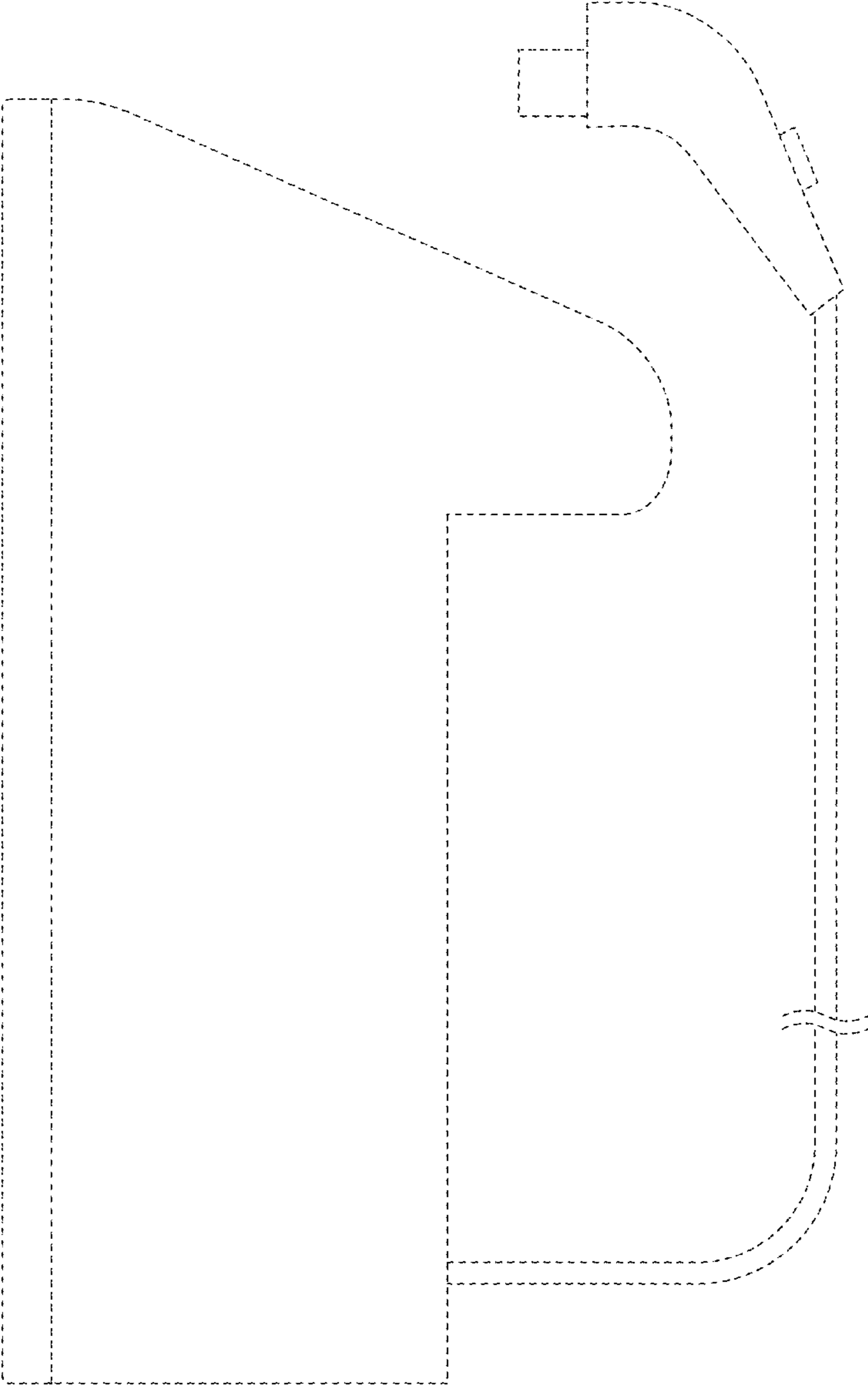


FIG. 6

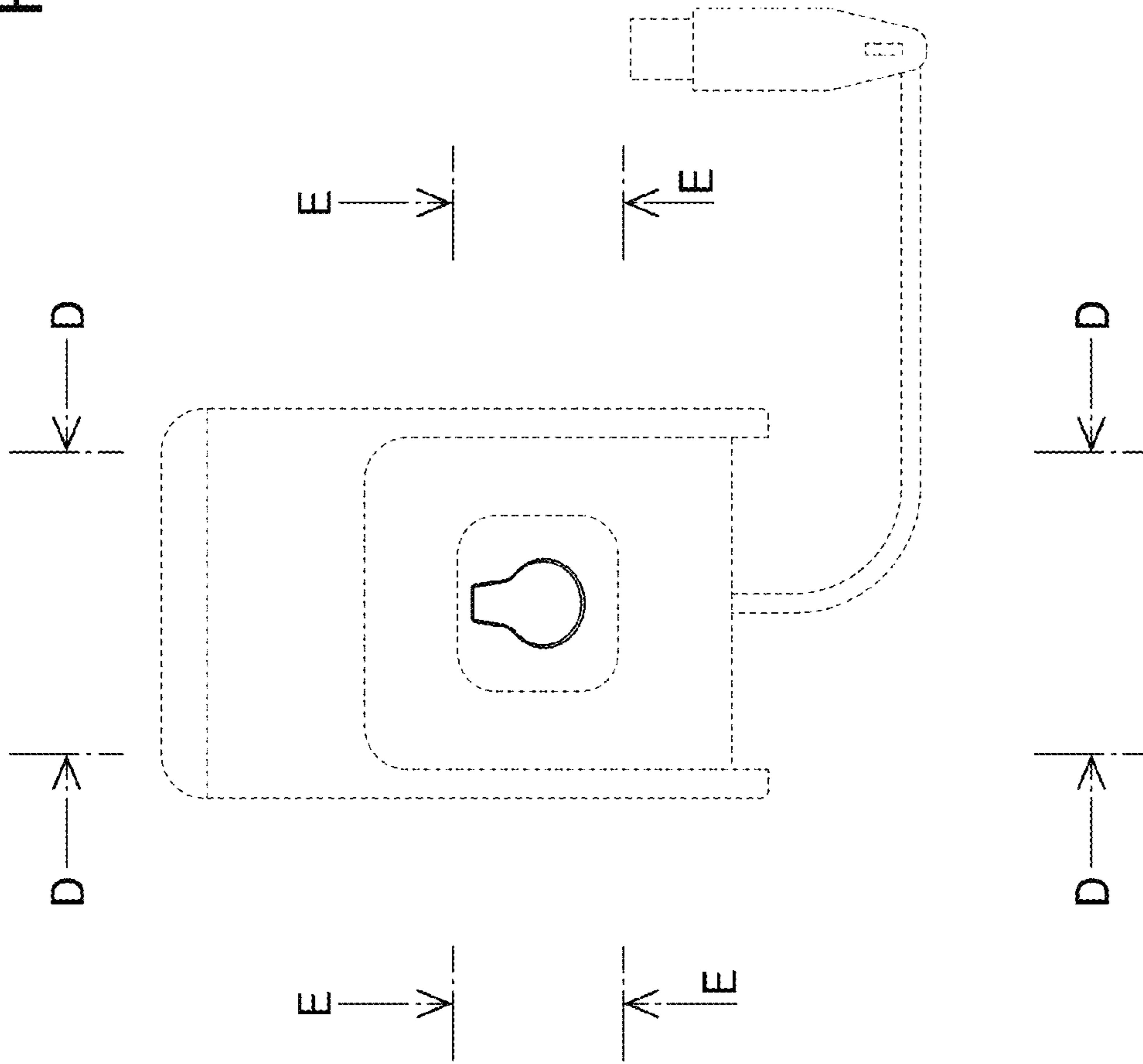




FIG. 7

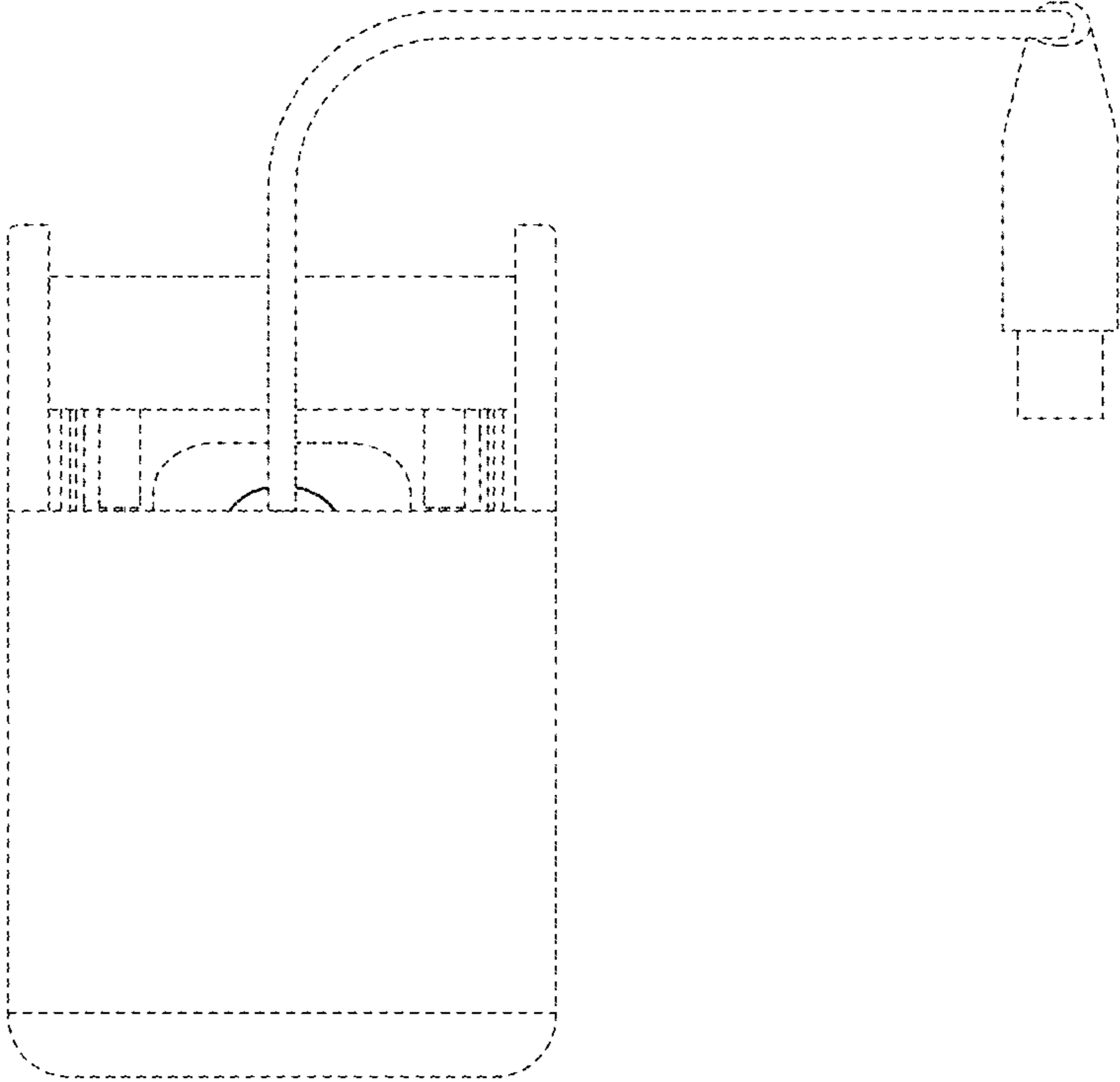


FIG. 8

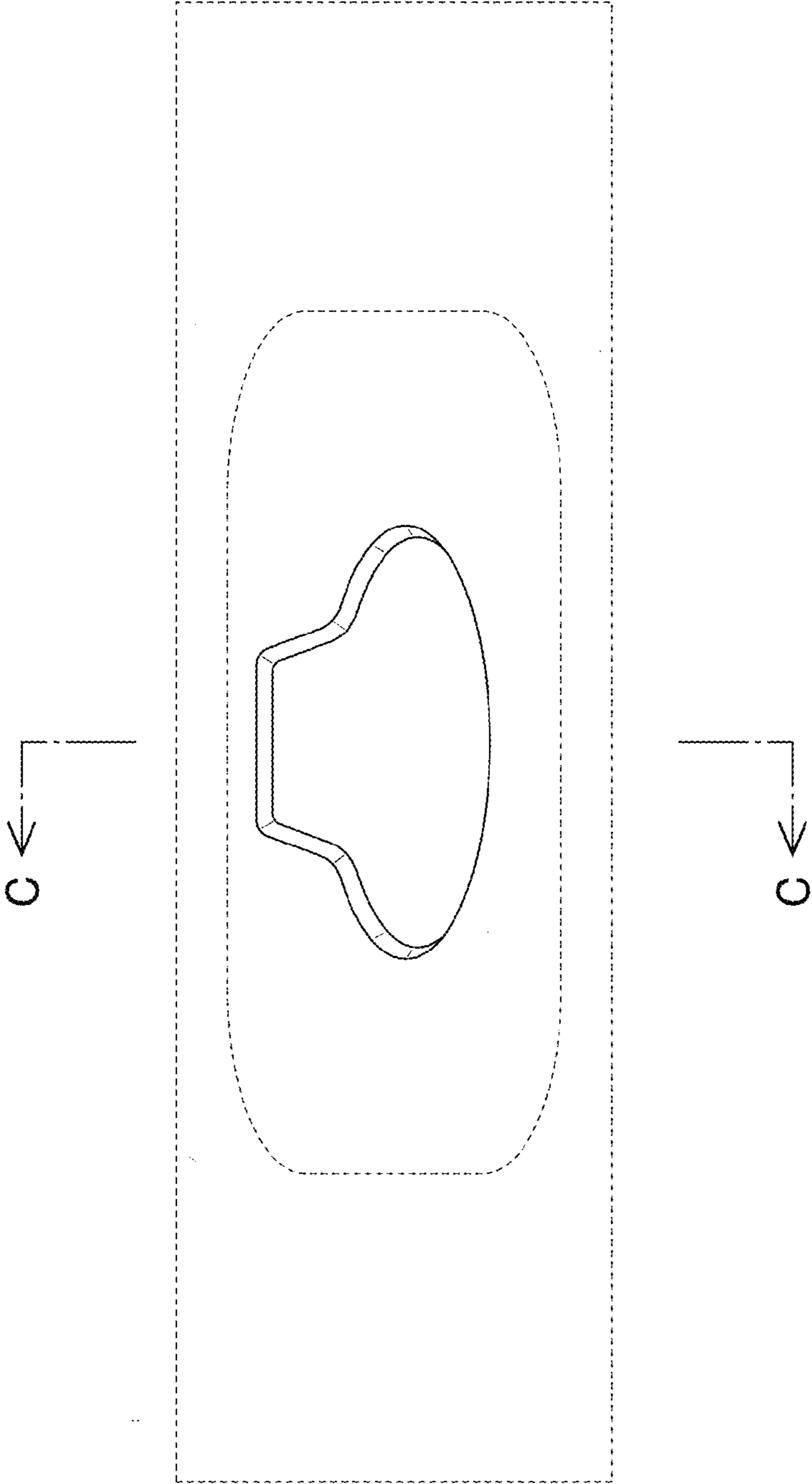


FIG. 9

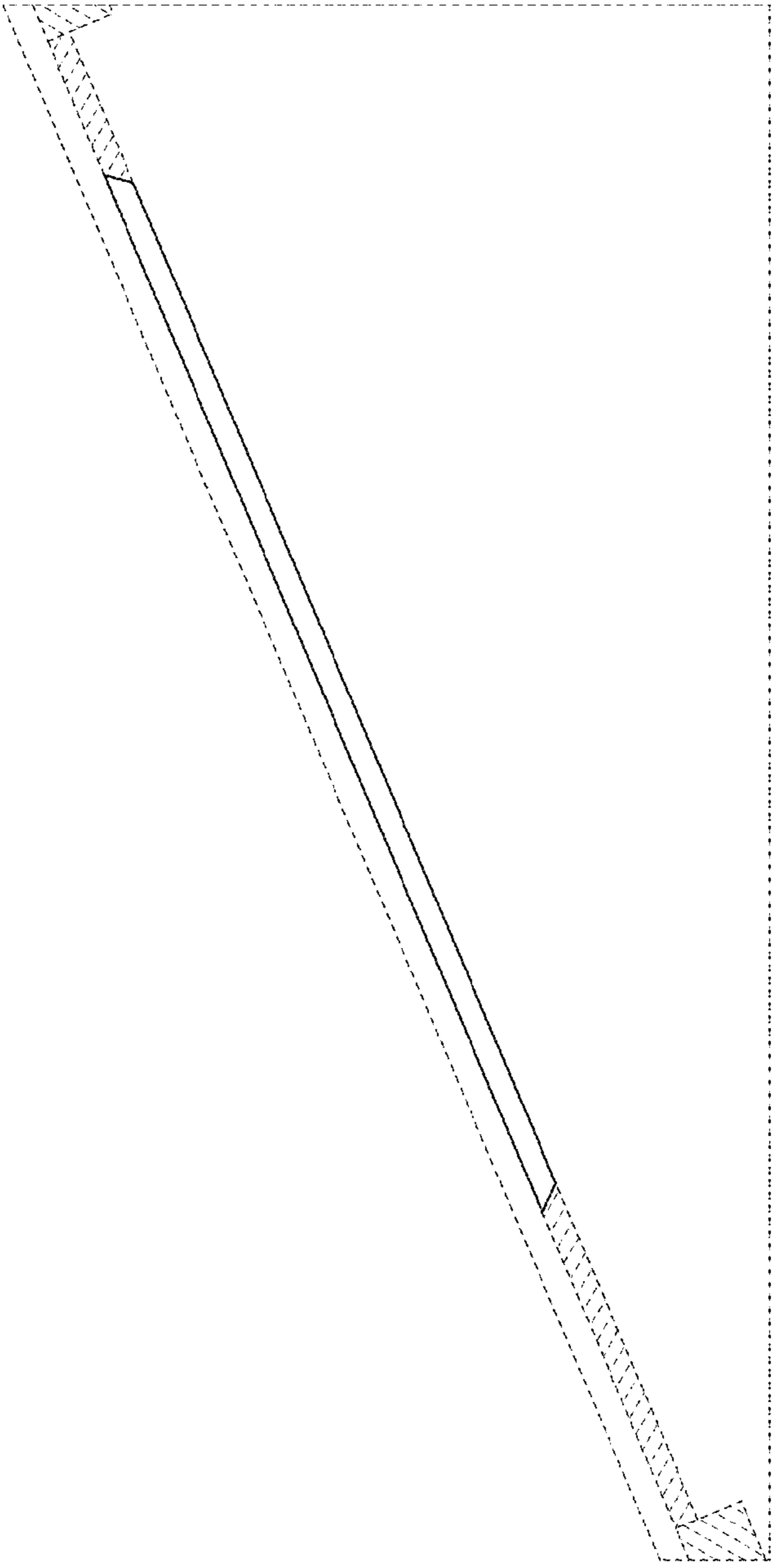


FIG. 10

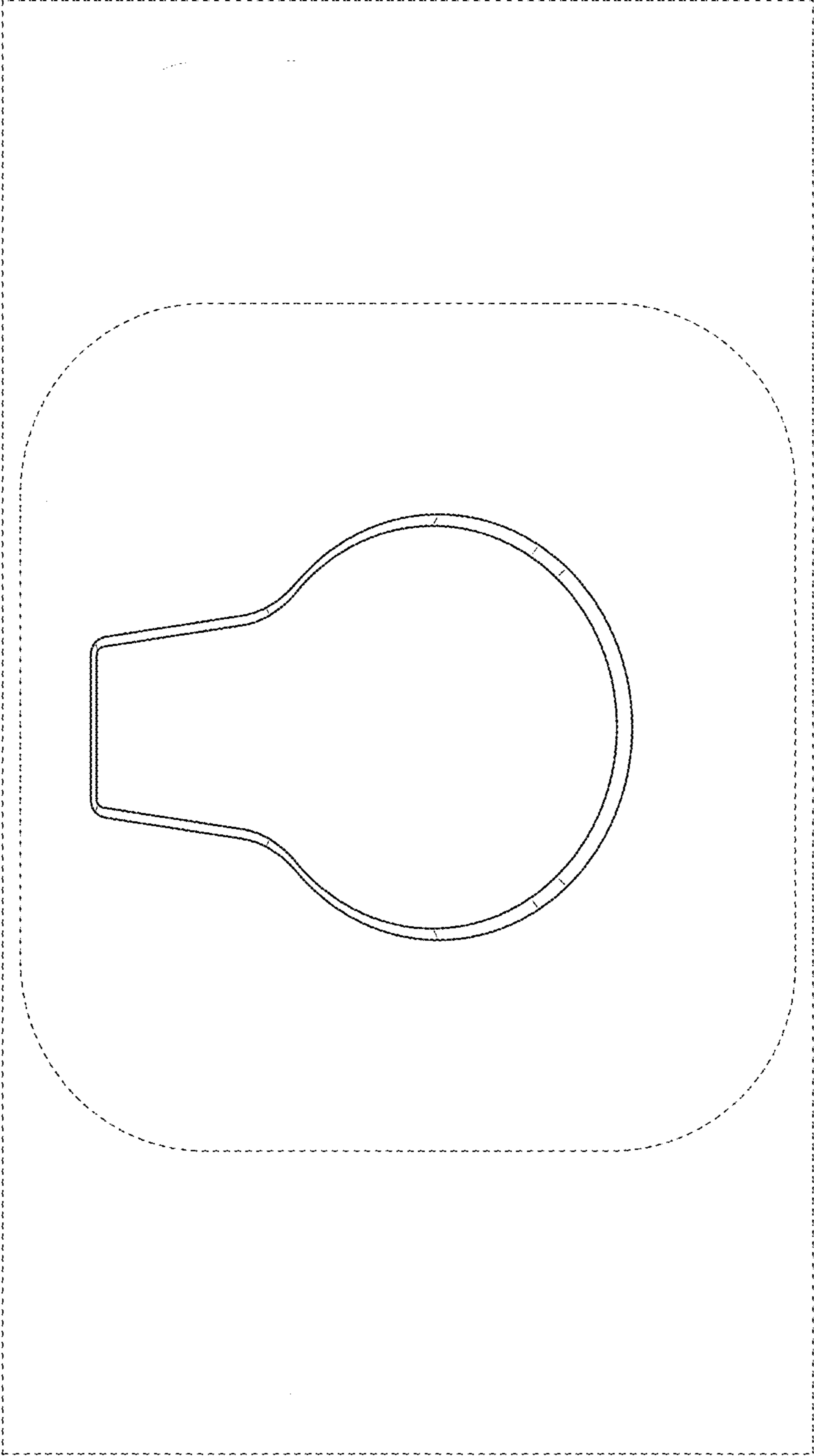


FIG.11

