



US00D731961S

(12) **United States Design Patent**  
**Rittweger**

(10) **Patent No.:** **US D731,961 S**  
(45) **Date of Patent:** **\*\* Jun. 16, 2015**

(54) **TIRE TREAD FOR A VEHICLE TIRE**

(56) **References Cited**

(75) Inventor: **Stefan Rittweger**, Hanover (DE)

U.S. PATENT DOCUMENTS

(73) Assignee: **Continental Reifen Deutschland GmbH**, Hannover (DE)

D550,609 S *	9/2007	Ibaraki .....	D12/601
D596,115 S *	7/2009	Oosuna et al. ....	D12/601
D652,785 S *	1/2012	Rittweger et al. ....	D12/590
D714,716 S *	10/2014	Buchinger-Barnstorf et al. ....	D12/590

(\*\*) Term: **14 Years**

\* cited by examiner

(21) Appl. No.: **29/431,466**

*Primary Examiner* — Robert M Spear

(22) Filed: **Sep. 7, 2012**

(74) *Attorney, Agent, or Firm* — Laurence A. Greenberg;  
Werner H. Stemer; Ralph E. Locher

(30) **Foreign Application Priority Data**

(57) **CLAIM**

The ornamental design for a tire tread for a vehicle tire, as shown and described.

Mar. 22, 2012 (EP) ..... 002012948

**DESCRIPTION**

(51) **LOC (10) Cl.** ..... **12-15**

FIG. 1 is a perspective view of a vehicle tire with the tire tread, showing my new design;

(52) **U.S. Cl.**

FIG. 2 is a front elevational view thereof;

USPC ..... **D12/601**

FIG. 3 is an enlarged partial front view thereof;

(58) **Field of Classification Search**

USPC ..... D12/569–603, 900–901;

FIG. 4 is a right side elevational view thereof; and,

152/209.1–209.9, 209.11–209.19,

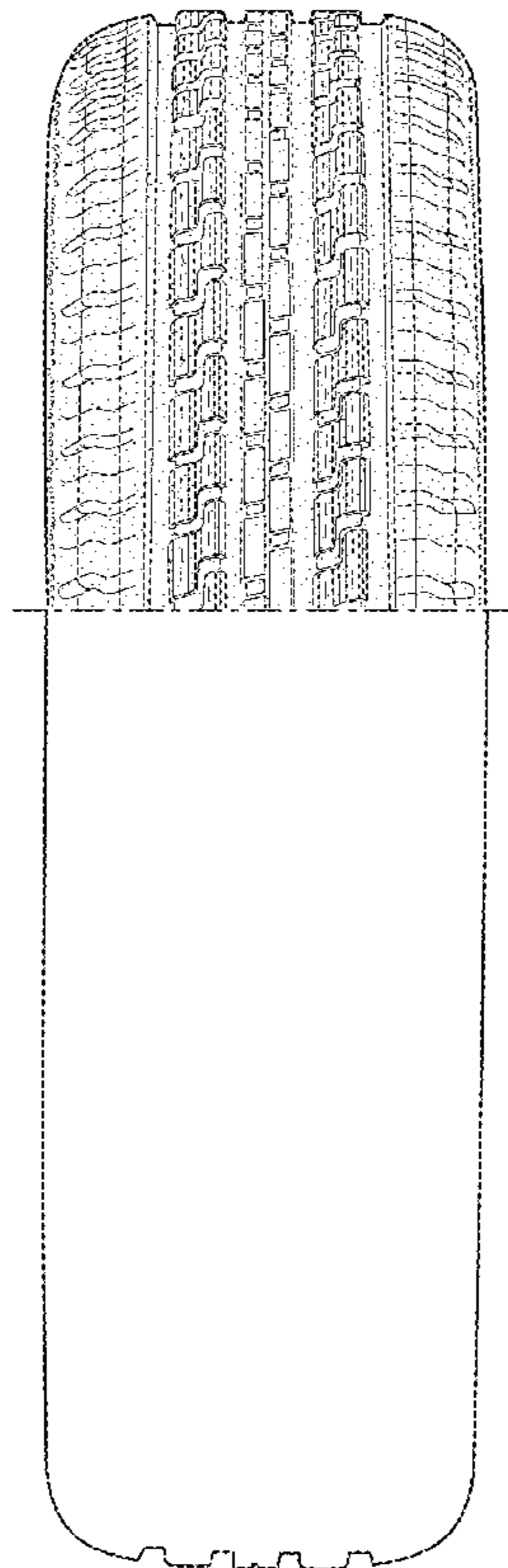
FIG. 5 is a left side elevational view thereof.

152/209.21–209.28, 455

In the drawings, the broken lines defining the sidewall, and inner bead depict environmental subject matter that forms no part of the claimed design. While only portions of the tread design are shown, it should be understood that the tread covers the tire circumferentially in its entirety.

See application file for complete search history.

**1 Claim, 5 Drawing Sheets**



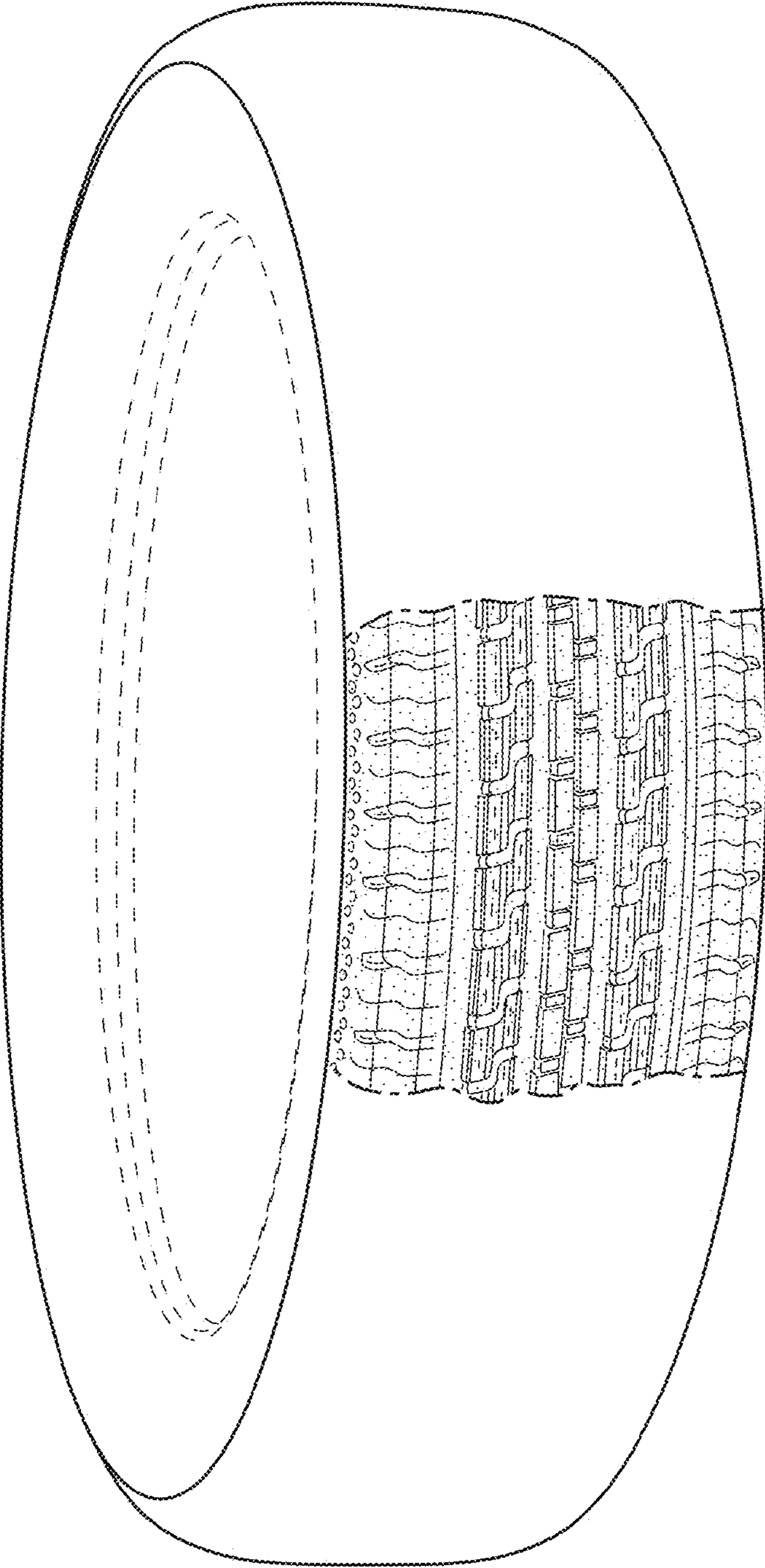


FIG. 1

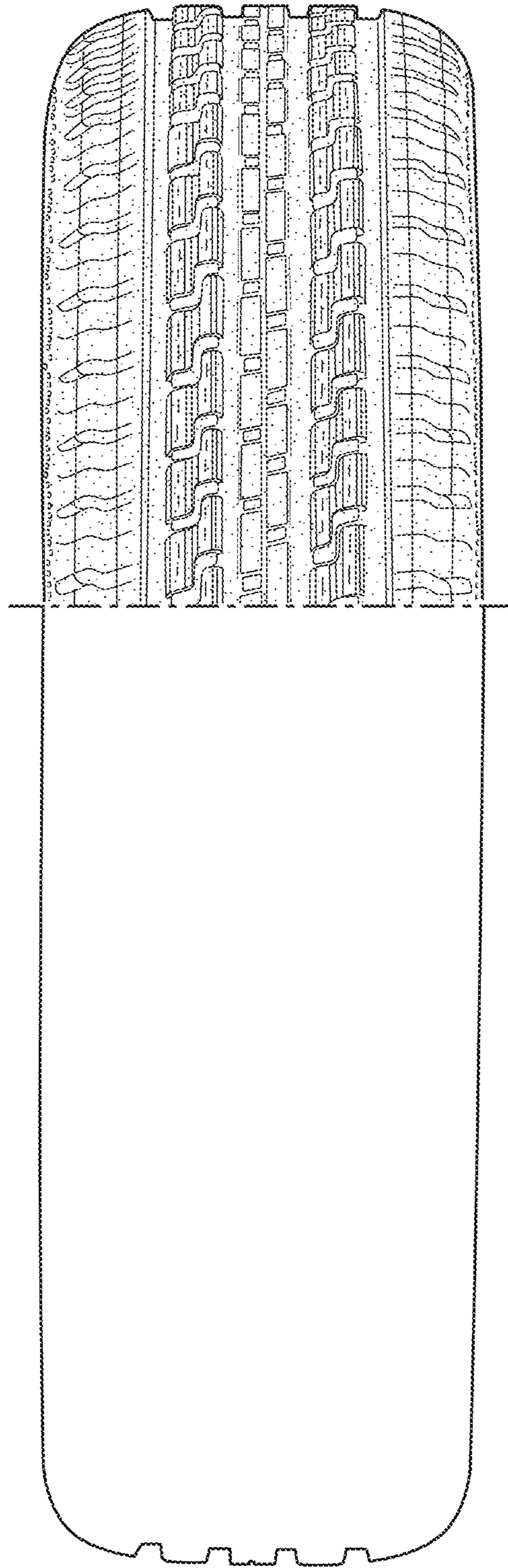


FIG. 2

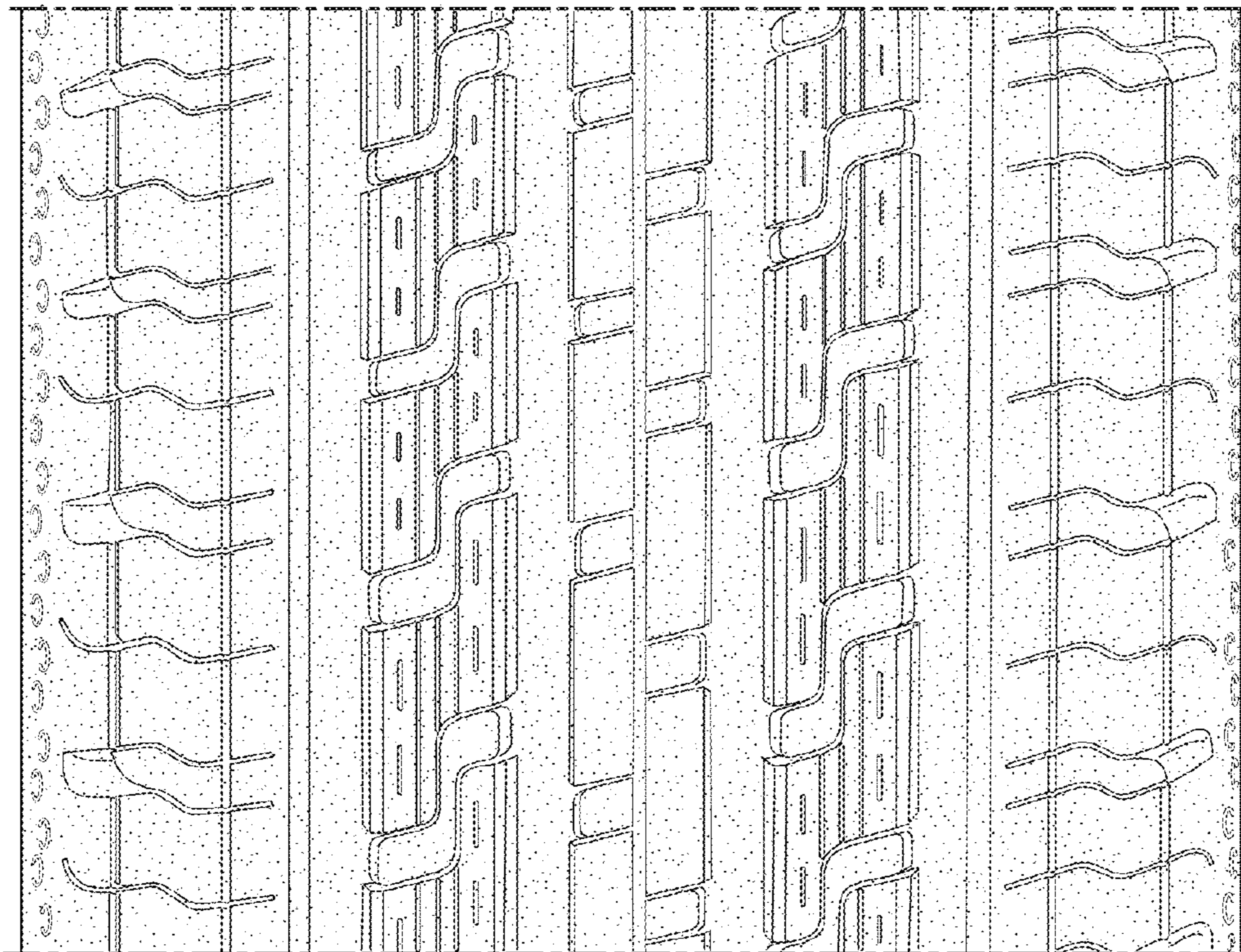


FIG. 3

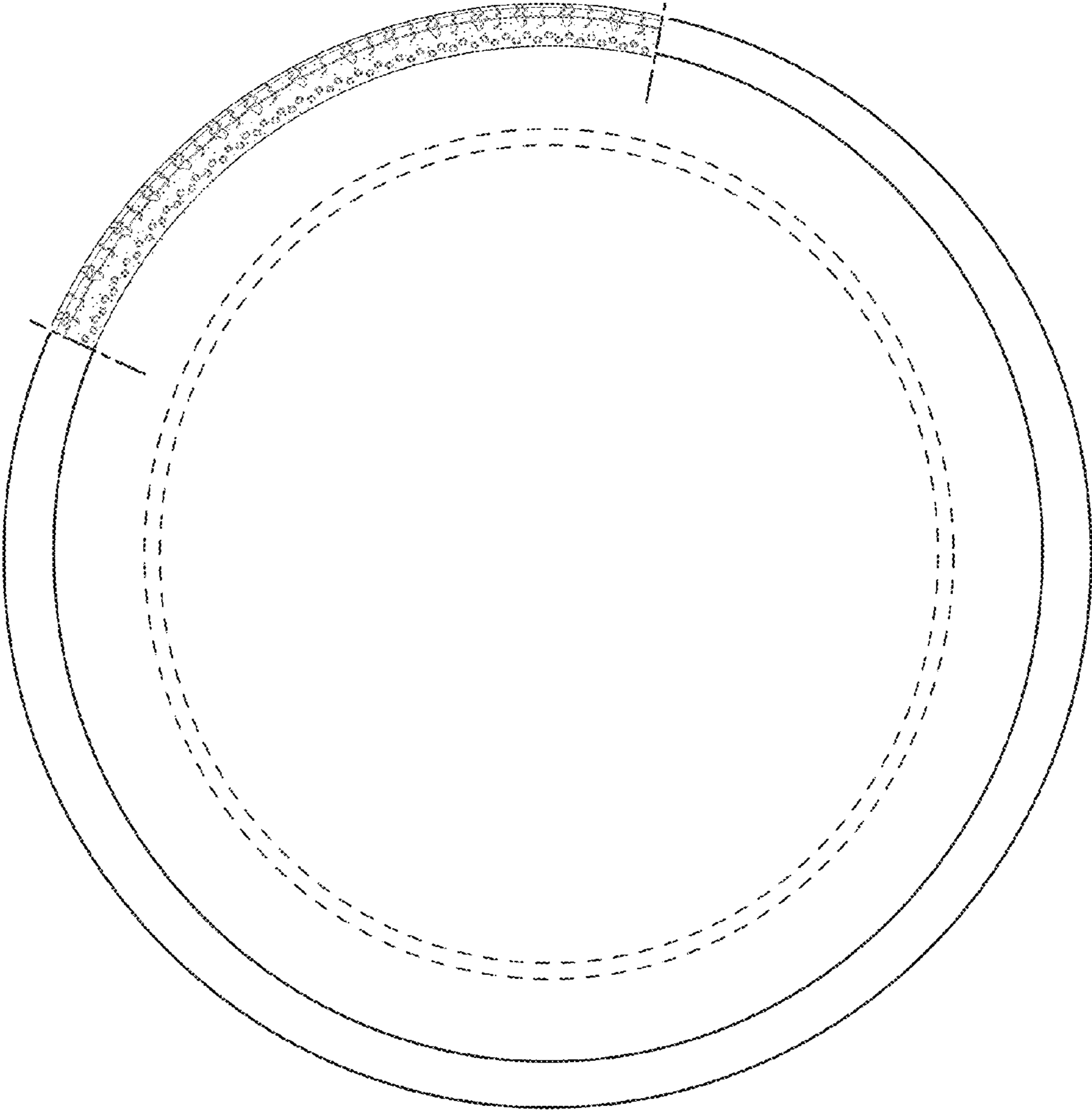


FIG. 4

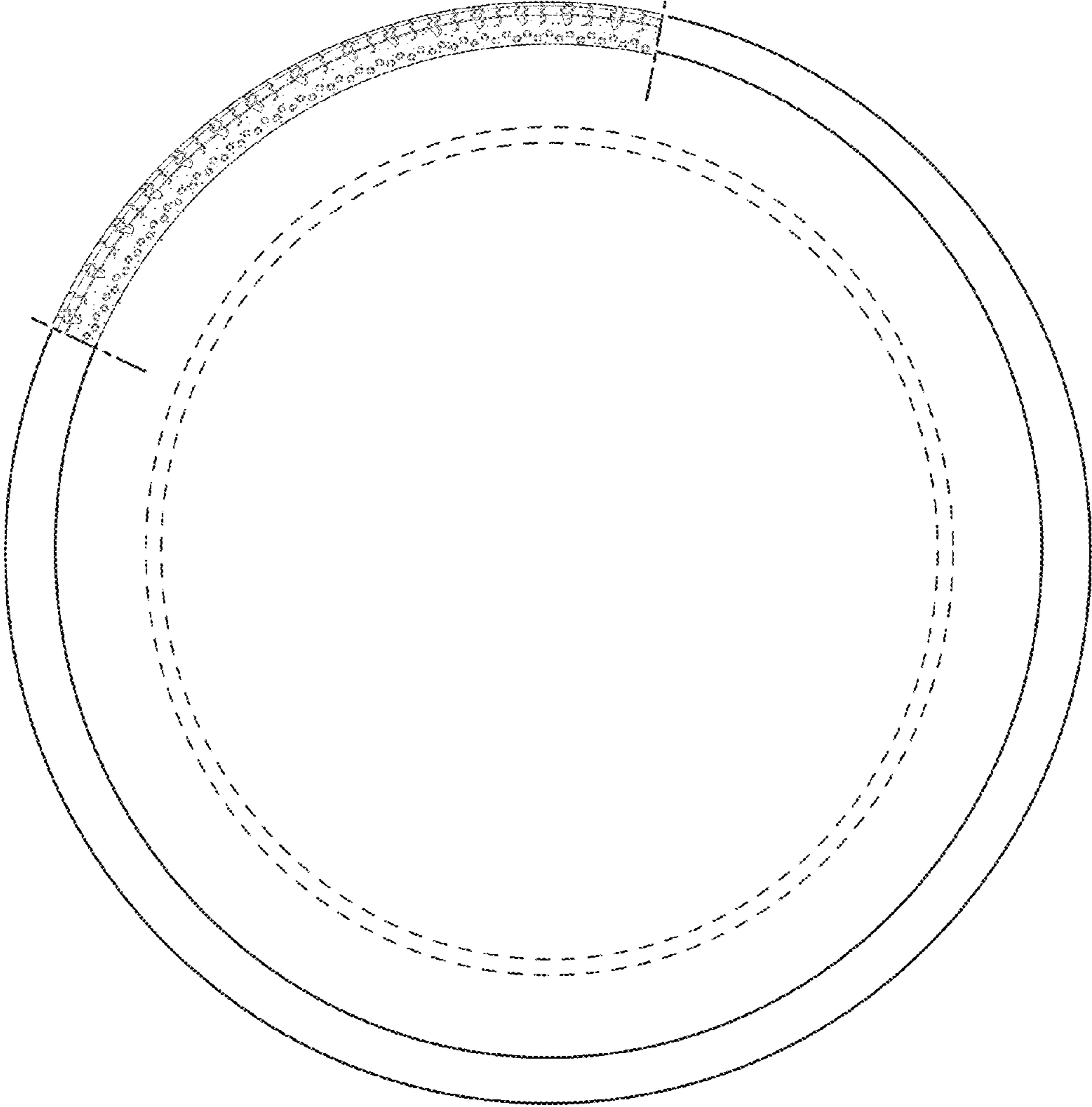


FIG. 5