



US00D731950S

(12) **United States Design Patent**
Fisette et al.

(10) **Patent No.:** **US D731,950 S**
(45) **Date of Patent:** **** Jun. 16, 2015**

- (54) **AIRCRAFT INTERIOR SIDEWALL**
- (71) Applicants: **Armand Fisette**, Thousand Oaks, CA (US); **Magnus Aspegren**, Santa Monica, CA (US); **Sérgio Raphael Fonseca Affonso**, São José dos Campos (BR)
- (72) Inventors: **Armand Fisette**, Thousand Oaks, CA (US); **Magnus Aspegren**, Santa Monica, CA (US); **Sérgio Raphael Fonseca Affonso**, São José dos Campos (BR)

6,601,799	B2 *	8/2003	Lau et al.	244/129.3
6,786,453	B2	9/2004	Jones		
7,118,069	B2	10/2006	Novak et al.		
7,210,655	B2	5/2007	Novak et al.		
D583,296	S *	12/2008	Tsay et al.	D12/345
D592,584	S	5/2009	Schuephaus et al.		
D608,269	S	1/2010	Aruga et al.		
D617,254	S	6/2010	Guard et al.		
8,038,098	B2	10/2011	Johnson et al.		
D654,008	S *	2/2012	Stevens	D12/345
2005/0044712	A1	3/2005	Gideon et al.		
2008/0230653	A1 *	9/2008	Mitchell et al.	244/129.3
2011/0282483	A1	11/2011	Simonetti et al.		
2012/0074258	A1	3/2012	Papke et al.		

(73) Assignee: **EMBRAER S.A.**, São José dos Campos-SP (BR)

* cited by examiner

(**) Term: **14 Years**

Primary Examiner — Cathron Brooks
Assistant Examiner — Katie Mroczka

(21) Appl. No.: **29/451,541**

(74) *Attorney, Agent, or Firm* — Nixon & Vanderhye P.C.

(22) Filed: **Apr. 3, 2013**

(57) **CLAIM**

The ornamental design for “aircraft interior sidewall,” as shown and described.

Related U.S. Application Data

- (62) Division of application No. 29/361,666, filed on May 13, 2010.
- (51) **LOC (10) Cl.** **12-07**
- (52) **U.S. Cl.**
USPC **D12/345**
- (58) **Field of Classification Search**
USPC D12/345, 319, 327, 341; D21/450;
244/55, 119, 118.5; 362/471
See application file for complete search history.

DESCRIPTION

FIG. 1 is a front perspective view thereof,
 FIG. 2 is a front elevation view thereof,
 FIG. 3 is a rear elevation view thereof,
 FIG. 4 is top plan view thereof,
 FIG. 5 is a bottom plan view thereof,
 FIG. 6 is a left side elevation view thereof, the right side elevation view being a mirror image thereof,
 FIG. 7 is a longitudinal cross-sectional view as taken along lines 7-7 in FIG. 2; and,
 FIG. 8 is a latitudinal cross-sectional view as taken along lines 8-8 in FIG. 2.

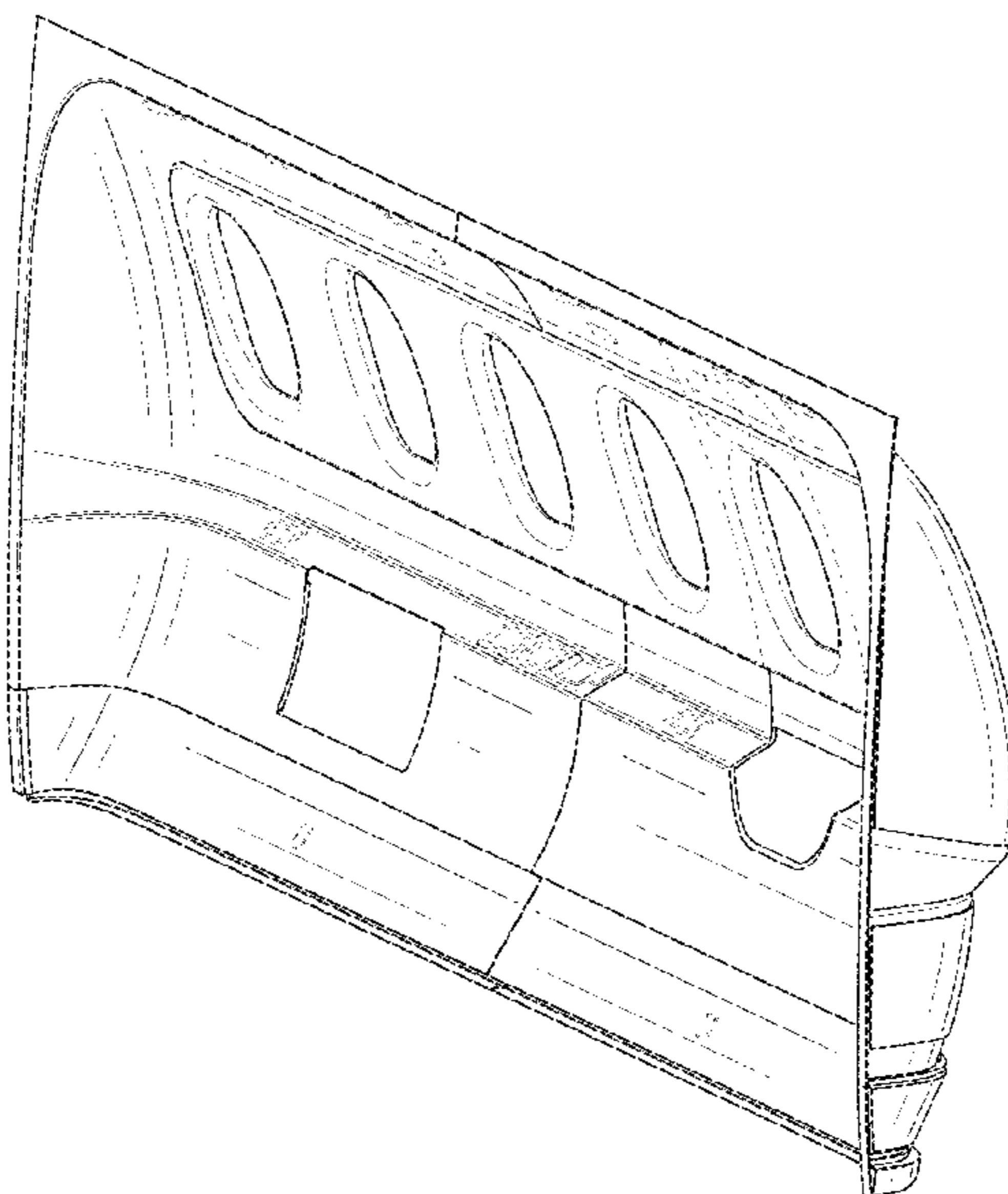
The broken lines in FIGS. 1-8 represent structures in the environment of the claimed design, but do not form part of the claimed design.

(56) **References Cited**

U.S. PATENT DOCUMENTS

2,912,724	A *	11/1959	Wilkes	52/302.3
5,044,578	A *	9/1991	White et al.	244/119
6,129,312	A *	10/2000	Weber	244/118.5
D463,357	S	9/2002	Granzeier et al.		

1 Claim, 5 Drawing Sheets



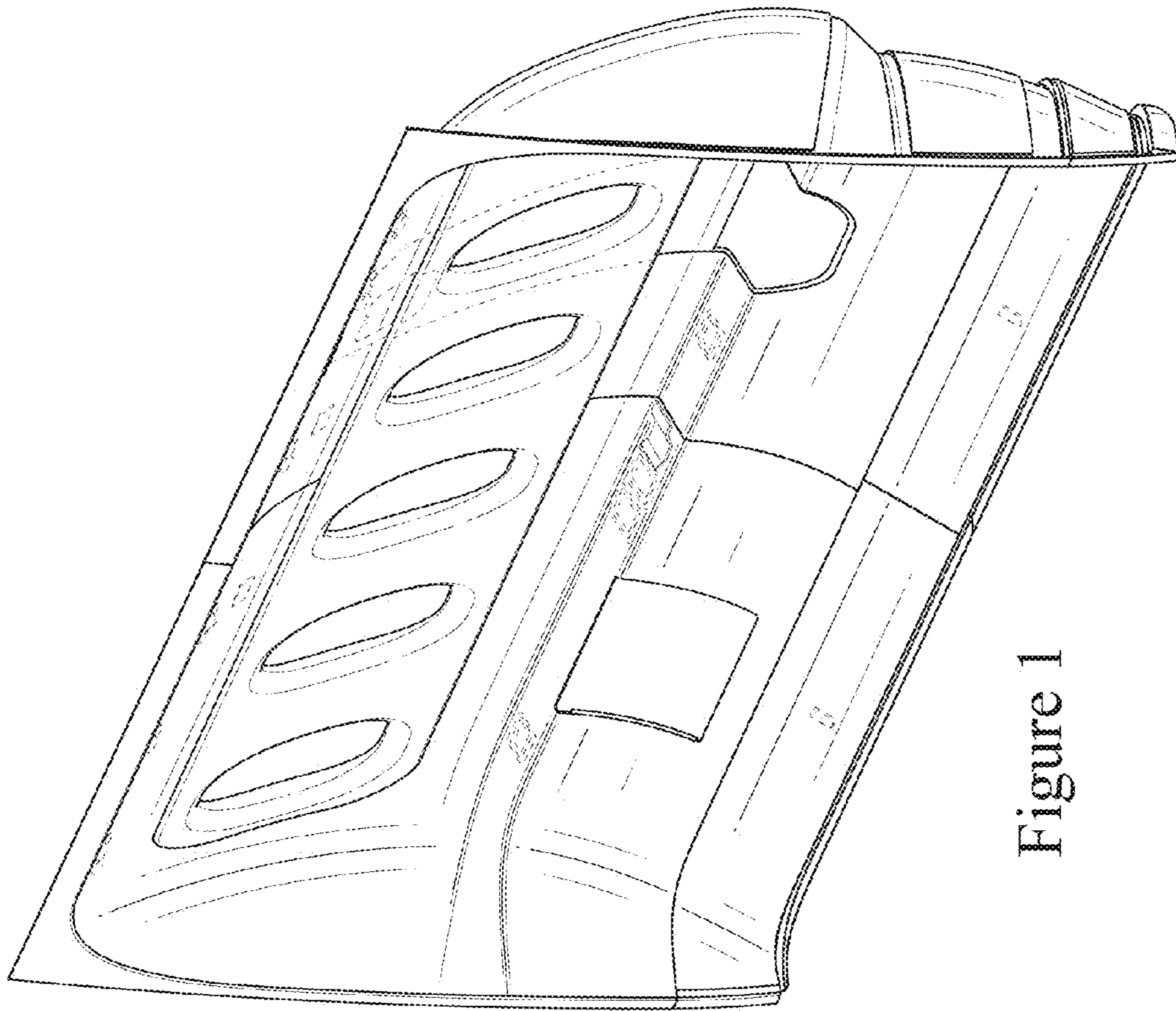


Figure 1

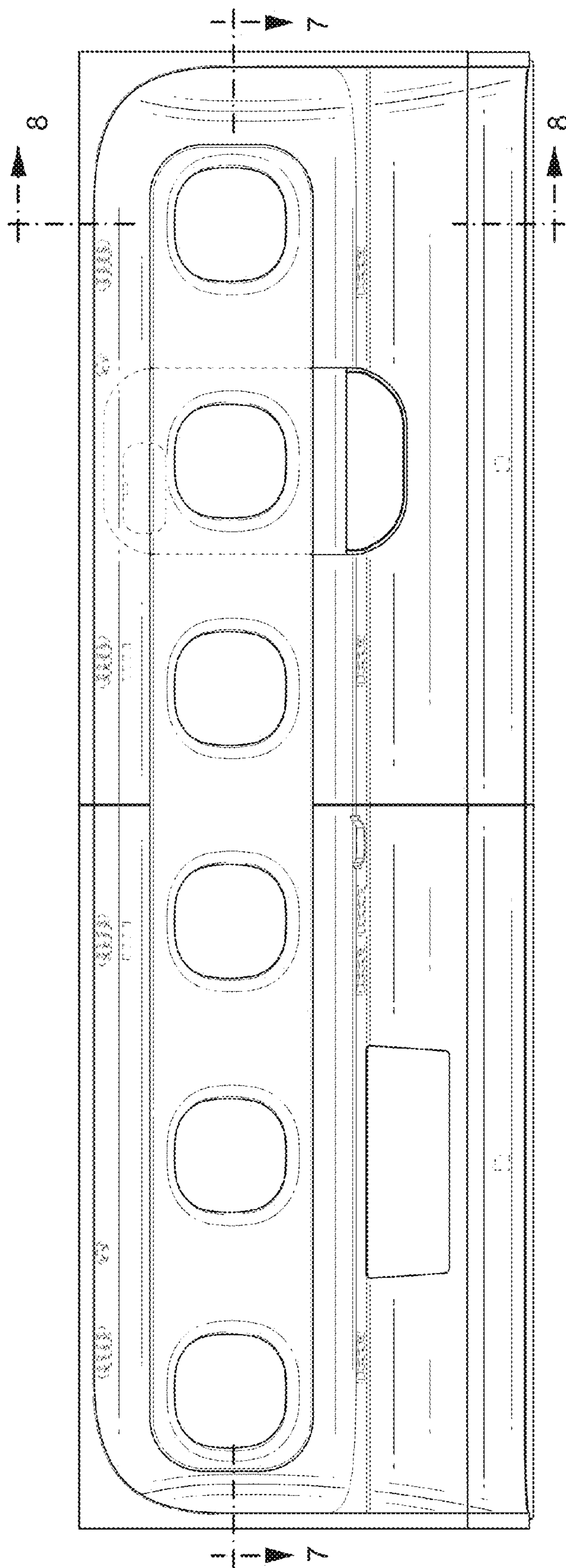


Figure 2

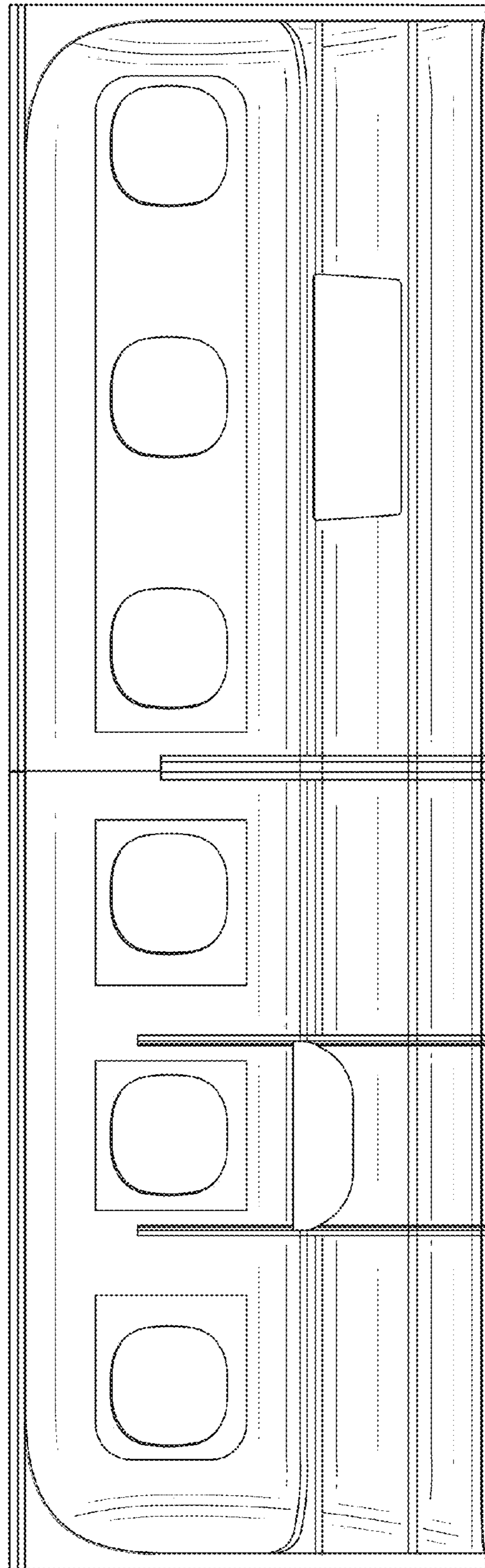


Figure 3

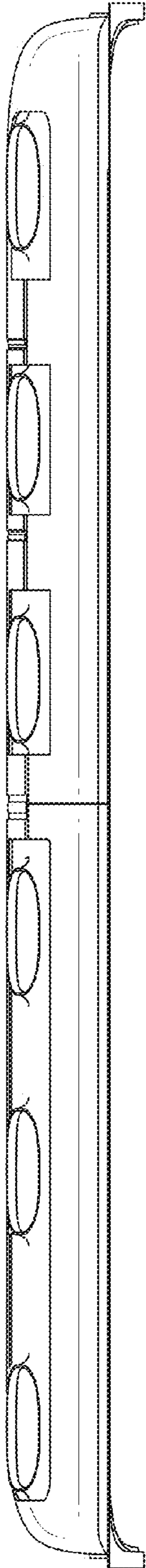


Figure 4

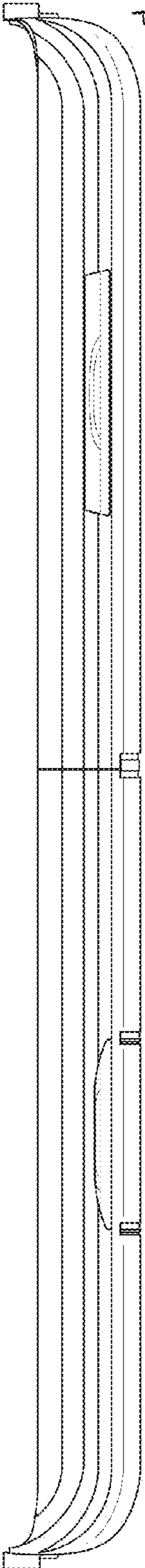


Figure 5

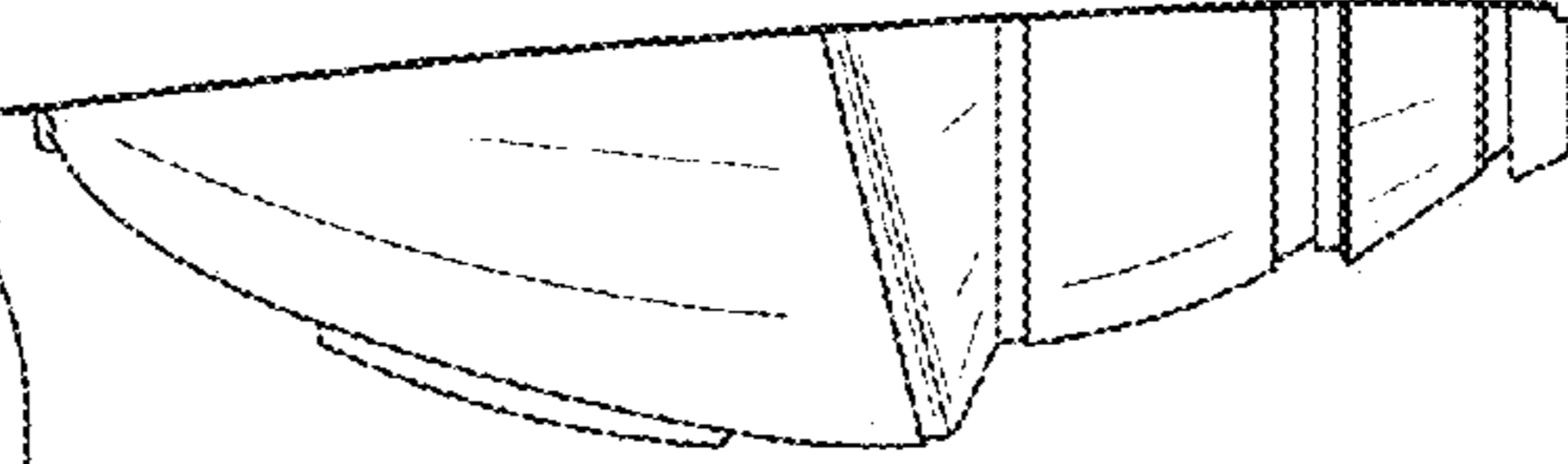


Figure 6

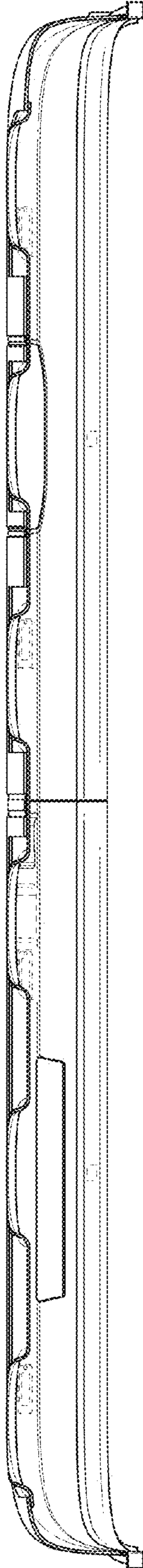


Figure 7

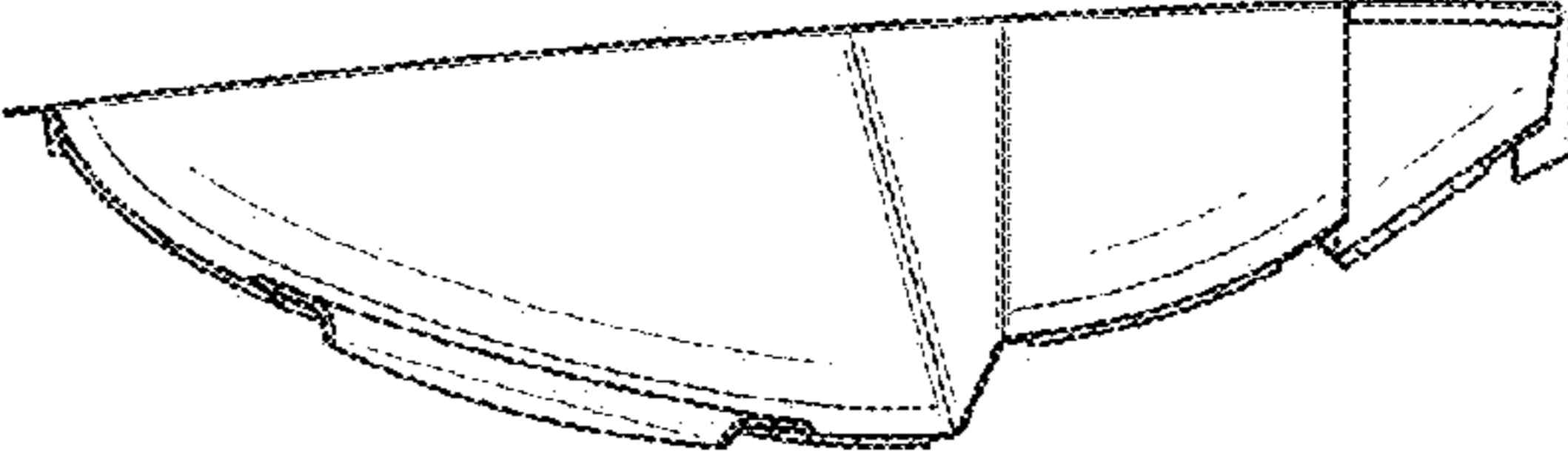


Figure 8