



US00D731946S

(12) **United States Design Patent**  
**Chung**

(10) **Patent No.:** **US D731,946 S**  
(45) **Date of Patent:** **\*\* Jun. 16, 2015**

(54) **AUTOMOTIVE WHEEL**

(71) Applicant: **Suny Chung**, Anaheim, CA (US)

(72) Inventor: **Suny Chung**, Anaheim, CA (US)

(\*\*) Term: **14 Years**

(21) Appl. No.: **29/500,254**

(22) Filed: **Aug. 22, 2014**

(51) **LOC (10) Cl.** ..... **12-16**

(52) **U.S. Cl.**  
USPC ..... **D12/211**

(58) **Field of Classification Search**  
USPC ..... D12/204–213  
CPC ..... B60B 7/00; B60B 7/02; B60B 7/04;  
B60B 7/01; B60B 7/06; B60B 3/02; B60B  
3/04; B60B 3/06; B60B 3/10; B60B 1/00;  
B60B 1/08; B60B 1/10; B60B 1/12  
See application file for complete search history.

(56) **References Cited**

**U.S. PATENT DOCUMENTS**

D470,812 S	*	2/2003	Chu	.....	D12/211
D480,036 S	*	9/2003	Laengerer	.....	D12/211
D501,817 S	*	2/2005	Pfeiffer	.....	D12/211
D514,050 S	*	1/2006	Scheu	.....	D12/211
D579,845 S	*	11/2008	Chung	.....	D12/209

D586,715 S	*	2/2009	Cortes	.....	D12/211
D614,112 S	*	4/2010	Tant et al.	.....	D12/211
D649,101 S	*	11/2011	Hale, Jr.	.....	D12/209
D670,227 S	*	11/2012	Chung	.....	D12/211
D688,187 S	*	8/2013	McMath	.....	D12/209
D691,937 S	*	10/2013	Chan	.....	D12/209
D704,617 S	*	5/2014	Chung	.....	D12/211
D706,197 S	*	6/2014	Chung	.....	D12/211
D709,020 S	*	7/2014	Chung	.....	D12/211
D719,893 S	*	12/2014	Kim	.....	D12/211

\* cited by examiner

*Primary Examiner* — Stacia Cadmus

(57) **CLAIM**

The ornamental design for an automotive wheel, as shown and described.

**DESCRIPTION**

FIG. 1 is a perspective view of an automotive wheel, showing my new design; and

FIG. 2 is a front view thereof

FIG. 3 is a perspective view of a second embodiment of automotive wheel, showing my new design without center cap; and,

FIG. 4 is a front view of FIG. 3.

The broken line showing of the rear portion of the wheel is included for the purpose of illustrating environment and forms no part of the claimed design.

**1 Claim, 4 Drawing Sheets**

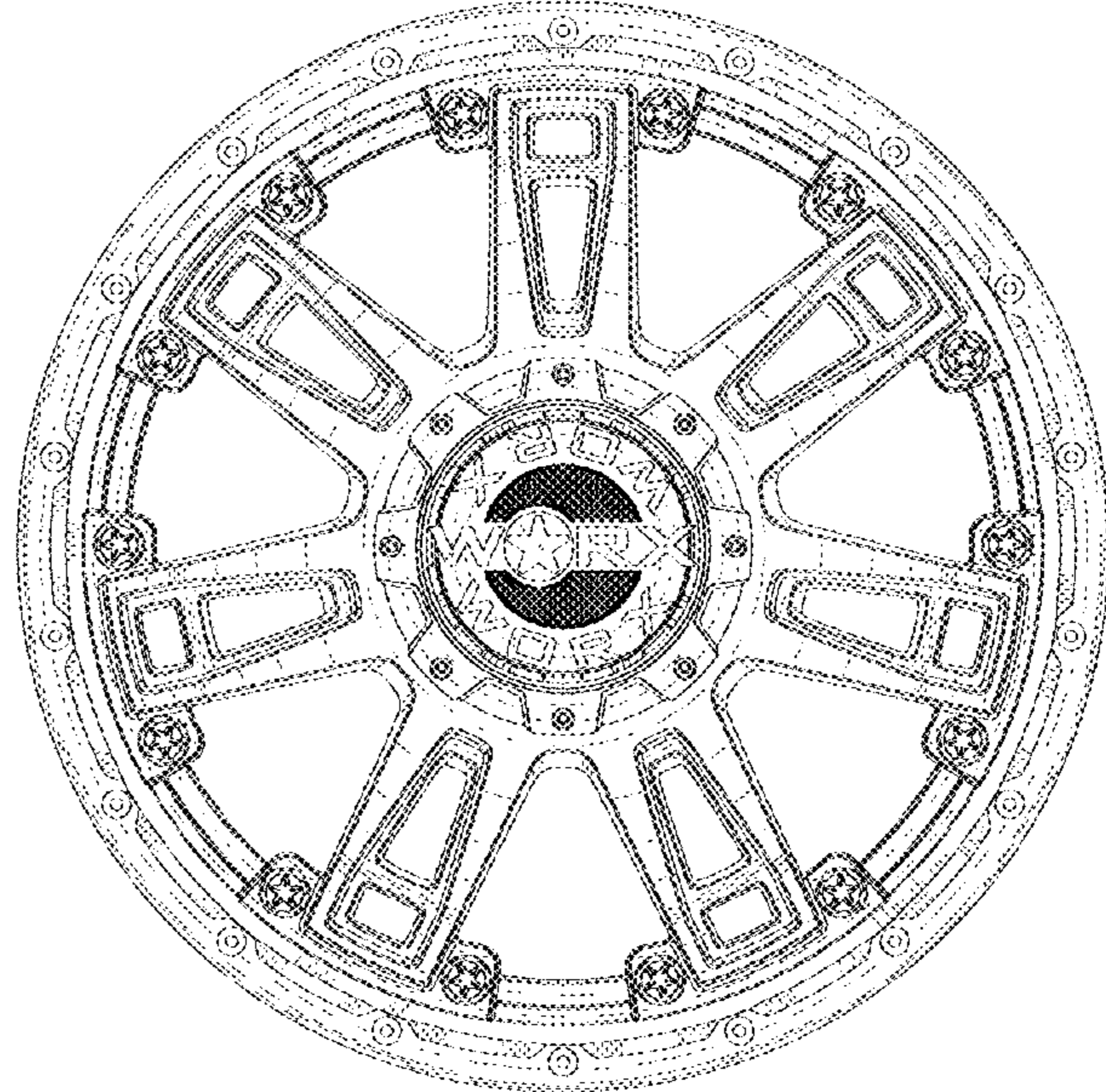
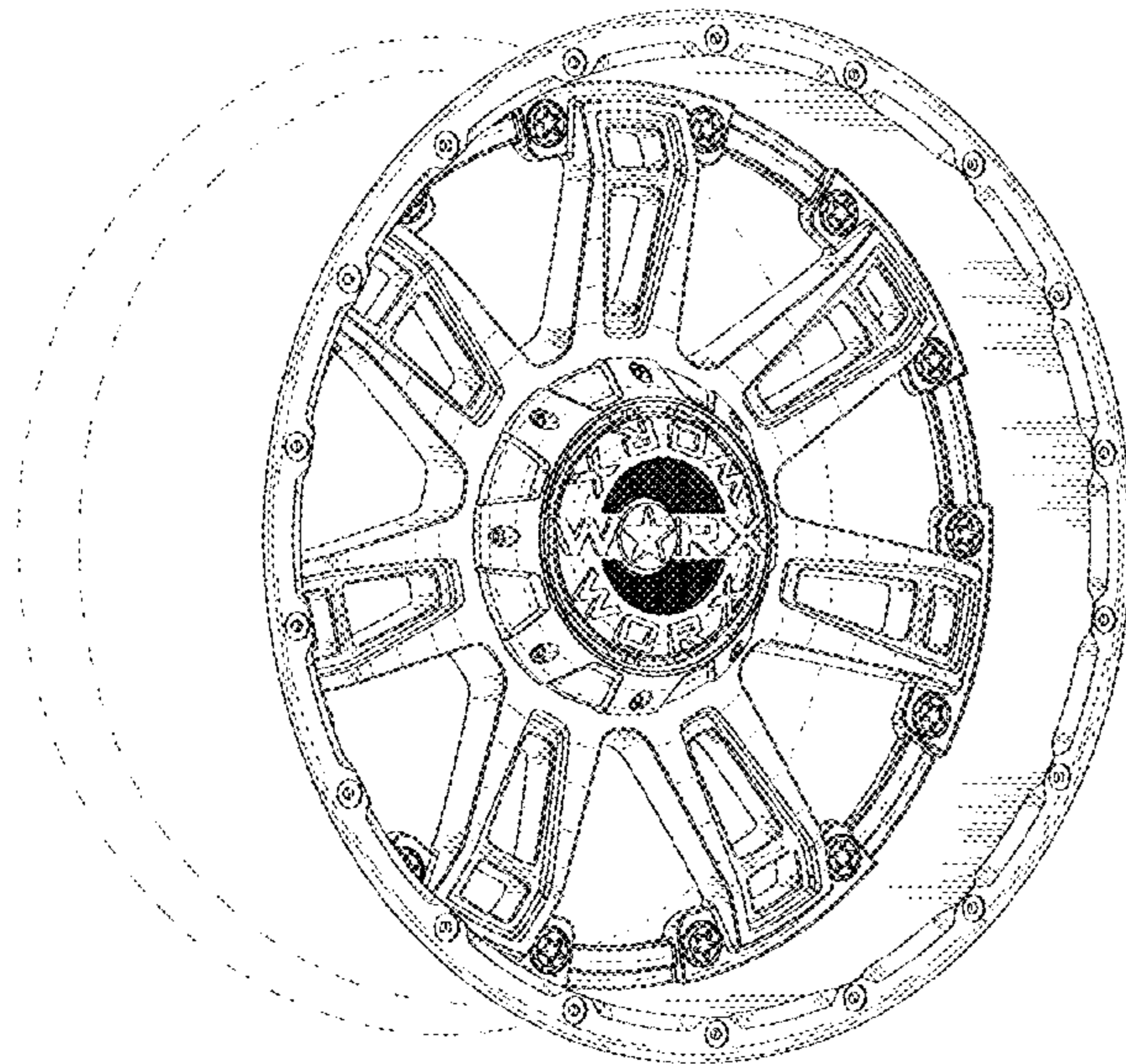




FIGURE 1

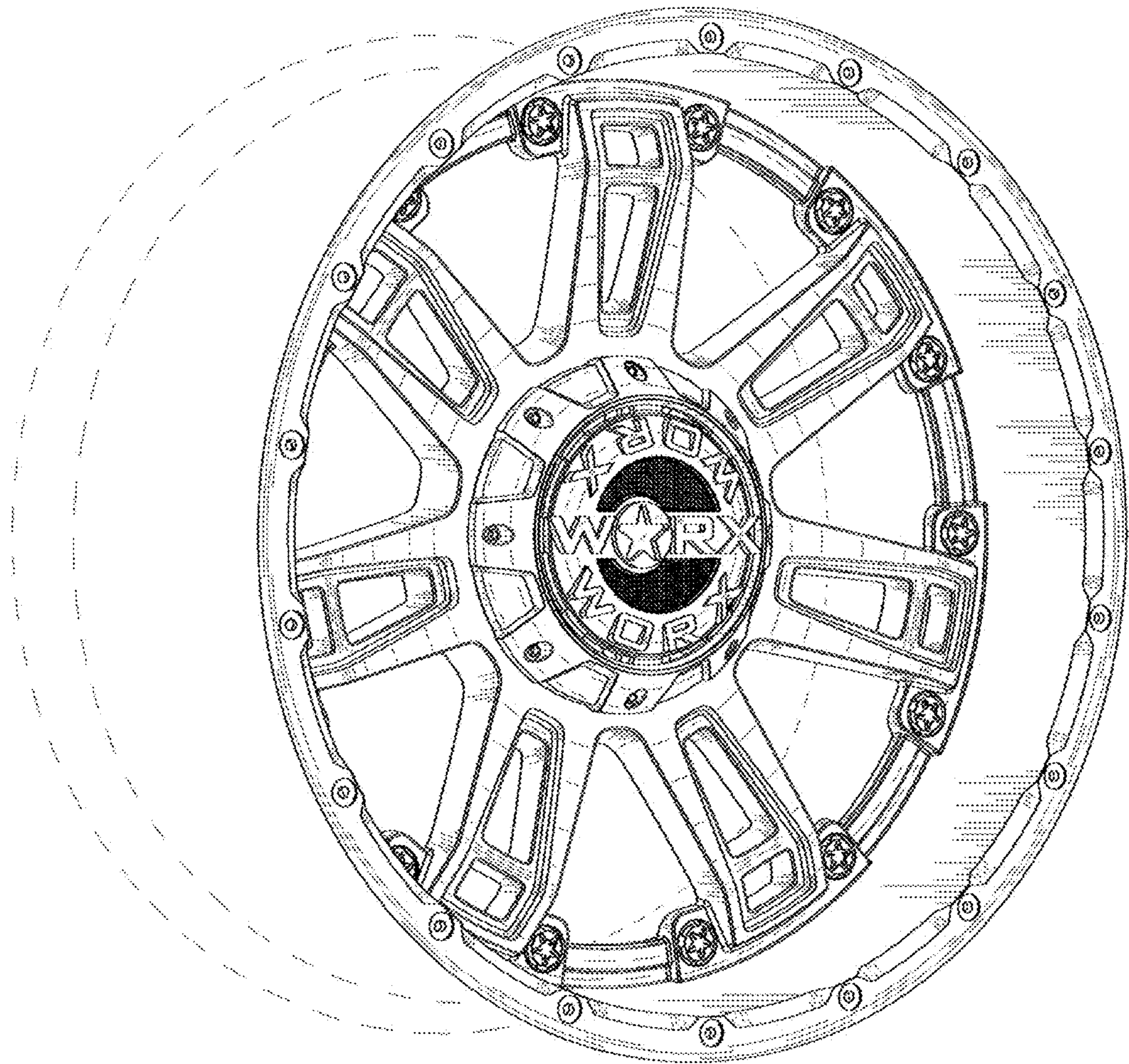




FIGURE 2

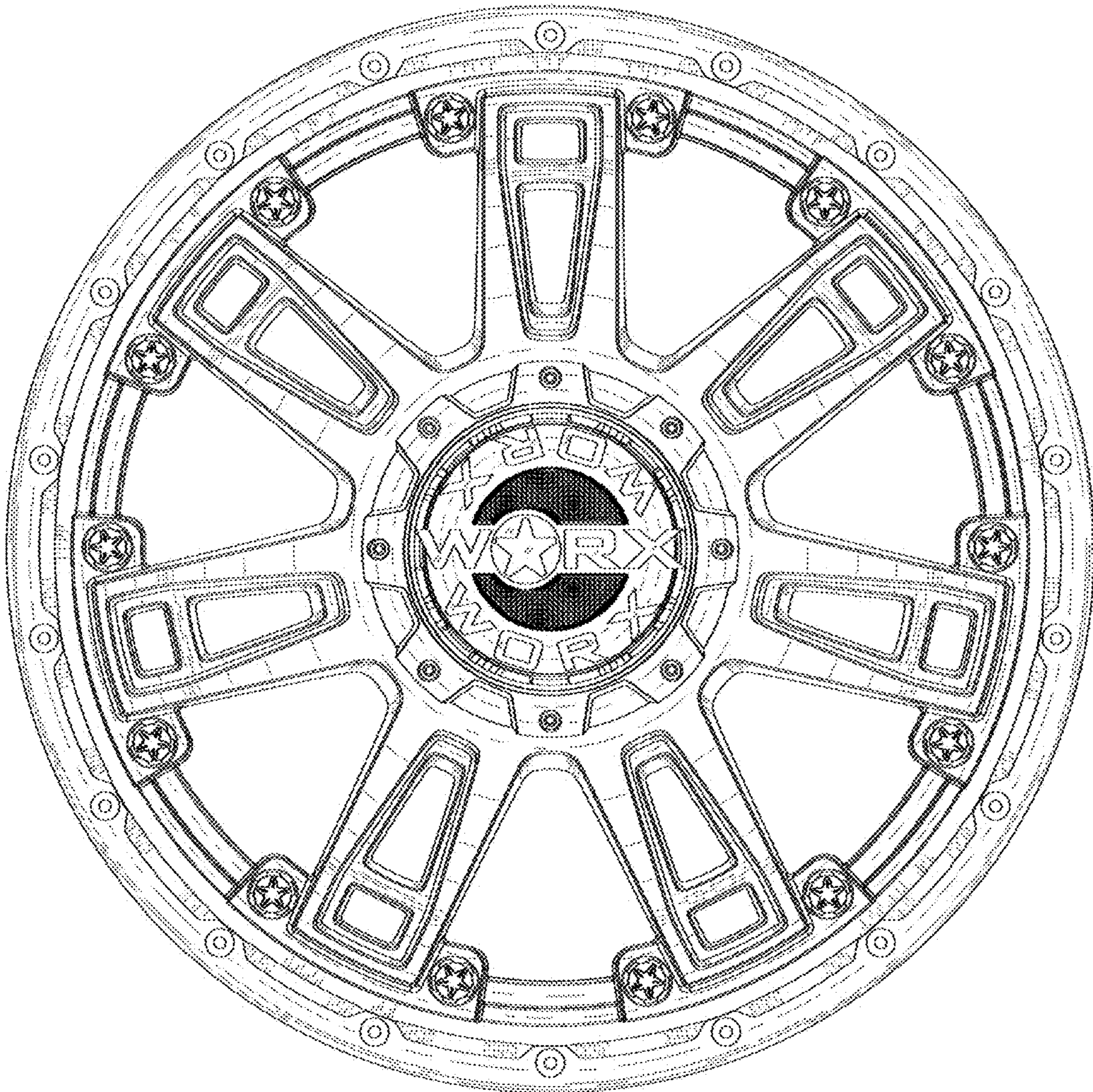




FIGURE 3

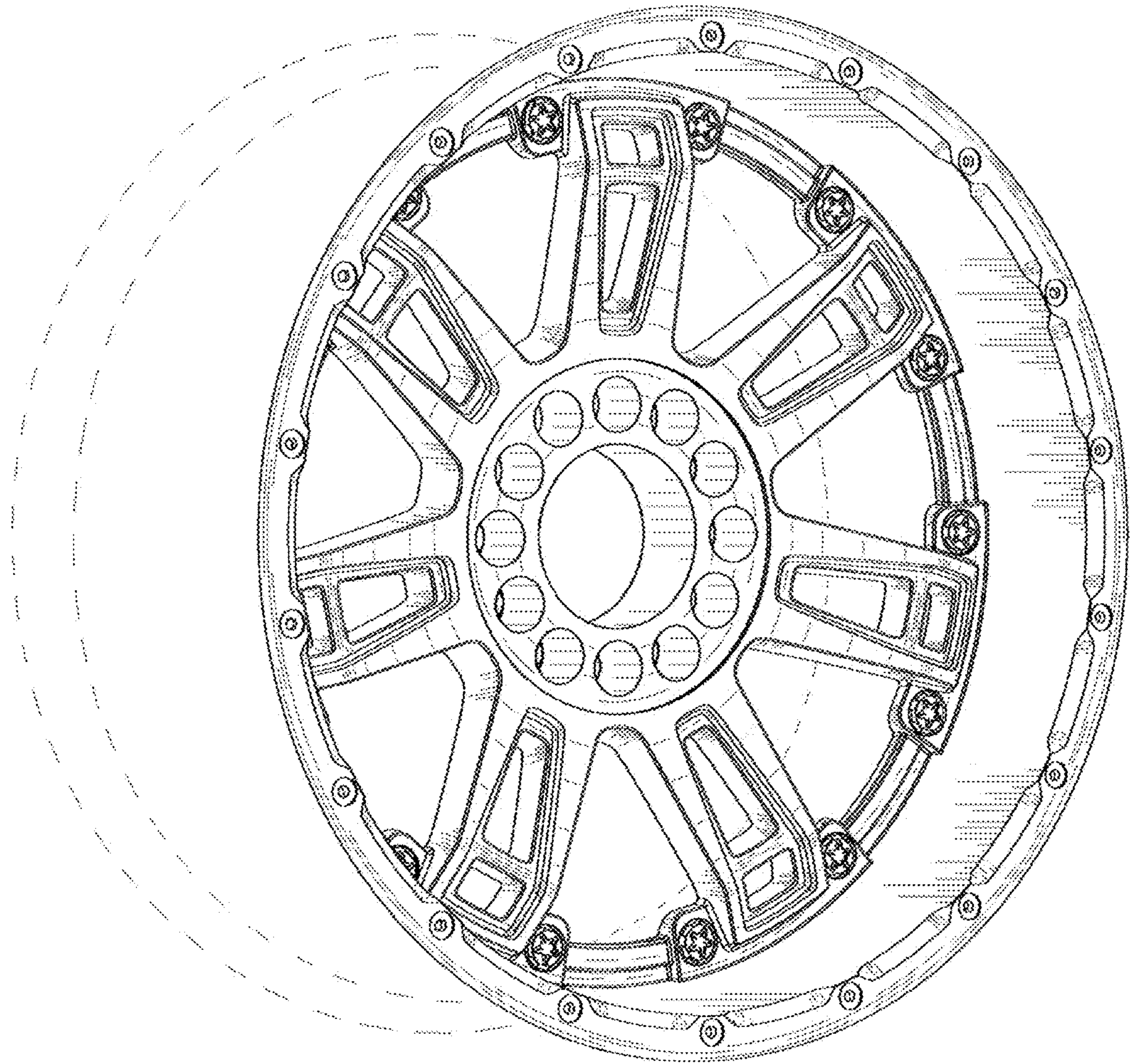




FIGURE 4

