



US00D731945S

(12) **United States Design Patent**
Kern

(10) **Patent No.:** **US D731,945 S**
(45) **Date of Patent:** **** Jun. 16, 2015**

(54) **FRONT FACE OF A VEHICLE WHEEL**

(71) Applicant: **VOSEN WHEELS, INC.**, Miami, FL (US)

(72) Inventor: **Steven Kern**, Miami Beach, FL (US)

(73) Assignee: **VOSEN WHEELS, INC.**, Doral, FL (US)

(**) Term: **14 Years**

(21) Appl. No.: **29/496,001**

(22) Filed: **Jul. 8, 2014**

Related U.S. Application Data

(63) Continuation of application No. 29/475,447, filed on Dec. 3, 2013, now Pat. No. Des. 708,562, which is a continuation of application No. 29/465,929, filed on Sep. 3, 2013, now Pat. No. Des. 694,695.

(51) **LOC (10) Cl.** **12-16**

(52) **U.S. Cl.**
USPC **D12/211**

(58) **Field of Classification Search**
USPC D12/204–213
CPC B60B 7/00; B60B 7/02; B60B 7/04;
B60B 7/01; B60B 7/06; B60B 3/02; B60B 3/04;
B60B 3/06; B60B 3/10; B60B 1/00;
B60B 1/08; B60B 1/10; B60B 1/12
See application file for complete search history.

(56) **References Cited**

U.S. PATENT DOCUMENTS

D402,951 S	12/1998	Wechner
D450,649 S	11/2001	Penzes
D453,494 S	2/2002	Brown et al.
D457,118 S	5/2002	Bhambra
D464,009 S	10/2002	Laengerer

D466,851 S	12/2002	Pfeiffer et al.	
D479,178 S	9/2003	Lai	
D493,763 S	8/2004	Sands	
D499,686 S	12/2004	Song	
D520,931 S	5/2006	Hieke	
D522,954 S	6/2006	Hueller	
D535,604 S	1/2007	Markefka	
D610,516 S	2/2010	Dilber et al.	
D625,244 S	10/2010	Zhao	
D634,690 S	3/2011	Wiesinger	
D639,227 S	6/2011	Leclercq	
D658,105 S	4/2012	Hans et al.	
D666,959 S	9/2012	Lucaora	
D678,165 S	3/2013	Zhao	
D681,539 S	5/2013	Zhao	
D682,182 S	5/2013	Zhao	
D682,185 S	5/2013	Zhao	
D682,767 S	5/2013	Zhao	
D682,770 S	5/2013	Zhao	
D685,310 S	7/2013	Alfonso	
D687,757 S	8/2013	Lemke	
D690,252 S	9/2013	Bernoni	
D694,695 S	12/2013	Kern	
D697,014 S	1/2014	Stolz	
D697,017 S	1/2014	Holstein	
D708,562 S	7/2014	Kern	
D722,002 S *	2/2015	Stolz	D12/211

* cited by examiner

Primary Examiner — Stacia Cadmus

(74) *Attorney, Agent, or Firm* — Berenato & White, LLC

(57) **CLAIM**

The ornamental design for a front face of a vehicle wheel, as shown and described.

DESCRIPTION

FIG. 1 is a front view of a vehicle wheel showing my new design; and, FIG. 2 is a top and left side perspective view of the wheel shown in FIG. 1.

1 Claim, 2 Drawing Sheets

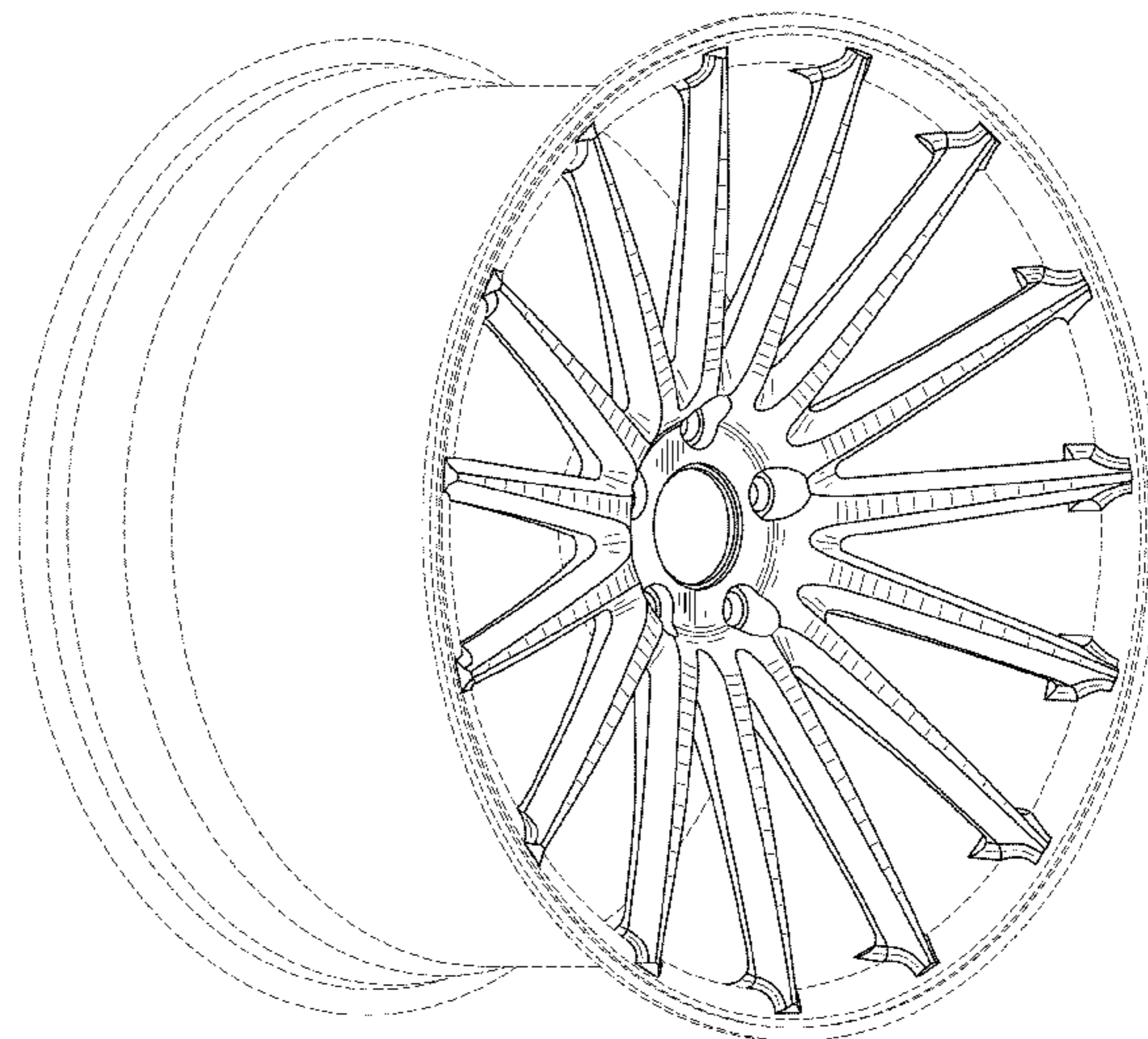
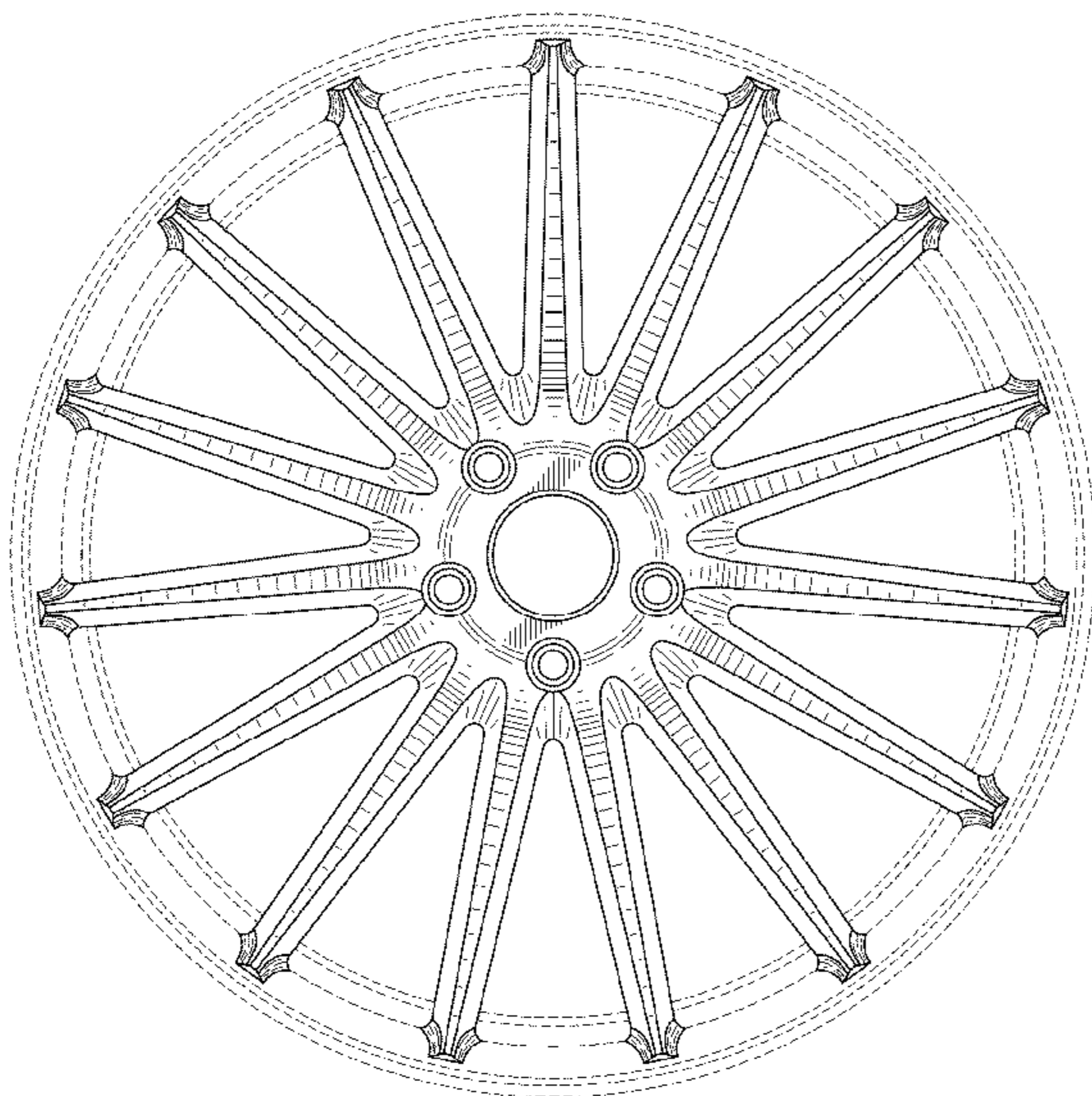


Fig. 1

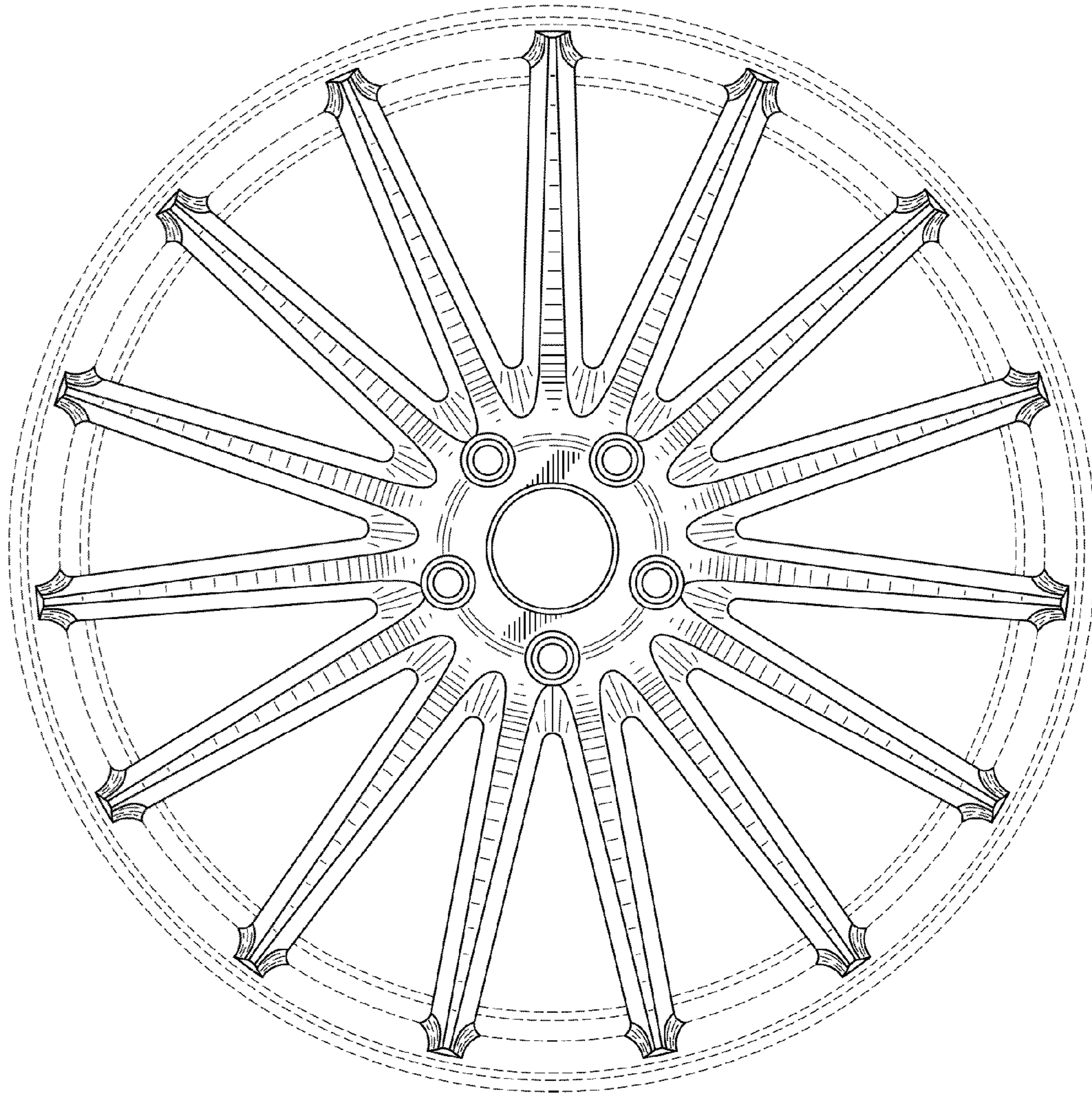


Fig. 2

