



US00D731944S

(12) **United States Design Patent**  
**Kern**

(10) **Patent No.:** **US D731,944 S**  
(45) **Date of Patent:** **\*\* Jun. 16, 2015**

(54) **FRONT FACE OF A VEHICLE WHEEL**

(71) Applicant: **VOSEN WHEELS, INC**, Miami, FL (US)

(72) Inventor: **Steven Kern**, Miami Beach, FL (US)

(73) Assignee: **VOSEN WHEELS, INC.**, Doral, FL (US)

(\*\*) Term: **14 Years**

(21) Appl. No.: **29/489,369**

(22) Filed: **Apr. 29, 2014**

**Related U.S. Application Data**

(63) Continuation of application No. 29/468,591, filed on Oct. 1, 2013, now Pat. No. Des. 703,602, which is a continuation of application No. 29/435,702, filed on Oct. 26, 2012, now Pat. No. Des. 690,643.

(51) **LOC (10) Cl.** ..... **12-16**

(52) **U.S. Cl.**  
USPC ..... **D12/211**

(58) **Field of Classification Search**  
USPC ..... D12/204–213  
CPC ..... B60B 7/00; B60B 7/02; B60B 7/04;  
B60B 7/01; B60B 7/06; B60B 3/02; B60B 3/04;  
B60B 3/06; B60B 3/10; B60B 1/00; B60B 1/08;  
B60B 1/10; B60B 1/12  
See application file for complete search history.

(56) **References Cited**

**U.S. PATENT DOCUMENTS**

D410,618 S 6/1999 Hussaini et al.  
D515,003 S 2/2006 Echazabal  
D542,211 S 5/2007 Hieke

D553,550 S 10/2007 Tirado  
D596,100 S 7/2009 Aroney  
D596,549 S 7/2009 Varga  
D605,999 S 12/2009 Stopp  
D619,073 S 7/2010 Groom  
D622,200 S 8/2010 Zhao  
D630,567 S 1/2011 Ettensberger  
D634,252 S 3/2011 Johnson  
D635,906 S 4/2011 Futschik et al.  
D649,104 S 11/2011 Gallert  
D649,922 S 12/2011 Hans et al.  
D656,078 S 3/2012 Hans et al.  
D656,879 S 4/2012 Gallert  
D659,071 S 5/2012 Hale, Jr.  
D670,633 S 11/2012 Kato et al.  
D676,795 S 2/2013 Wachter  
D685,711 S 7/2013 Hale, Jr.  
D690,643 S 10/2013 Kern  
D703,602 S \* 4/2014 Kern ..... D12/211  
D709,019 S \* 7/2014 Hale, Jr. .... D12/211  
D716,713 S \* 11/2014 Hale, Jr. .... D12/211

\* cited by examiner

*Primary Examiner* — Stacia Cadmus

(74) *Attorney, Agent, or Firm* — Berenato & White, LLC

(57) **CLAIM**

The ornamental design for a front face of a vehicle wheel, as shown and described.

**DESCRIPTION**

FIG. 1 is a front view of a vehicle wheel showing my new design; and, FIG. 2 is a top and left side perspective view of the wheel shown in FIG. 1.

**1 Claim, 2 Drawing Sheets**

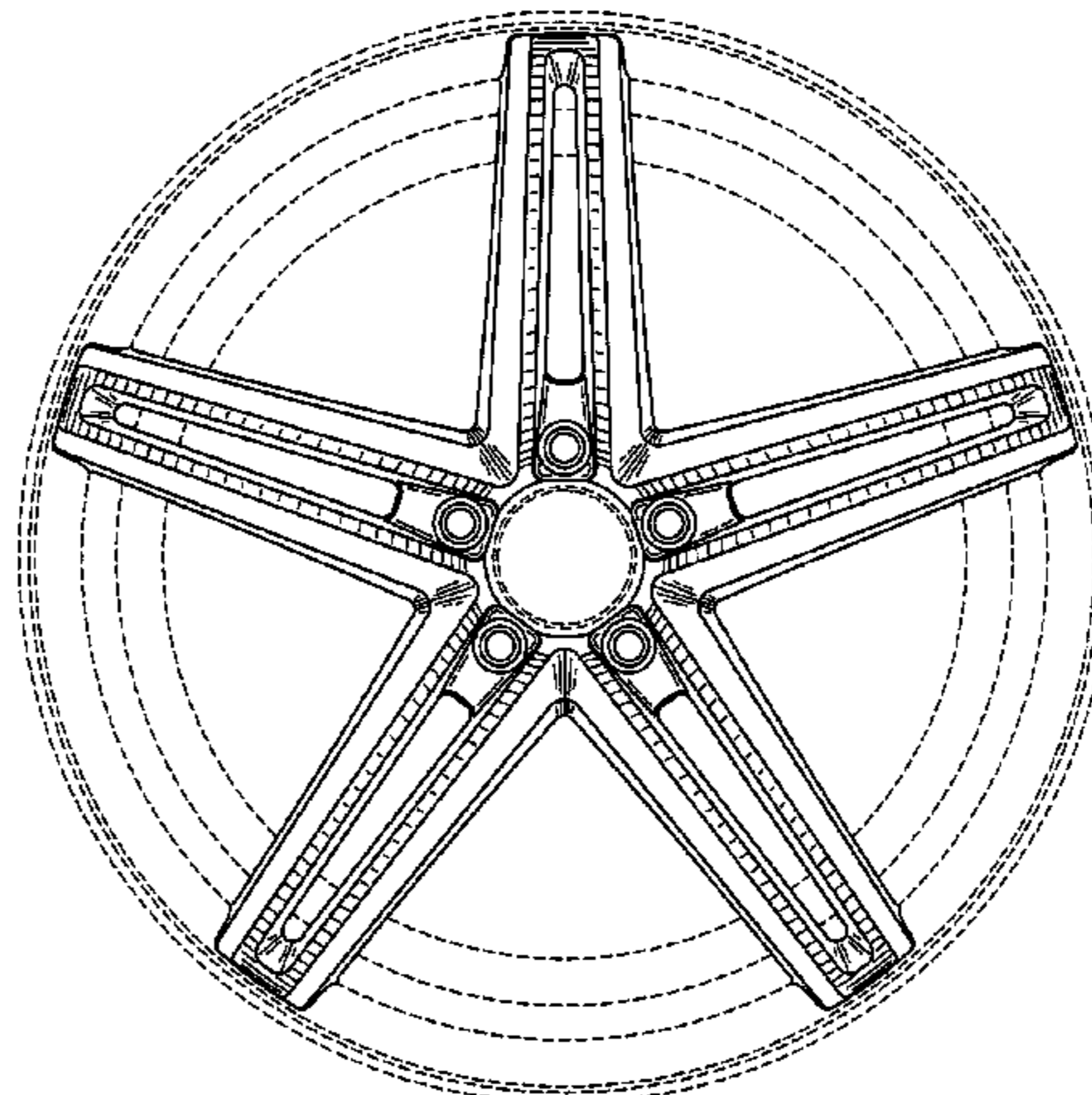
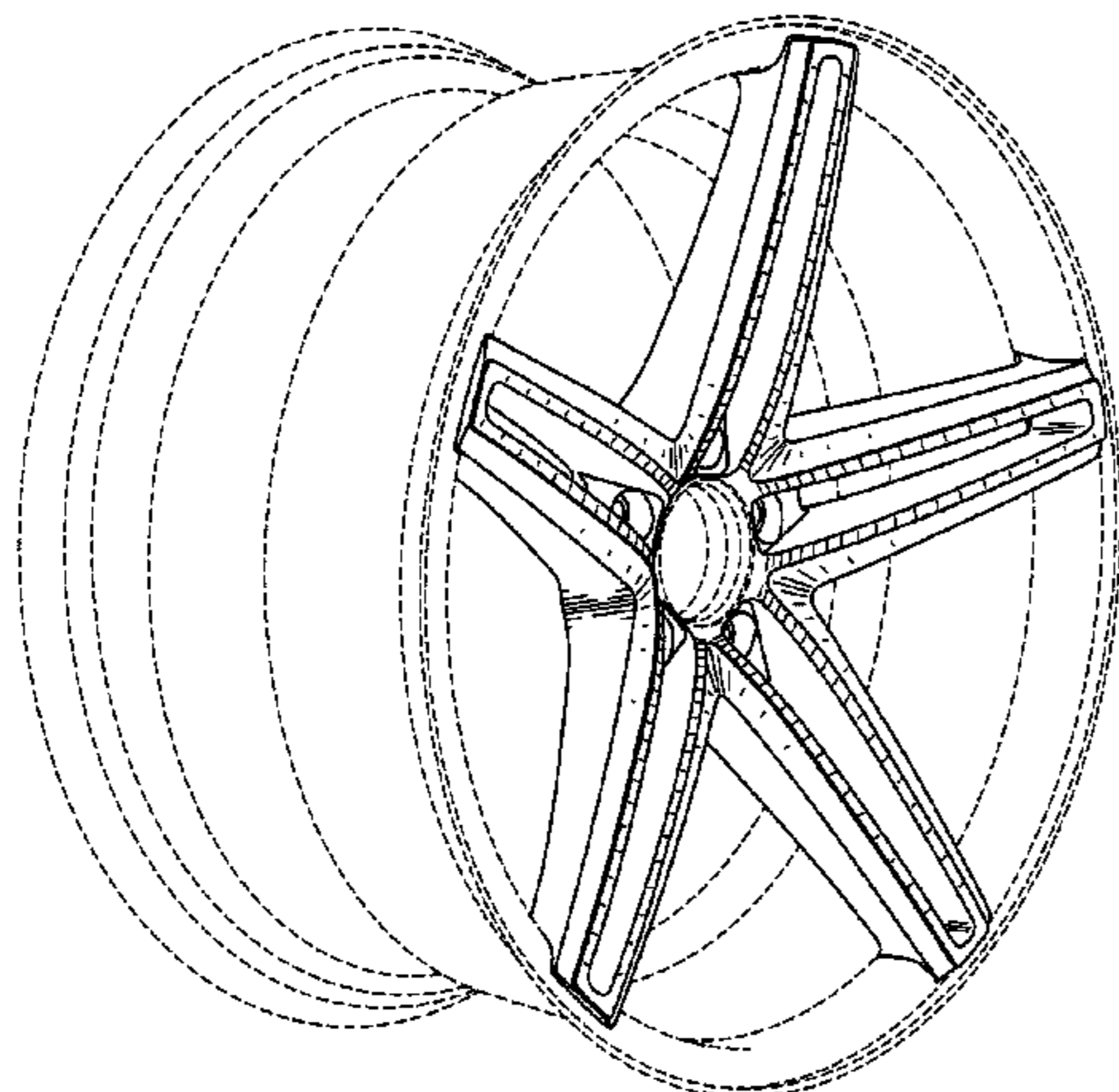


Fig. 1

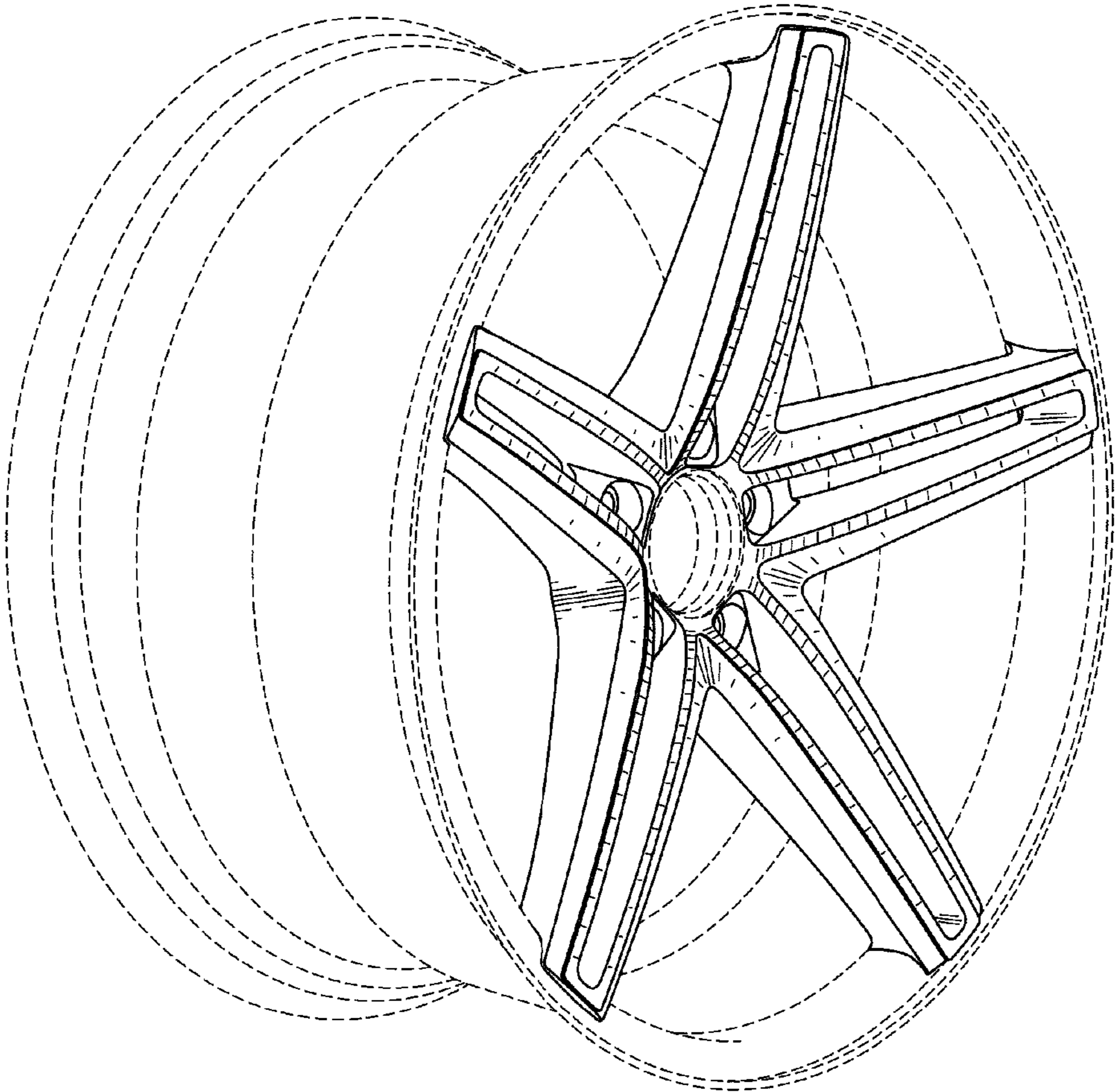


Fig. 2

