



US00D731942S

(12) **United States Design Patent**
Hammoud et al.

(10) **Patent No.:** **US D731,942 S**
(45) **Date of Patent:** **** Jun. 16, 2015**

(54) **VEHICLE REAR DECKLID**

(71) Applicants: **Mohamad J Hammoud**, Lake Orion, MI (US); **Mark D Hall**, Rochester Hills, MI (US); **Brandon L Faurote**, Rochester, MI (US)

(72) Inventors: **Mohamad J Hammoud**, Lake Orion, MI (US); **Mark D Hall**, Rochester Hills, MI (US); **Brandon L Faurote**, Rochester, MI (US)

(73) Assignee: **FCA US LLC**, Auburn Hills, MI (US)

(**) Term: **14 Years**

(21) Appl. No.: **29/493,948**

(22) Filed: **Jun. 16, 2014**

Related U.S. Application Data

(63) Continuation-in-part of application No. 29/476,470, filed on Dec. 13, 2013, now Pat. No. Des. 718,666.

(51) **LOC (10) Cl.** **12-16**

(52) **U.S. Cl.**
USPC **D12/196**

(58) **Field of Classification Search**
USPC D12/169, 216, 90-92, 86, 171, 196,
D12/163; 293/102, 113, 115, 117, 120;
296/180.1, 180.2
CPC B62D 25/08; B60R 19/02; B60R 19/03;
B60R 19/04
See application file for complete search history.

(56) **References Cited**

U.S. PATENT DOCUMENTS

| | | | | |
|--------------|---------|-----------------|-------|---------|
| D659,608 S * | 5/2012 | Robinson | | D12/169 |
| D680,931 S * | 4/2013 | Schmeckpeper | | D12/196 |
| D684,911 S * | 6/2013 | Thurber | | D12/196 |
| D698,717 S * | 2/2014 | Kobayashi | | D12/196 |
| D701,802 S * | 4/2014 | Campbell et al. | | D12/169 |
| D713,309 S * | 9/2014 | Scheinhuette | | D12/196 |
| D715,712 S * | 10/2014 | Thompson | | D12/196 |

* cited by examiner

Primary Examiner — Melody N Brown

(74) *Attorney, Agent, or Firm* — Ralph E Smith

(57) **CLAIM**

The ornamental design for a vehicle rear decklid, as shown and described.

DESCRIPTION

FIG. 1 is a top, front and side perspective view and of a vehicle rear decklid showing our new design;

FIG. 2 is a front view thereof.

FIG. 3 is a top, front and opposite side perspective view thereof;

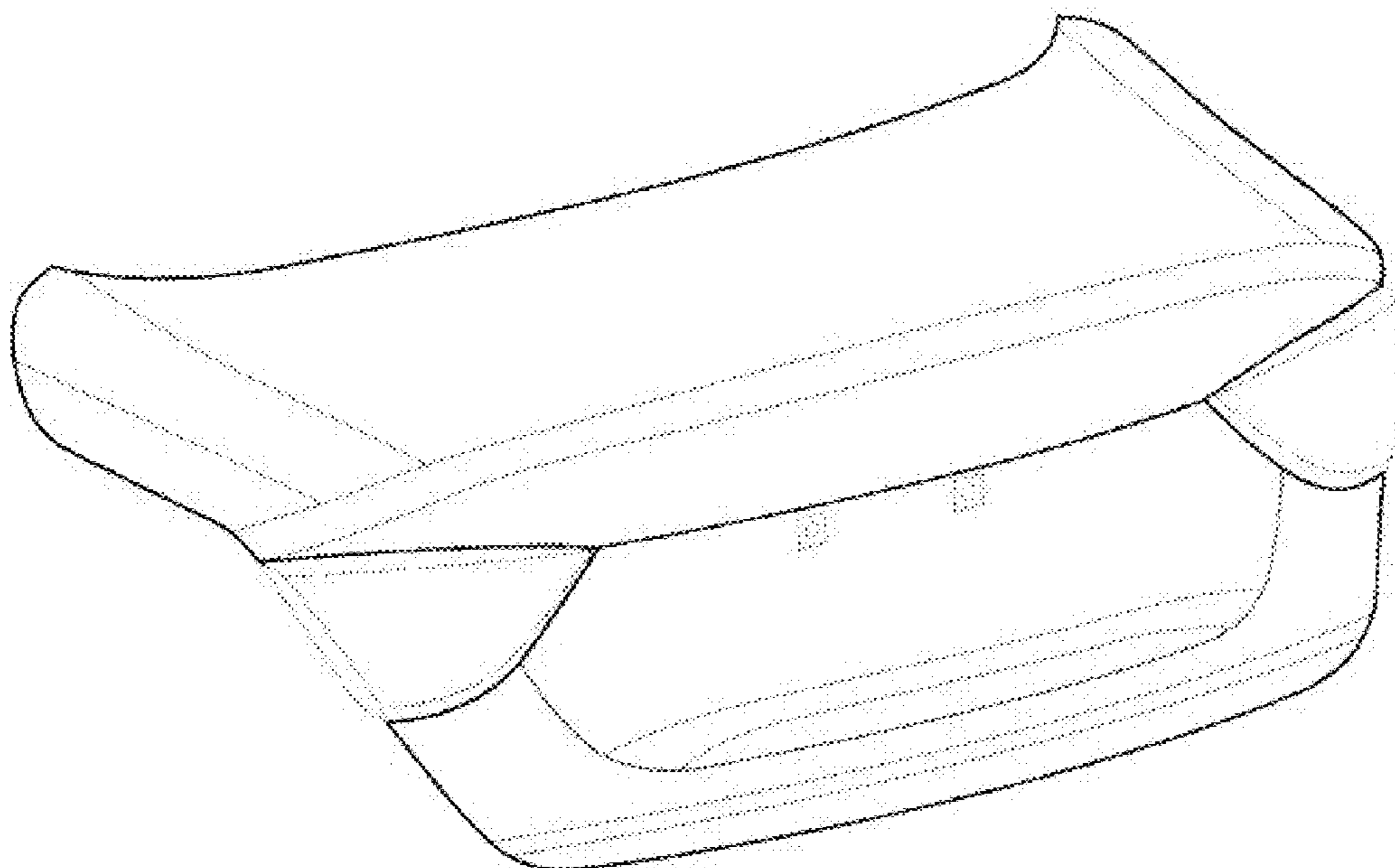
FIG. 4 is a side elevational view thereof;

FIG. 5 is a bottom plan view thereof; and,

FIG. 6 is an opposite side elevational view thereof.

It will be understood that the broken lines shown in the drawings illustrate portions of the vehicle rear decklid that form no part of claimed design.

1 Claim, 3 Drawing Sheets



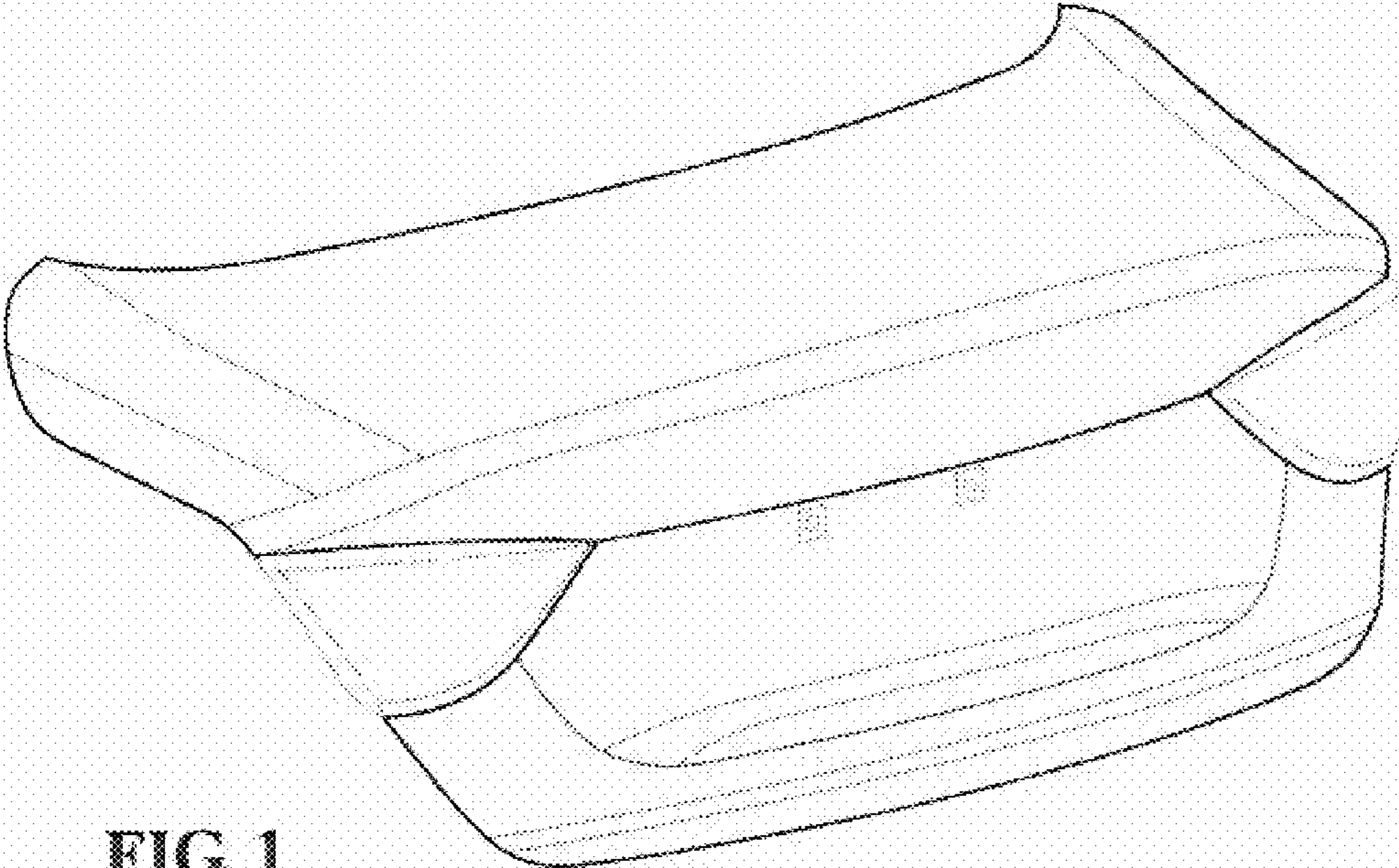


FIG. 1

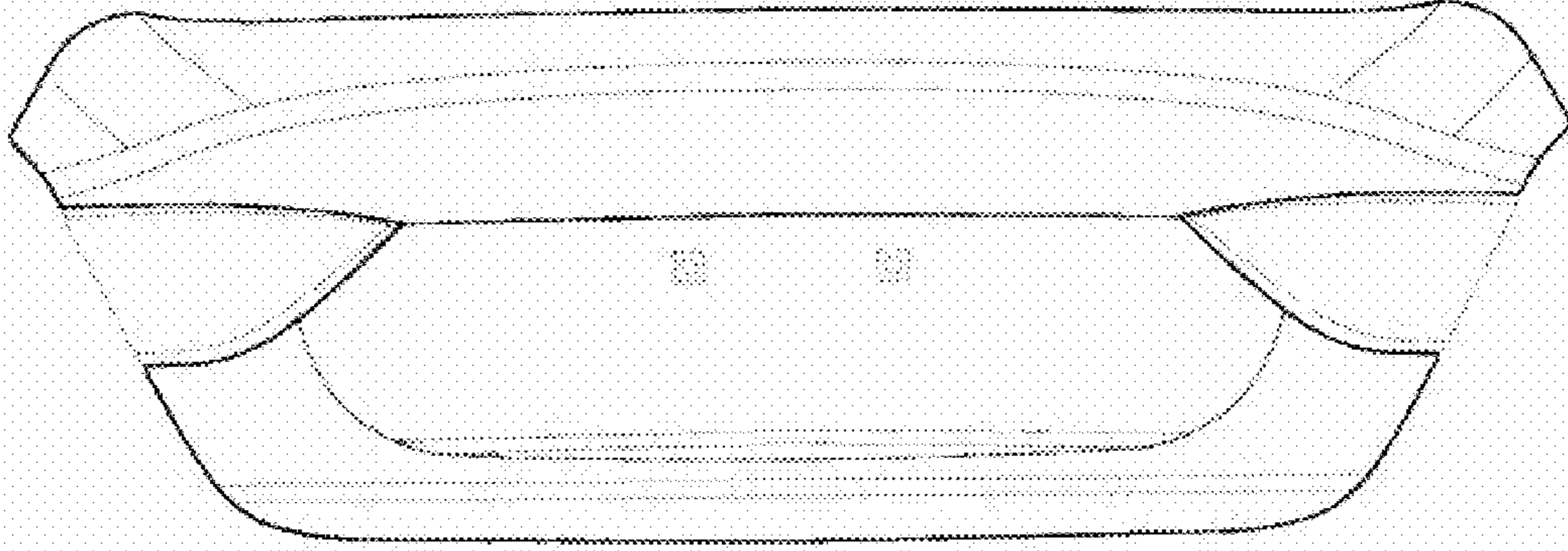


FIG. 2

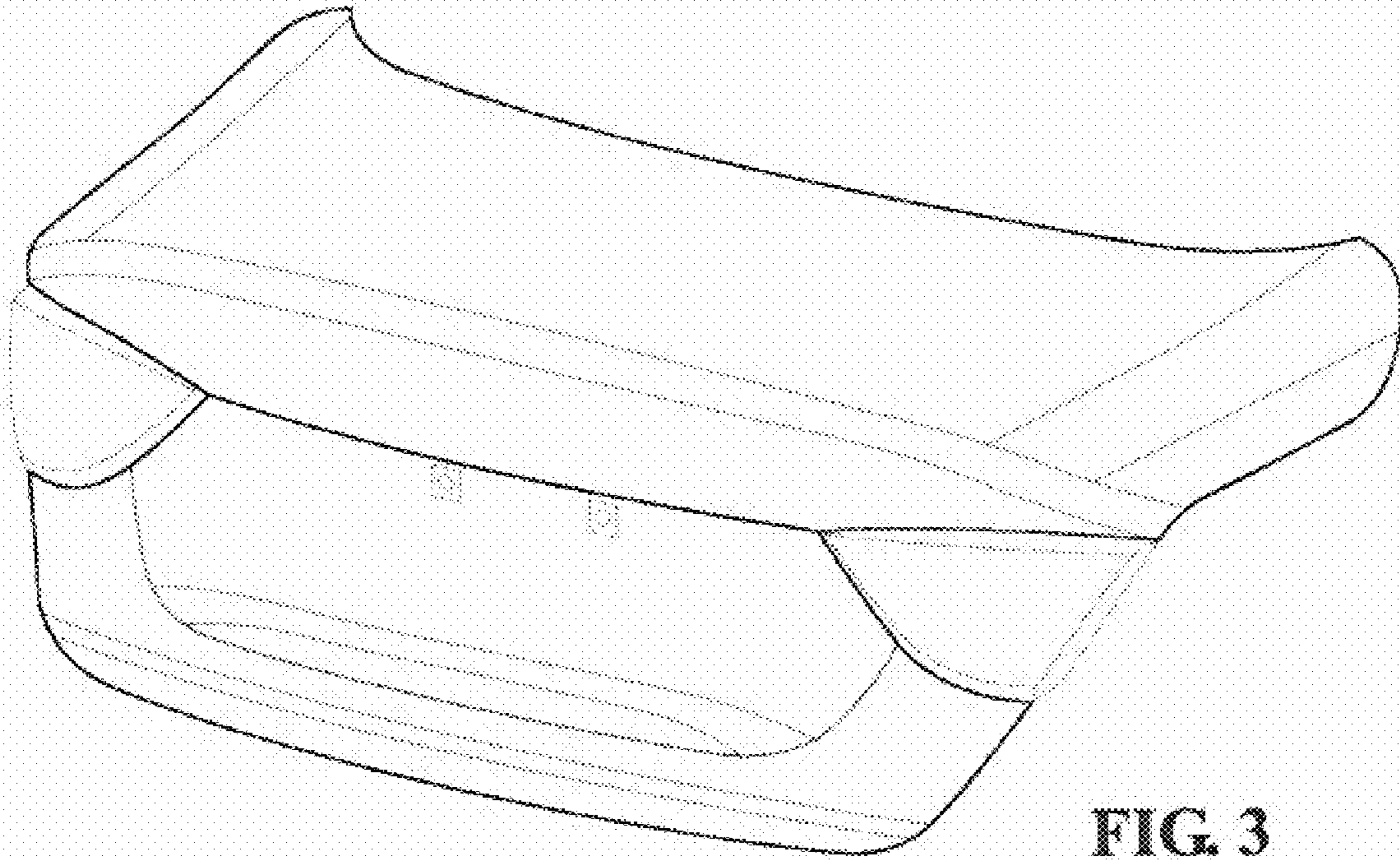


FIG. 3

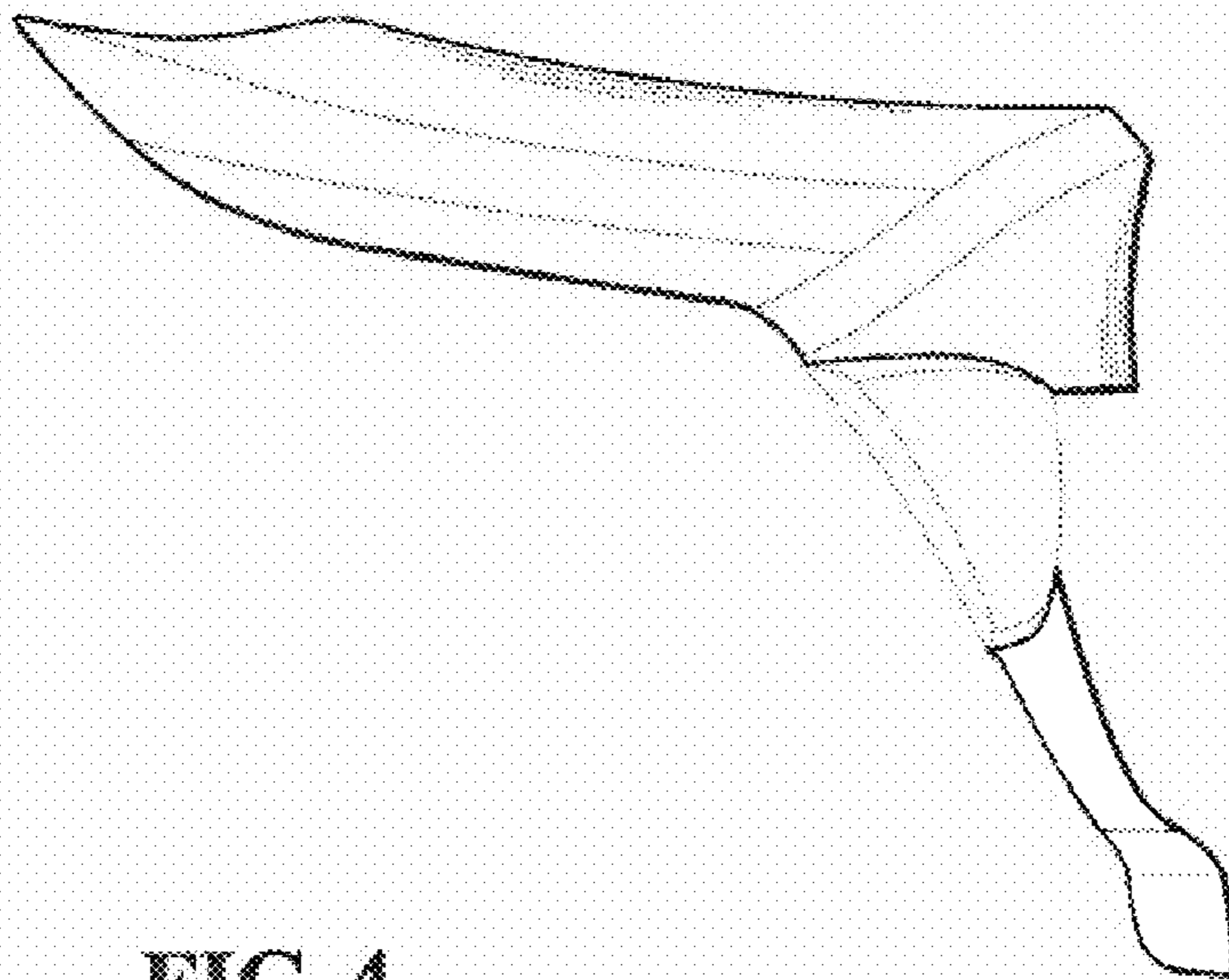


FIG. 4

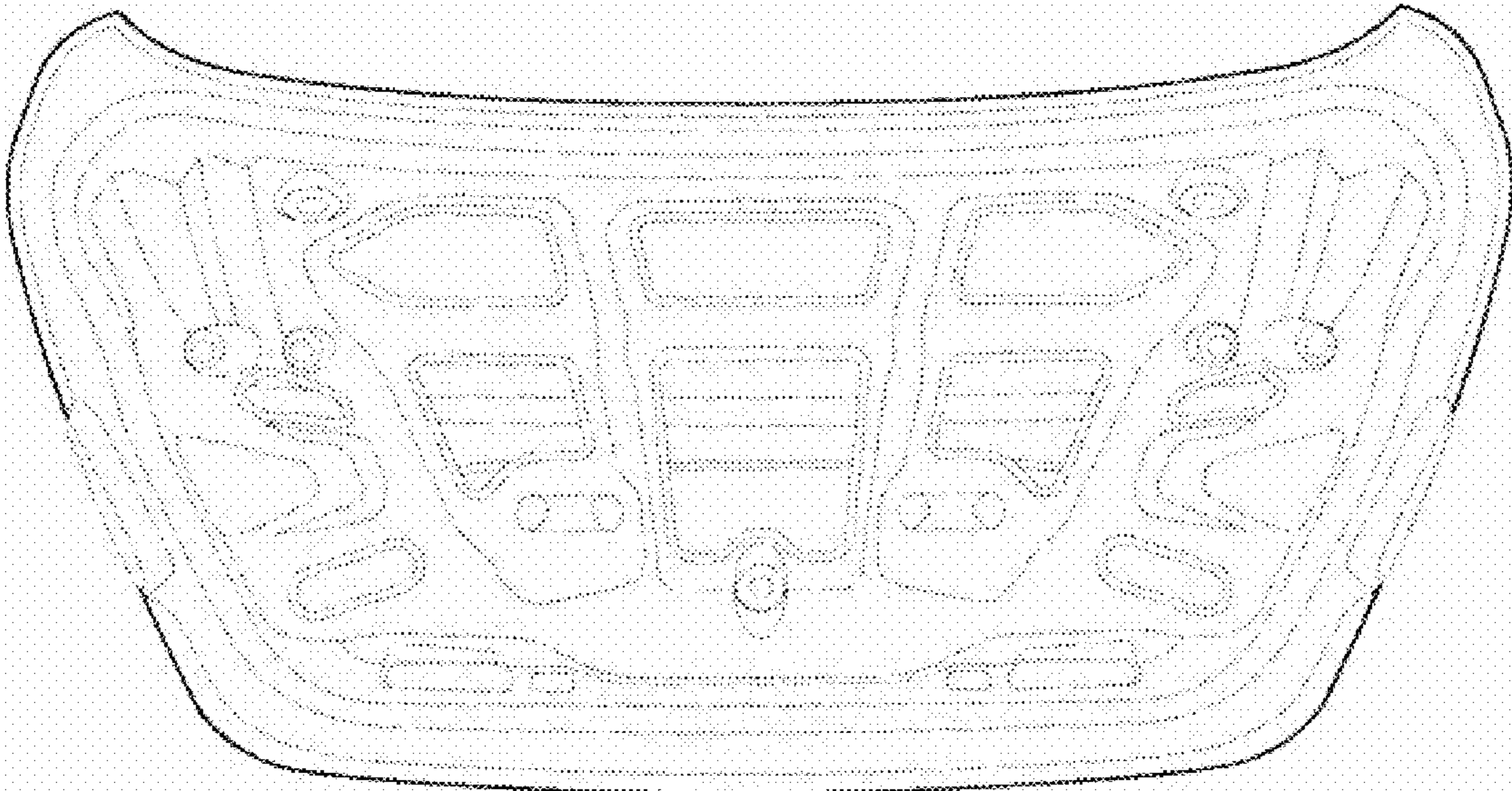


FIG. 5

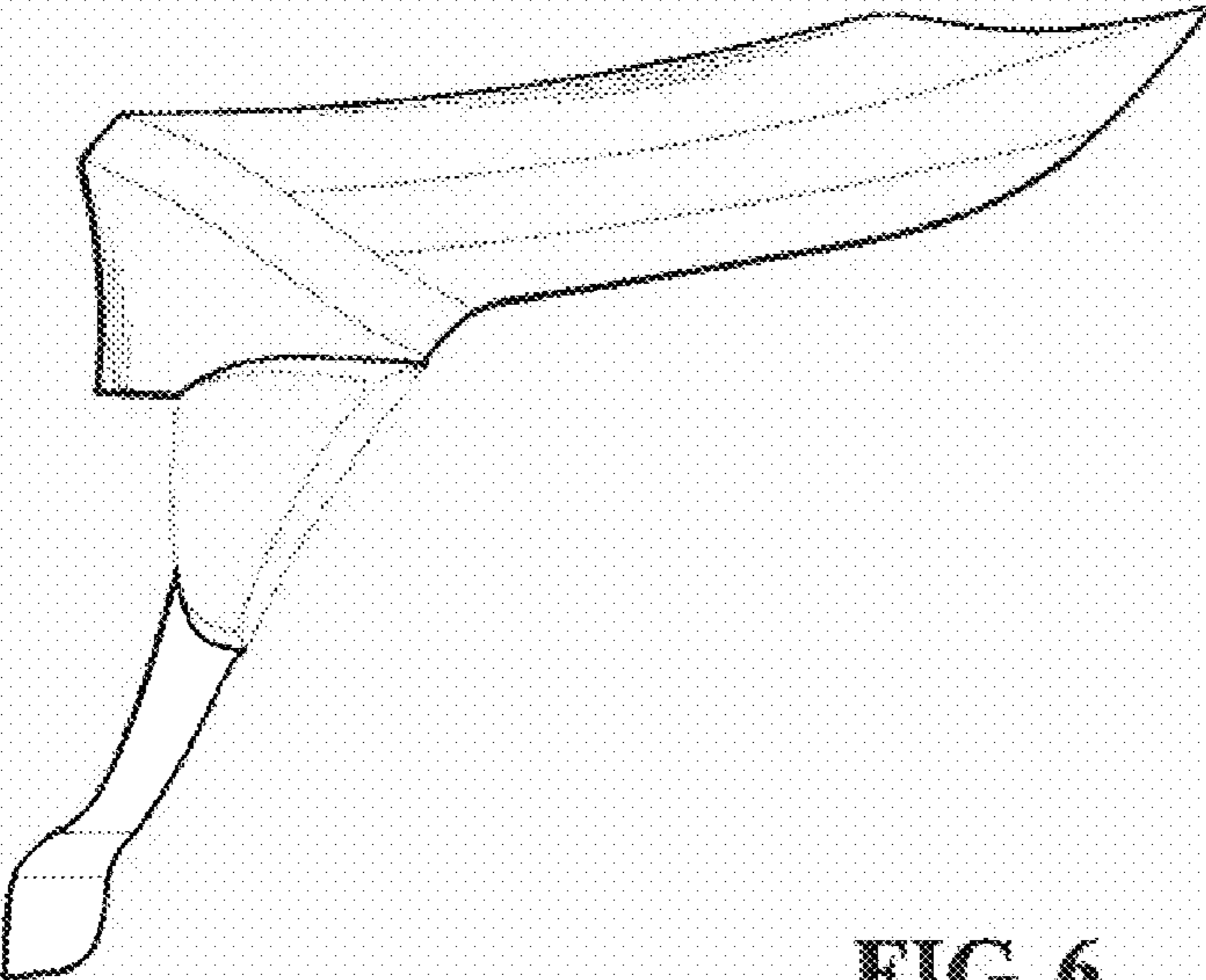


FIG. 6