



US00D731941S

(12) **United States Design Patent**
Spencer et al.

(10) **Patent No.:** **US D731,941 S**
(45) **Date of Patent:** **** Jun. 16, 2015**

- (54) **LICENSE PLATE FRAME**
- (71) Applicant: **Cruiser Accessories, LLC**, Monument, CO (US)
- (72) Inventors: **Todd Spencer**, Monument, CO (US); **Eldon Goates**, Colorado Springs, CO (US); **Bret Zelenka**, Monument, CO (US); **Michael J. Schwartz**, Colorado Springs, CO (US)
- (73) Assignee: **Cruiser Accessories, LLC**, Monument, CO (US)
- (**) Term: **14 Years**
- (21) Appl. No.: **29/485,192**
- (22) Filed: **Mar. 17, 2014**
- (51) **LOC (10) Cl.** **12-16**
- (52) **U.S. Cl.**
USPC **D12/193**
- (58) **Field of Classification Search**

USPC D12/193; D6/300, 301, 302, 304, 310, D6/311, 312, 313, 314; D20/13; 40/200, 40/201, 202, 203, 204, 207-214; 348/148, 348/373; D11/134
See application file for complete search history.

(56) **References Cited**

U.S. PATENT DOCUMENTS

D6,873 S *	9/1873	Smith	D11/219
D296,677 S *	7/1988	Trueax	D11/134
D365,077 S *	12/1995	Lee	D12/193
D366,236 S *	1/1996	Chu	D12/193
D424,003 S *	5/2000	Steinhagen	D12/193
D428,843 S *	8/2000	Steinhagen	D12/193
D531,558 S *	11/2006	Peng	D12/193
D566,025 S *	4/2008	Hu	D12/193
D576,531 S *	9/2008	Block et al.	D12/193
D593,917 S *	6/2009	Spencer et al.	D12/193
D623,106 S *	9/2010	Hu	D12/193
D633,020 S *	2/2011	Ziegler et al.	D12/193
8,291,627 B1 *	10/2012	Spencer et al.	40/209
D689,804 S *	9/2013	Spencer et al.	D12/193

D689,806 S *	9/2013	Spencer et al.	D12/193
D700,553 S *	3/2014	Spencer et al.	D12/193
D705,712 S *	5/2014	Spencer et al.	D12/193

OTHER PUBLICATIONS

Cruiser Accessories 19656 Matte Black/Orange Hunting License Plate Frame with Fastener Caps. (Aug. 2014), [online], [site visited Dec. 3, 2014]. Available from internet, <URL: Retrieved from <http://www.amazon.com/Cruiser-Accessories-19656-Hunting-Fastener/dp/B00MP1HI2K>>.*

* cited by examiner

Primary Examiner — Jeffrey D Asch
Assistant Examiner — Natasha Vujcic

(74) *Attorney, Agent, or Firm* — Linda Flewellen Gould

(57) **CLAIM**

The ornamental design for a license plate frame, as shown and described.

DESCRIPTION

FIG. 1 is a perspective front view showing our new design for a license plate frame.

FIG. 2 is a magnified view of a portion of the license plate frame shown in FIG. 1.

FIG. 3 is a front view of the license plate frame of the present invention.

FIG. 4 is a back view of the license plate frame of the present invention.

FIG. 5 is a right side view of the license plate frame of the present invention, the left side view being the mirror image thereof.

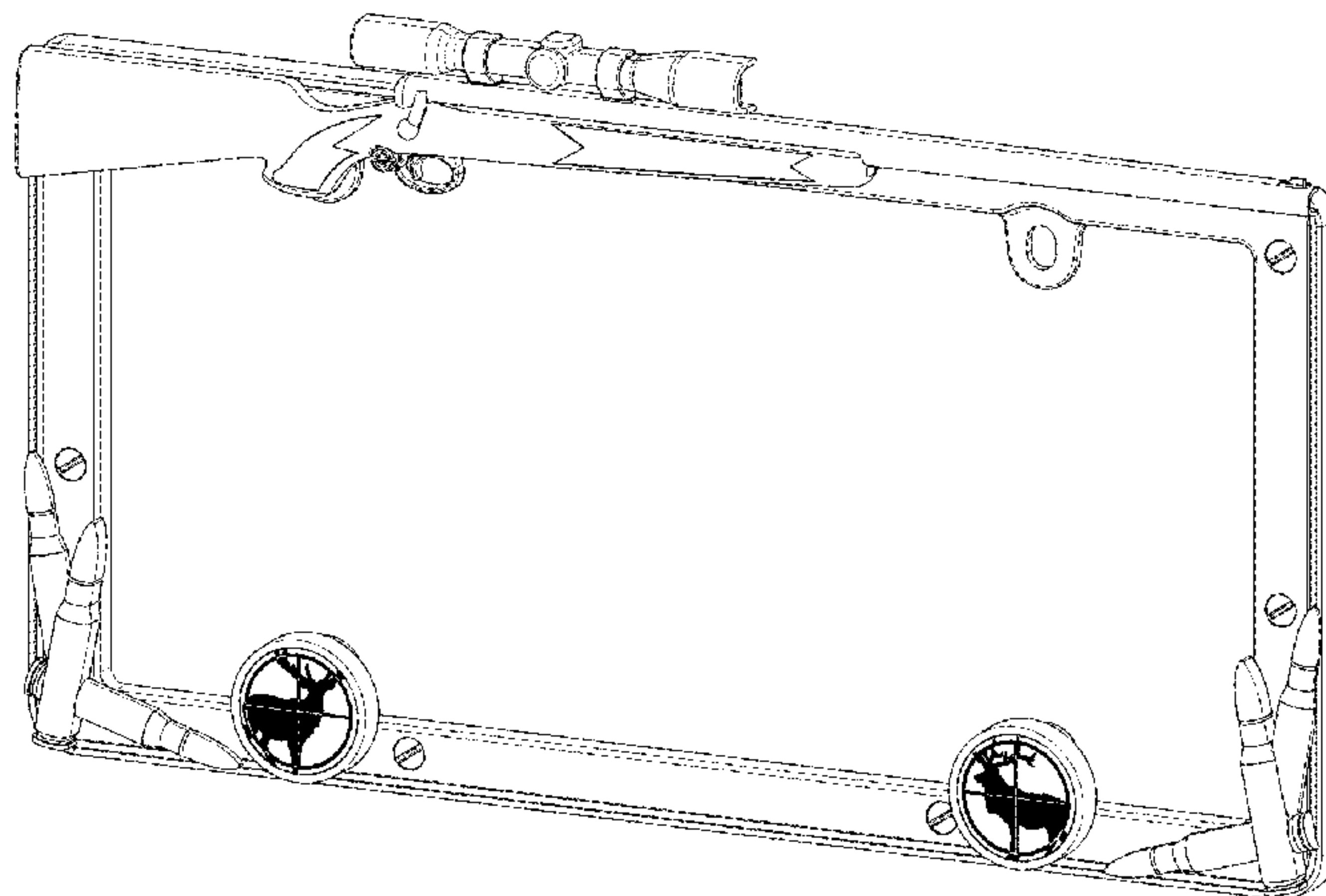
FIG. 6 is a top view of the license plate frame of the present invention.

FIG. 7 is a bottom view of the license plate frame of the present invention.

FIG. 8 is a front view showing a second embodiment of our design for a license plate frame, with an image of a rifle titled into a different position from the design shown in FIG. 1; and,

FIG. 9 is a back view of the second embodiment of our design shown in FIG. 8.

1 Claim, 4 Drawing Sheets



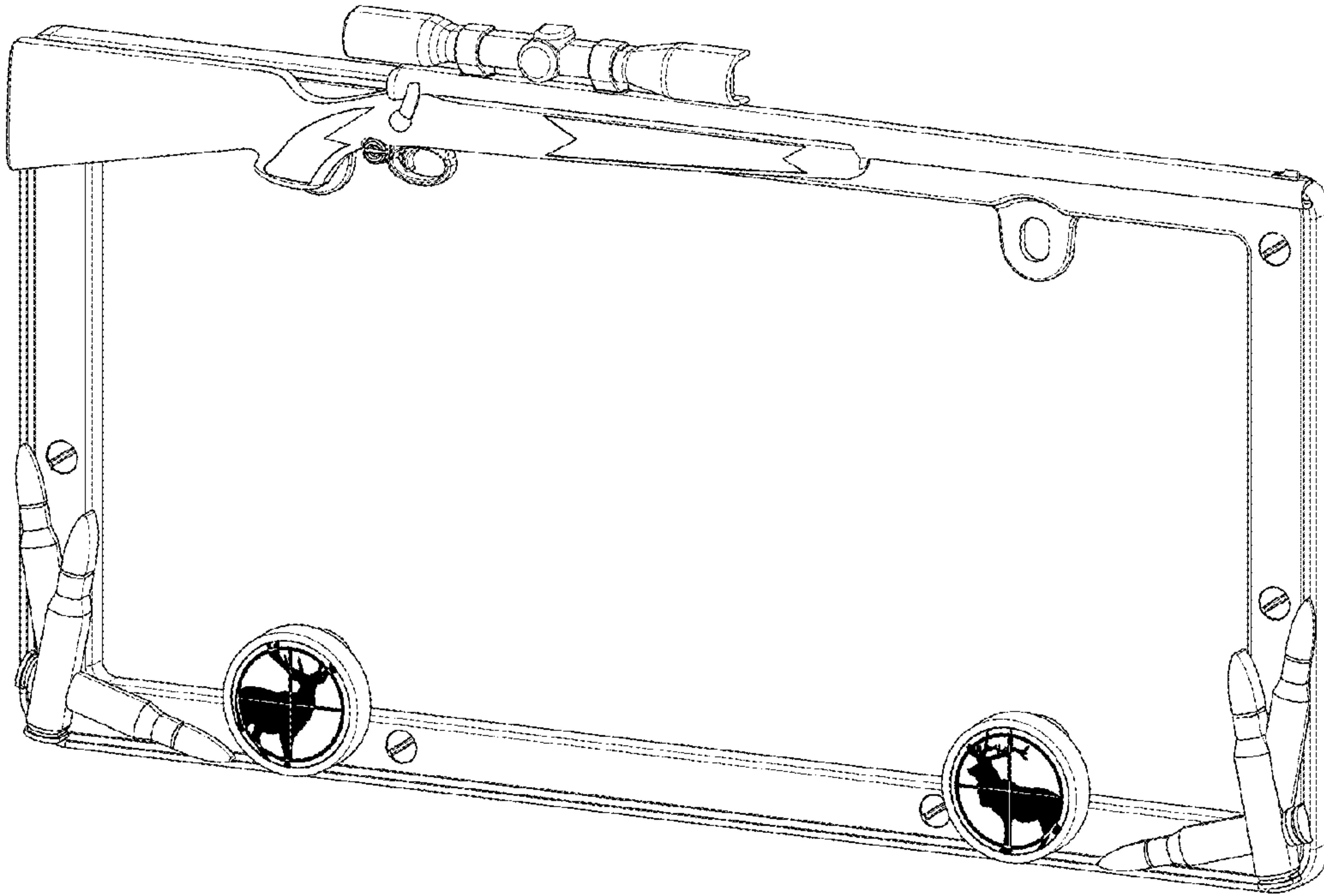


Figure 1

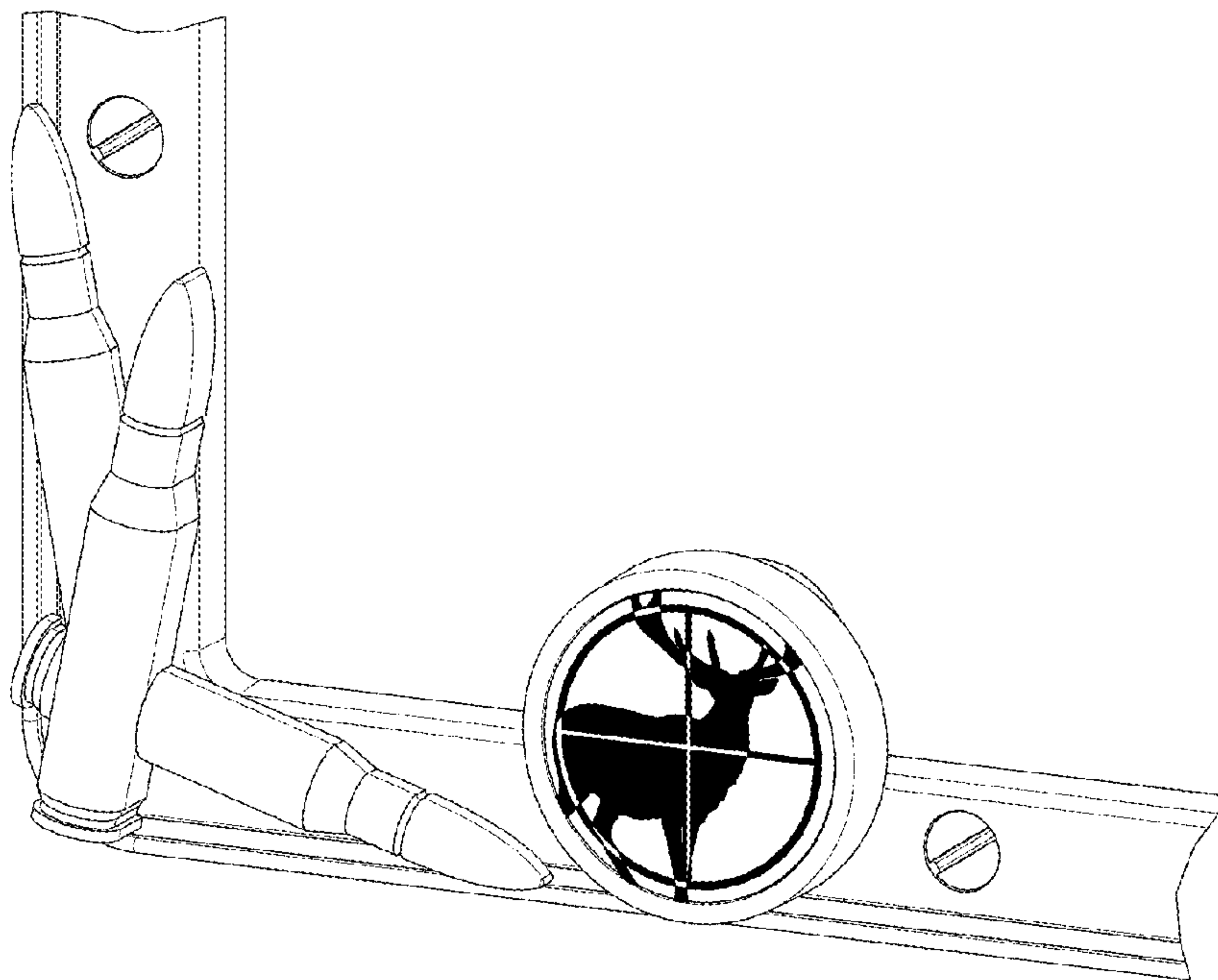


Figure 2

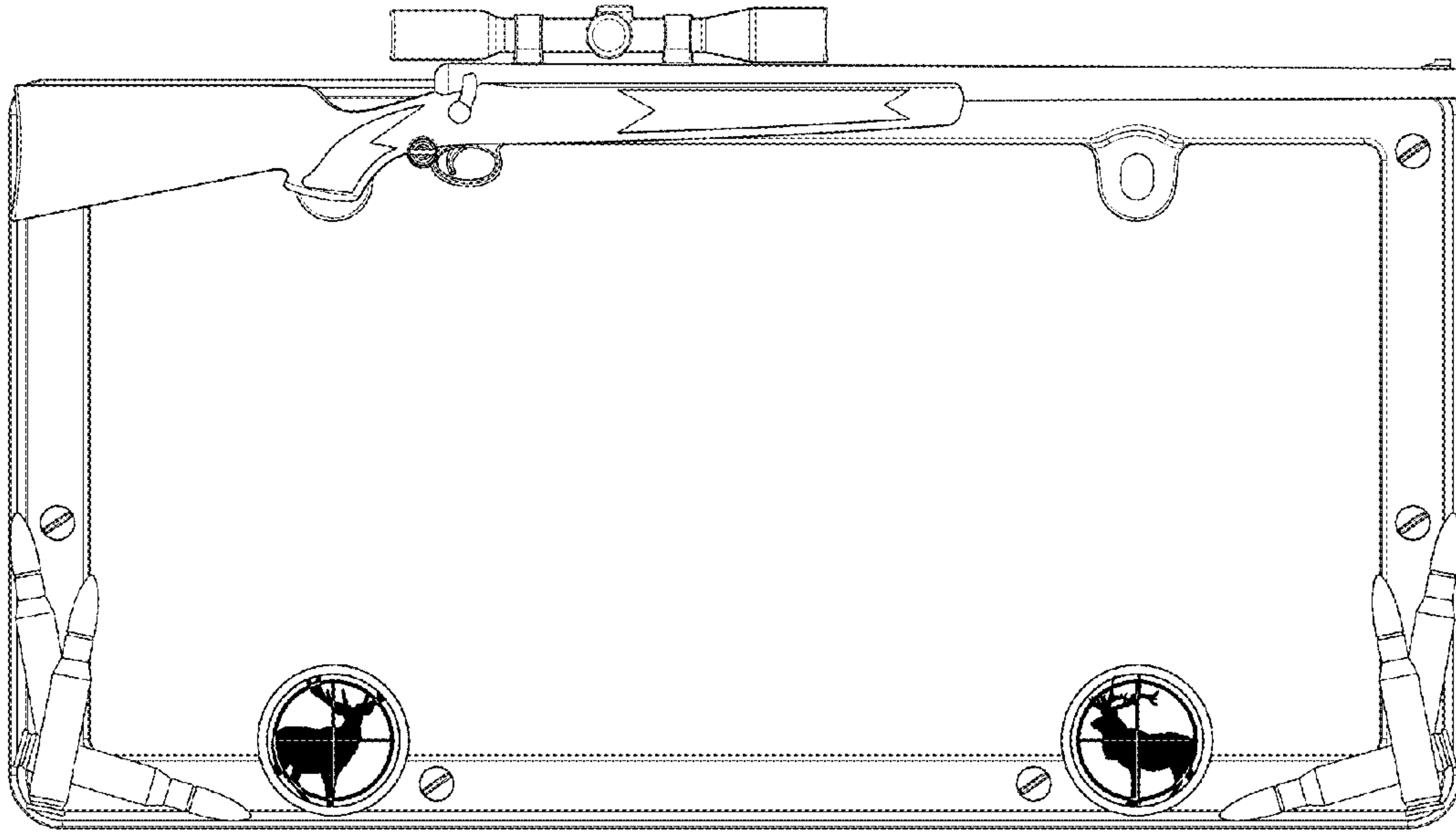


Figure 3

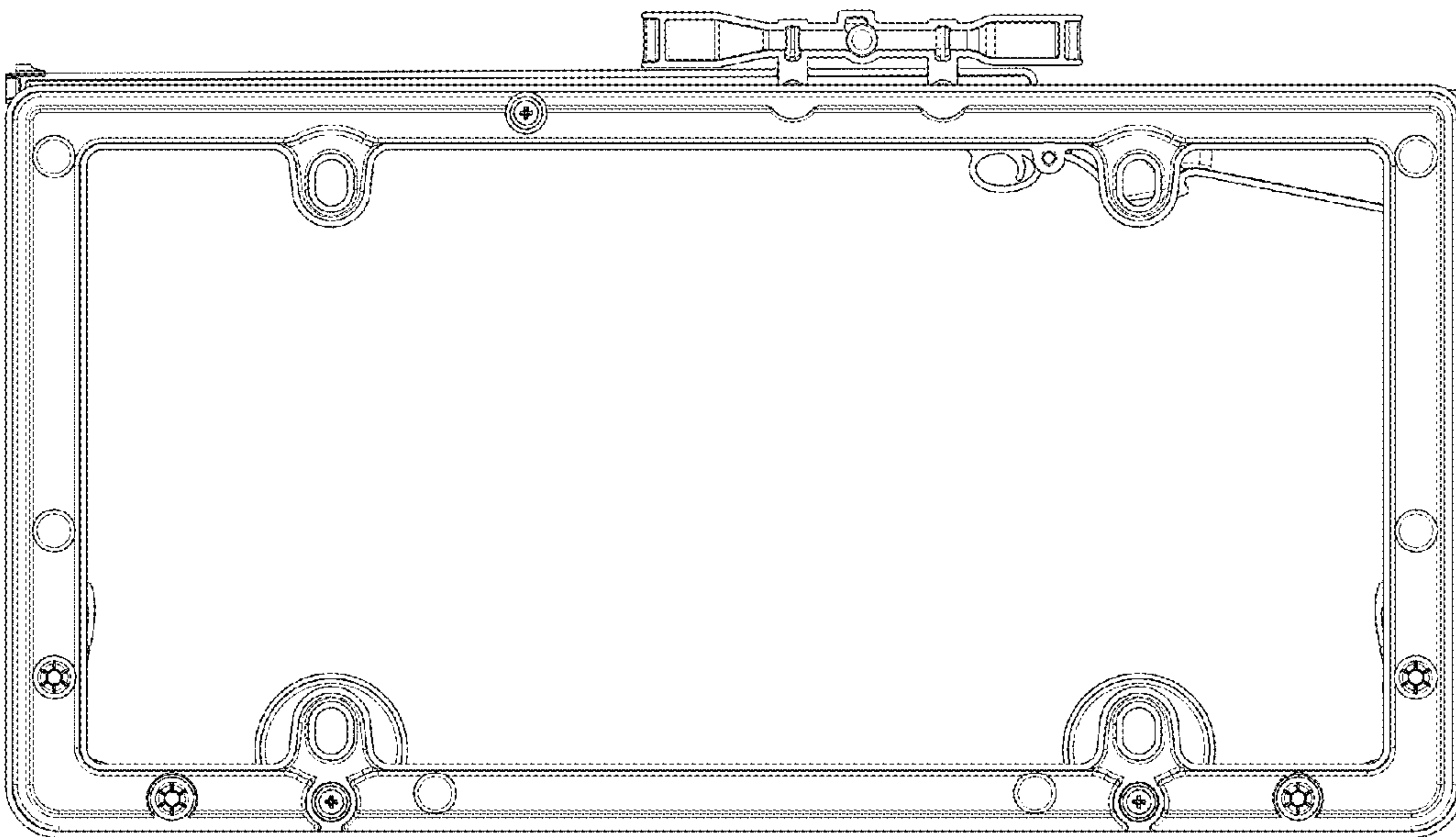


Figure 4

Figure 5

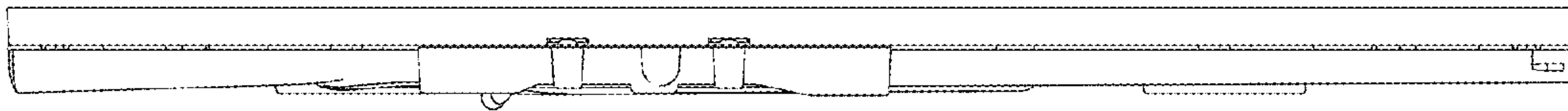
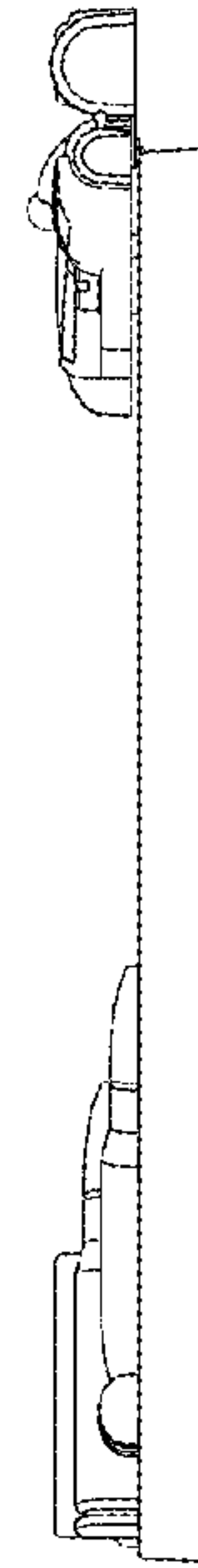


Figure 6

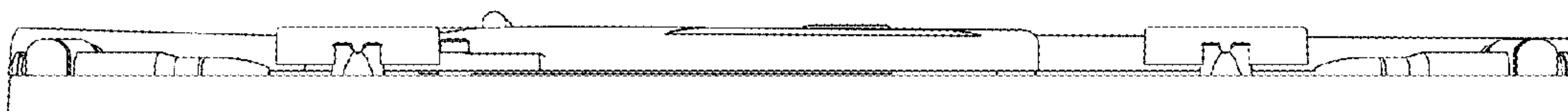


Figure 7

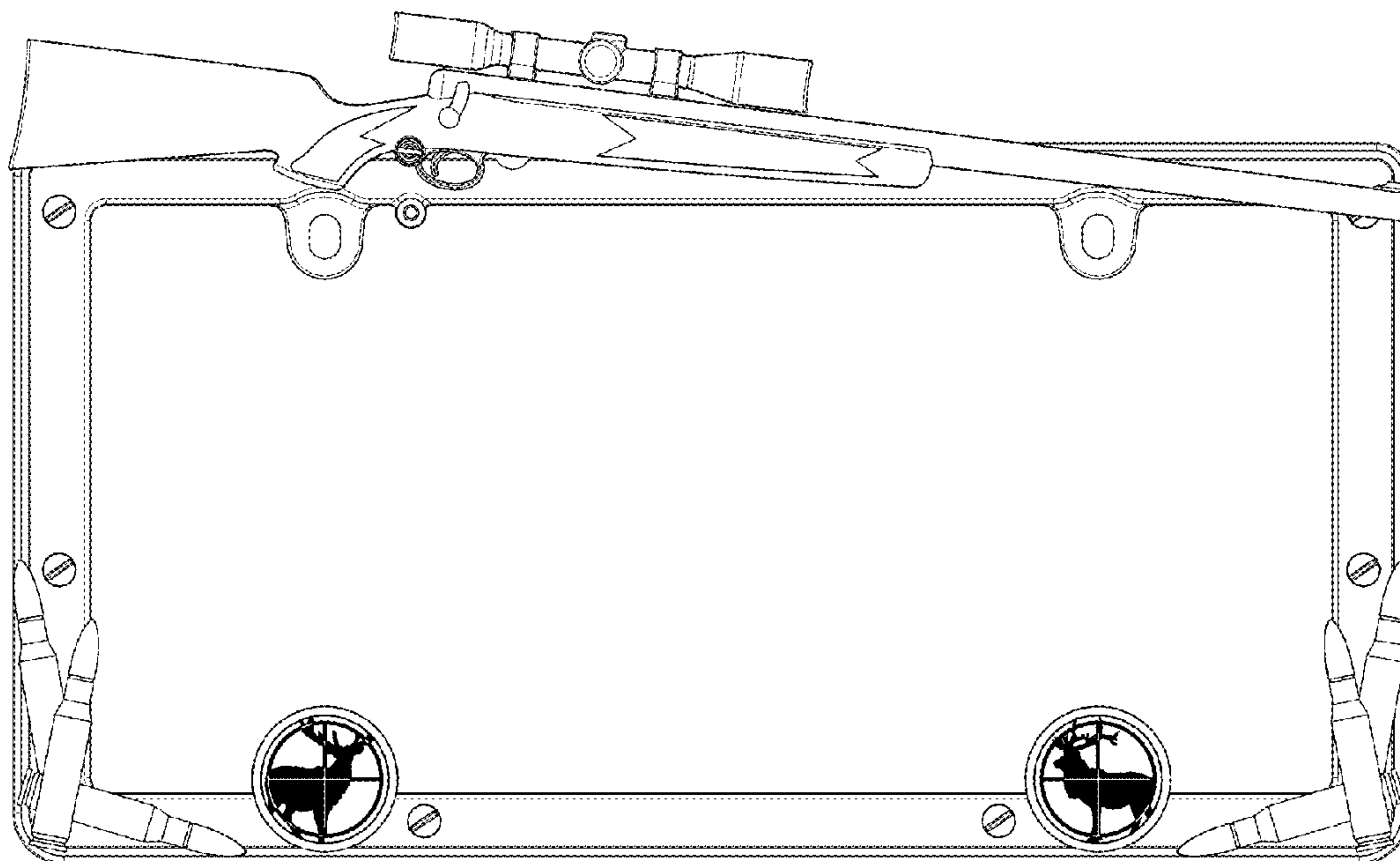


Figure 8

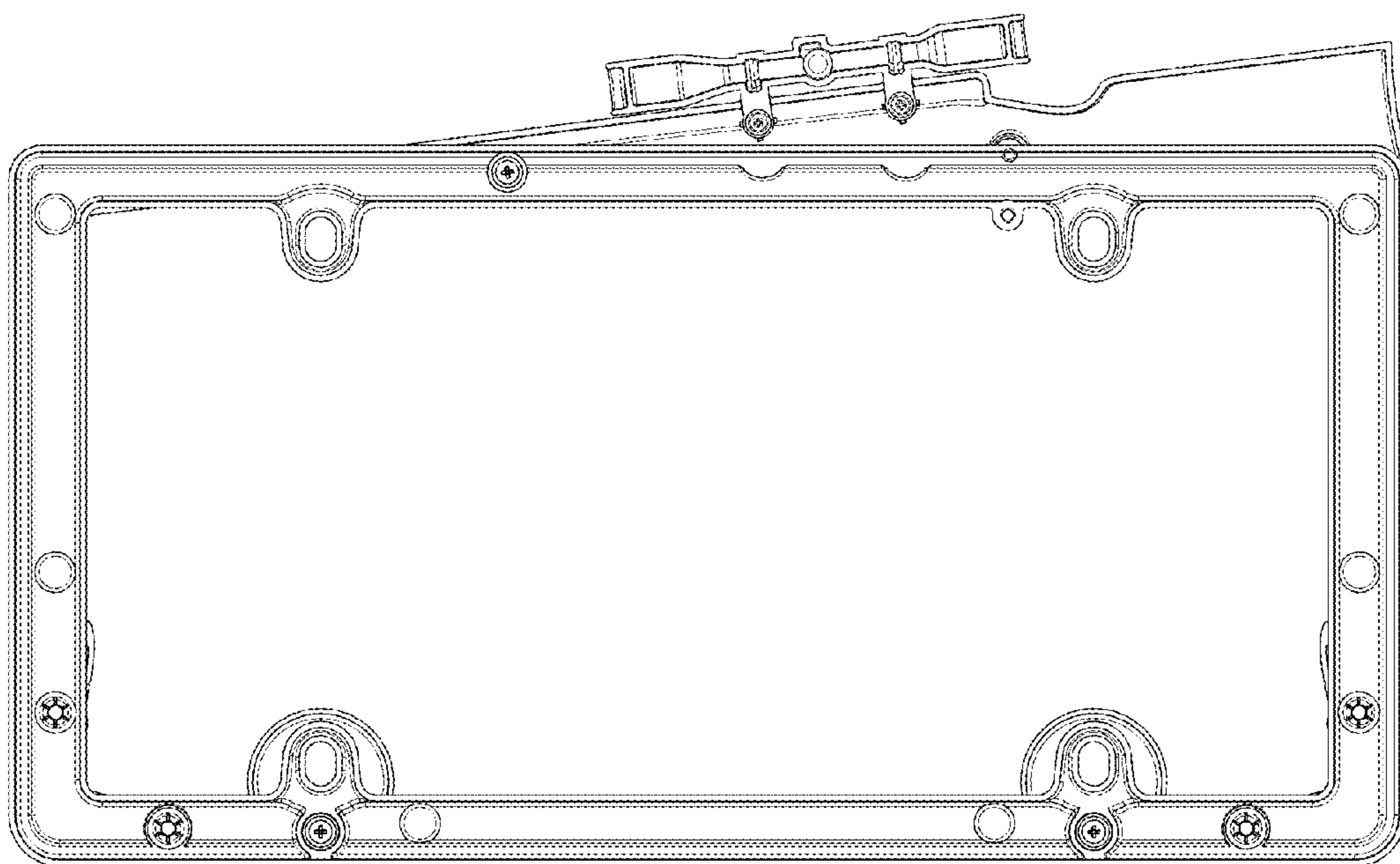


Figure 9