



US00D731940S

(12) **United States Design Patent**
Okabe et al.

(10) **Patent No.:** **US D731,940 S**
(45) **Date of Patent:** **** Jun. 16, 2015**

(54) **INSTRUMENT PANEL FOR AN
AUTOMOBILE**

(56) **References Cited**

U.S. PATENT DOCUMENTS

(71) Applicants: **Takeshi Okabe**, Hachiouji (JP); **Hideo Karikomi**, Tokyo (JP); **Kunihiko Watanabe**, Tokyo (JP); **Akihiro Hiraga**, Hino (JP); **Alan Schneider**, Ann Arbor, MI (US)

D652,773	S	*	1/2012	Kitajima et al.	D12/192
D653,185	S	*	1/2012	Senda et al.	D12/192
D654,004	S	*	2/2012	Hamajima et al.	D12/192
D654,837	S	*	2/2012	Riggs et al.	D12/192
D656,074	S	*	3/2012	Ohmori et al.	D12/192

OTHER PUBLICATIONS

(72) Inventors: **Takeshi Okabe**, Hachiouji (JP); **Hideo Karikomi**, Tokyo (JP); **Kunihiko Watanabe**, Tokyo (JP); **Akihiro Hiraga**, Hino (JP); **Alan Schneider**, Ann Arbor, MI (US)

allcars2see, URL: <http://allcars2see.com/ja/2014-toyota-tundra-review/>; Model: Tundra; Mfg.: Toyota, Jul. 4, 2014.
Netcarshow.com; URL: <http://www.netcarshow.com/BMW/2015-i8>; Model: BMW i8; Mfg.: BMW, Jul. 4, 2014.

* cited by examiner

(73) Assignee: **Toyota Jidosha Kabushiki Kaisha**, Toyota-shi, Aichi-ken (JP)

Primary Examiner — Katrina A Betton
(74) *Attorney, Agent, or Firm* — Finnegan, Henderson, Farabow, Garrett & Dunner, LLP

(**) Term: **14 Years**

(57) **CLAIM**
The ornamental design for an instrument panel for an automobile, as shown and described.

(21) Appl. No.: **29/506,655**

DESCRIPTION

(22) Filed: **Oct. 17, 2014**

(51) **LOC (10) Cl.** **12-16**

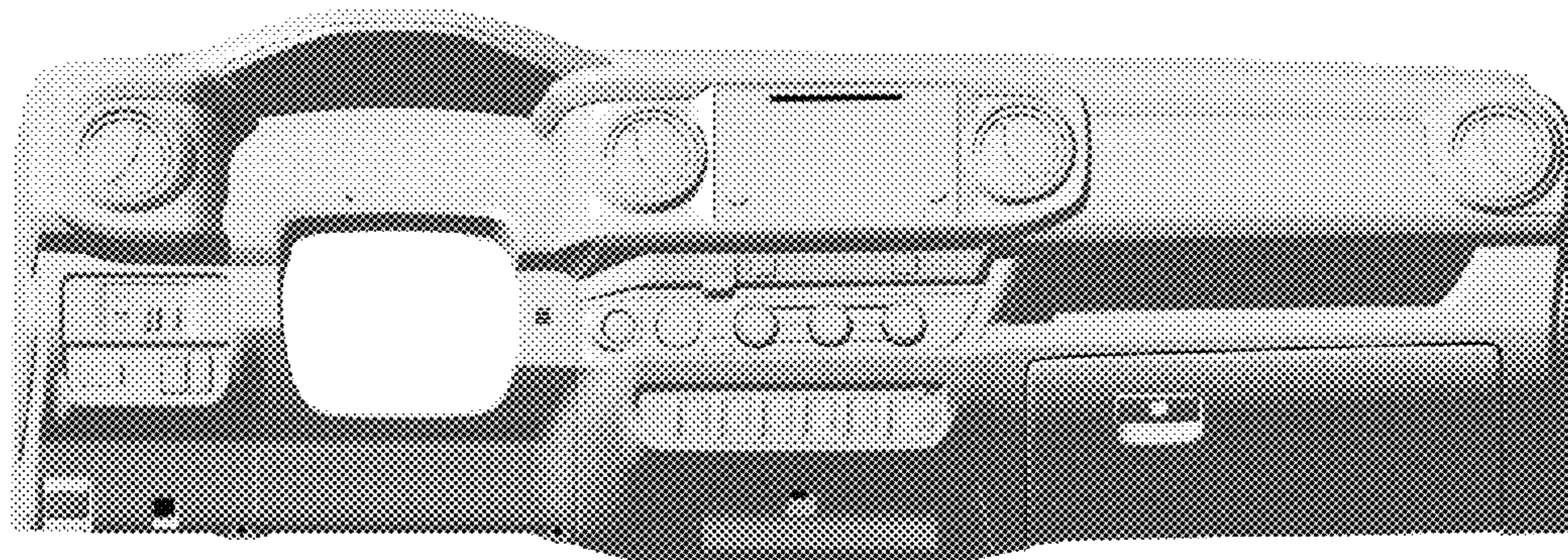
(52) **U.S. Cl.**
USPC **D12/192**

(58) **Field of Classification Search**
USPC D12/192, 415, 110, 114; 180/90;
280/750-752; 296/190.01-190.09,
296/191, 70; D15/17, 28; D10/46, 98,
D10/102-103, 122-127

FIG. 1 is a perspective view of an instrument panel for an automobile showing our new design;
FIG. 2 is a front view thereof;
FIG. 3 is a rear view thereof;
FIG. 4 is a left side view thereof;
FIG. 5 is a right side view thereof;
FIG. 6 is a top plan view thereof; and,
FIG. 7 is a bottom view thereof.
Our design includes a mirror image of the embodiment depicted.

See application file for complete search history.

1 Claim, 4 Drawing Sheets



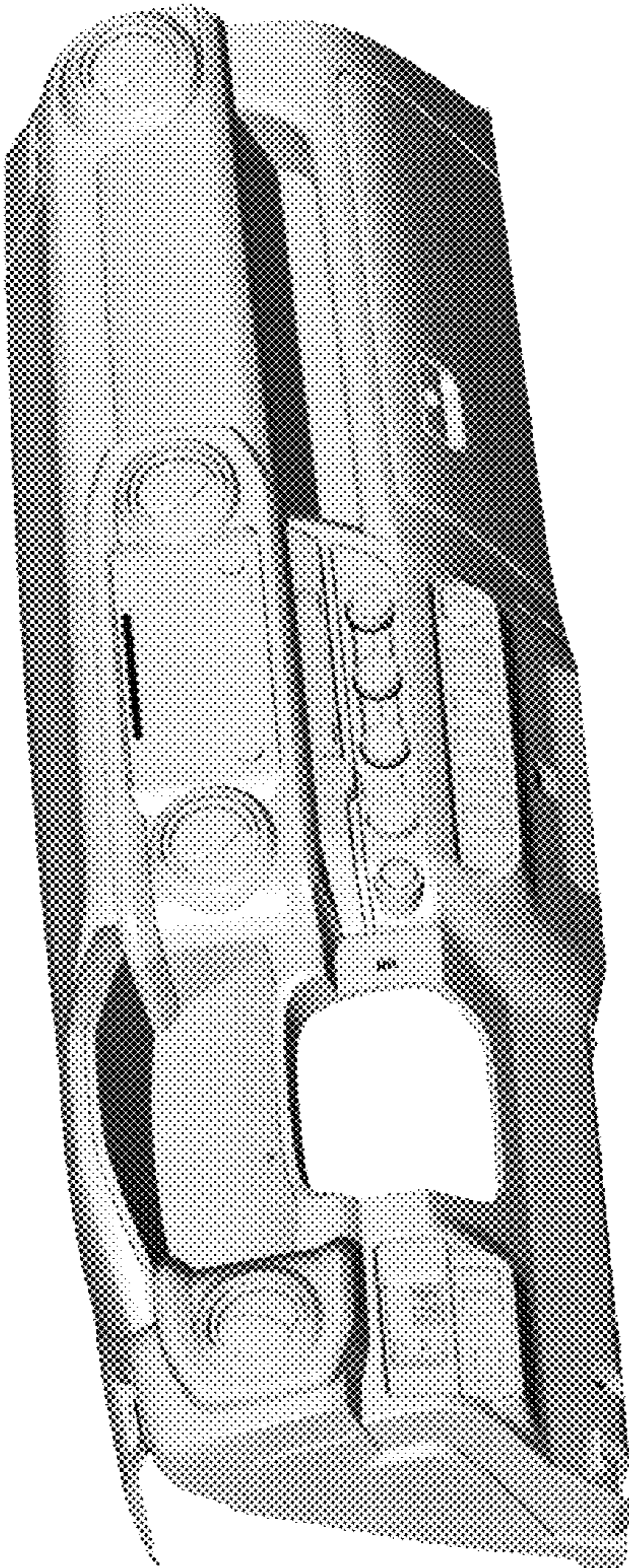


FIG. 1

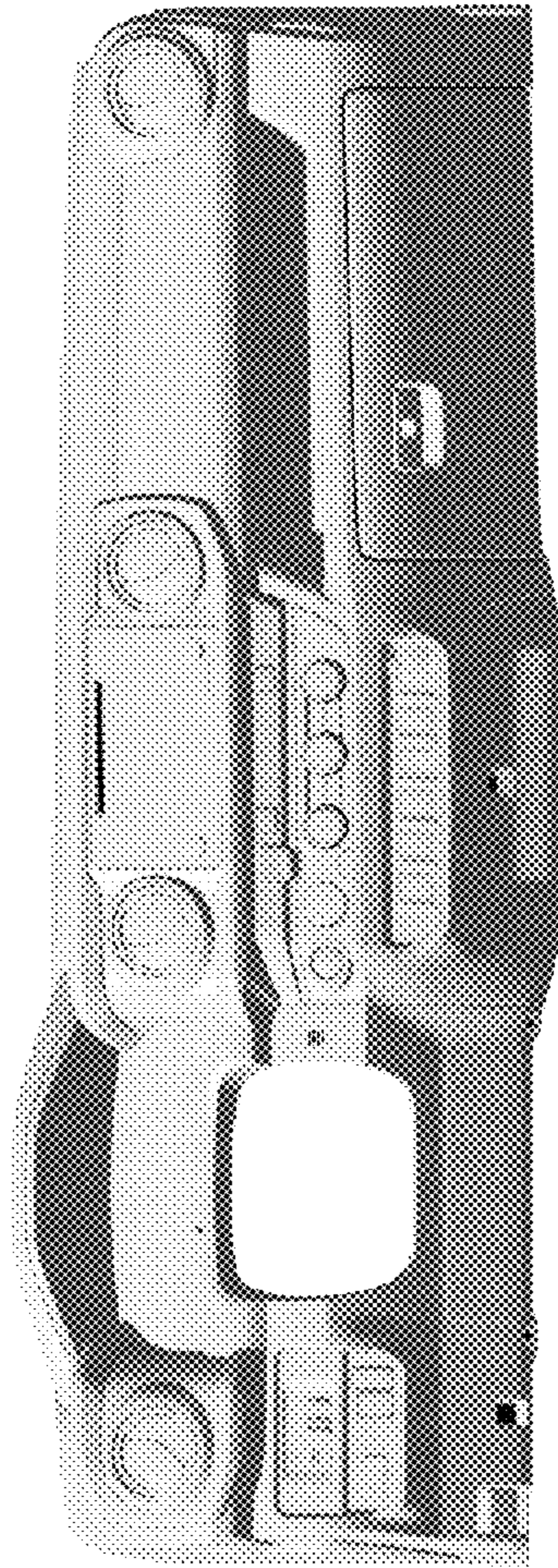


FIG. 2

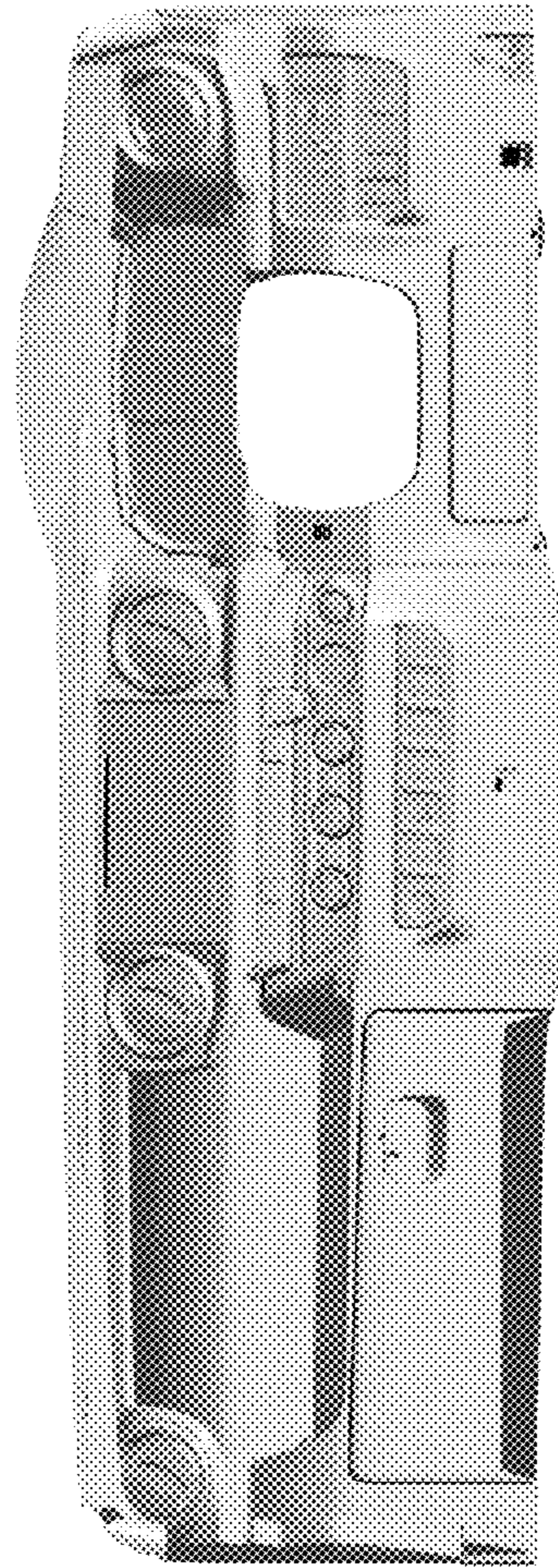


FIG. 3

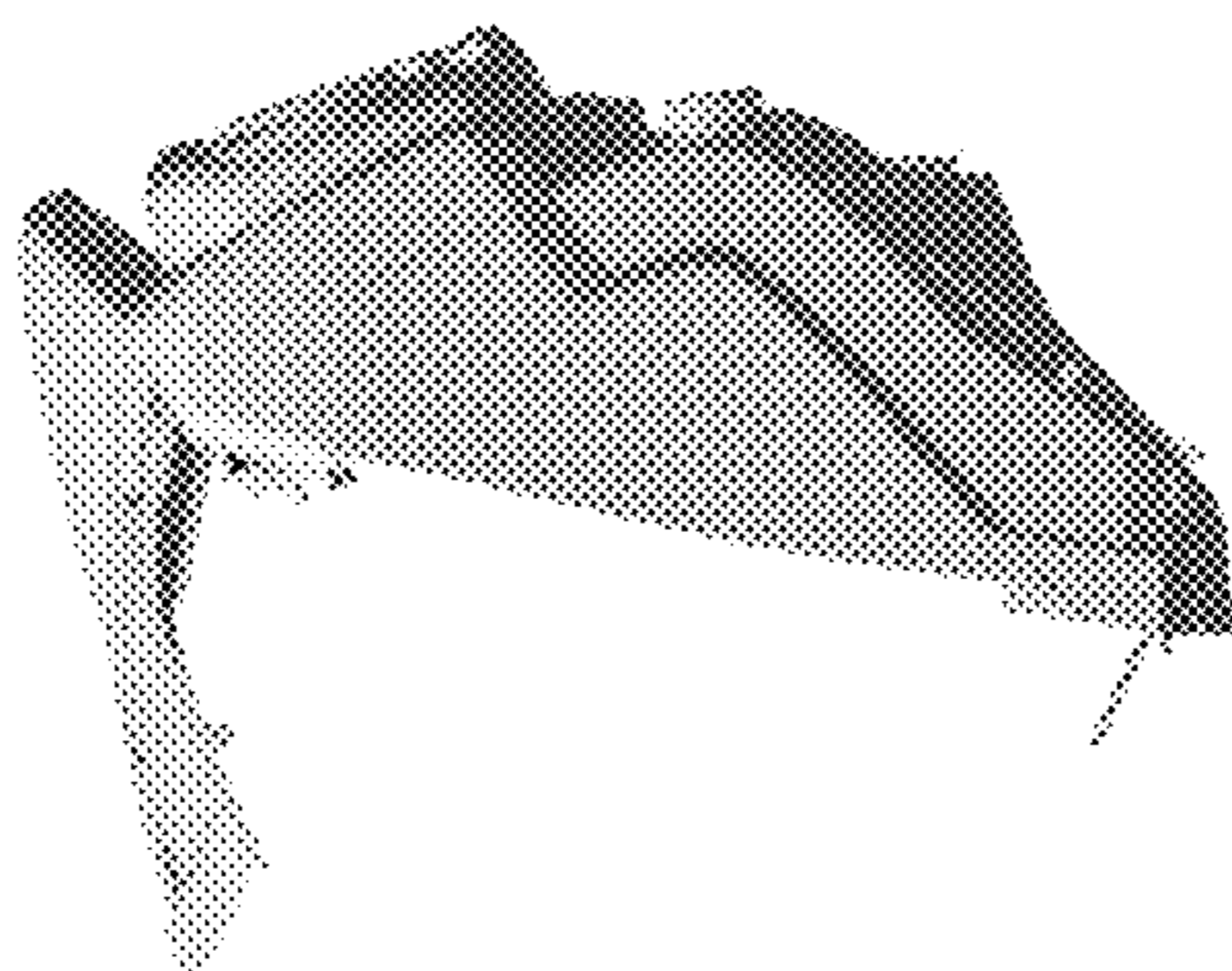


FIG. 4

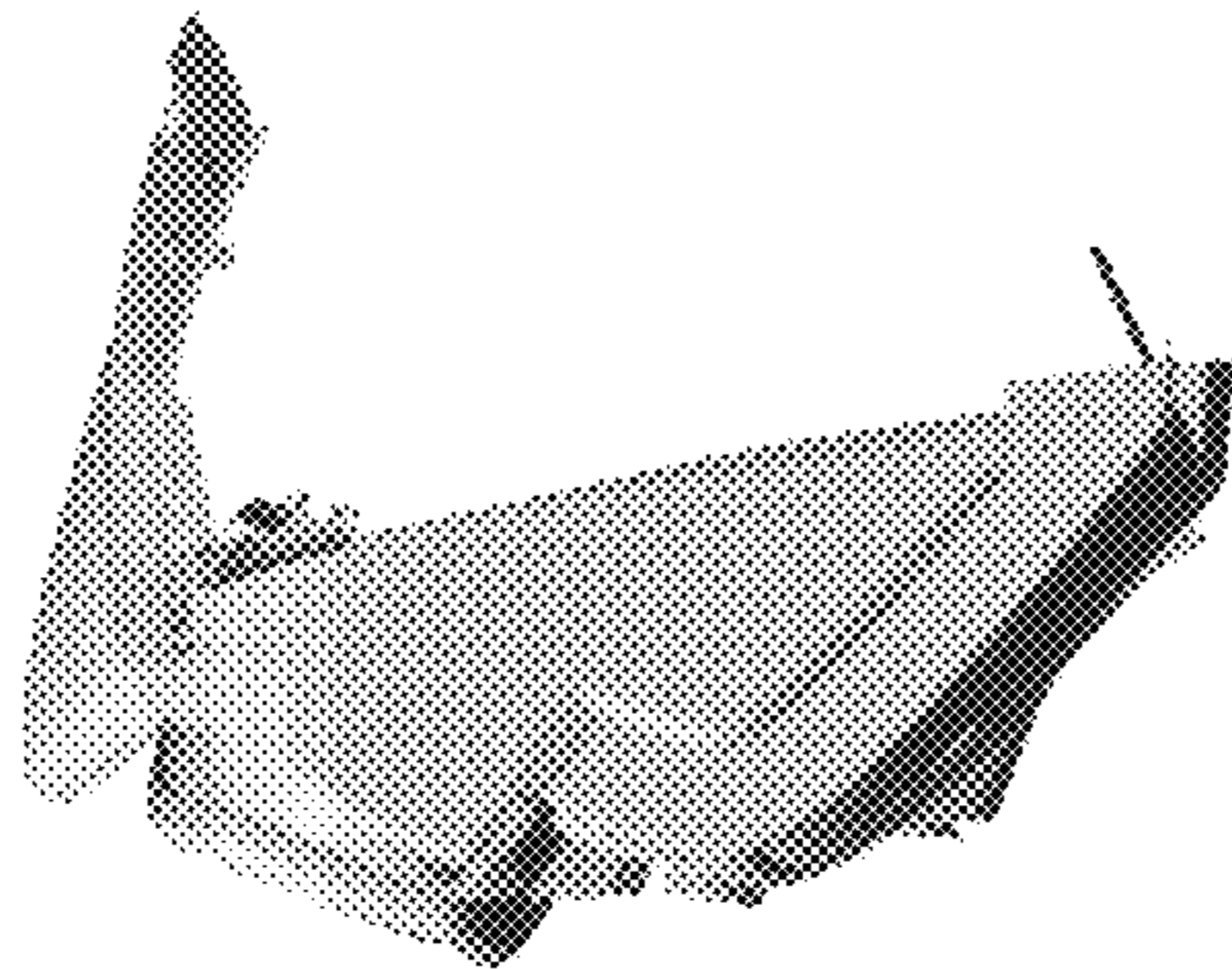


FIG. 5

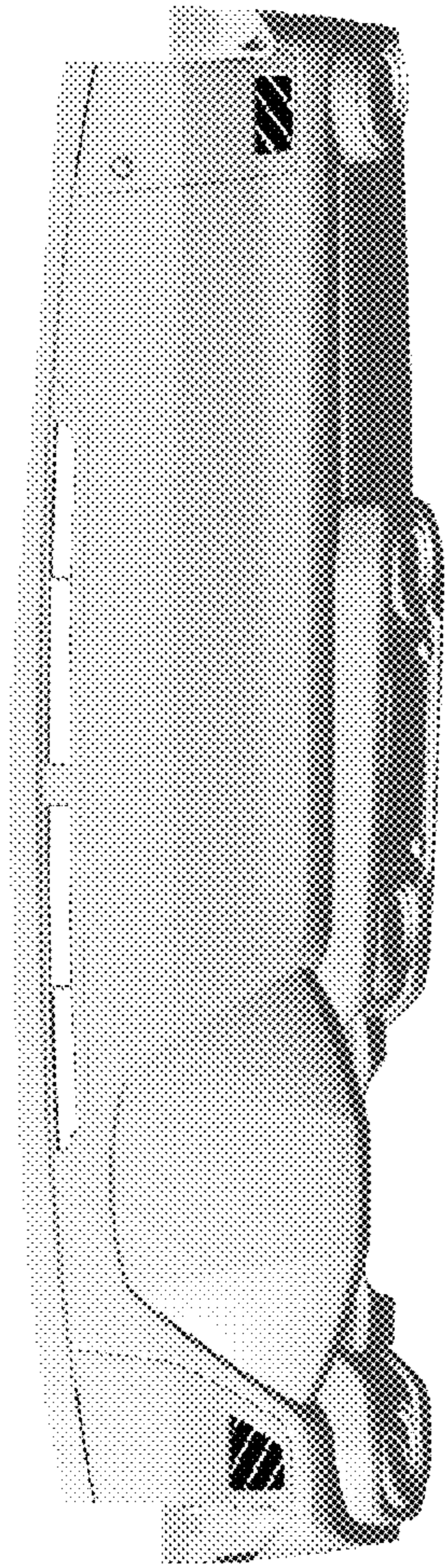


FIG. 6

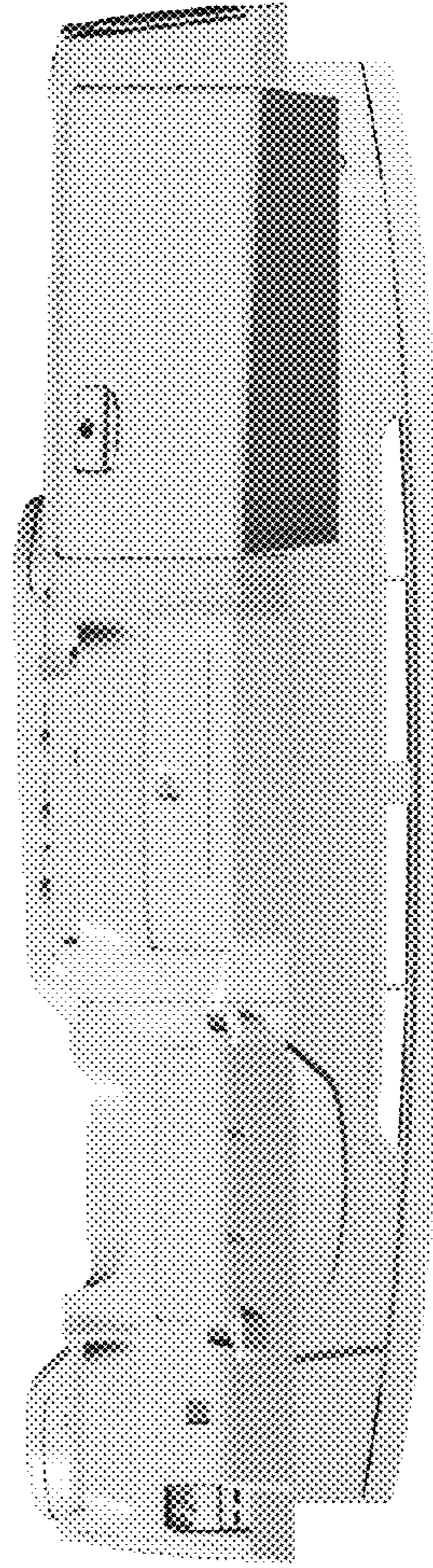


FIG. 7