



US00D731938S

(12) **United States Design Patent**
Miyashita et al.

(10) **Patent No.:** **US D731,938 S**
(45) **Date of Patent:** **** Jun. 16, 2015**

(54) **INSTRUMENT PANEL FOR AUTOMOBILE**
(71) Applicant: **Fuji Jukogyo Kabushiki Kaisha**, Tokyo (JP)
(72) Inventors: **Daisuke Miyashita**, Tokyo (JP); **Yohei Noshiro**, Tokyo (JP); **Azuma Sugiura**, Tokyo (JP)
(73) Assignee: **Fuji Jukogyo Kabushiki Kaisha**, Tokyo (JP)
(**) Term: **14 Years**
(21) Appl. No.: **29/497,668**
(22) Filed: **Jul. 28, 2014**

(30) **Foreign Application Priority Data**
Jan. 28, 2014 (JP) 2014-001492
(51) **LOC (10) Cl.** **12-16**
(52) **U.S. Cl.**
USPC **D12/192**
(58) **Field of Classification Search**
USPC D12/192, 415, 110, 114; 180/90;
280/750-752; 296/190.01-190.09,
296/191, 70; D15/17, 28; D10/46, 98,
D10/102-103, 122-127
See application file for complete search history.

(56) **References Cited**
U.S. PATENT DOCUMENTS
D652,773 S * 1/2012 Kitajima et al. D12/192
D653,185 S * 1/2012 Senda et al. D12/192
D654,004 S * 2/2012 Hamajima et al. D12/192
D654,837 S * 2/2012 Riggs et al. D12/192
D656,074 S * 3/2012 Ohmori et al. D12/192

* cited by examiner
Primary Examiner — Katrina A Betton
(74) *Attorney, Agent, or Firm* — Schiff Hardin LLP

(57) **CLAIM**
We claim the ornamental design for a instrument panel for automobile, thereof, as shown and described.

DESCRIPTION
FIG. 1 is a front perspective view for a “instrument panel for automobile” showing my new design, FIG. 2 is a rear perspective view thereof, FIG. 3 is a front view thereof, FIG. 4 is a rear view thereof, FIG. 5 is a left-side view thereof, FIG. 6 is a right-side view thereof, FIG. 7 is a top view thereof; and, FIG. 8 is a bottom view thereof.

1 Claim, 5 Drawing Sheets

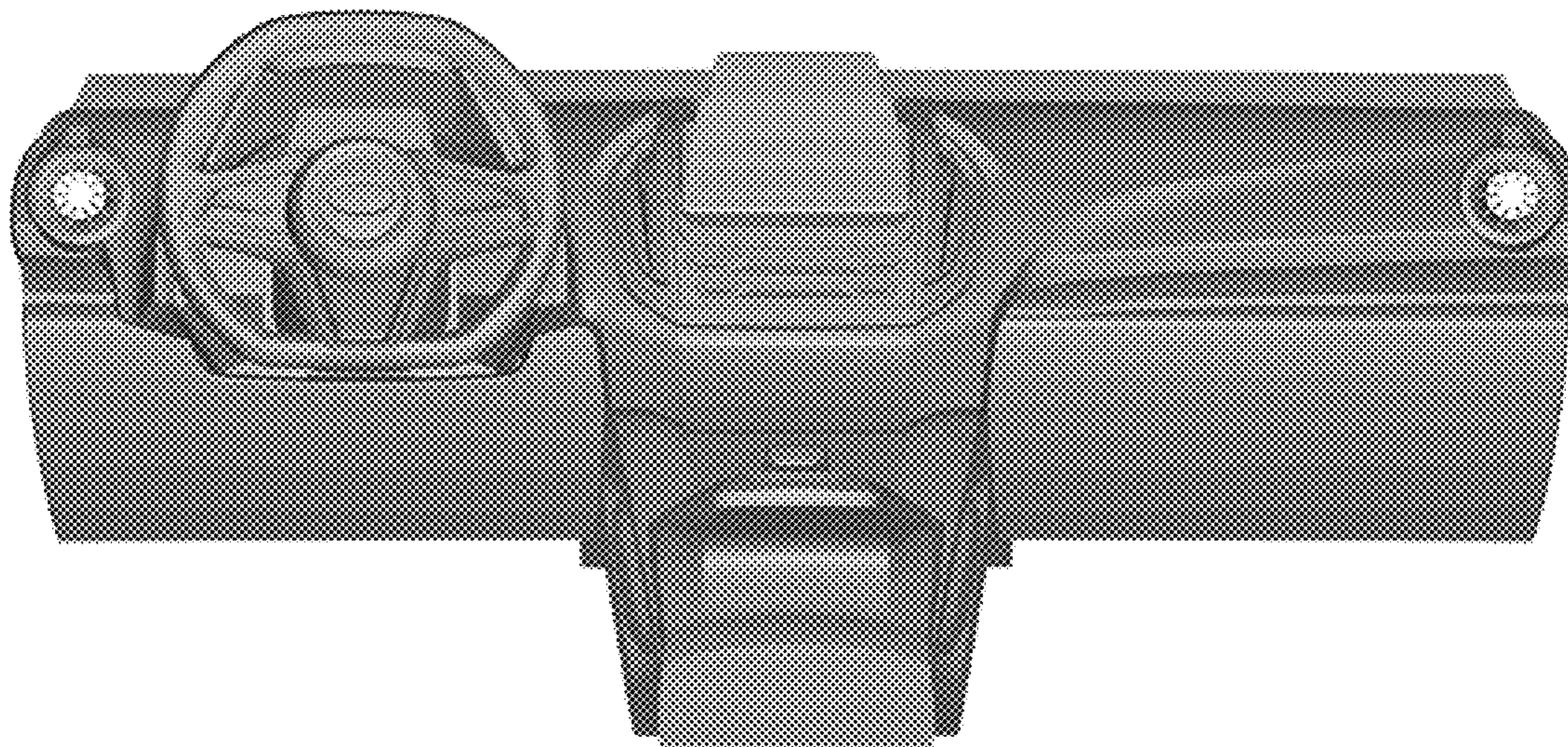


Fig. 1

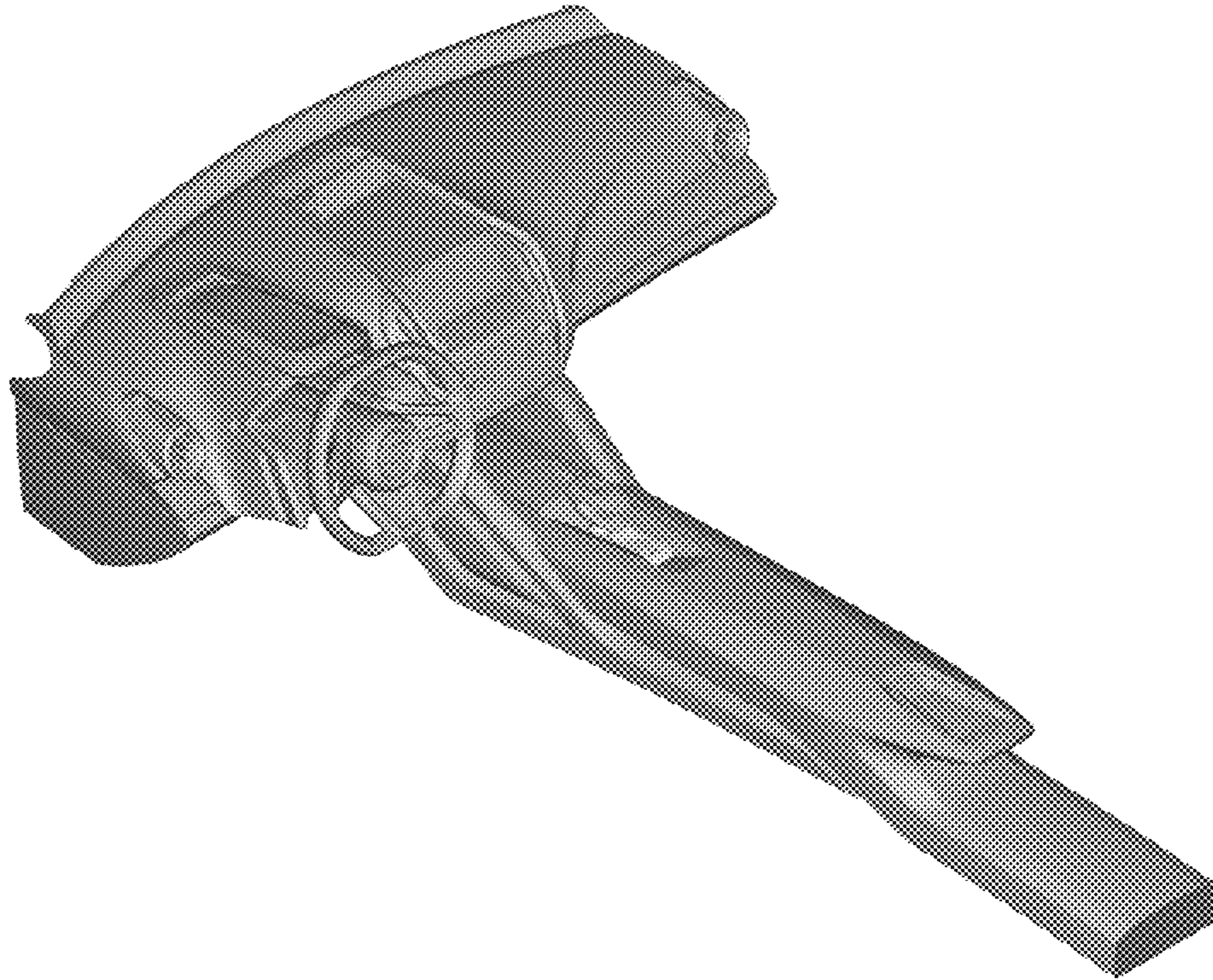


Fig. 2

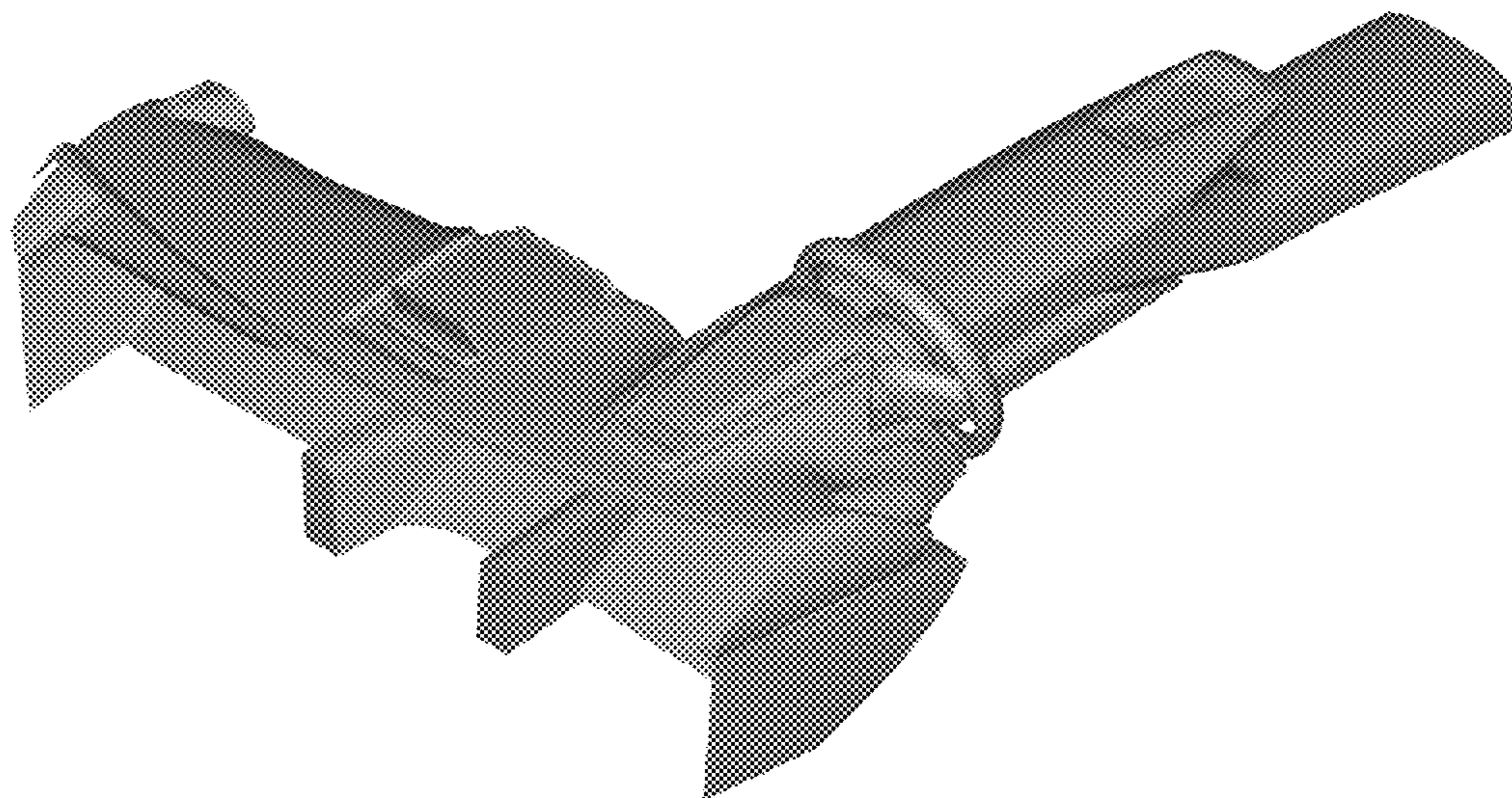


Fig. 3

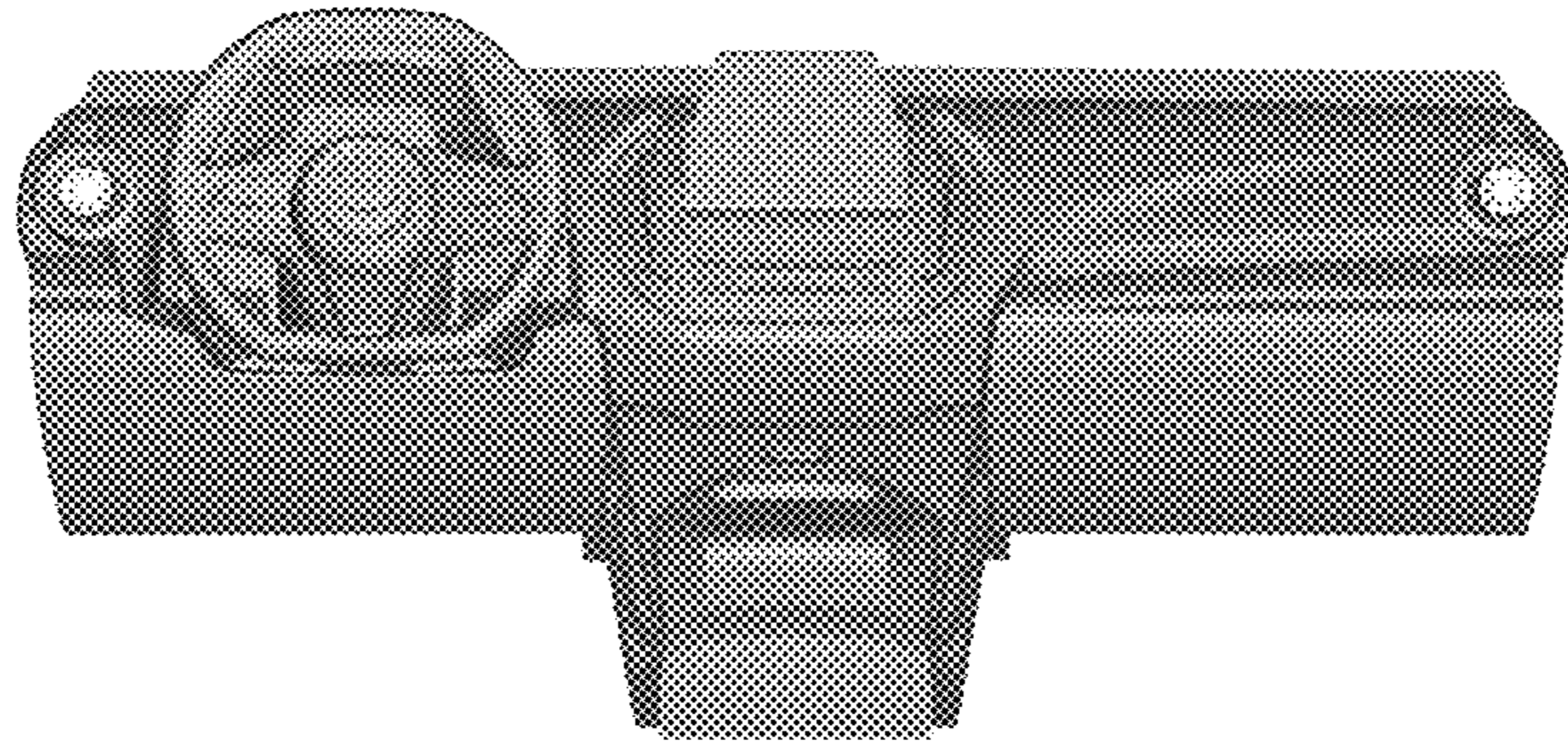


Fig. 4

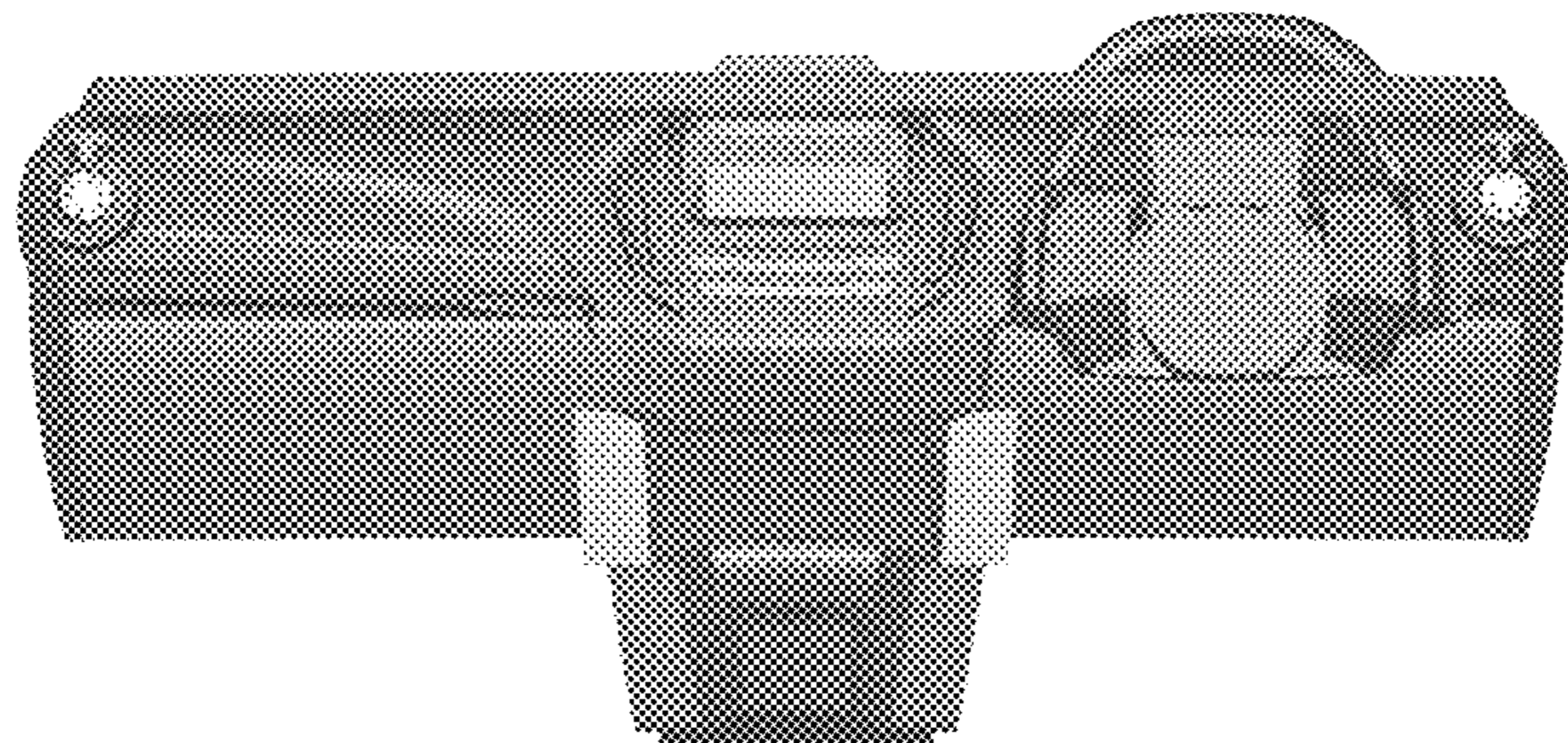


Fig. 5

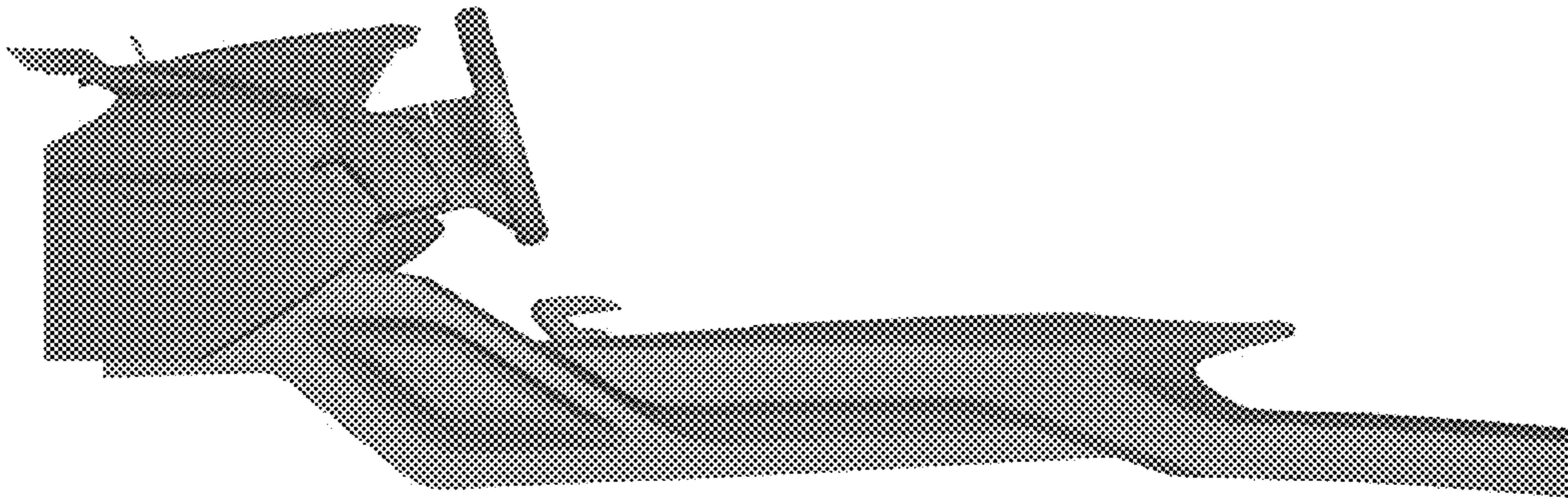


Fig. 6

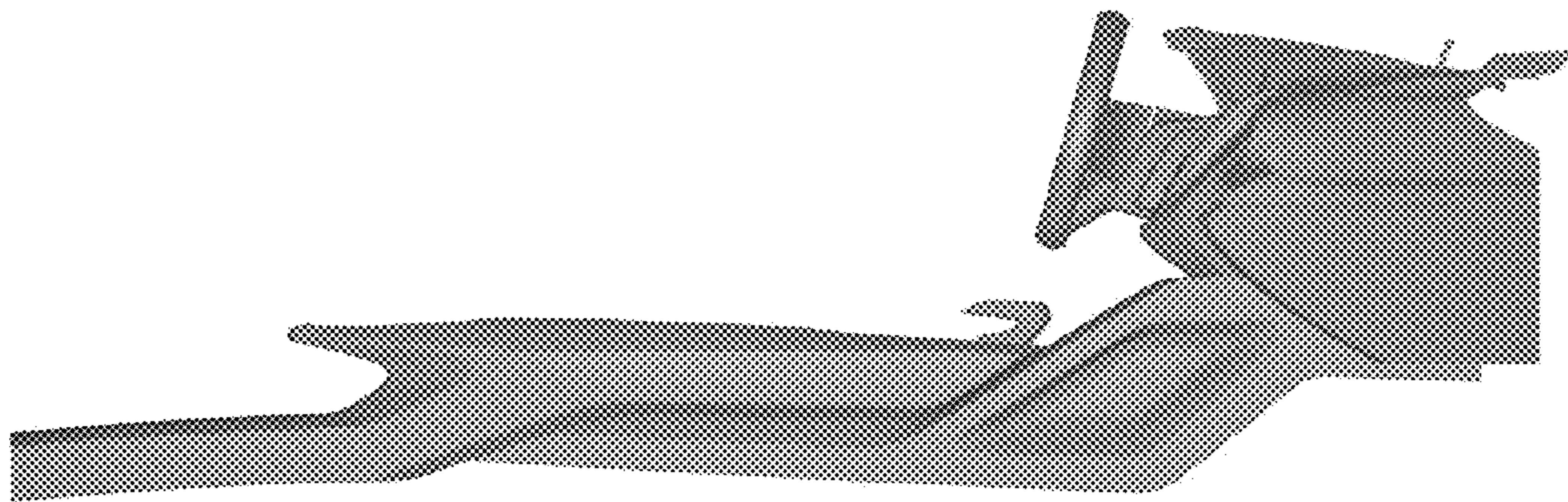


Fig. 7

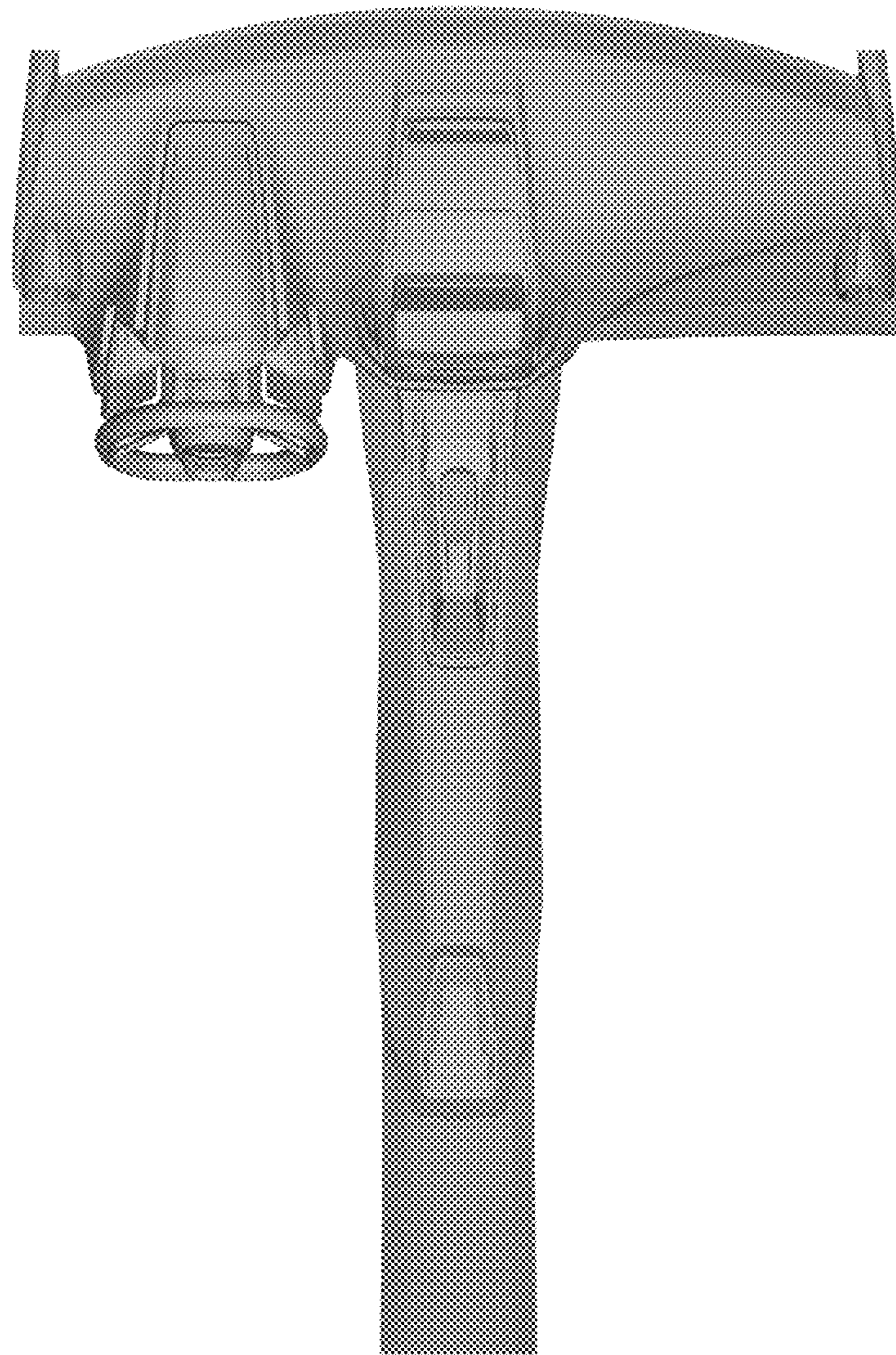


Fig. 8

