



US00D731937S

(12) **United States Design Patent**
Masakawa et al.

(10) **Patent No.:** **US D731,937 S**
(45) **Date of Patent:** **** Jun. 16, 2015**

- (54) **INSTRUMENT PANEL FOR AN AUTOMOBILE**
- (71) Applicants: **Isamu Masakawa**, Toyota (JP); **Kei Yamamoto**, Toyota (JP)
- (72) Inventors: **Isamu Masakawa**, Toyota (JP); **Kei Yamamoto**, Toyota (JP)
- (73) Assignee: **Toyota Jidosha Kabushiki Kaisha** (JP)
- (**) Term: **14 Years**
- (21) Appl. No.: **29/485,256**
- (22) Filed: **Mar. 18, 2014**
- (30) **Foreign Application Priority Data**
Sep. 30, 2013 (JP) 2013-022792
- (51) **LOC (10) Cl.** **12-16**
- (52) **U.S. Cl.**
USPC **D12/192**
- (58) **Field of Classification Search**
USPC D12/192, 415, 110, 114; 180/90;
280/750-752; 296/190.01-190.09,
296/191, 70; D15/17, 28; D10/46, 98,
D10/102-103, 122-127
See application file for complete search history.

- D654,004 S * 2/2012 Hamajima et al. D12/192
- D654,837 S * 2/2012 Riggs et al. D12/192
- D656,074 S * 3/2012 Ohmori et al. D12/192

OTHER PUBLICATIONS

Peugeot, Peugeot-208 GTi, netcarshow.com, <http://www.netcarshow.com/peugeot/2014-208_gti/800x600/wallpaper_22.htm>, available before Aug. 1, 2013.
Renault, Renault Espace IV 2.2 dCi, netcarshow.com, <http://www.netcarshow.com/renault/2002-espace_iv_2.2_dci/800x600/wallpaper_05.htm>, available before Aug. 1, 2013.

* cited by examiner

Primary Examiner — Katrina A Betton

(74) *Attorney, Agent, or Firm* — Saidman DesignLaw Group, LLC

(57) **CLAIM**

The ornamental design for an instrument panel for an automobile, as shown and described.

DESCRIPTION

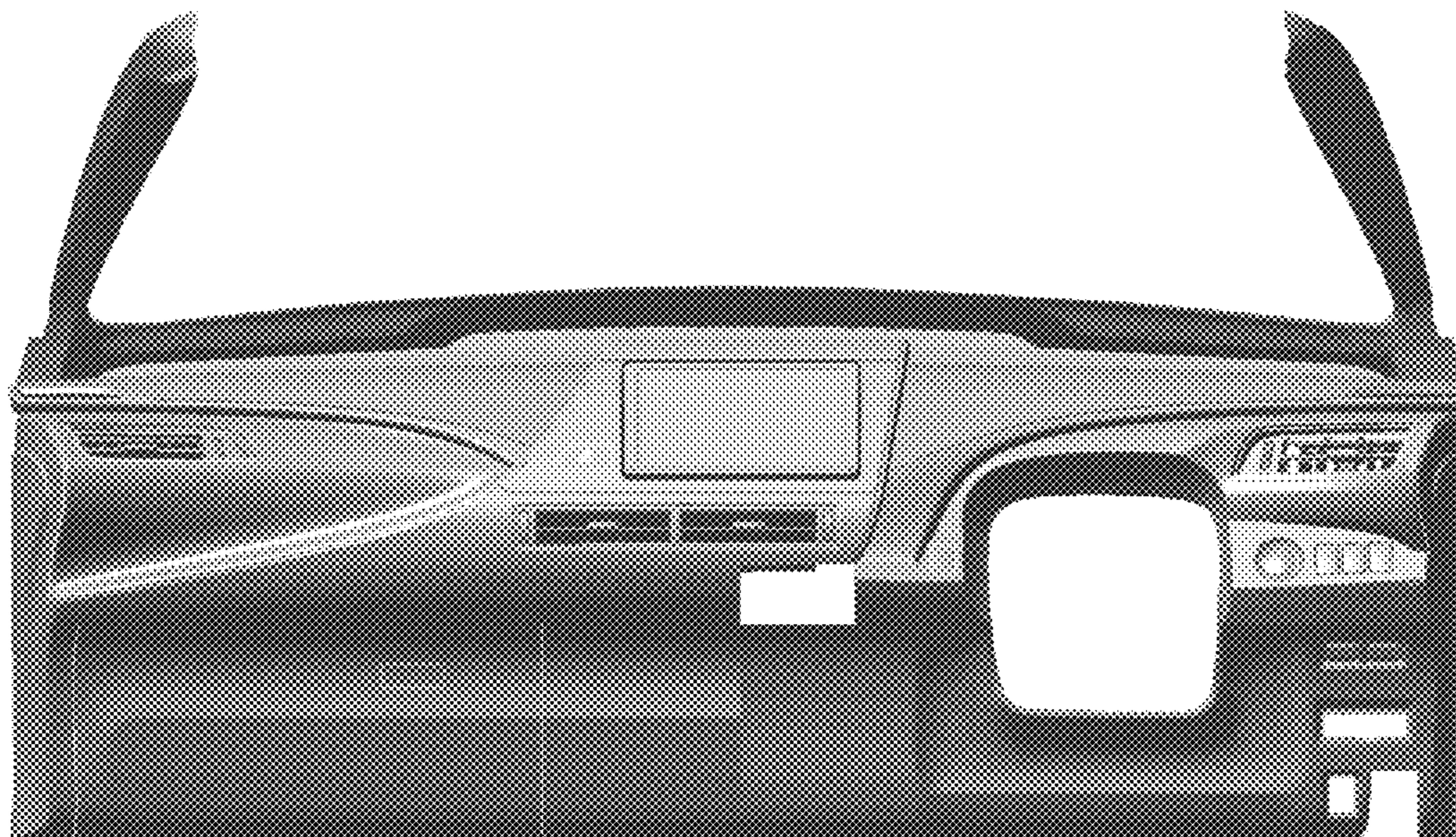
FIG. 1 is a perspective view of an instrument panel for an automobile showing our new design;
FIG. 2 is a front view thereof;
FIG. 3 is a rear view thereof;
FIG. 4 is a top view thereof;
FIG. 5 is a bottom view thereof;
FIG. 6 is a right side view thereof; and,
FIG. 7 is a left side view thereof.
The drawings include shadows and reflections which indicate contour, not surface ornamentation.

1 Claim, 6 Drawing Sheets

(56) **References Cited**

U.S. PATENT DOCUMENTS

- D652,773 S * 1/2012 Kitajima et al. D12/192
- D653,185 S * 1/2012 Senda et al. D12/192



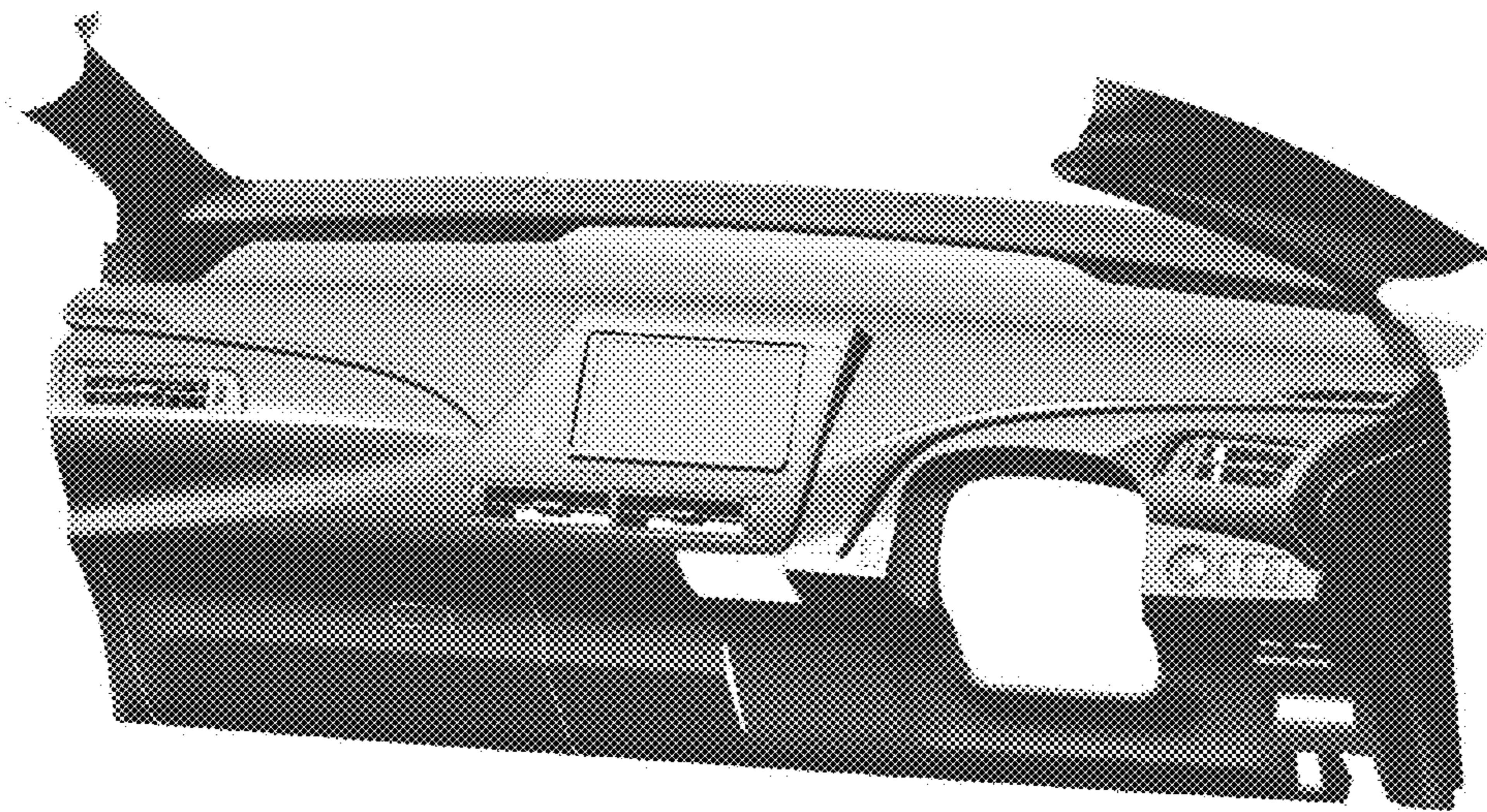


Fig. 1

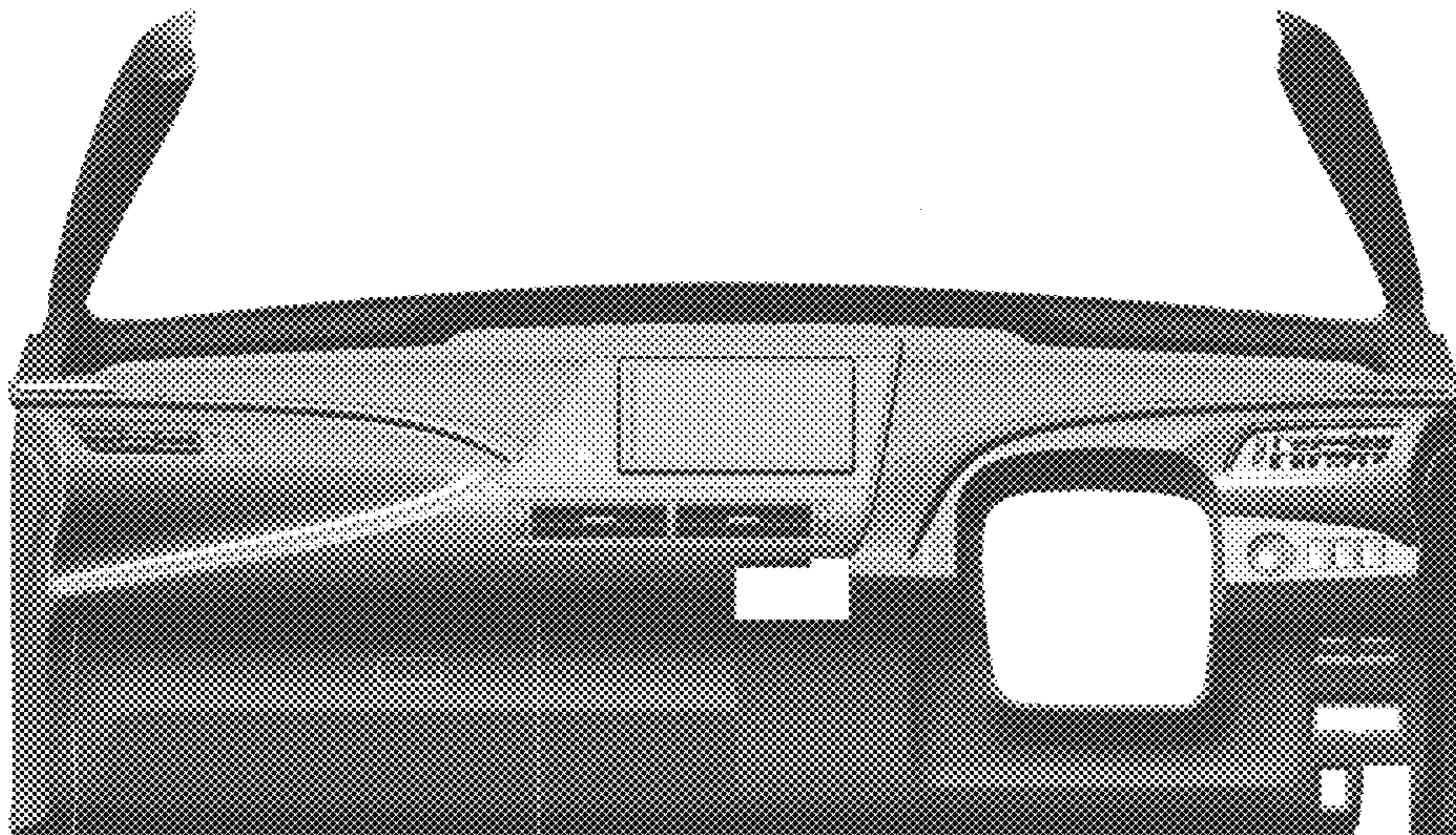


Fig. 2

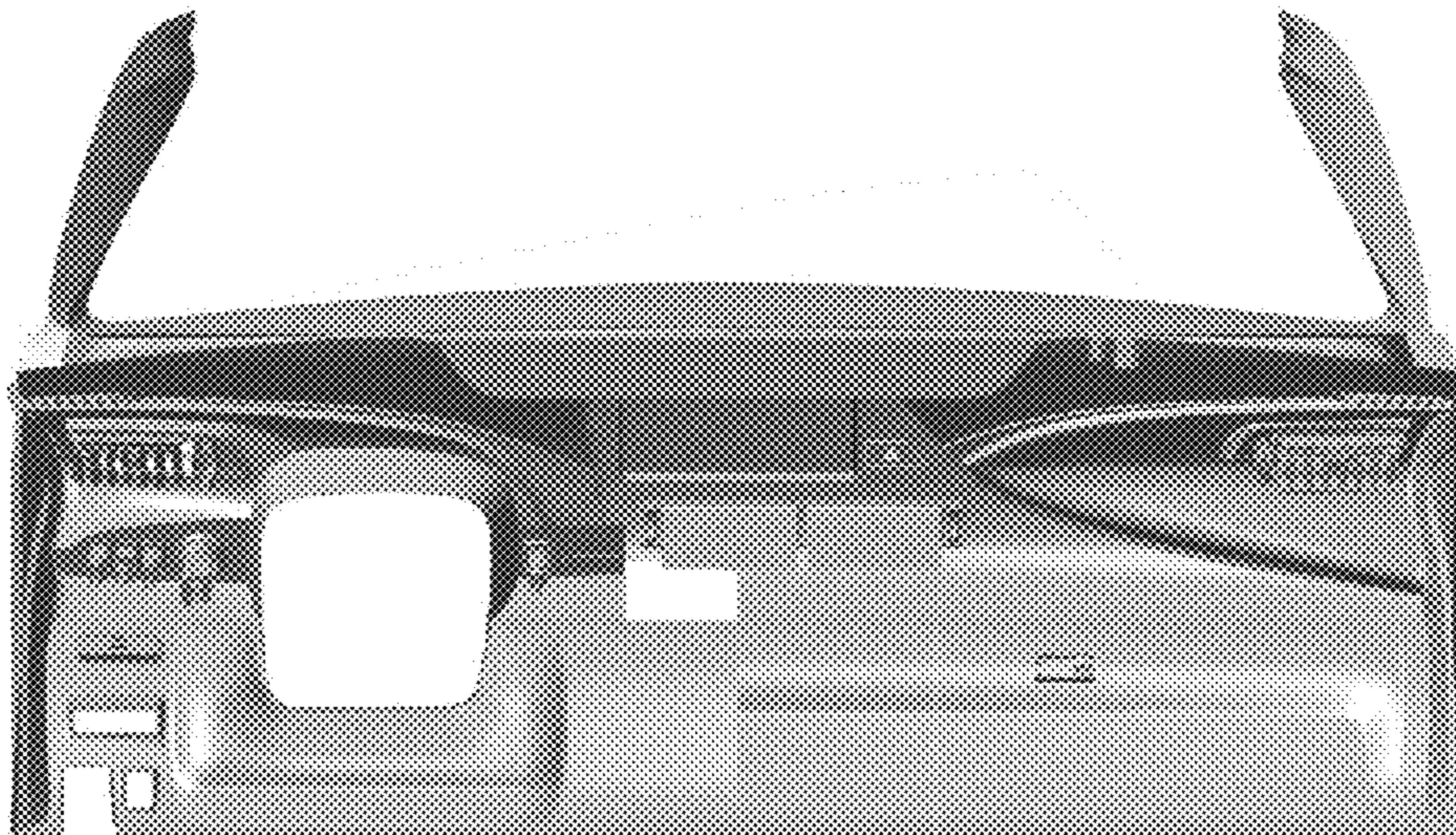


Fig. 3

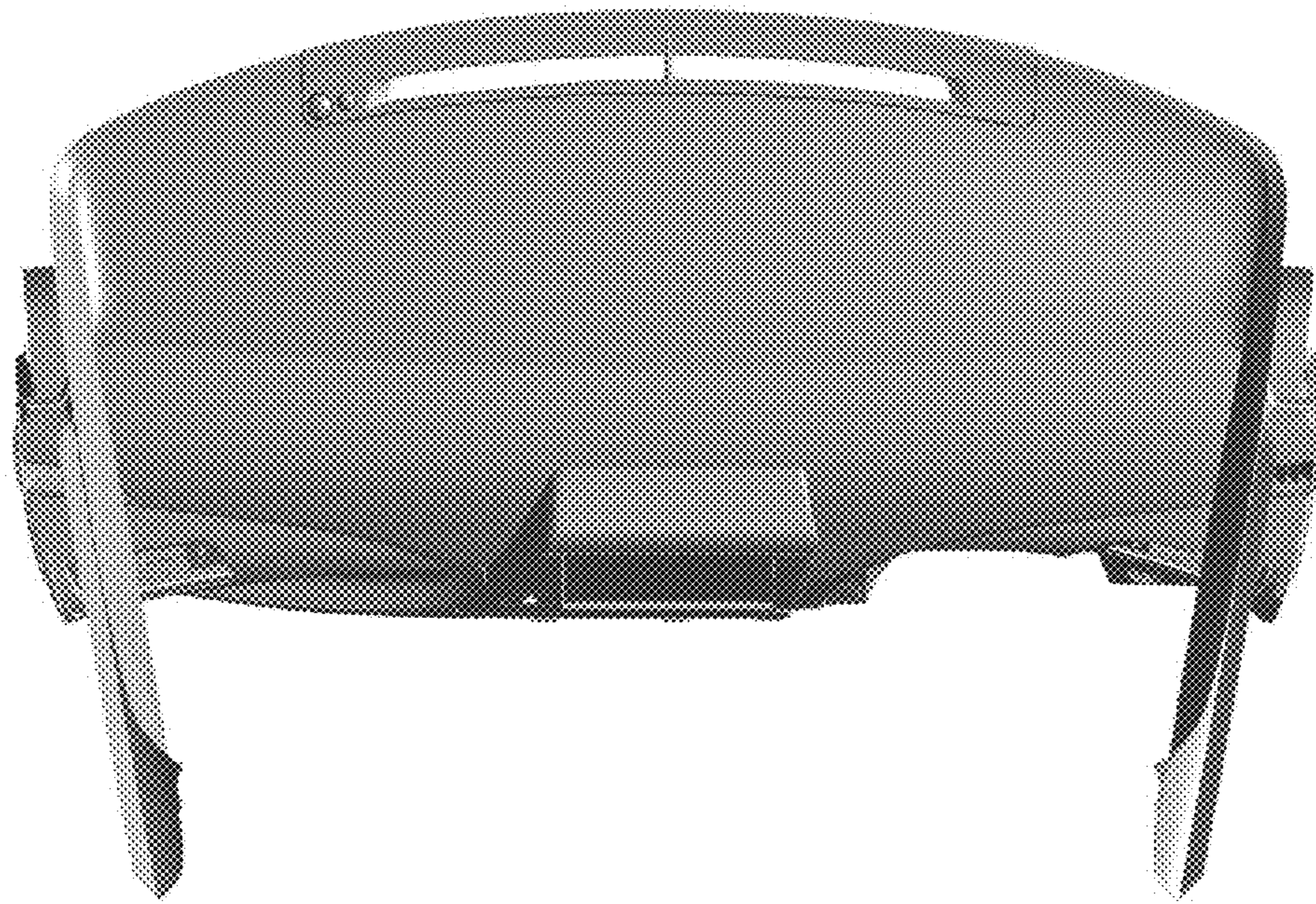


Fig. 4

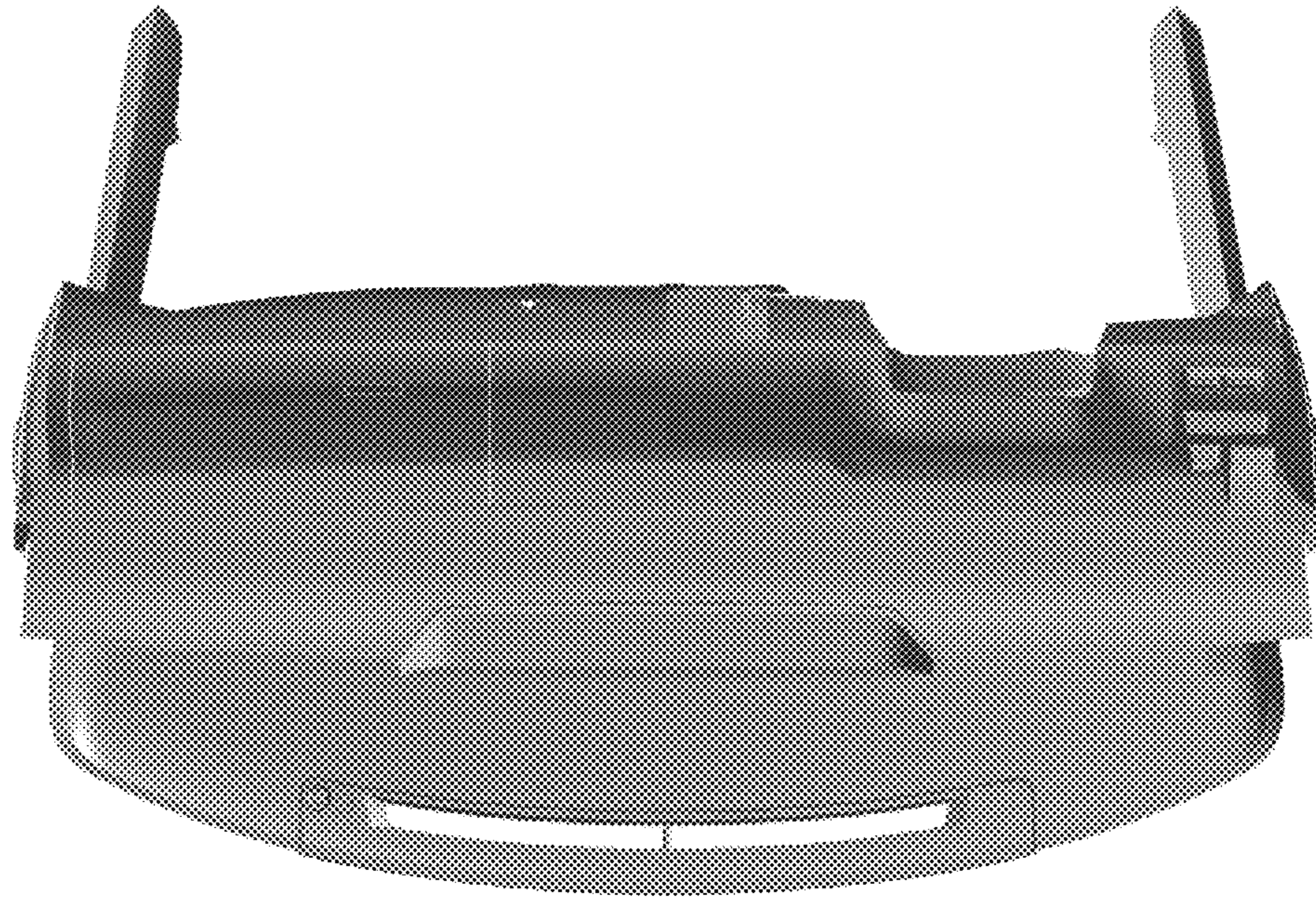


Fig. 5

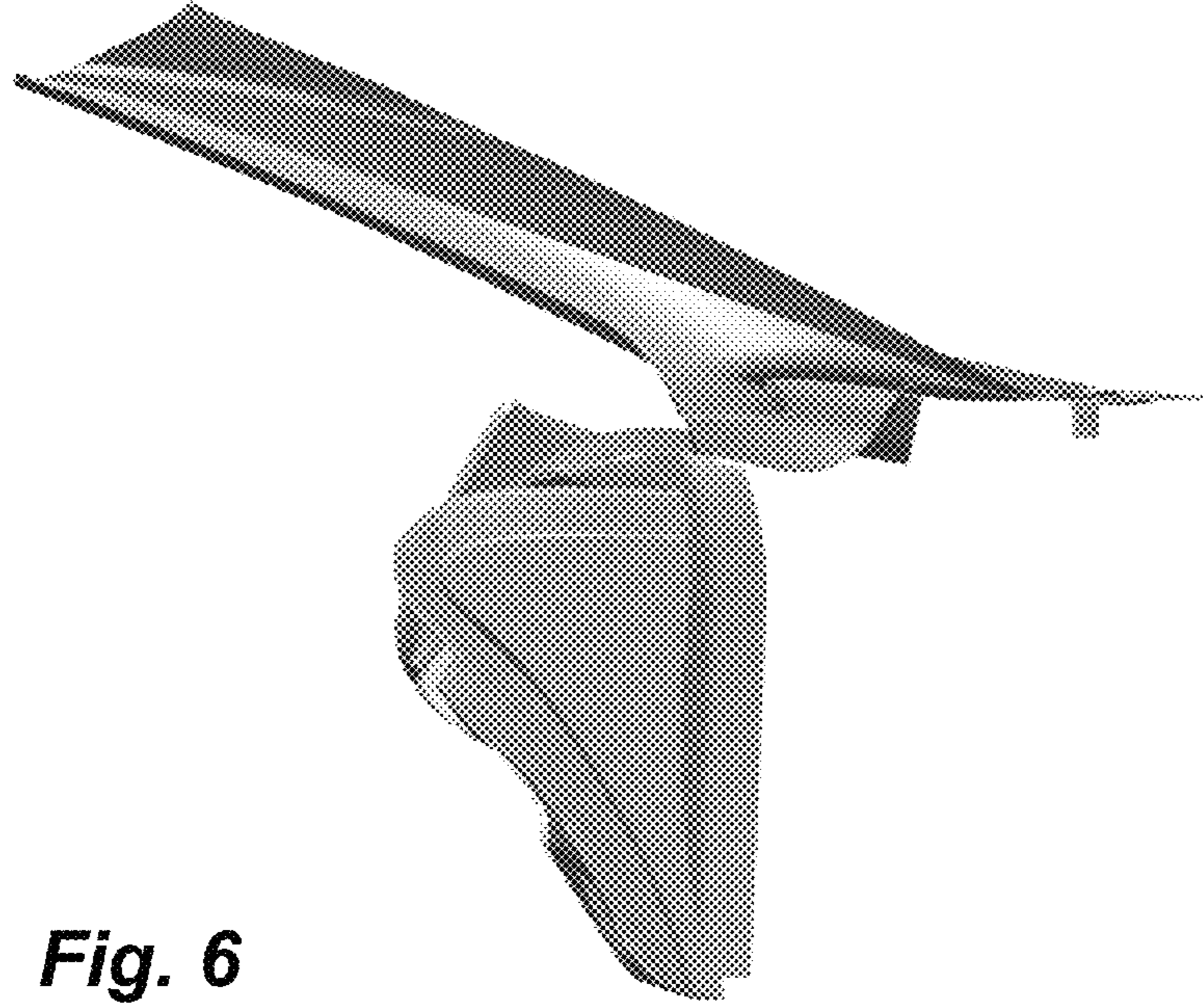


Fig. 6

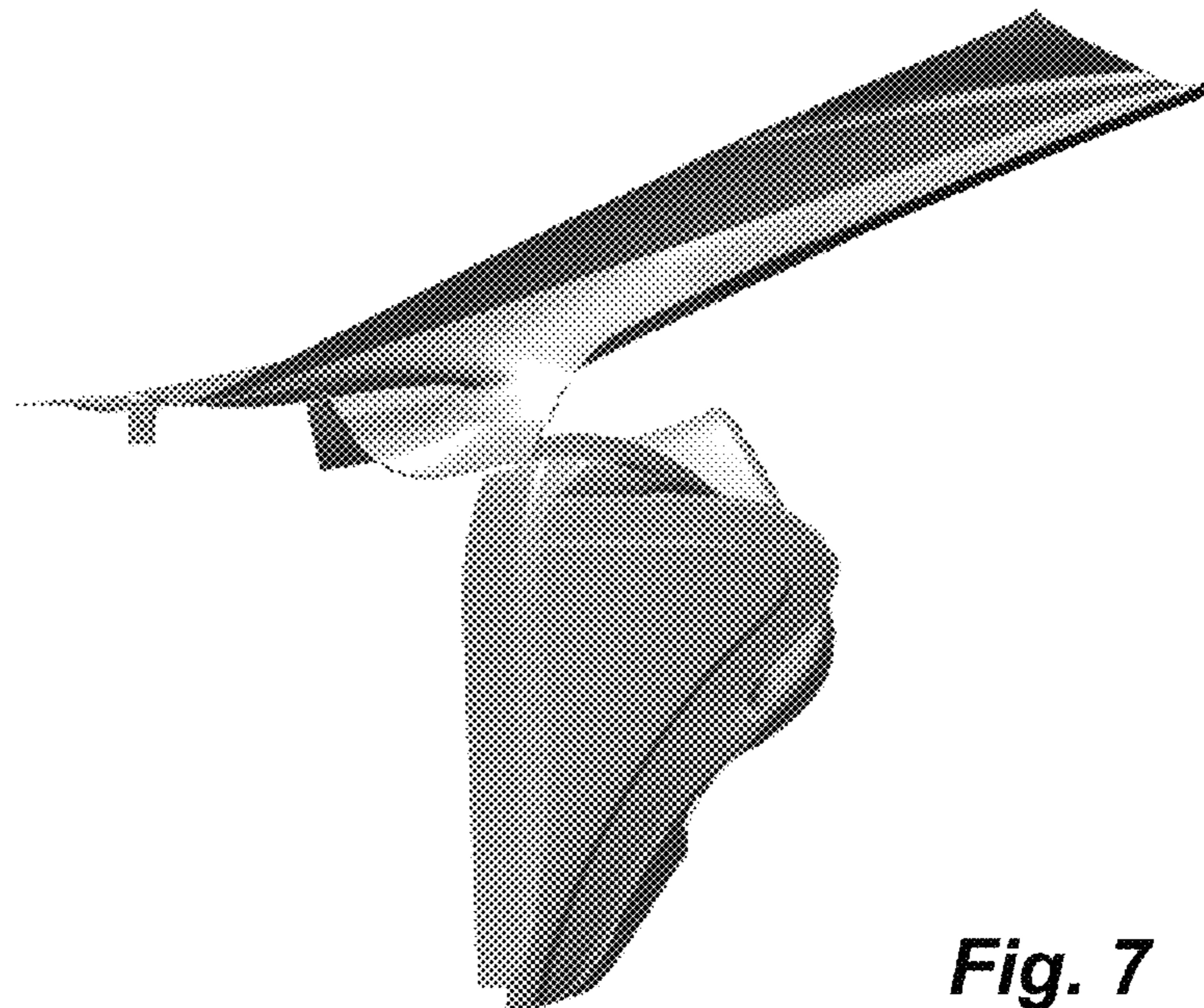


Fig. 7