



US00D731936S

(12) **United States Design Patent**  
**Darwin**

(10) **Patent No.:** **US D731,936 S**  
(45) **Date of Patent:** **\*\* Jun. 16, 2015**

(54) **FENDER**

(71) Applicant: **Mucky Nutz Limited**, Sheffield, South Yorkshire (GB)

(72) Inventor: **Shane Darwin**, Sheffield (GB)

(73) Assignee: **MUCKY NUTZ LIMITED**, Sheffield, South Yorkshire (GB)

(\*\*) Term: **14 Years**

(21) Appl. No.: **29/460,260**

(22) Filed: **Jul. 9, 2013**

(30) **Foreign Application Priority Data**

Jan. 11, 2013 (EM) ..... 002165332-0004

(51) **LOC (10) Cl.** ..... **12-16**

(52) **U.S. Cl.**  
USPC ..... **D12/186**

(58) **Field of Classification Search**

USPC ..... D12/114, 186, 409, 223, 185, 410, 126, D12/110; 297/215.13, 215.14, 215.15; 280/152.1, 152.2, 852, 728.2, 728.3, 280/730.1, 288.4, 279, 280, 304.3, 220, 280/274, 278, 287, 62, 87.01, 87.041, 280/87.05, 275, 854; D6/354; 2/22, 16, 2/910, 159, 170, 161.1, 162; 224/413, 224/430, 419, 440, 447, 431, 423, 427, 652, 224/653, 680, 681, 442, 243, 245, 911, 244, 224/222; 681/442, 243, 245, 911, 244, 222; 296/78.1, 37.1; 473/59; 180/229, 219, 180/68.3, 309, 68.4, 311, 230, 231, 297; 602/21; 123/520, 54.4; 414/809; 74/551.1, 551.2, 551.3, 551.4, 551.5, 74/551.6, 551.7, 551.8, 489, 502.2; 190/9; 220/9.1; 362/473, 506, 545, 549, 497; D26/28; 29/426.2; 188/24.12, 24.22; 248/231.31; 403/246, 398, 49; 474/82; D29/120.1

See application file for complete search history.

(56) **References Cited**

U.S. PATENT DOCUMENTS

D185,909	S	*	8/1959	Schreckengost	.....	D12/186
3,934,900	A	*	1/1976	Wilson	.....	280/152.3
4,624,151	A	*	11/1986	Huret	.....	74/491
4,657,010	A	*	4/1987	Wright	.....	128/205.25
D293,312	S	*	12/1987	Stahel	.....	D12/186
D298,820	S	*	12/1988	Breen et al.	.....	D12/186
4,926,501	A	*	5/1990	Goosen	.....	2/22
D316,995	S	*	5/1991	Kowalski	.....	D12/186
D325,367	S	*	4/1992	Cottel	.....	D12/186
5,322,311	A	*	6/1994	Dunn	.....	280/152.1
D349,087	S	*	7/1994	Rowley	.....	D12/186
D371,531	S	*	7/1996	Colton	.....	D12/186
5,566,389	A	*	10/1996	Li	.....	2/16
5,810,222	A	*	9/1998	Shoemaker	.....	224/244
D400,126	S	*	10/1998	Hutchins	.....	D12/114
5,873,130	A	*	2/1999	Lafferty	.....	2/16
D409,539	S	*	5/1999	Hanlon et al.	.....	D12/186
D429,076	S	*	8/2000	Rash	.....	D6/354
6,196,614	B1	*	3/2001	Willey	.....	296/78.1
D461,150	S	*	8/2002	Myers et al.	.....	D12/186
6,557,876	B2	*	5/2003	Saiki et al.	.....	280/152.1
6,634,664	B1	*	10/2003	Kojima	.....	280/288.4

(Continued)

*Primary Examiner* — Robert M Spear

*Assistant Examiner* — Ryan Harvey

(74) *Attorney, Agent, or Firm* — King & Scickli, PLLC

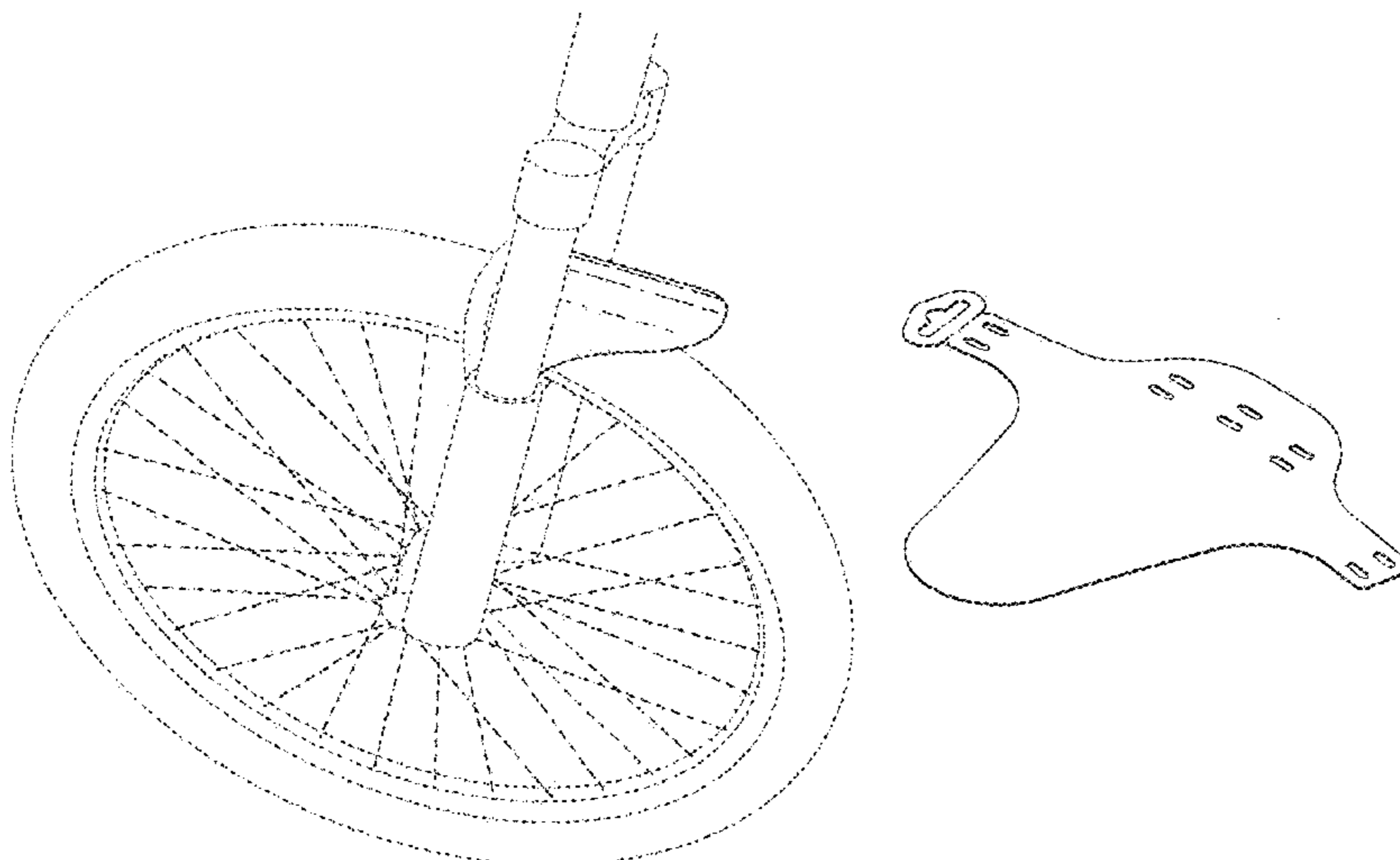
(57) **CLAIM**

The ornamental design for a fender, as shown and described.

**DESCRIPTION**

FIG. 1 is a perspective view of the fender in use; FIG. 2 is a front perspective view of the fender; and, FIG. 3 is a top plan view of the fender. The broken line showing of a bicycle wheel in FIG. 1 is for the purpose of illustrating the environment of use and forms no part of the claimed design.

**1 Claim, 3 Drawing Sheets**



(56)

**References Cited**

U.S. PATENT DOCUMENTS

D482,304 S \* 11/2003 Song ..... D12/186  
D512,354 S \* 12/2005 Grove ..... D12/186  
D547,255 S \* 7/2007 Savage et al. .... D12/223  
D622,194 S \* 8/2010 Serbinski et al. .... D12/186  
8,191,912 B2 \* 6/2012 Serbinski ..... 280/152.1  
8,262,114 B2 \* 9/2012 Jessie, Jr. .... 280/279

D692,186 S \* 10/2013 Phillips ..... D29/108  
2006/0011676 A1 \* 1/2006 Willows et al. .... 224/148.4  
2008/0290625 A1 \* 11/2008 Kuo-Chung ..... 280/152.1  
2011/0315728 A1 \* 12/2011 Ghormley ..... 224/413  
2012/0180183 A1 \* 7/2012 Mechling et al. .... 2/22  
2013/0228601 A1 \* 9/2013 Velarde ..... 224/222  
2014/0097216 A1 \* 4/2014 Rogers ..... 224/243  
2014/0202469 A1 \* 7/2014 Smaller ..... 128/863

\* cited by examiner

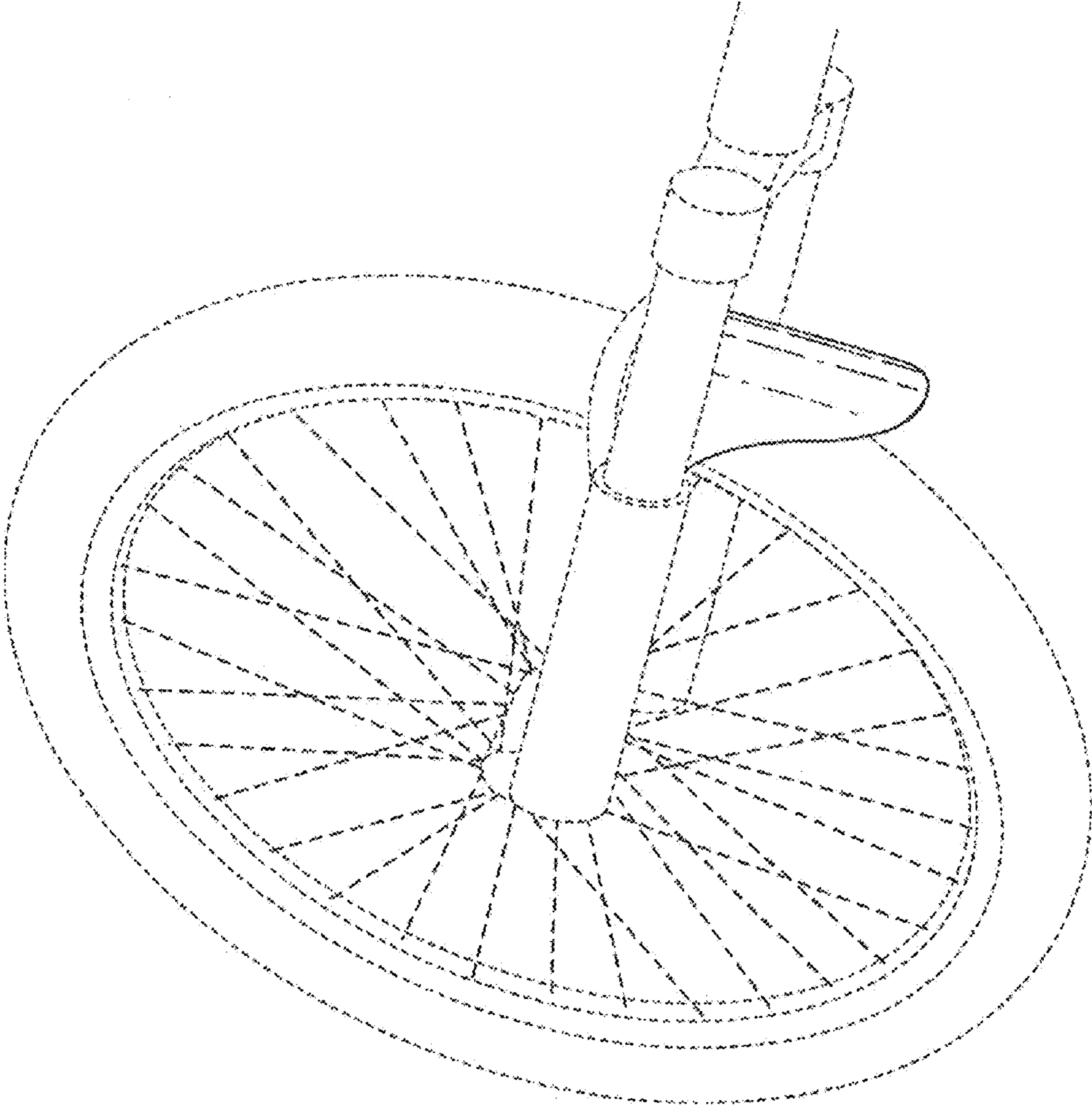


Fig. 1

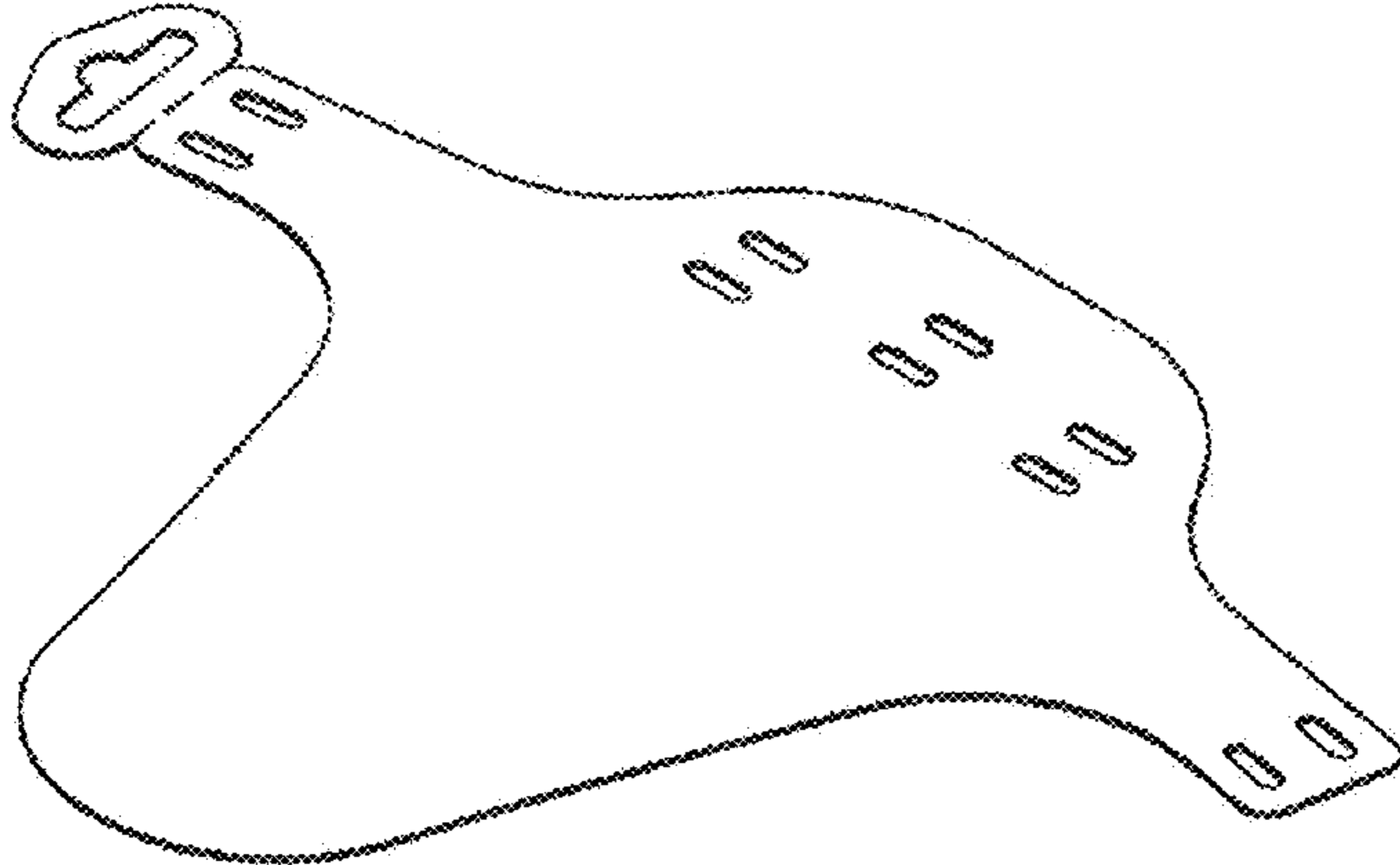


Fig. 2

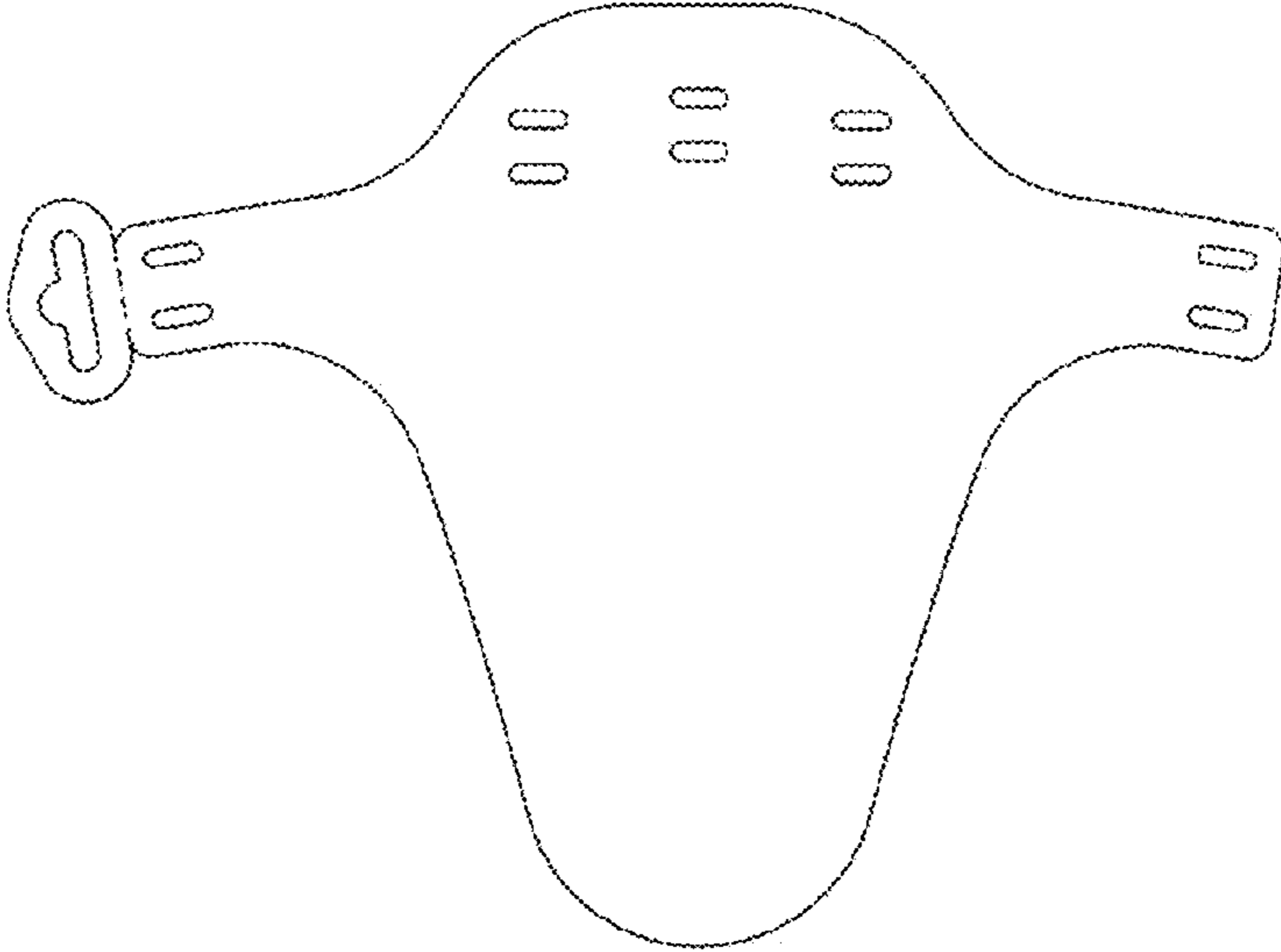


Fig. 3