



US00D731932S

(12) **United States Design Patent**  
**Lindsay et al.**

(10) **Patent No.:** **US D731,932 S**  
(45) **Date of Patent:** **\*\* Jun. 16, 2015**

(54) **AXLE**  
(71) Applicant: **SISTEMA PLASTICS LIMITED,**  
Auckland (NZ)  
(72) Inventors: **Brendan Jon Lindsay,** Auckland (NZ);  
**Saleh Ghiyath,** Auckland (NZ)  
(73) Assignee: **SISTEMA PLASTICS LIMITED,**  
Auckland (NZ)  
(\*\*) Term: **14 Years**  
(21) Appl. No.: **29/481,265**  
(22) Filed: **Feb. 3, 2014**

(30) **Foreign Application Priority Data**  
Aug. 20, 2013 (NZ) ..... 417953  
(51) **LOC (10) Cl.** ..... **12-16**  
(52) **U.S. Cl.**  
USPC ..... **D12/160**  
(58) **Field of Classification Search**  
USPC ..... D8/354, 375; 16/18 R-18 B; D3/318;  
D34/27  
CPC ..... A47C 7/006  
See application file for complete search history.

(56) **References Cited**  
U.S. PATENT DOCUMENTS  
4,689,848 A \* 9/1987 Kotzin ..... 16/46  
4,693,387 A 9/1987 Stonier

5,568,671 A \* 10/1996 Harris et al. .... 16/18 R  
D419,120 S \* 1/2000 Khaladj et al. .... D12/160  
D424,150 S \* 5/2000 Post ..... D21/771  
6,431,580 B1 8/2002 Kady  
8,365,354 B1 \* 2/2013 Fan ..... 16/35 R  
8,499,413 B1 \* 8/2013 Tsai ..... 16/35 R  
8,578,984 B2 \* 11/2013 Hannah et al. .... 152/176  
8,661,615 B1 \* 3/2014 Li et al. .... 16/37  
8,789,662 B2 \* 7/2014 Childs et al. .... 188/1.12  
8,850,657 B1 \* 10/2014 Yang ..... 16/35 R  
8,973,217 B2 \* 3/2015 Weichbrodt ..... 16/35 R  
2008/0141487 A1 \* 6/2008 Berger et al. .... 16/18 CG  
2013/0326844 A1 \* 12/2013 Stoehr ..... 16/46  
2014/0101891 A1 \* 4/2014 Hofrichter et al. .... 16/35 R  
2014/0262661 A1 \* 9/2014 Mathieu et al. .... 190/18 A  
2015/0040346 A1 \* 2/2015 Tsai ..... 16/45  
2015/0040352 A1 \* 2/2015 Tsai ..... 16/35 R

\* cited by examiner

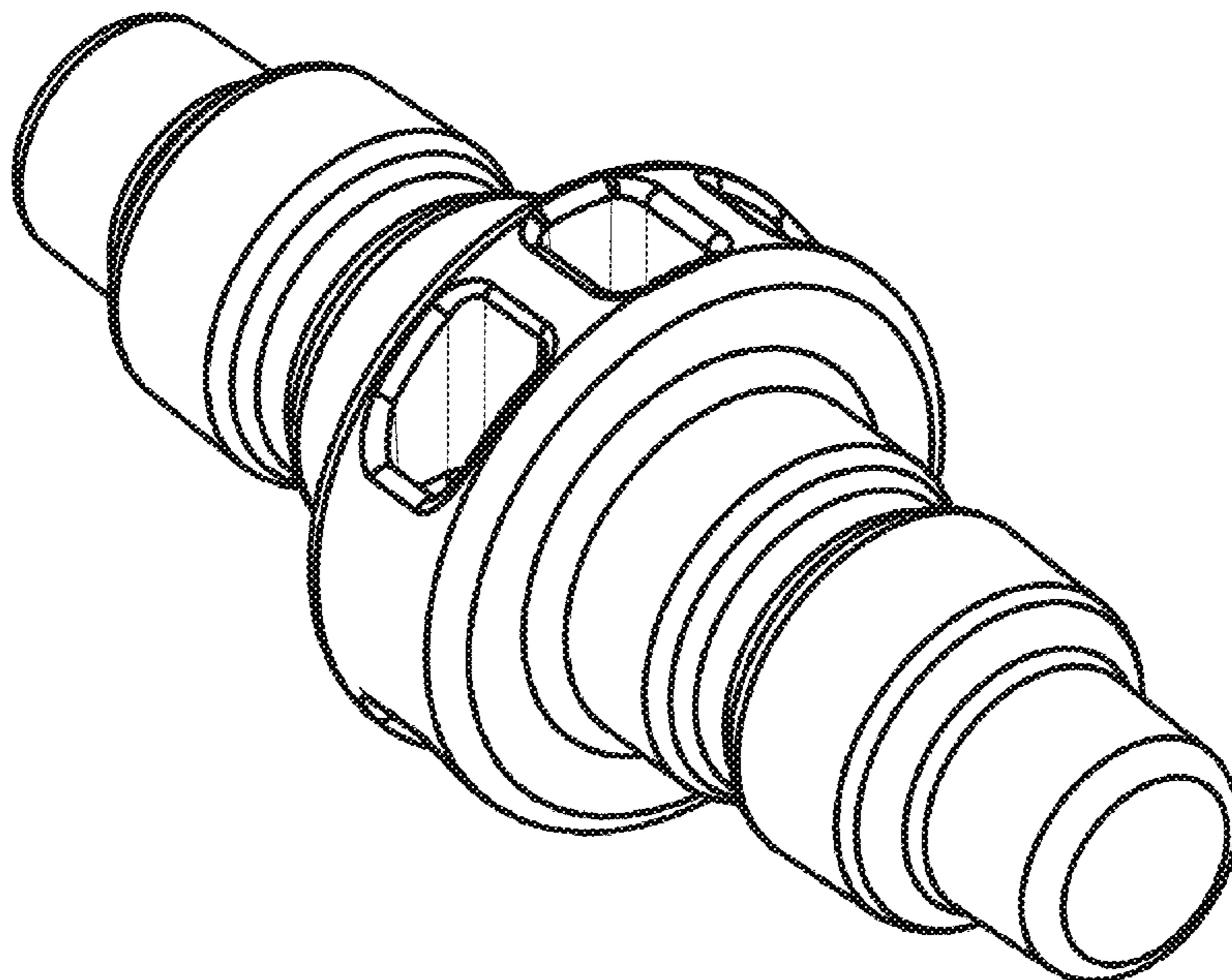
*Primary Examiner* — Michael A Pratt  
(74) *Attorney, Agent, or Firm* — Morrison & Foerster LLP

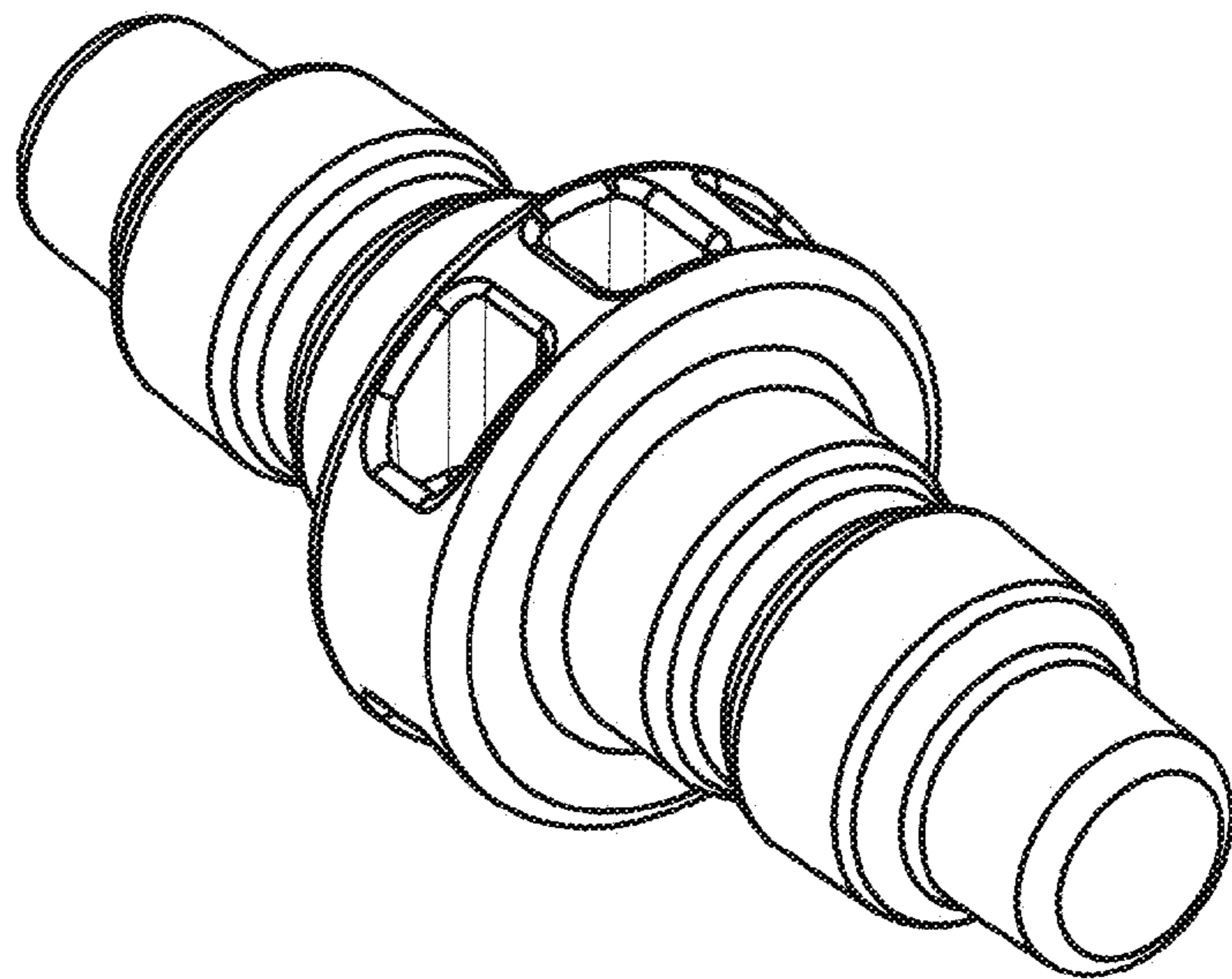
(57) **CLAIM**  
The ornamental design for an axle, as shown and described.

**DESCRIPTION**

FIG. 1 is a perspective view of an embodiment of an axle;  
FIG. 2 is a right side view of the embodiment;  
FIG. 3 is a left side view of the embodiment;  
FIG. 4 is a rear view of the embodiment;  
FIG. 5 is a front view of the embodiment; and,  
FIG. 6 is a top view of the embodiment.

**1 Claim, 6 Drawing Sheets**





*FIG. 1*

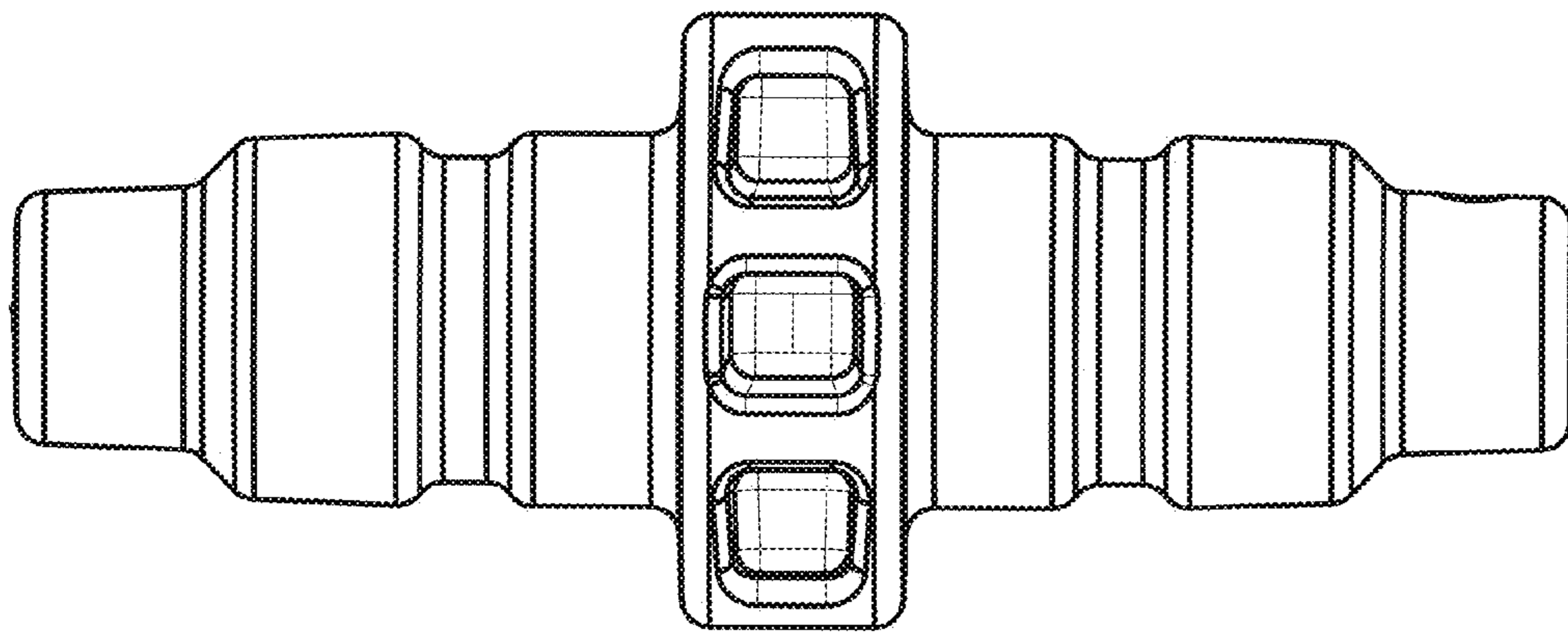


FIG. 2

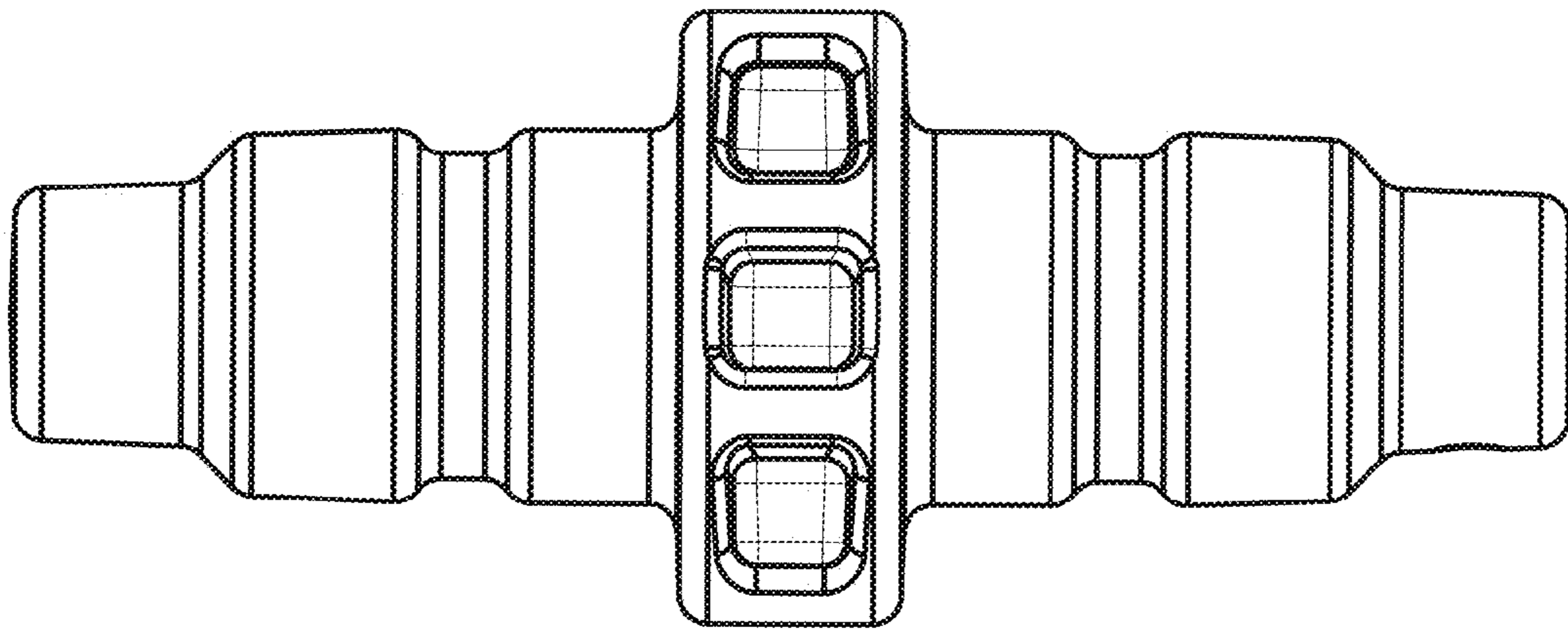


FIG. 3

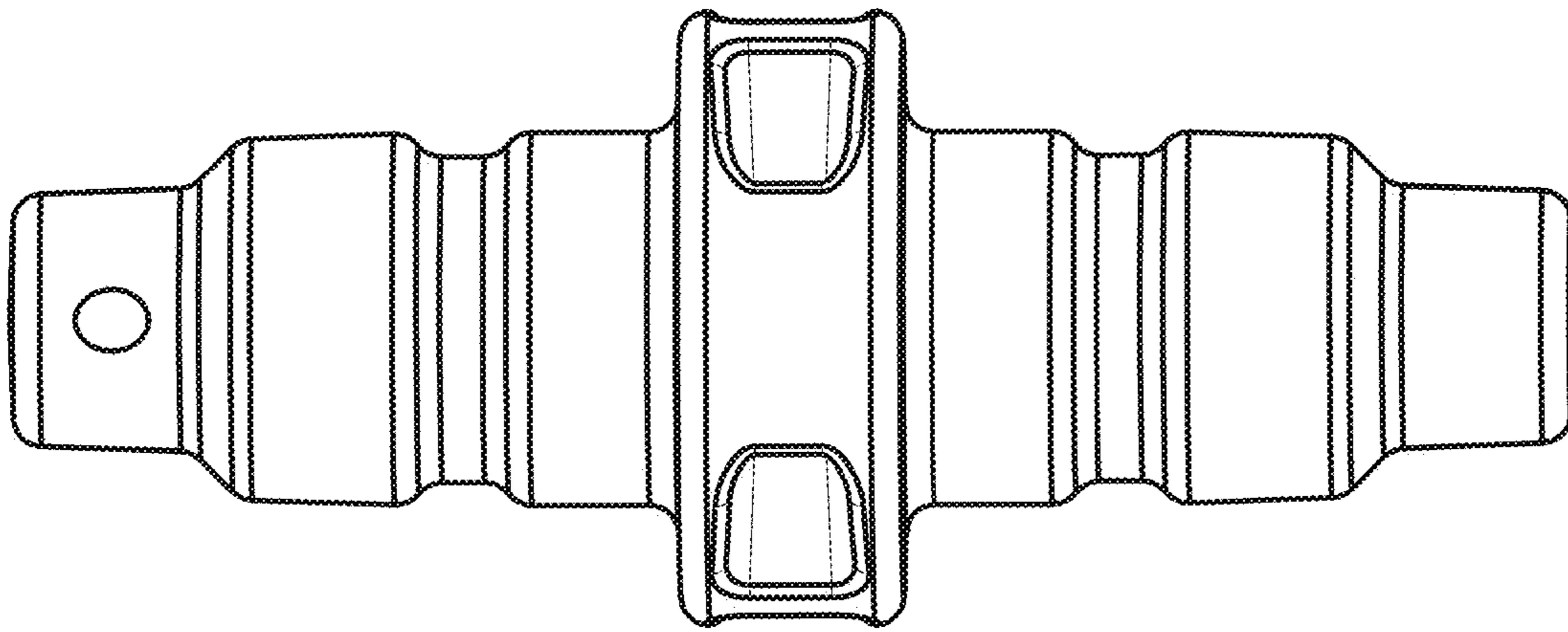


FIG. 4

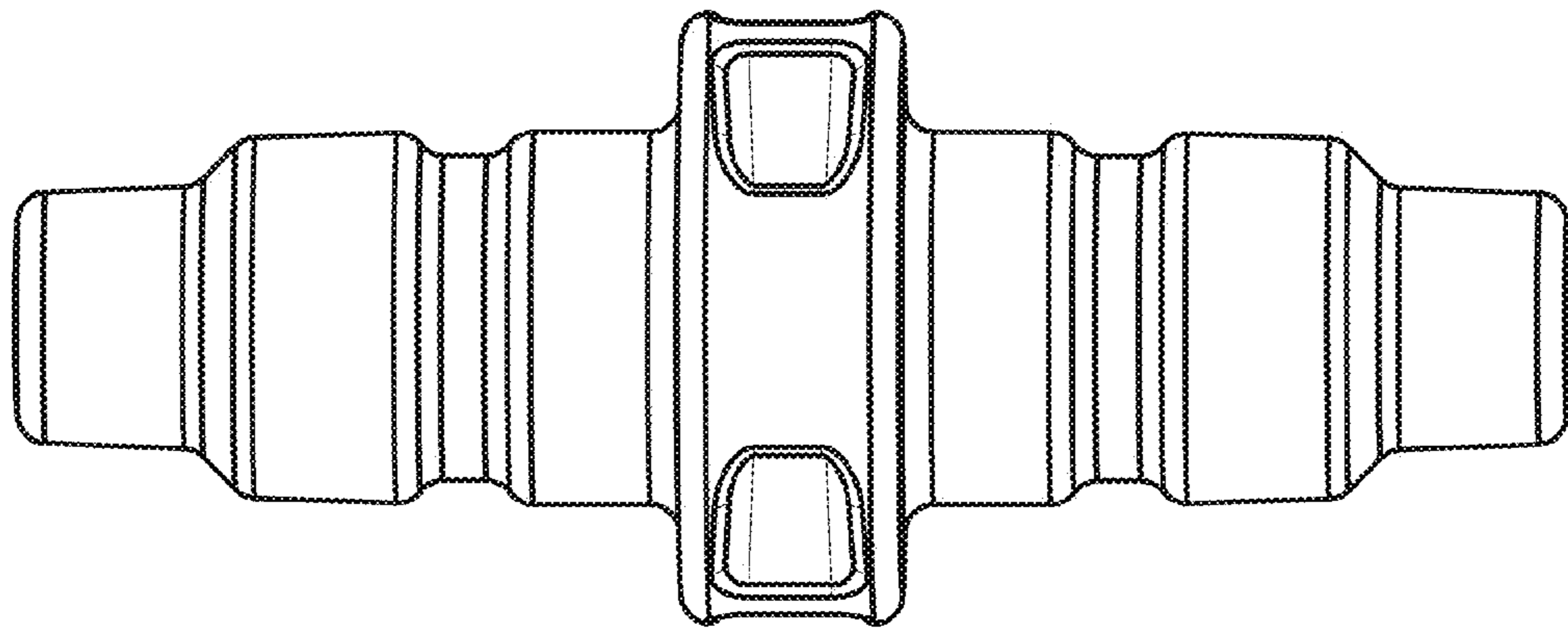
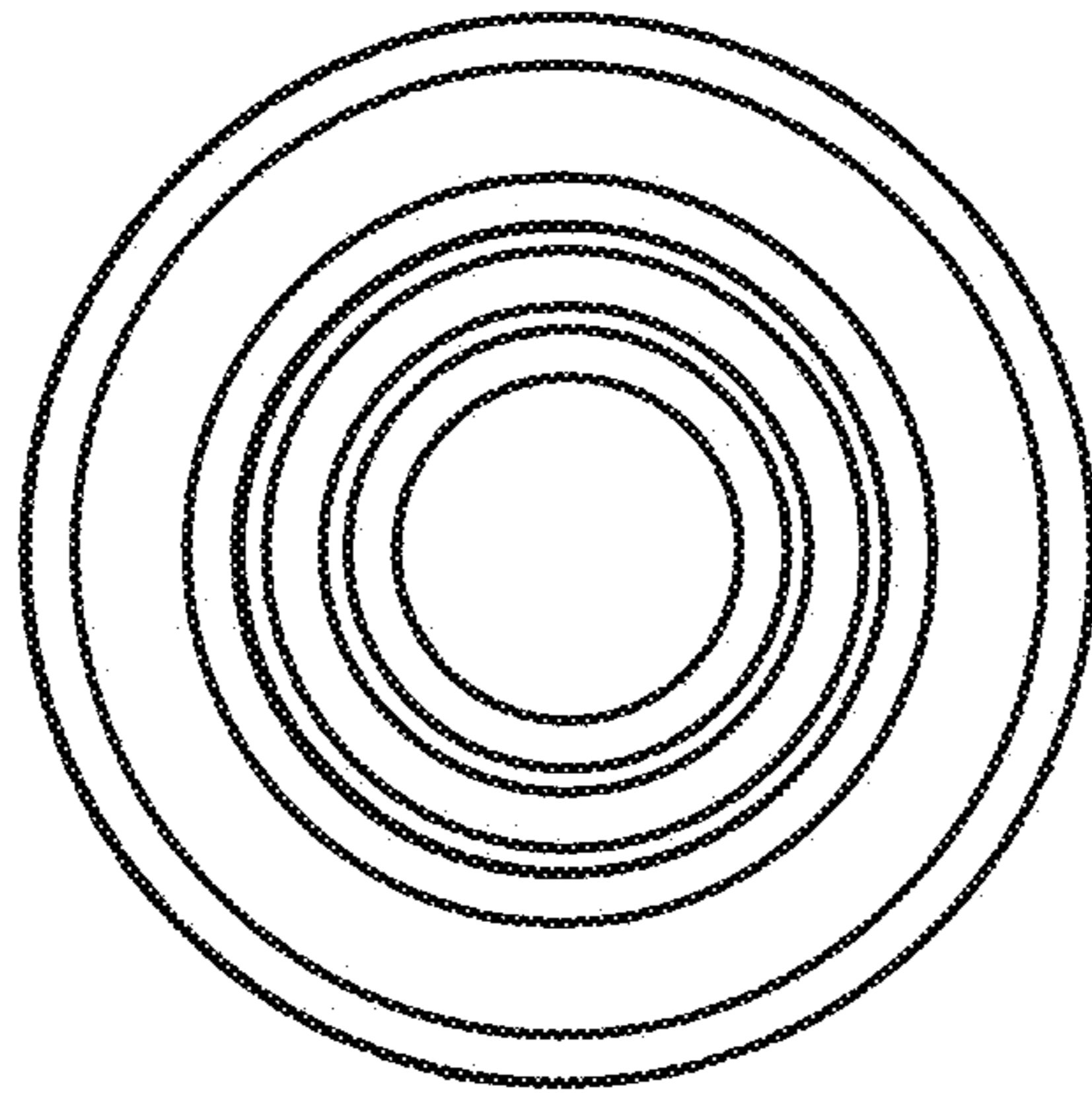


FIG. 5



*FIG. 6*