



US00D731931S

(12) **United States Design Patent**  
**Gingras et al.**

(10) **Patent No.:** **US D731,931 S**  
(45) **Date of Patent:** **\*\* Jun. 16, 2015**

(54) **WHEELCHAIR LATERAL FRAME**

(56) **References Cited**

(71) Applicant: **MOTION COMPOSITES INC.,**  
Saint-Roch-de-l'Achigan (CA)

U.S. PATENT DOCUMENTS

(72) Inventors: **David Gingras, L'Assomption (CA);**  
**Michael Archambault, Saint-Alexis**  
**(CA); Pierre-André Couture, Laval**  
**(CA)**

|           |   |   |         |                     |         |
|-----------|---|---|---------|---------------------|---------|
| 4,592,570 | A | * | 6/1986  | Nassiri .....       | 280/650 |
| D341,344  | S | * | 11/1993 | Counts et al. ....  | D12/133 |
| D412,141  | S | * | 7/1999  | Dickie et al. ....  | D12/133 |
| D433,968  | S | * | 11/2000 | Mascari et al. .... | D12/133 |
| D588,051  | S | * | 3/2009  | Moller et al. ....  | D12/133 |

(73) Assignee: **MOTION COMPOSITES INC.,**  
Saint-Roch-de l'Achigan (CA)

FOREIGN PATENT DOCUMENTS

(\*\*) Term: **14 Years**

|    |               |        |
|----|---------------|--------|
| CA | 147439        | 4/2013 |
| EP | 0021919160001 | 2/2013 |

(21) Appl. No.: **29/446,187**

\* cited by examiner

(22) Filed: **Feb. 21, 2013**

*Primary Examiner* — Ian Simmons  
*Assistant Examiner* — Charles Hanson  
(74) *Attorney, Agent, or Firm* — Norton Rose Fulbright  
Canada LLP

(30) **Foreign Application Priority Data**

(57) **CLAIM**

The ornamental design for the wheelchair lateral frame, as shown and described.

Sep. 13, 2012 (CA) ..... 147439

**DESCRIPTION**

(51) **LOC (10) Cl.** ..... **12-12**

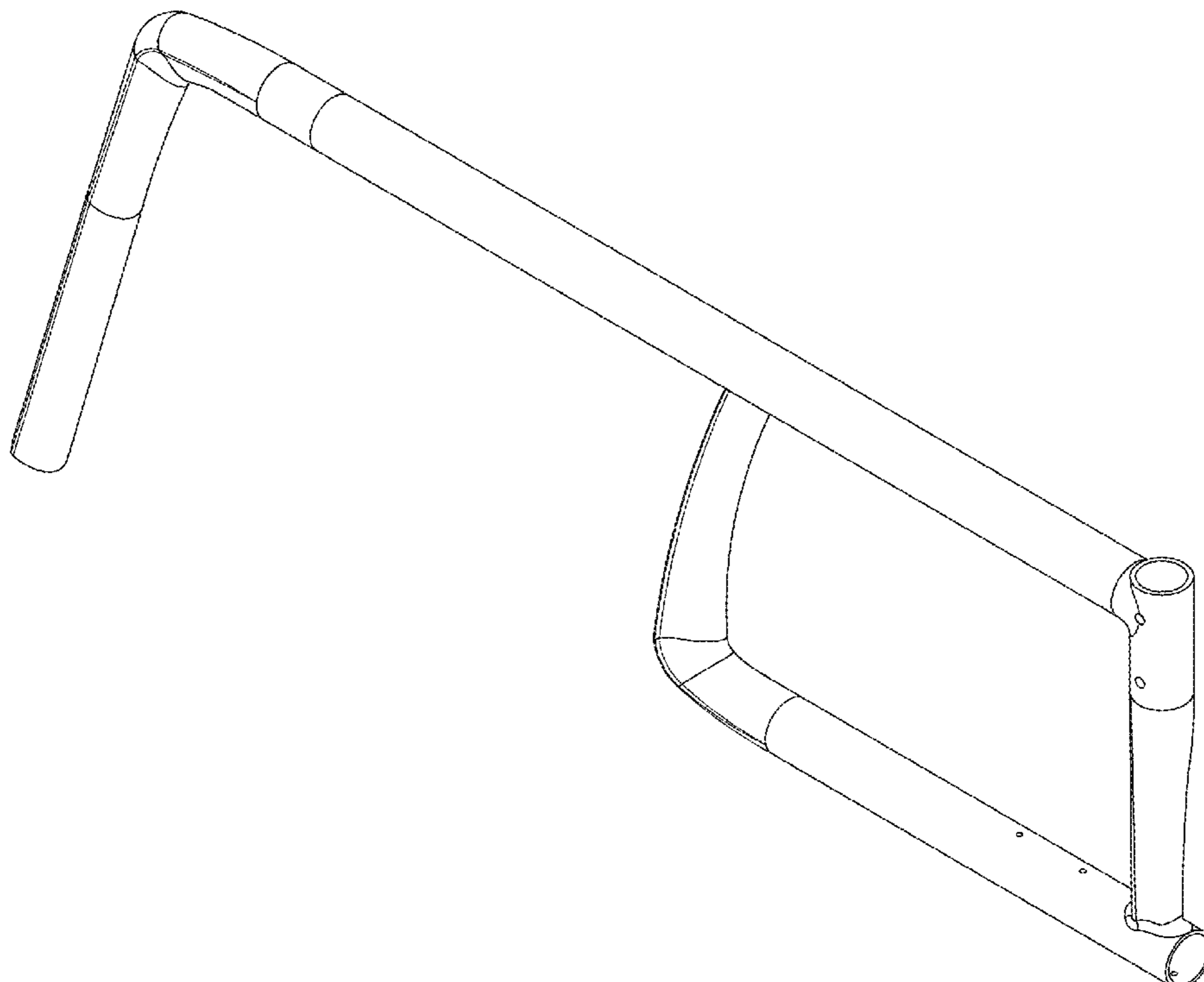
(52) **U.S. Cl.**  
USPC ..... **D12/133**

(58) **Field of Classification Search**  
USPC ..... D12/128-133; 280/62, 647-650, 29,  
280/200, 47.38, 250.1, 259, 642, 658,  
280/304.1; 128/99.1, 100.1, 102.1, 876,  
128/877

FIG. 1 is a perspective view of the wheelchair lateral frame;  
FIG. 2 is a side view thereof;  
FIG. 3 is a top view thereof;  
FIG. 4 is a bottom view thereof;  
FIG. 5 is a rear view thereof; and,  
FIG. 6 is a front view thereof.  
The broken line showing is included for the purpose of illustrating environment and forms no part of the claimed design.

See application file for complete search history.

**1 Claim, 4 Drawing Sheets**



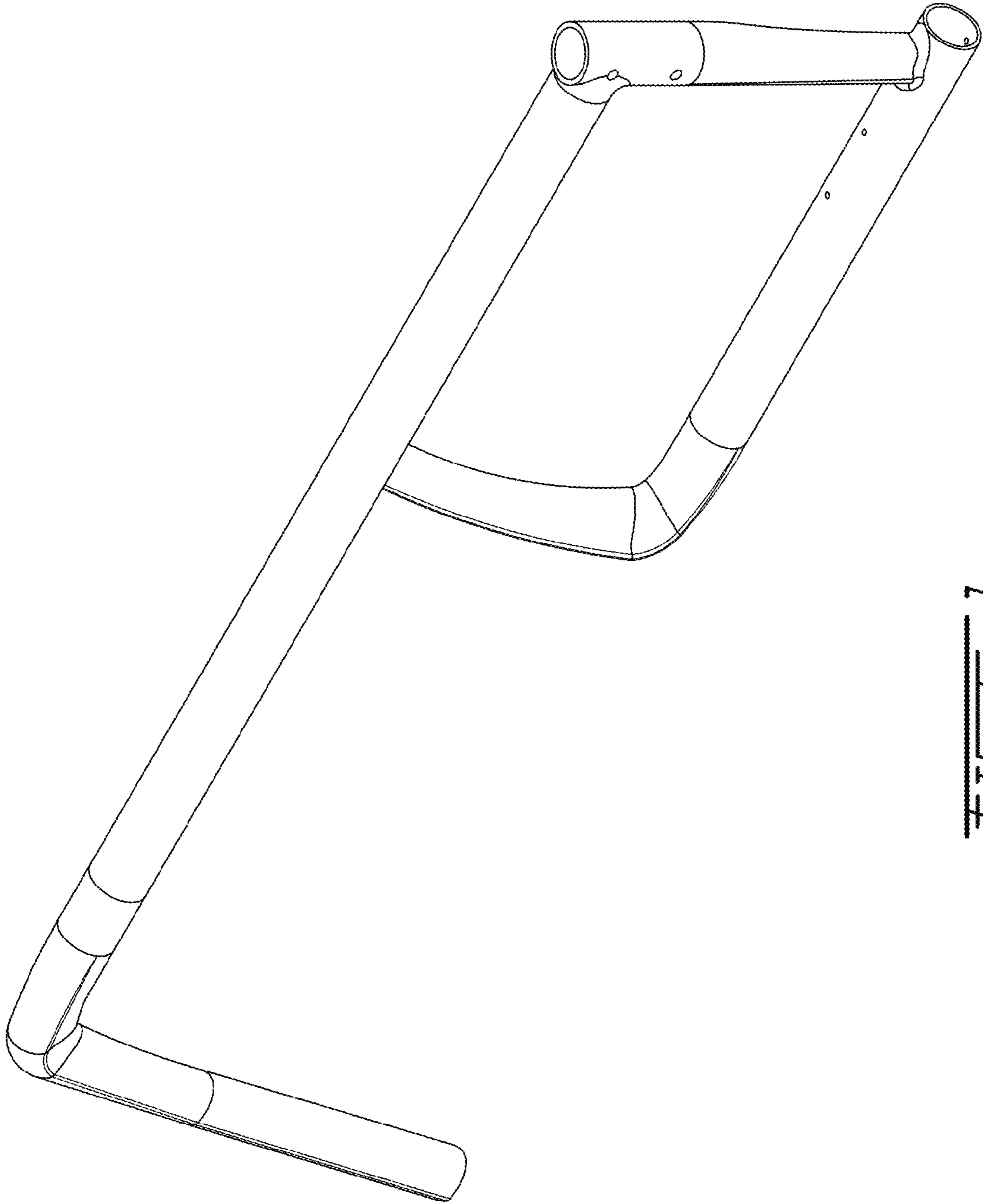


FIG. 1

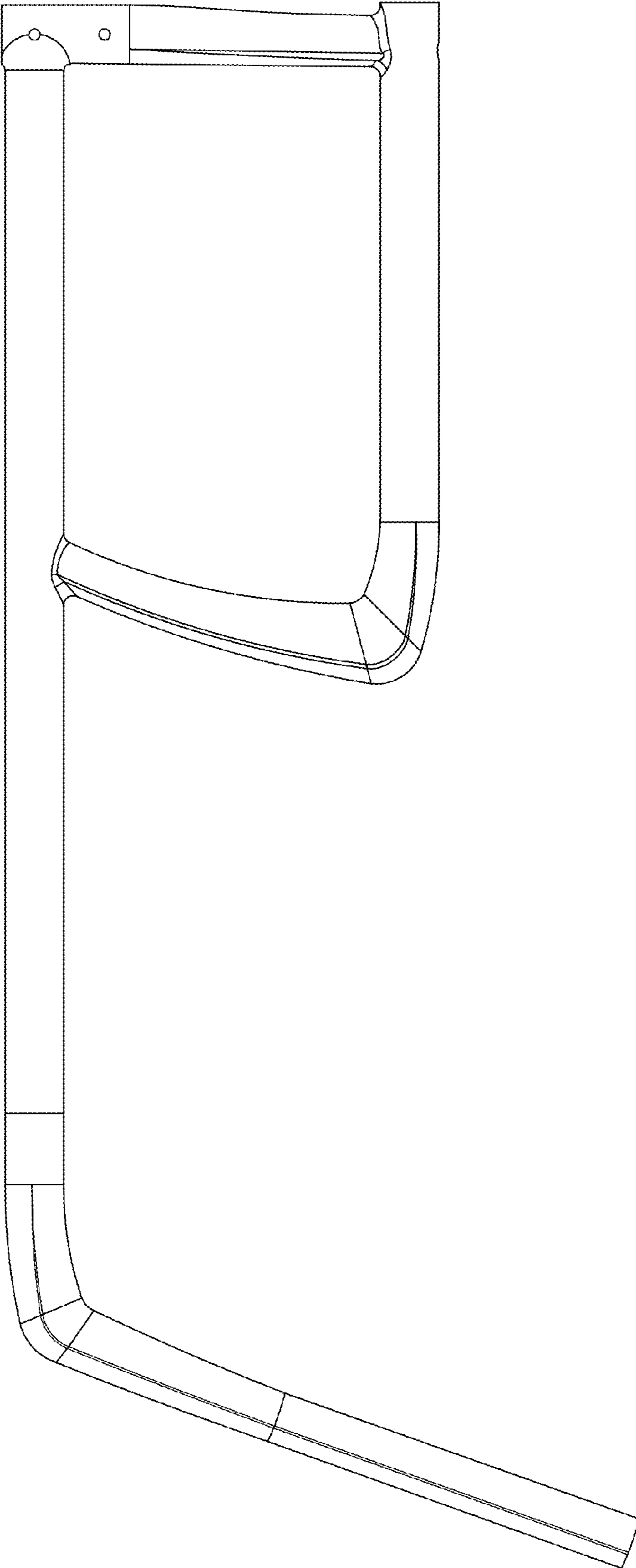
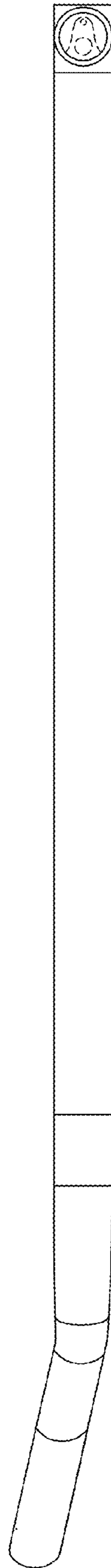


FIG. 2



**FIG. 3**



**FIG. 4**

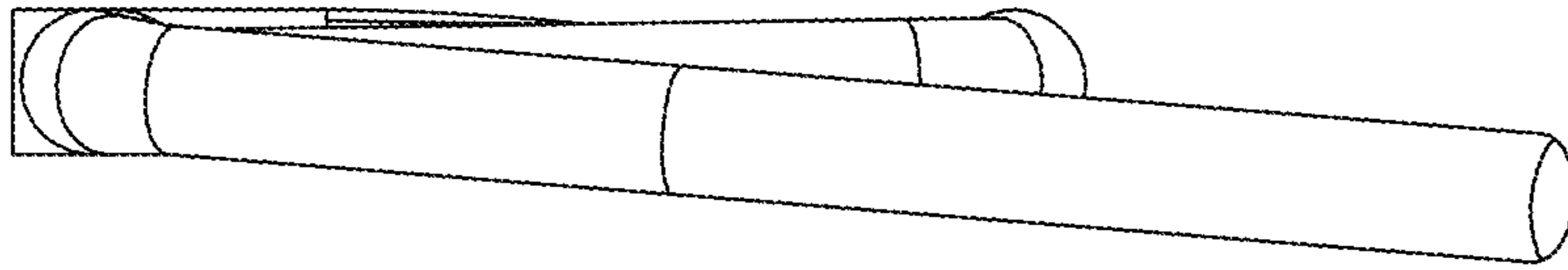


FIG. 4

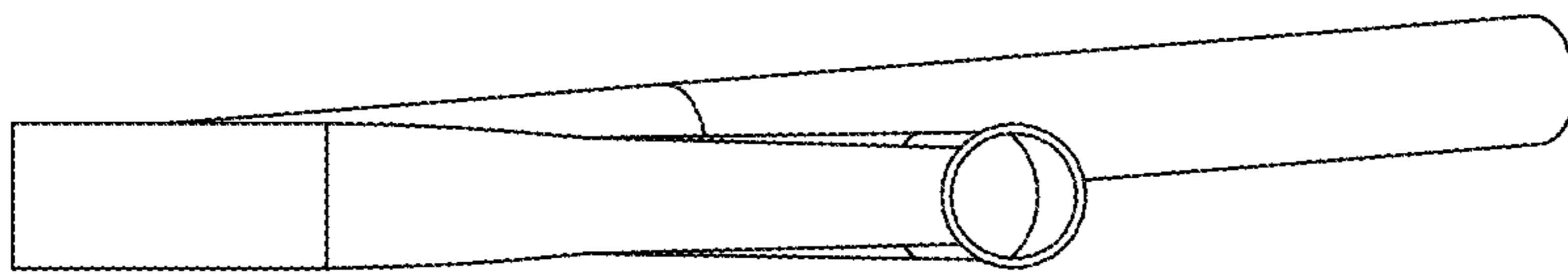


FIG. 5