



US00D731930S

(12) **United States Design Patent**
Forrellad

(10) **Patent No.:** **US D731,930 S**
(45) **Date of Patent:** **** Jun. 16, 2015**

(54) **CHASSIS FOR BICYCLES AND
MOTORCYCLES**

(71) Applicant: **VERTIGO MOTORS, S.L.**, Palau de
Plegamans (Barcelona) (ES)

(72) Inventor: **Joan Forrellad**, Palau de Plegamans
(ES)

(73) Assignee: **VERTIGO MOTORS, S.L.**, Palau de
Plegamans (Barcelona) (ES)

(**) Term: **14 Years**

(21) Appl. No.: **29/468,323**

(22) Filed: **Sep. 27, 2013**

(30) **Foreign Application Priority Data**

Mar. 27, 2013 (EM) 002210021-0001

(51) **LOC (10) Cl.** **12-11**

(52) **U.S. Cl.**
USPC **D12/110**

(58) **Field of Classification Search**
USPC 280/284, 281.1, 274, 288, 285, 283,
280/288.3, 282, 279, 220, 221, 288.2, 287,
280/278, 275, 288.4, 124.134, 276, 240,
280/256, 286, 265, 268, 271, 257, 210;
29/434, 428, 897.2; 474/116; D12/111,
D12/108, 124, 169, 113, 112; 156/173, 294;
224/425, 426, 419; 301/124.2;
180/227, 68.5, 220; D21/432, 419,
D21/663, 435, 662, 538; 74/594.3, 527;
16/44; 220/737

See application file for complete search history.

(56) **References Cited**

U.S. PATENT DOCUMENTS

D253,407	S	*	11/1979	Moore et al.	D12/112
D344,696	S	*	3/1994	Rowedder	D12/112
5,435,584	A	*	7/1995	Buell	280/284
D381,941	S	*	8/1997	Chan	D12/111
6,012,733	A	*	1/2000	Rafoth	280/281.1
6,648,353	B1	*	11/2003	Cabal	280/221
D512,663	S	*	12/2005	Nagle	D12/110
D535,588	S	*	1/2007	Moulton	D12/111
D563,284	S	*	3/2008	Camasmie	D12/112
D586,701	S	*	2/2009	Morris	D12/111
D586,702	S	*	2/2009	Morris	D12/111
D633,416	S	*	3/2011	Teal et al.	D12/111
D633,828	S	*	3/2011	Portnoff	D12/111
D643,784	S	*	8/2011	Zobel	D12/111
D688,599	S	*	8/2013	Silva	D12/111
8,585,070	B2	*	11/2013	Beale	280/284
D695,156	S	*	12/2013	Jessie et al.	D12/117
2013/0214508	A1	*	8/2013	Beale	280/285
2014/0305729	A1	*	10/2014	Testoni et al.	180/220
2015/0001828	A1	*	1/2015	Silva	280/259

* cited by examiner

Primary Examiner — Robert M Spear

Assistant Examiner — Ryan Harvey

(74) *Attorney, Agent, or Firm* — Dowell & Dowell, PC

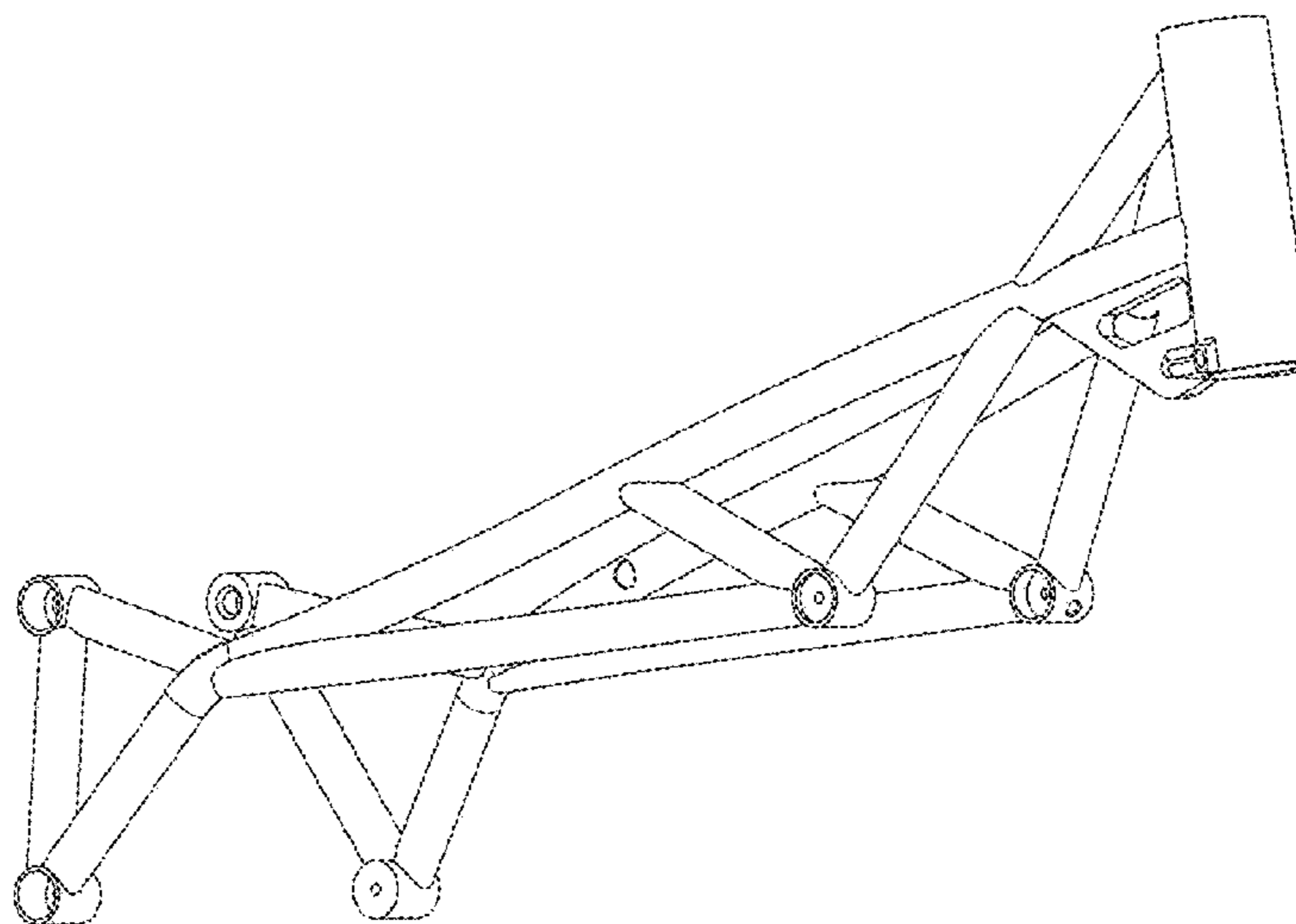
(57) **CLAIM**

The ornamental design for a chassis for bicycles and motorcycles, as shown and described.

DESCRIPTION

FIG. 1 is a front perspective view of a chassis for bicycles and motorcycles showing the new design; FIG. 2 is a right lateral view thereof; FIG. 3 is a front view thereof; FIG. 4 is a left lateral view thereof; FIG. 5 is a rear view thereof; FIG. 6 is a top view thereof; and, FIG. 7 is a bottom view thereof. The broken lines illustrate portions of the article that form no part of the claimed design.

1 Claim, 7 Drawing Sheets



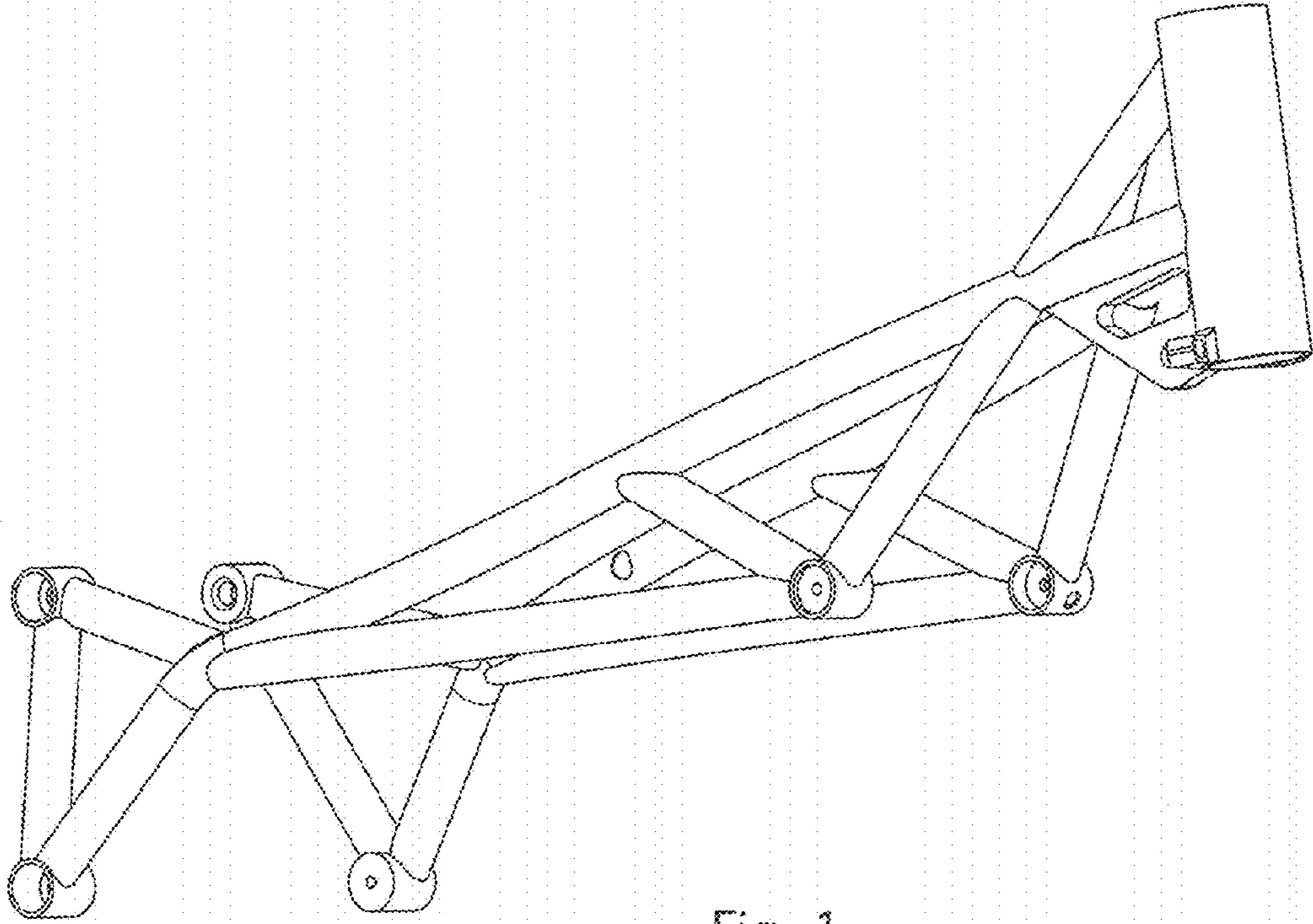


Fig. 1

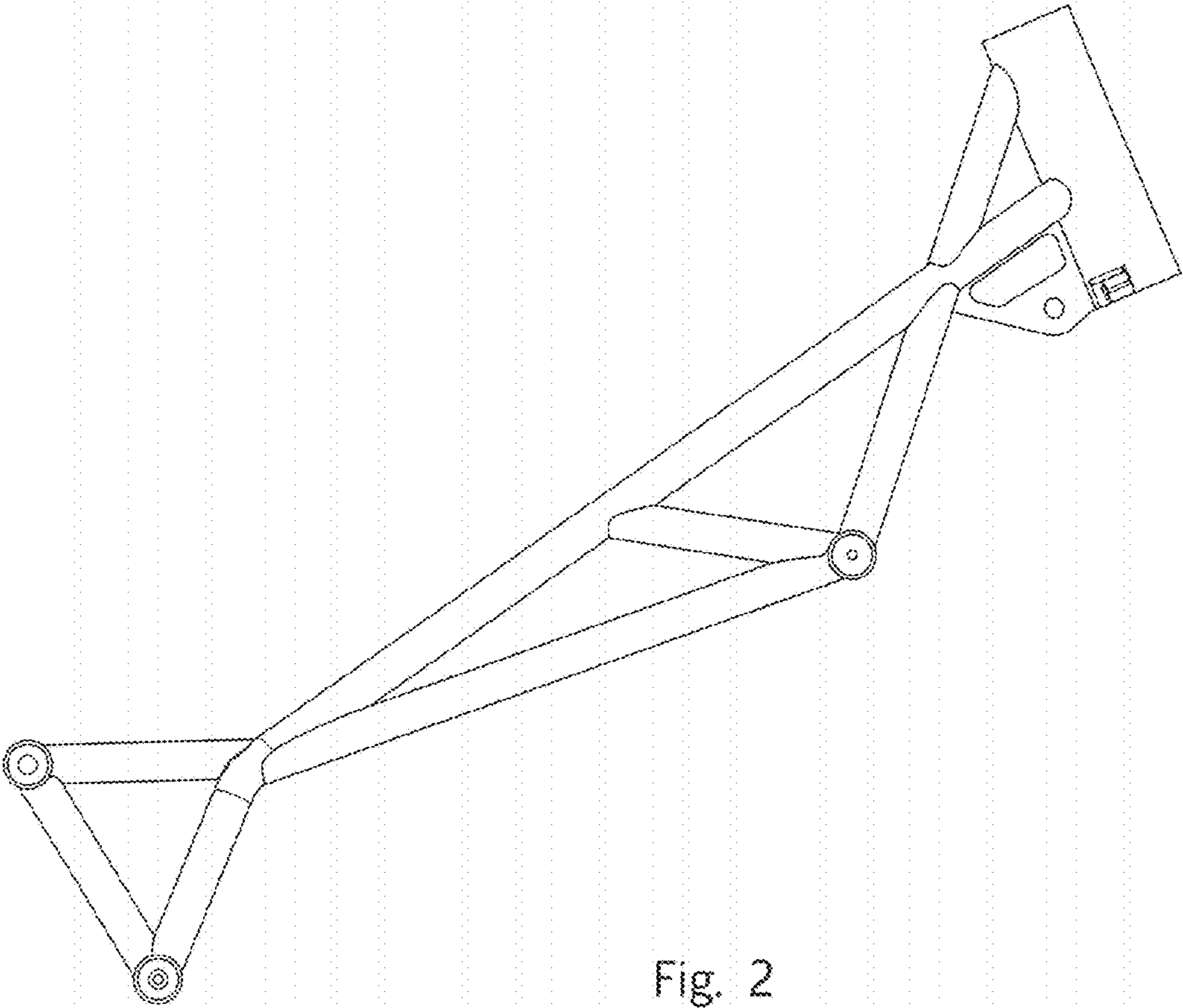


Fig. 2

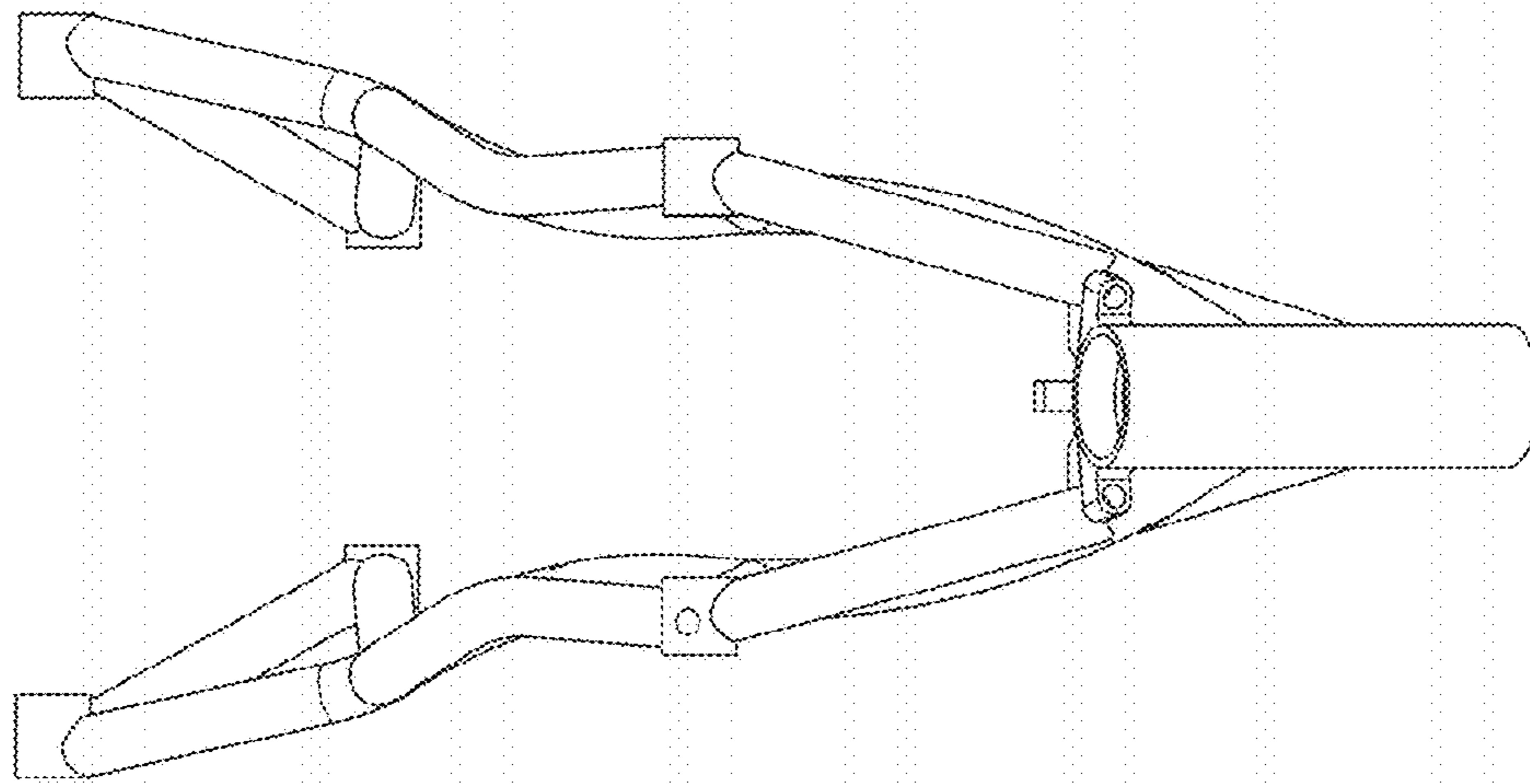


Fig. 3

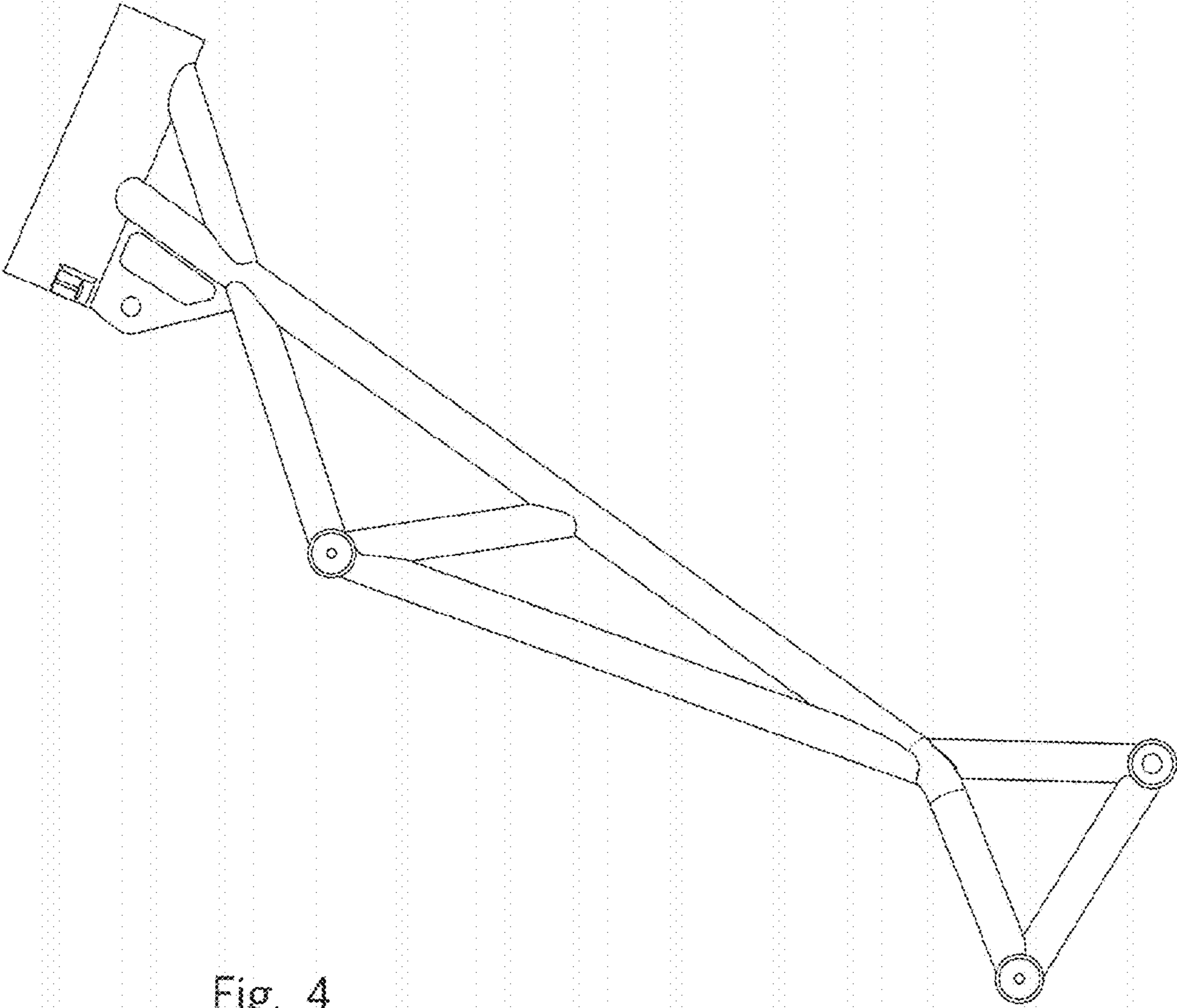


Fig. 4

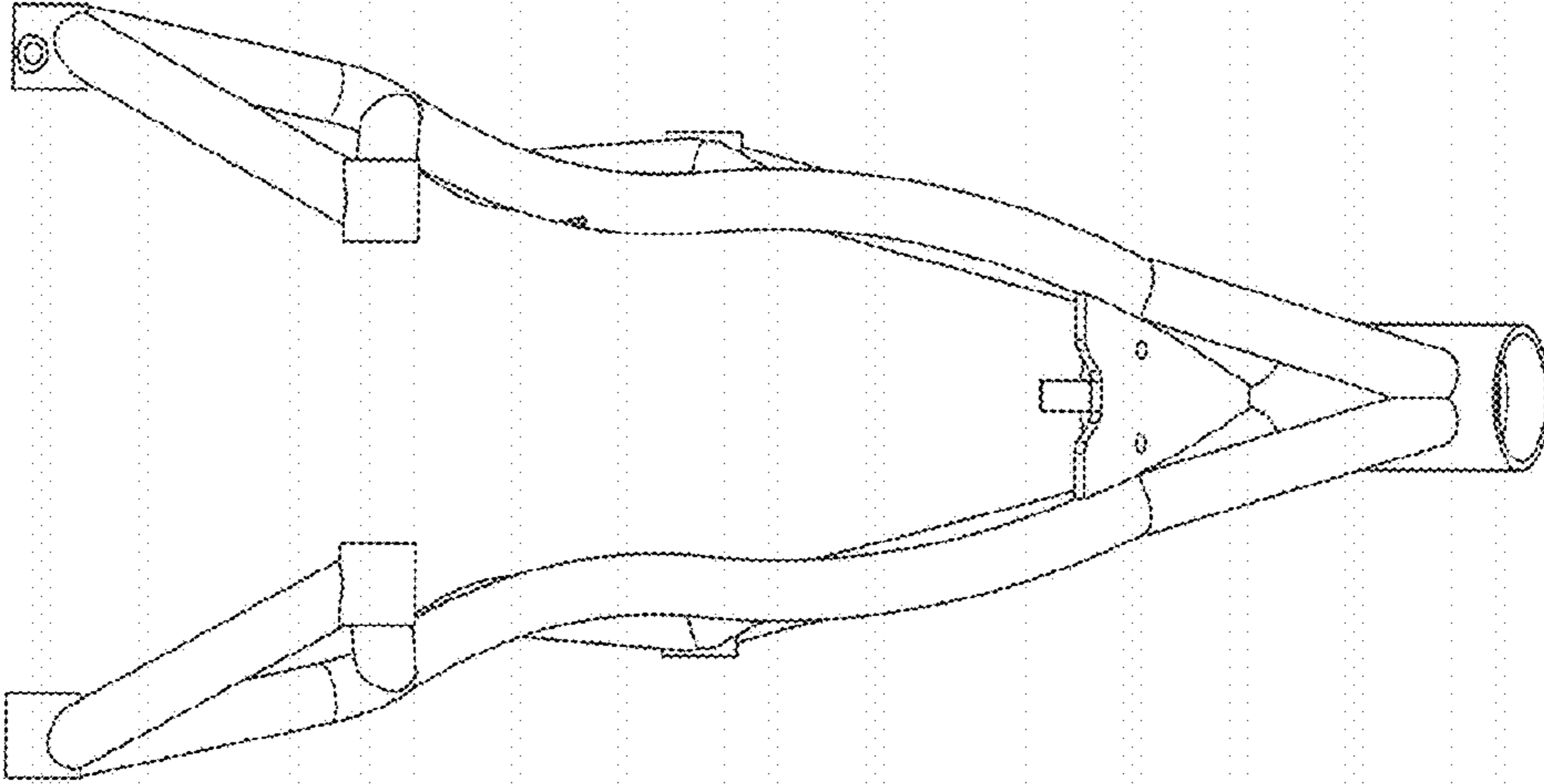


Fig. 5

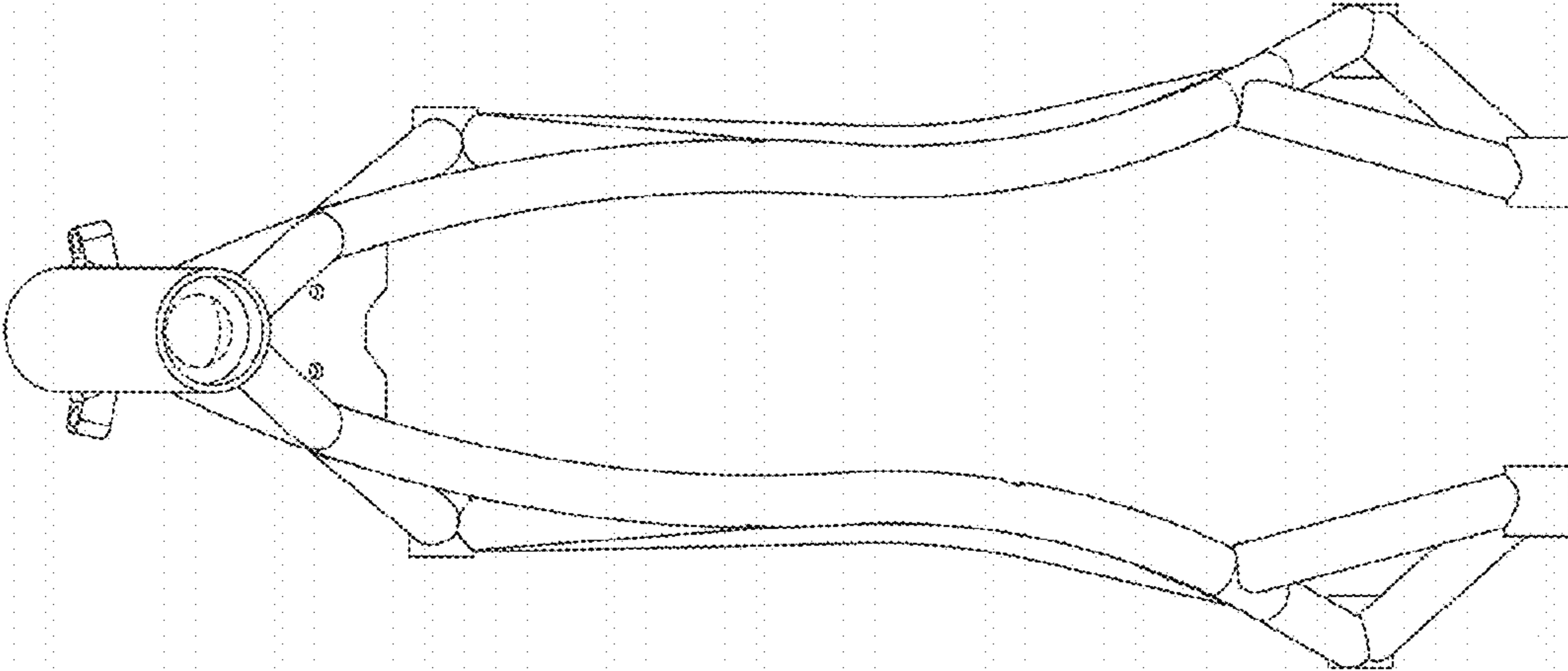


Fig. 6

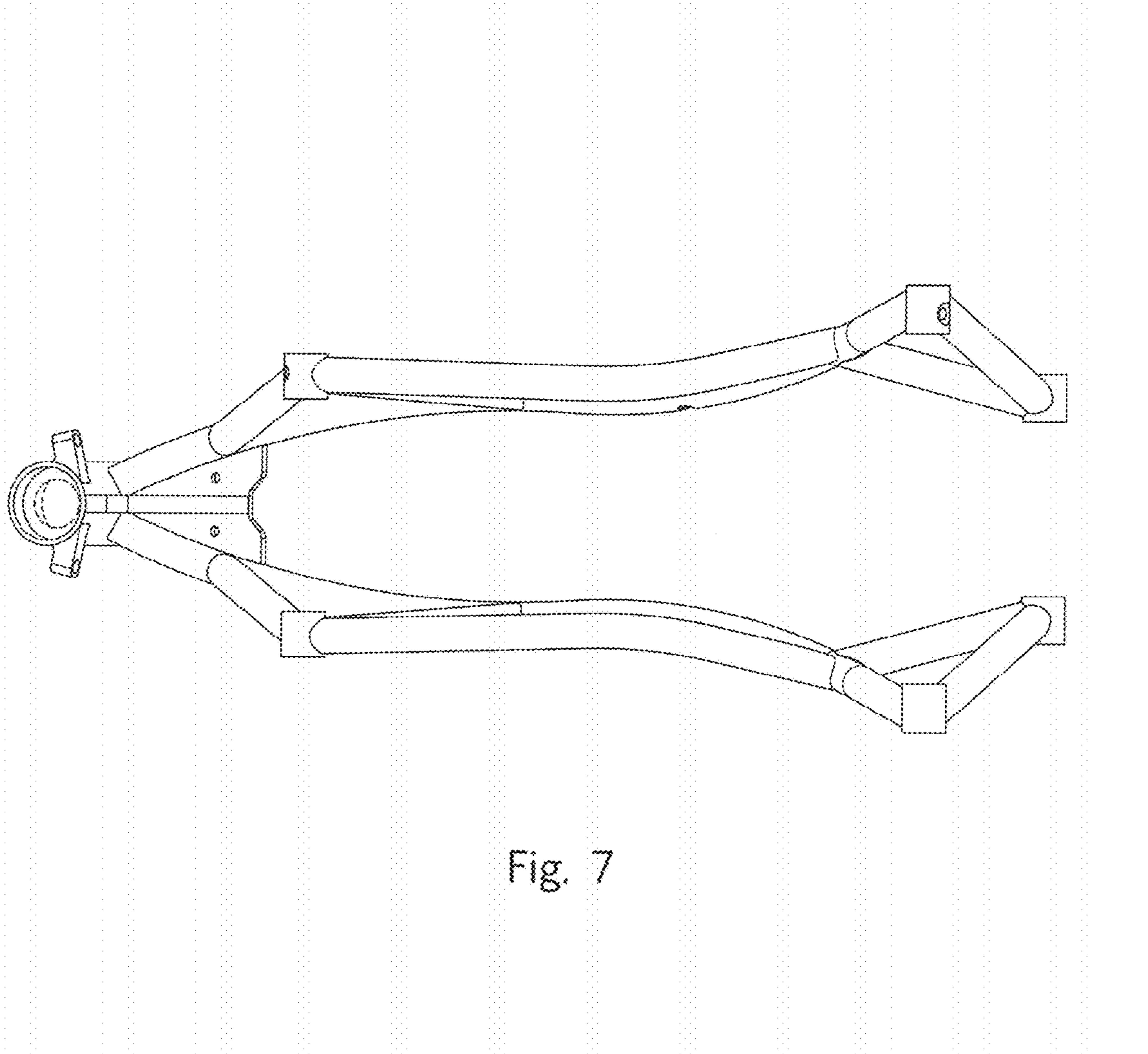


Fig. 7