

US00D731926S

(12) **United States Design Patent**
Kobayashi

(10) **Patent No.:** **US D731,926 S**
(45) **Date of Patent:** **** Jun. 16, 2015**

(54) **PASSENGER CAR**

(71) Applicant: **Fuji Jukogyo Kabushiki Kaisha**, Tokyo (JP)

(72) Inventor: **Hiroyuki Kobayashi**, Tokyo (JP)

(73) Assignee: **Fuji Jukogyo Kabushiki Kaisha**, Tokyo (JP)

(**) Term: **14 Years**

(21) Appl. No.: **29/489,036**

(22) Filed: **Apr. 25, 2014**

(30) **Foreign Application Priority Data**

Oct. 25, 2013 (JP) 2013-024866

(51) **LOC (10) Cl.** **12-08**

(52) **U.S. Cl.**
USPC **D12/92**

(58) **Field of Classification Search**
USPC D12/86, 90-92, 88; D21/421, 433, 434;
296/181.1, 181.5
CPC B62D 35/00; B62D 25/00; B62D 25/06;
B62D 25/08; B62D 33/00

See application file for complete search history.

(56) **References Cited**

U.S. PATENT DOCUMENTS

D646,205 S *	10/2011	Bittner et al.	D12/92
D668,182 S *	10/2012	Barba Franco et al.	D12/92
D683,269 S *	5/2013	Fuchigami et al.	D12/92
D684,900 S *	6/2013	Doyle et al.	D12/92
D686,536 S *	7/2013	McCabe et al.	D12/92
D699,630 S *	2/2014	Abe et al.	D12/92
D718,662 S *	12/2014	Ishizuka et al.	D12/92
D718,666 S *	12/2014	Hammoud et al.	D12/92

* cited by examiner

Primary Examiner — Melody N Brown

(74) *Attorney, Agent, or Firm* — Schiff Hardin LLP

(57) **CLAIM**

The ornamental design for a passenger car, as shown and described.

DESCRIPTION

FIG. 1 is a front perspective view for a “passenger car” showing my new design,
FIG. 2 is a rear perspective view thereof,
FIG. 3 is a left-side view thereof,
FIG. 4 is a right-side view thereof,
FIG. 5 is a front view thereof,
FIG. 6 is a rear view thereof, and,
FIG. 7 is a top view thereof.

1 Claim, 7 Drawing Sheets



Fig. 1



Fig. 2

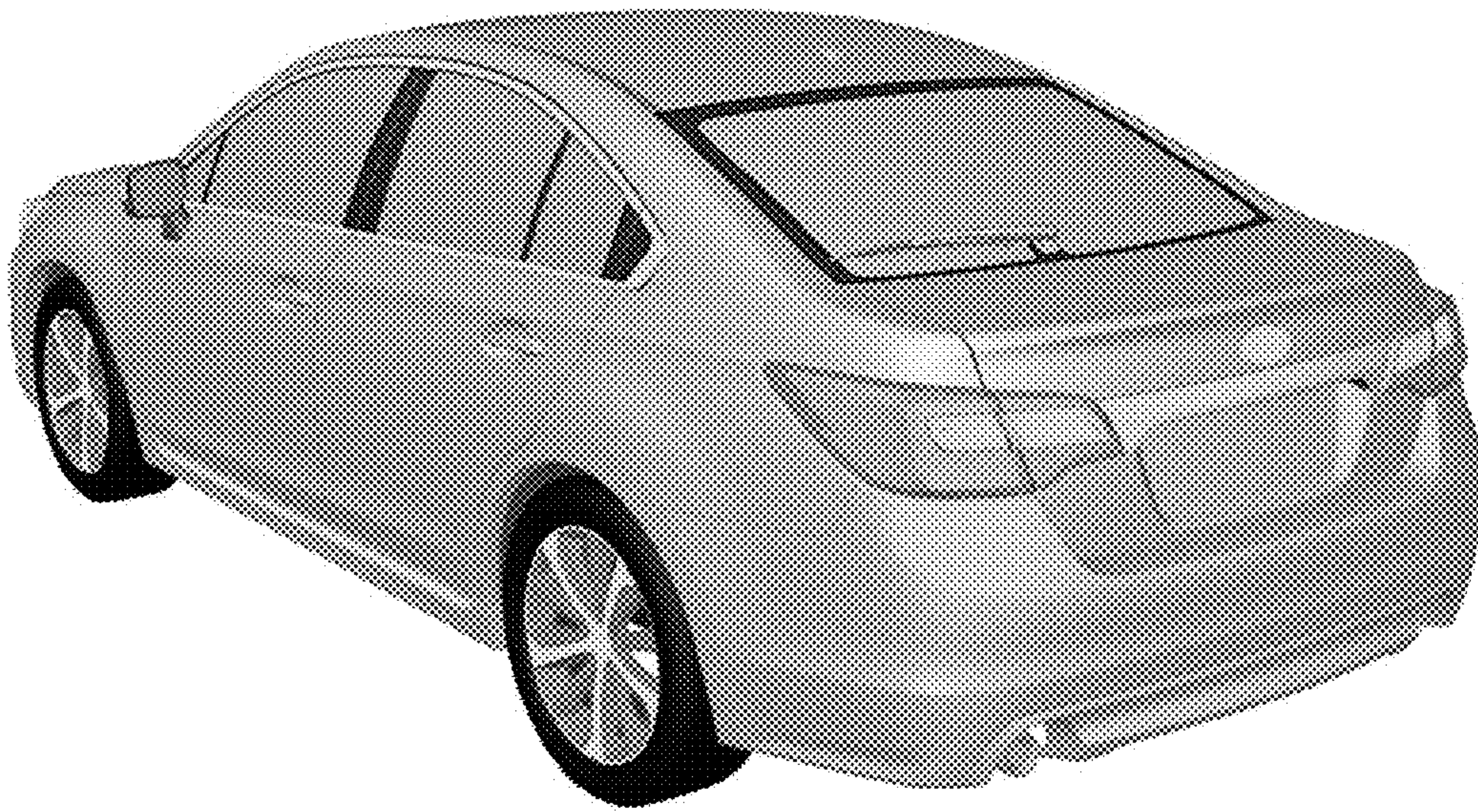


Fig. 3

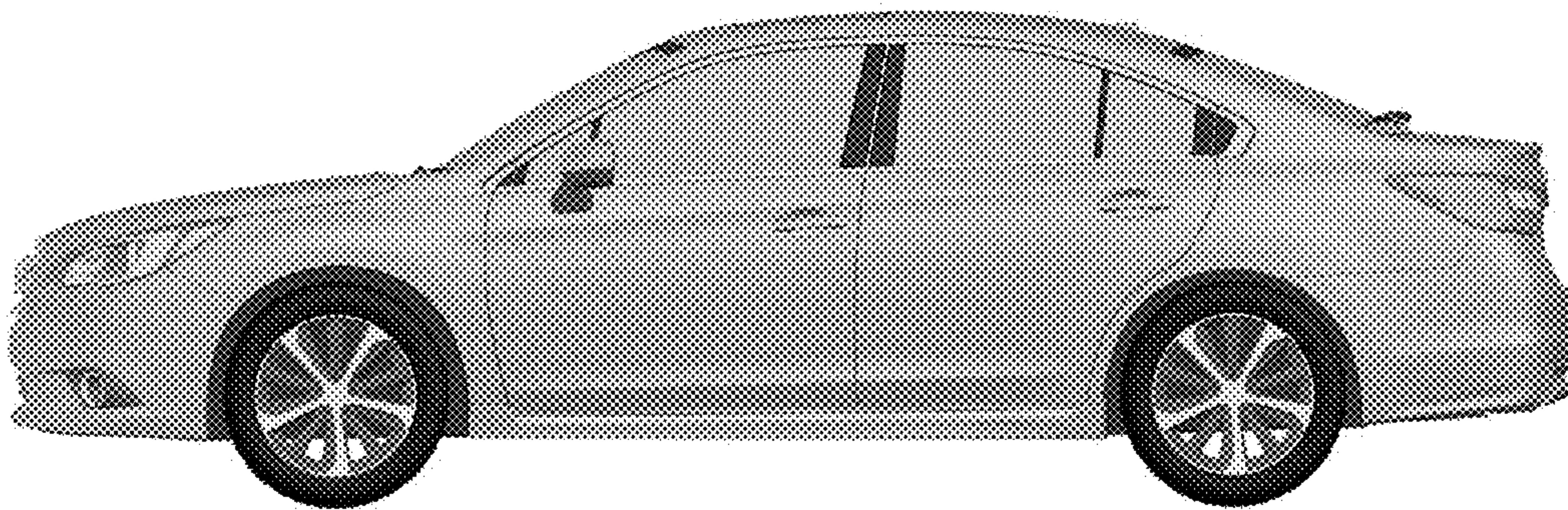


Fig. 4

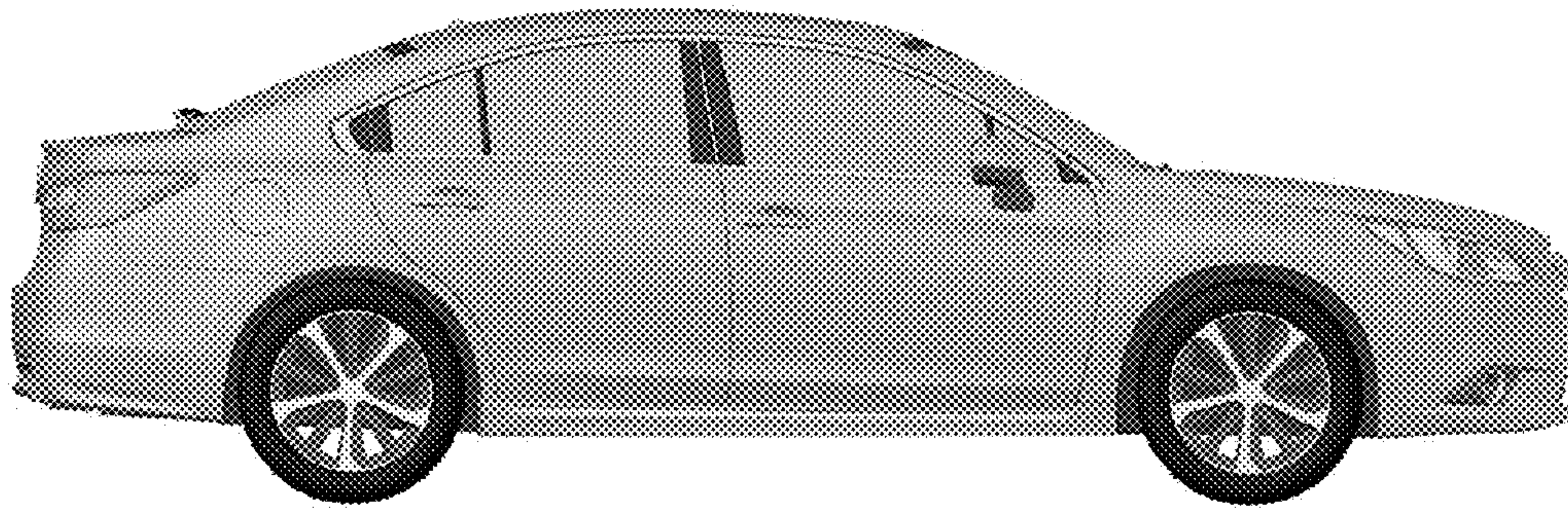


Fig. 5



Fig. 6

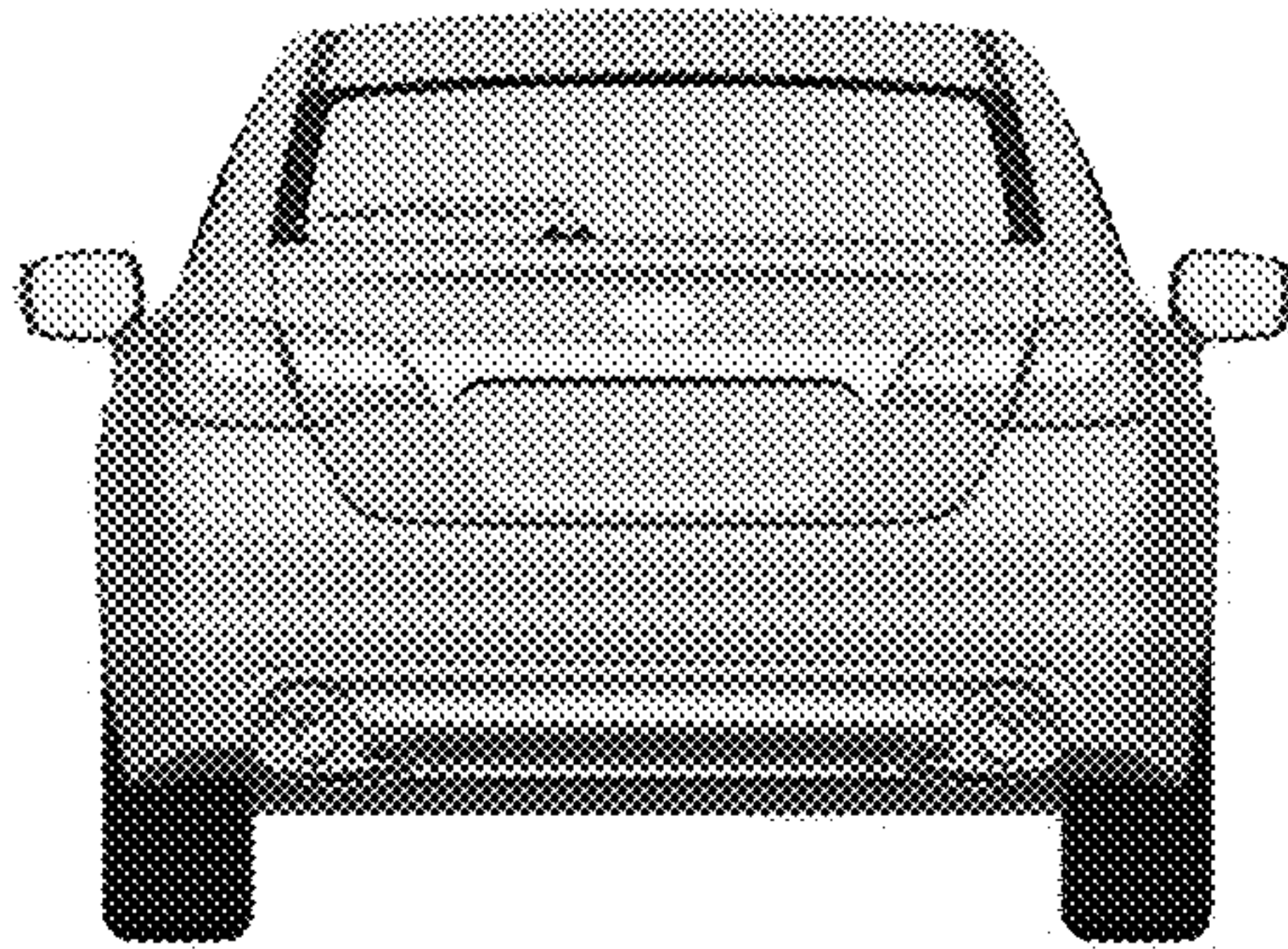


Fig. 7

