



US00D731924S

(12) **United States Design Patent**  
**Lian et al.**

(10) **Patent No.:** **US D731,924 S**  
(45) **Date of Patent:** **\*\* Jun. 16, 2015**

(54) **CAR**  
(71) Applicant: **BYD COMPANY LIMITED**,  
Shenzhen, Guangdong (CN)  
(72) Inventors: **Yubo Lian**, Shenzhen (CN); **Xiaoming Zhong**, Shenzhen (CN); **Wenxi Zhu**, Shenzhen (CN); **Changshu Shangguan**, Shenzhen (CN); **Binggen Zhao**, Shenzhen (CN)  
(73) Assignee: **BYD Company Limited**, Shenzhen, Guangdong (CN)

D584,658 S \* 1/2009 Minami ..... D12/91  
D602,399 S \* 10/2009 Sakae et al. .... D12/91  
D626,885 S \* 11/2010 Bischoff et al. .... D12/91  
D630,132 S \* 1/2011 Jang ..... D12/91  
D647,003 S \* 10/2011 Kim ..... D12/91  
D647,821 S \* 11/2011 Bischoff et al. .... D12/91  
D670,606 S \* 11/2012 Frenzel et al. .... D12/91  
D672,688 S \* 12/2012 Kubota et al. .... D12/91  
D684,092 S \* 6/2013 Lee ..... D12/91  
D689,399 S \* 9/2013 Kim et al. .... D12/91  
D718,187 S \* 11/2014 Hou et al. .... D12/91  
D719,486 S \* 12/2014 Murakami et al. .... D12/91  
D719,487 S \* 12/2014 Asai et al. .... D12/91  
D719,875 S \* 12/2014 Jang ..... D12/91  
D720,257 S \* 12/2014 Suga et al. .... D12/91

\* cited by examiner

(\*\*) Term: **14 Years**

*Primary Examiner* — Melody N Brown

(21) Appl. No.: **29/499,827**

(74) *Attorney, Agent, or Firm* — Finnegan, Henderson, Farabow, Garrett & Dunner, LLP

(22) Filed: **Aug. 19, 2014**

(30) **Foreign Application Priority Data**

(57) **CLAIM**

The ornamental design for a car, as shown and described.

Feb. 21, 2014 (CN) ..... 2014 3 0031473

**DESCRIPTION**

(51) **LOC (10) Cl.** ..... **12-08**

(52) **U.S. Cl.**  
USPC ..... **D12/91**

(58) **Field of Classification Search**  
USPC ..... D12/86, 90–92; D21/421, 433, 434;  
296/181.1, 181.5

CPC ..... B62D 35/00; B62D 25/00; B62D 25/06;  
B62D 25/08; B62D 33/00

See application file for complete search history.

FIG. 1 is an enlarged front, left-side perspective view of a car showing our new design;  
FIG. 2 is an enlarged rear, left-side perspective view thereof;  
FIG. 3 is a front elevation view thereof;  
FIG. 4 is a rear elevation view thereof;  
FIG. 5 is a right-side elevation view thereof;  
FIG. 6 is a left-side elevation view thereof; and,  
FIG. 7 is a top plan view thereof.

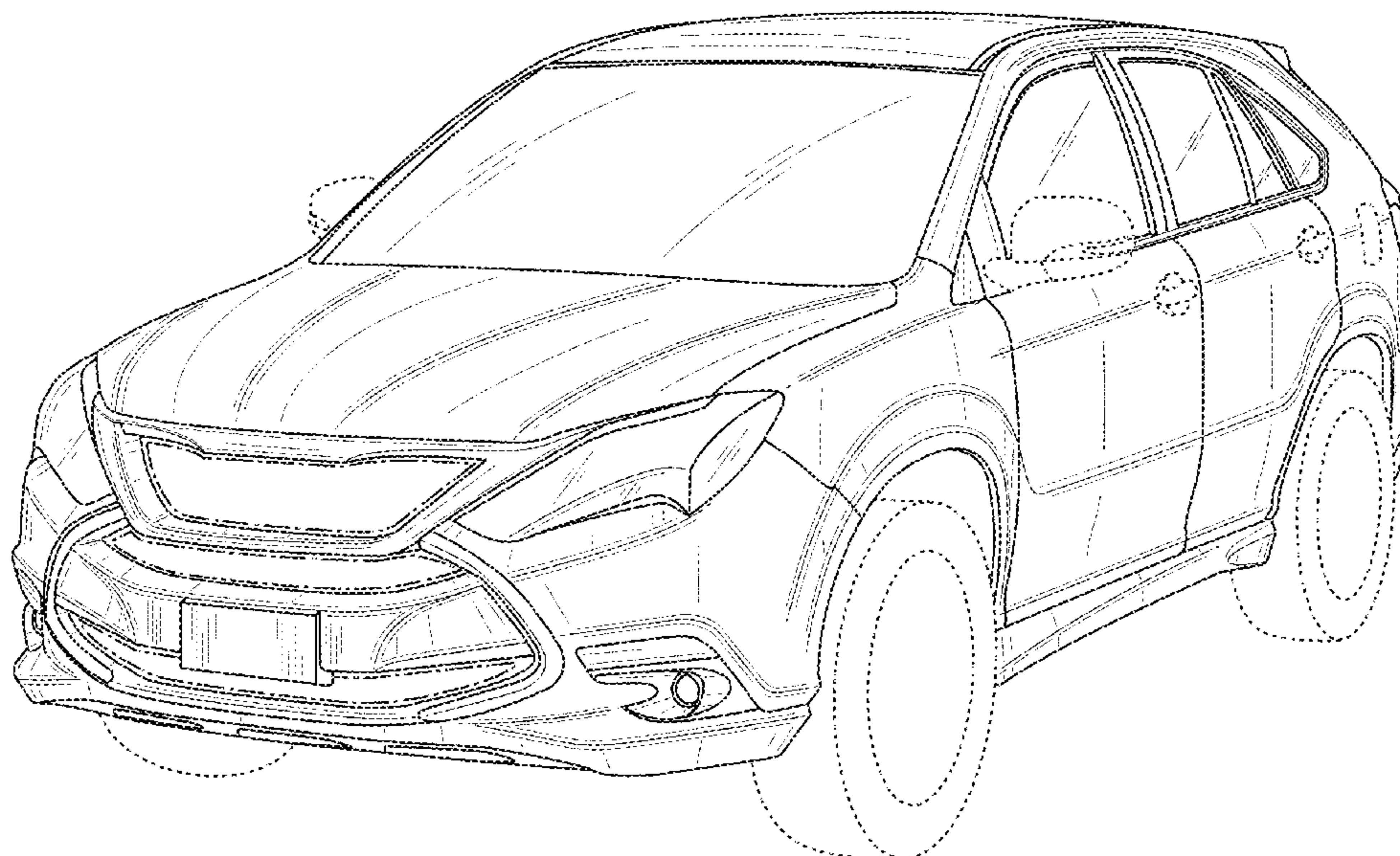
The bottom view of the car is not visible during ordinary use and forms no part of the claimed design. The broken lines of uneven length define the boundary of the claimed design. The broken lines of even length shown in the drawings illustrate portions of the car that form no part of the claimed design.

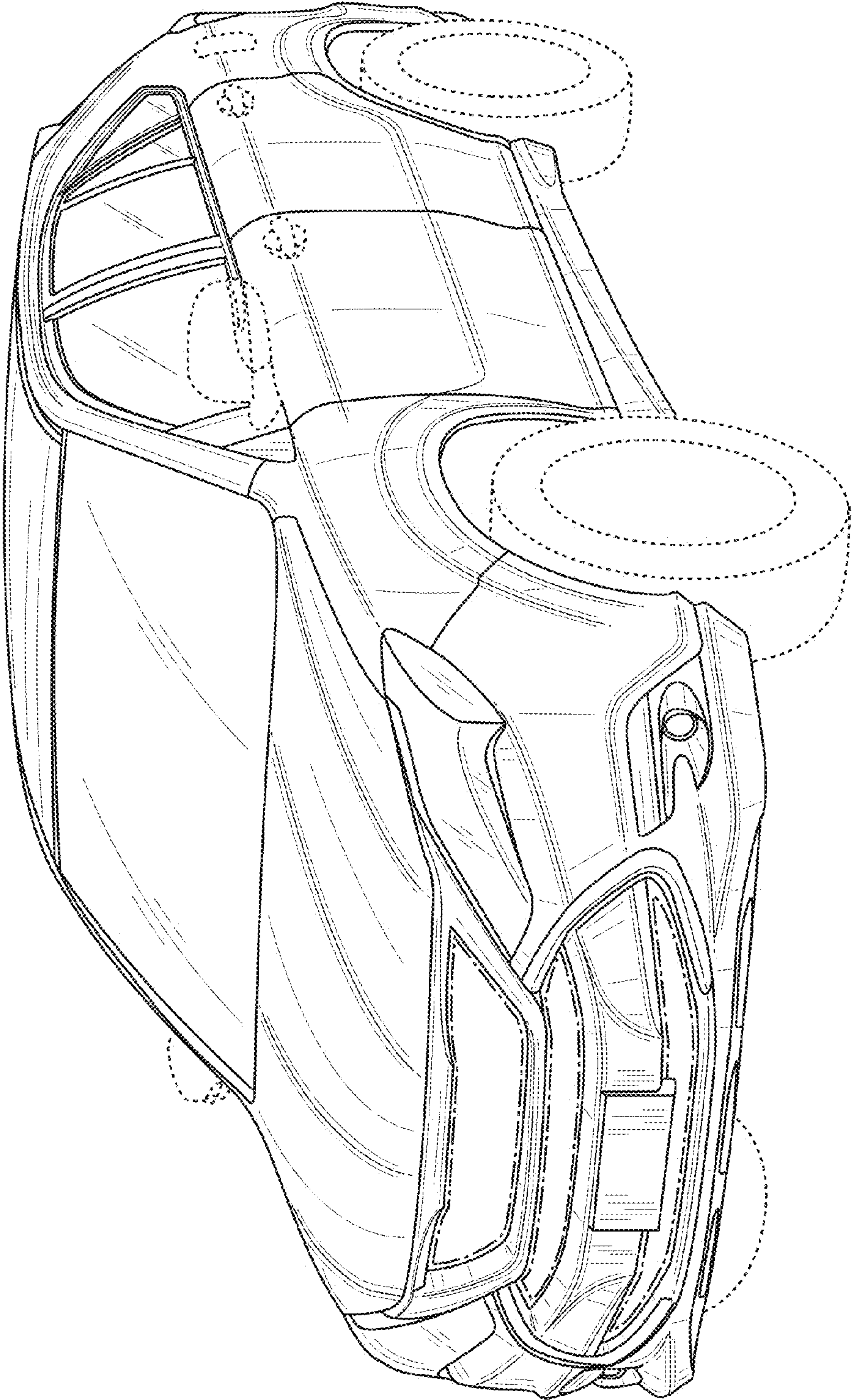
(56) **References Cited**

**U.S. PATENT DOCUMENTS**

D512,000 S \* 11/2005 Suzuki et al. .... D12/91  
D544,404 S \* 6/2007 Pfeiffer ..... D12/91

**1 Claim, 6 Drawing Sheets**





**FIG. 1**



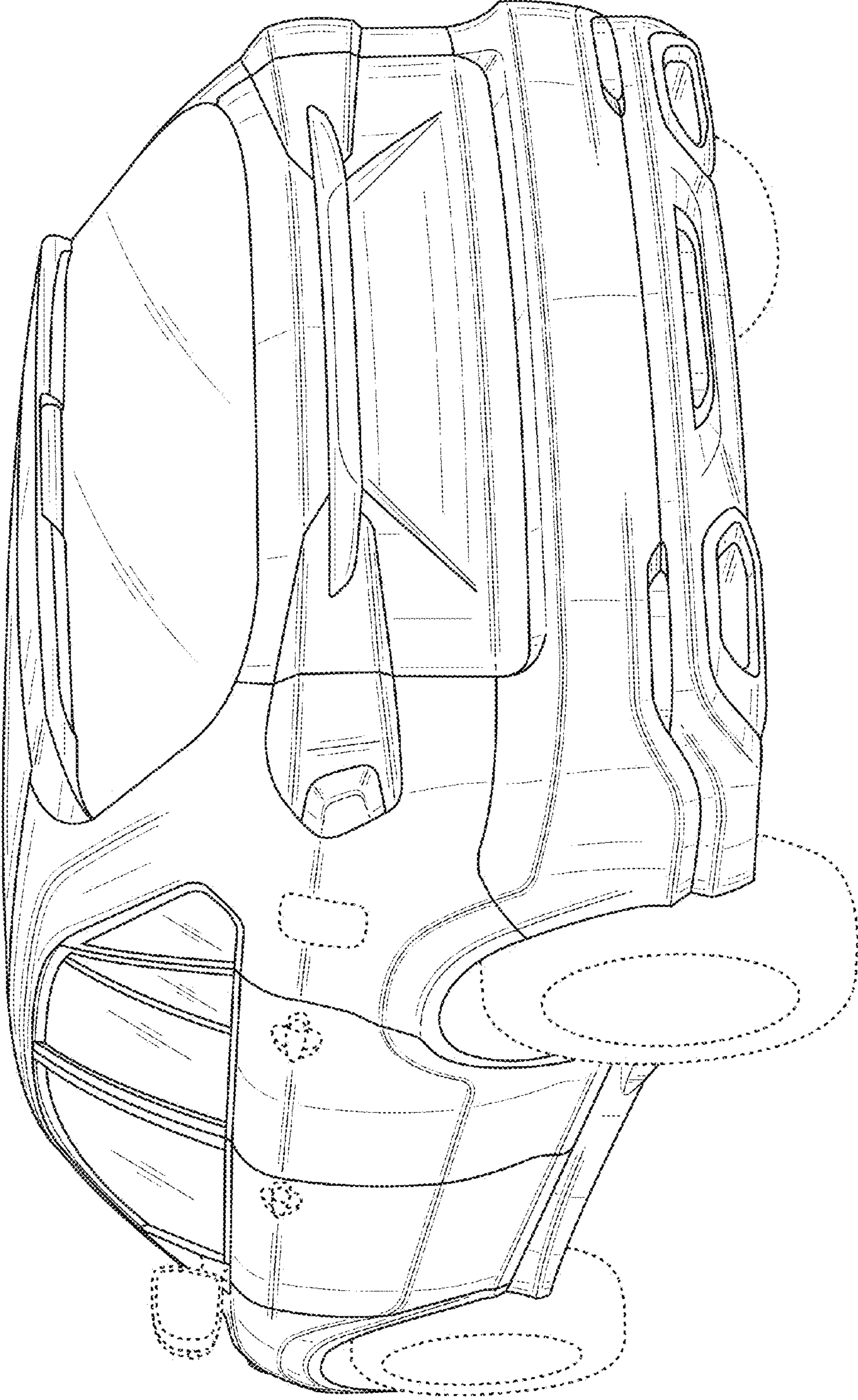
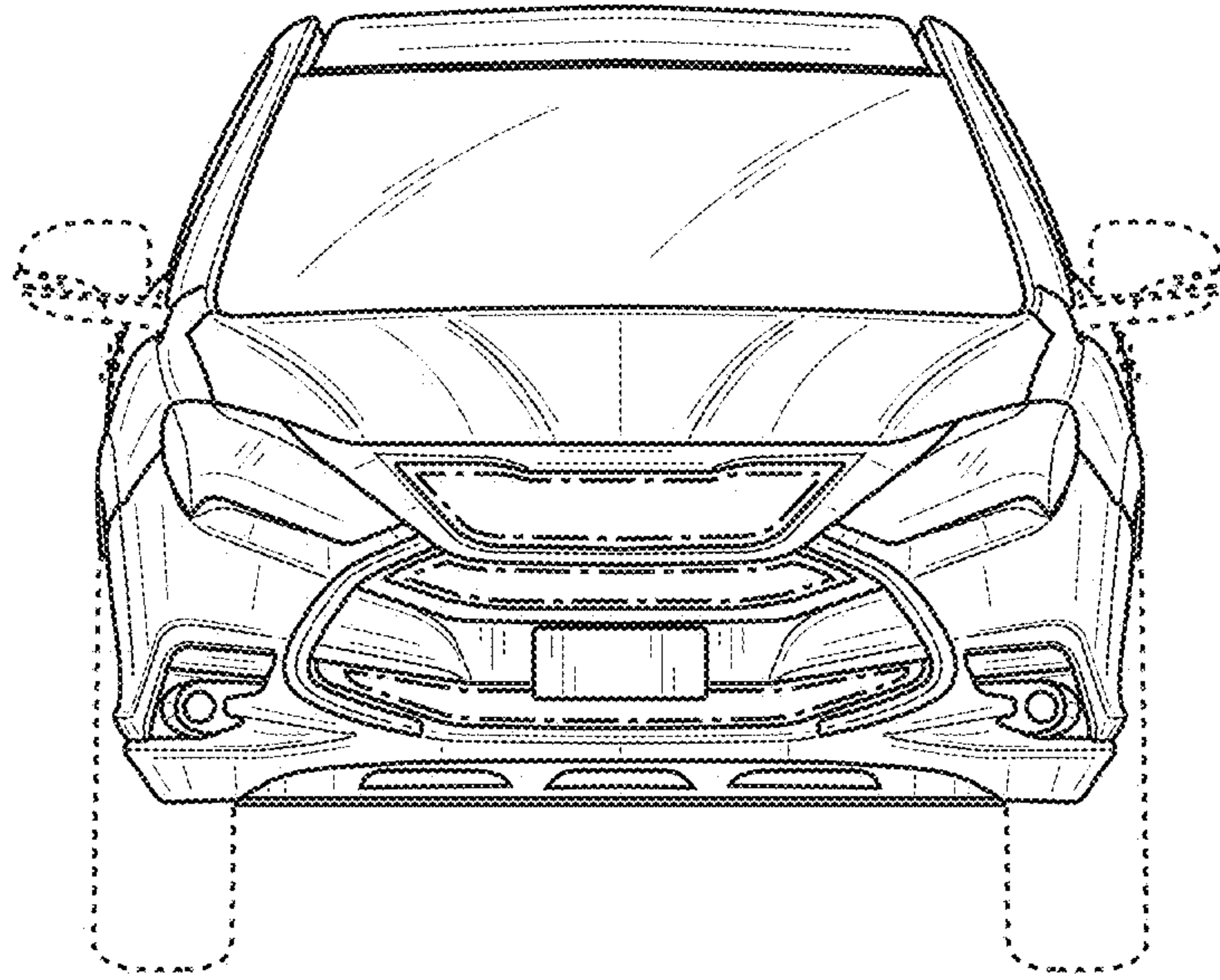
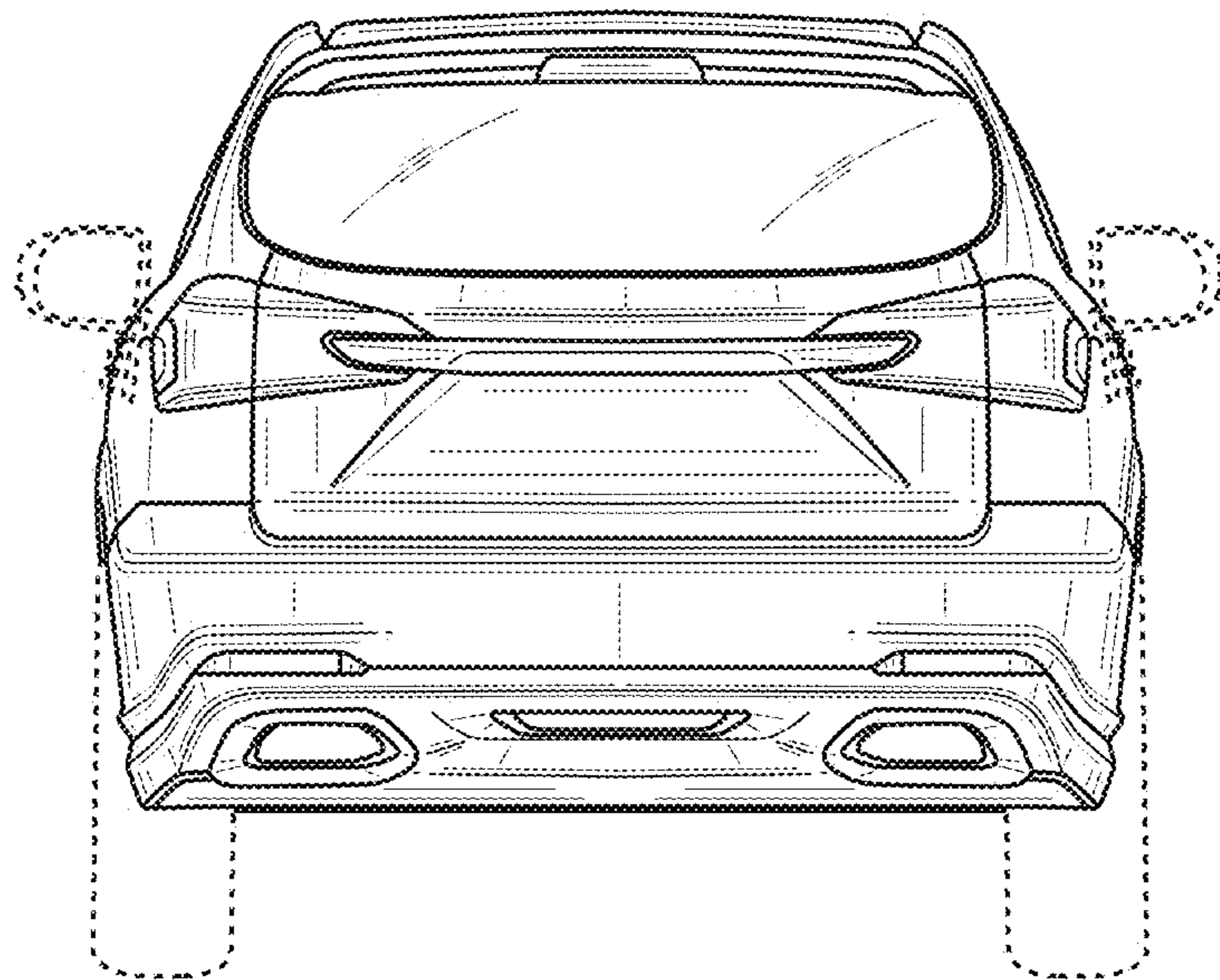


FIG. 2



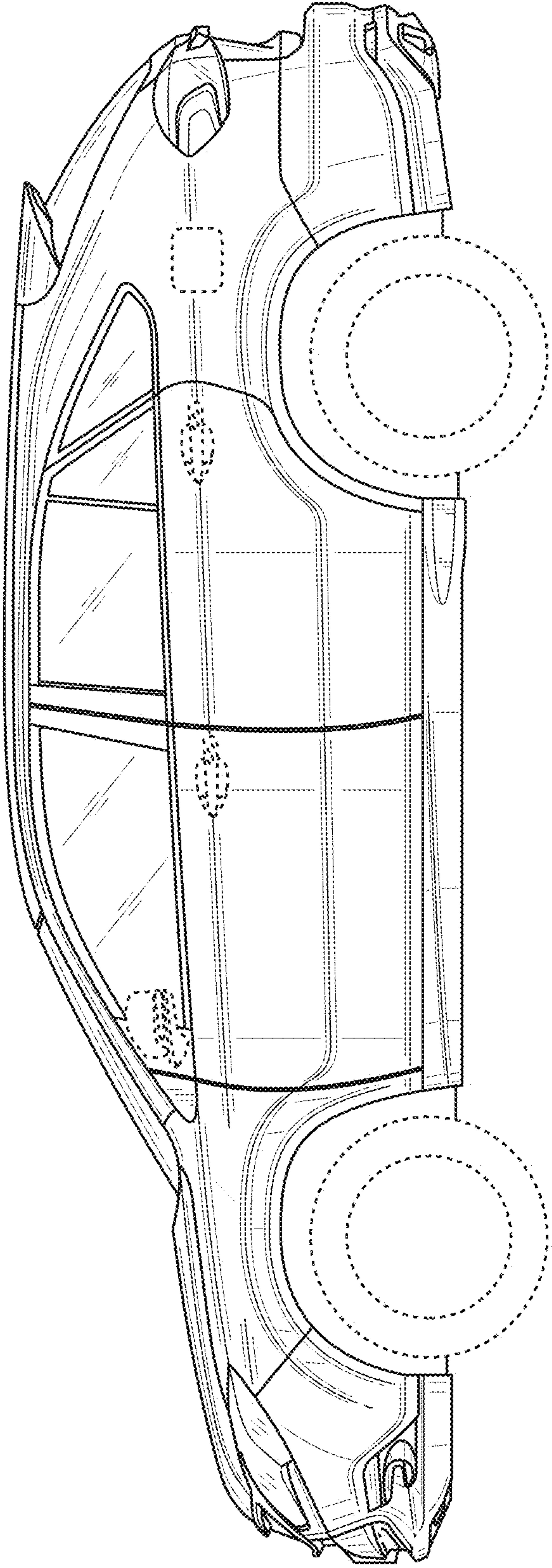
**FIG. 3**



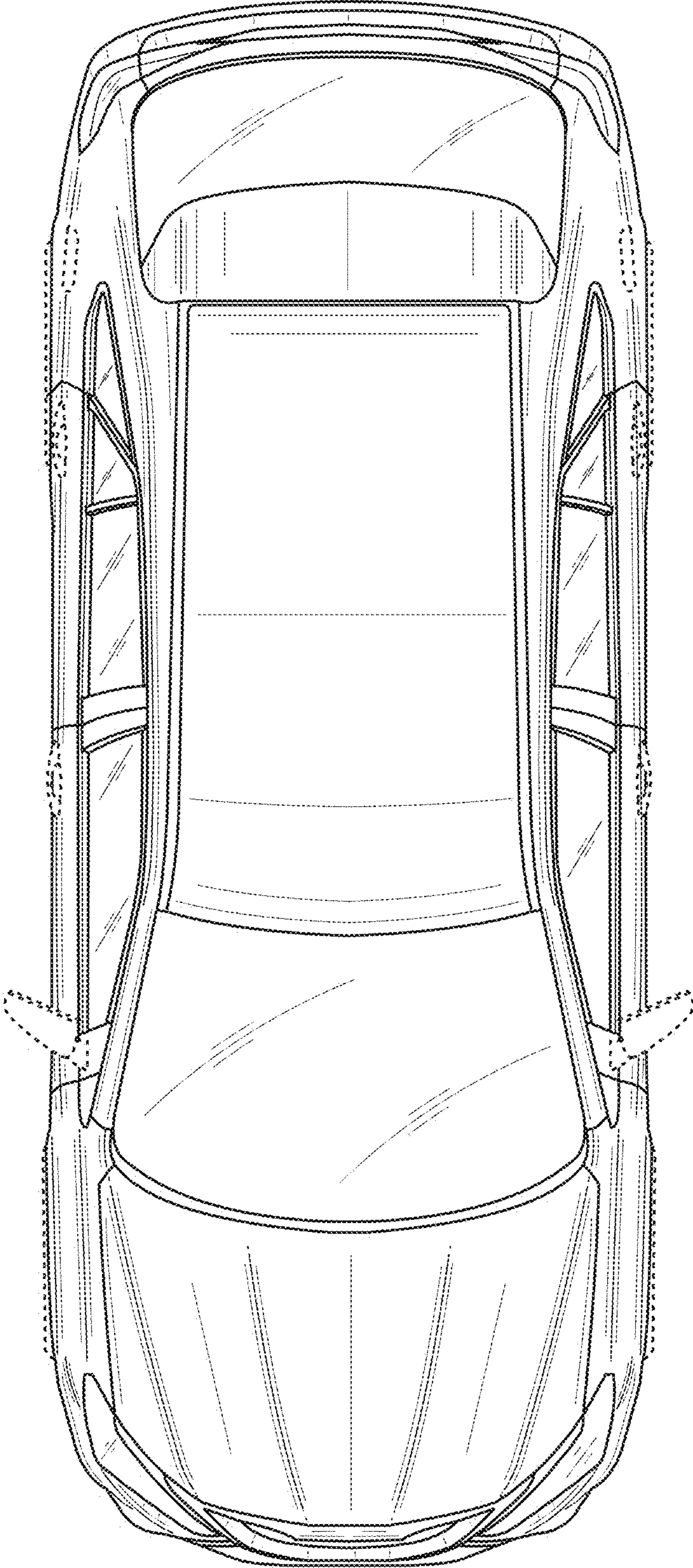
**FIG. 4**







**FIG. 6**



**FIG. 7**