



US00D731919S

(12) **United States Design Patent**  
**Kung**

(10) **Patent No.:** **US D731,919 S**  
(45) **Date of Patent:** **\*\* Jun. 16, 2015**

(54) **BELT ADJUSTING RING**  
(71) Applicant: **Merrimack River Precision Industrial Corporation, Taipei (TW)**  
(72) Inventor: **Tsung-Ming Kung, Taipei (TW)**  
(73) Assignee: **Merrimack River Precision Industrial Corporation, Taipei (TW)**

(\*\*) Term: **14 Years**

(21) Appl. No.: **29/488,396**

(22) Filed: **Apr. 18, 2014**

(51) **LOC (10) Cl.** ..... **02-07**

(52) **U.S. Cl.**  
USPC ..... **D11/218**

(58) **Field of Classification Search**  
USPC ..... D11/1-2, 200-201, 206-210, 214-218;  
24/163 R, 169-171, 173, 177-179, 191,  
24/194-195, 197, 200, 614-616, 625,  
24/198; D8/356  
CPC ..... A44B 11/00; A44B 11/02; A44B 11/25;  
A44B 17/00; A44B 21/00; A41F 19/00;  
A41F 9/00

See application file for complete search history.

(56) **References Cited**  
U.S. PATENT DOCUMENTS  
D352,254 S \* 11/1994 Prosser ..... D11/218  
D610,946 S \* 3/2010 Harada ..... D11/218  
D649,907 S \* 12/2011 Kataguchi ..... D11/218  
D650,720 S \* 12/2011 Park ..... D11/218  
D702,151 S \* 4/2014 Kaneko et al. .... D11/218  
D703,100 S \* 4/2014 Saitsu ..... D11/218

\* cited by examiner

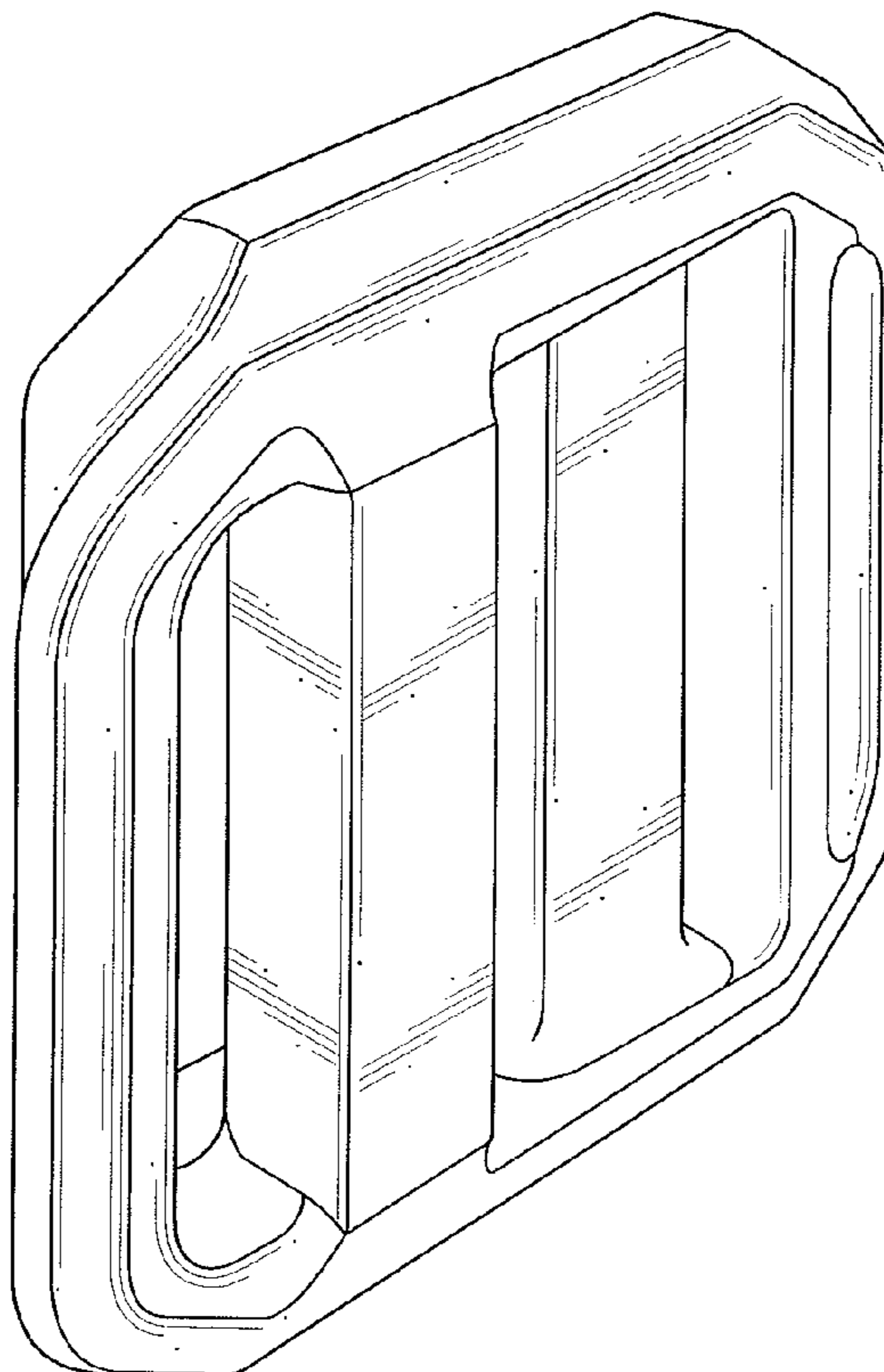
*Primary Examiner* — Ralf Seifert  
(74) *Attorney, Agent, or Firm* — Alan D. Kamrath; Kamrath IP Lawfirm, P.A.

(57) **CLAIM**  
The ornamental design for a belt adjusting ring, as shown.

**DESCRIPTION**

FIG. 1 is a perspective view of a belt adjusting ring showing my new design;  
FIG. 2 is a front view thereof;  
FIG. 3 is a rear view thereof;  
FIG. 4 is a left side view thereof;  
FIG. 5 is a right side view thereof;  
FIG. 6 is a top view thereof; and,  
FIG. 7 is a bottom view thereof.

**1 Claim, 5 Drawing Sheets**



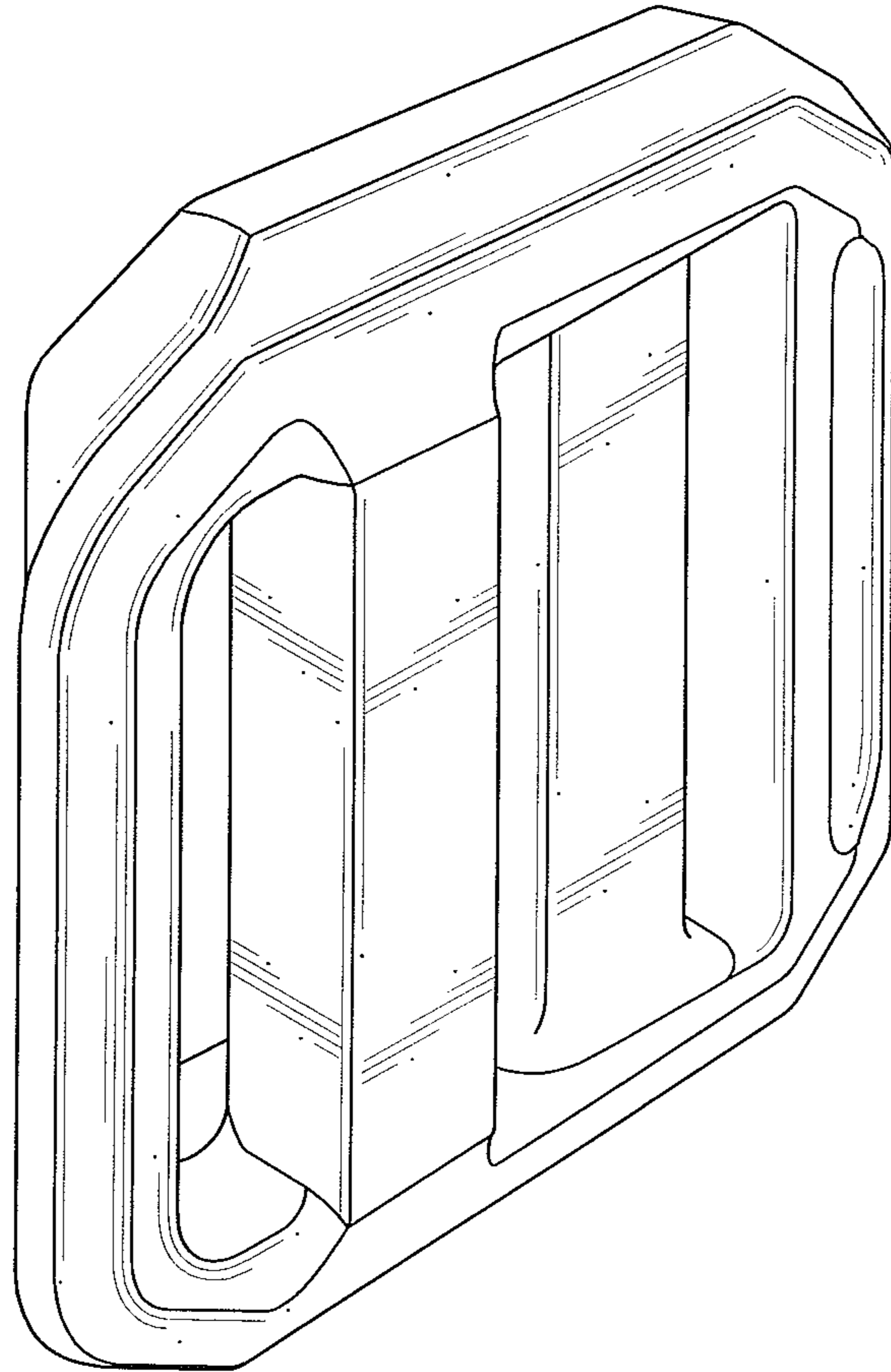


FIG. 1

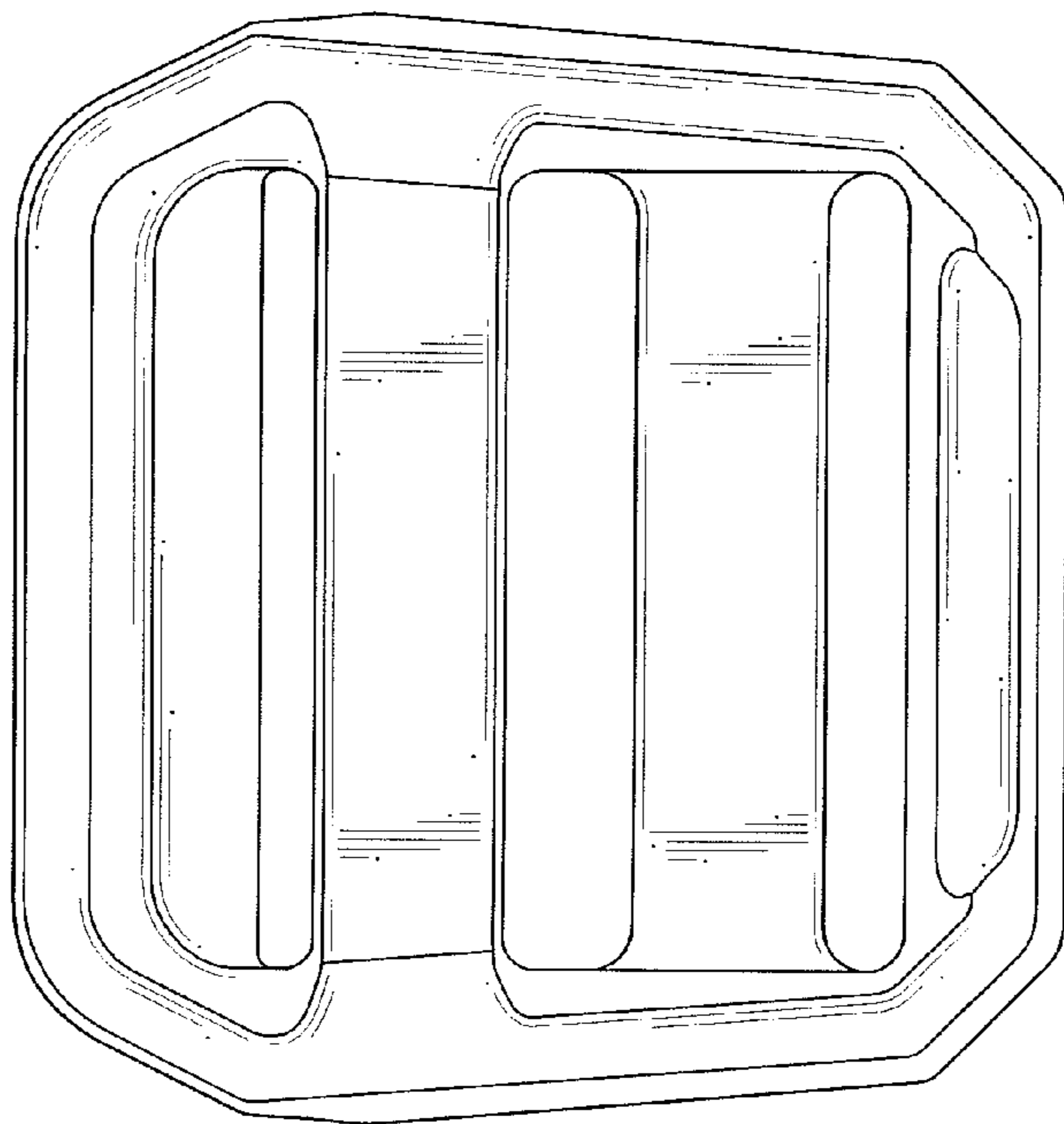


FIG. 2

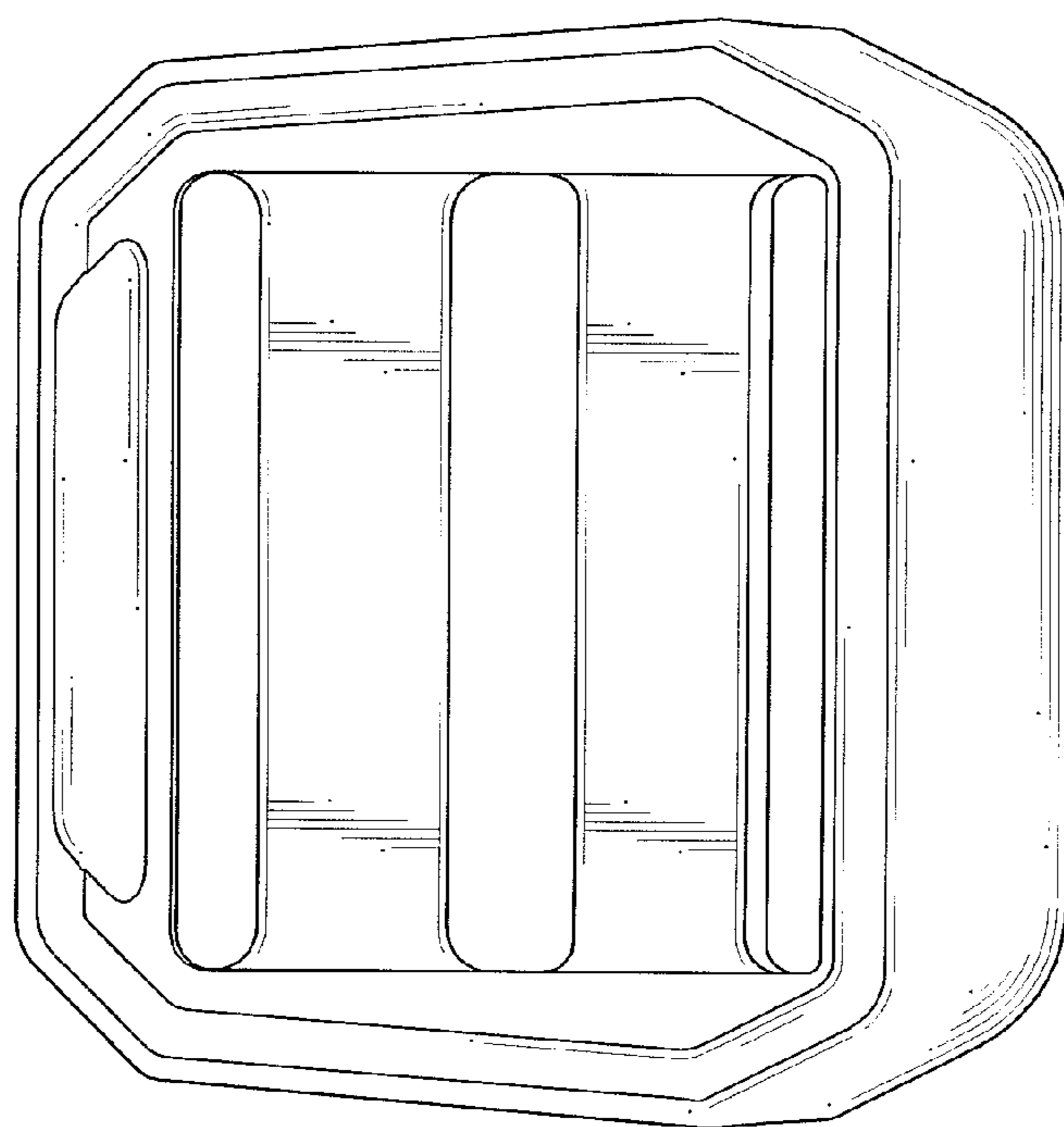


FIG. 3

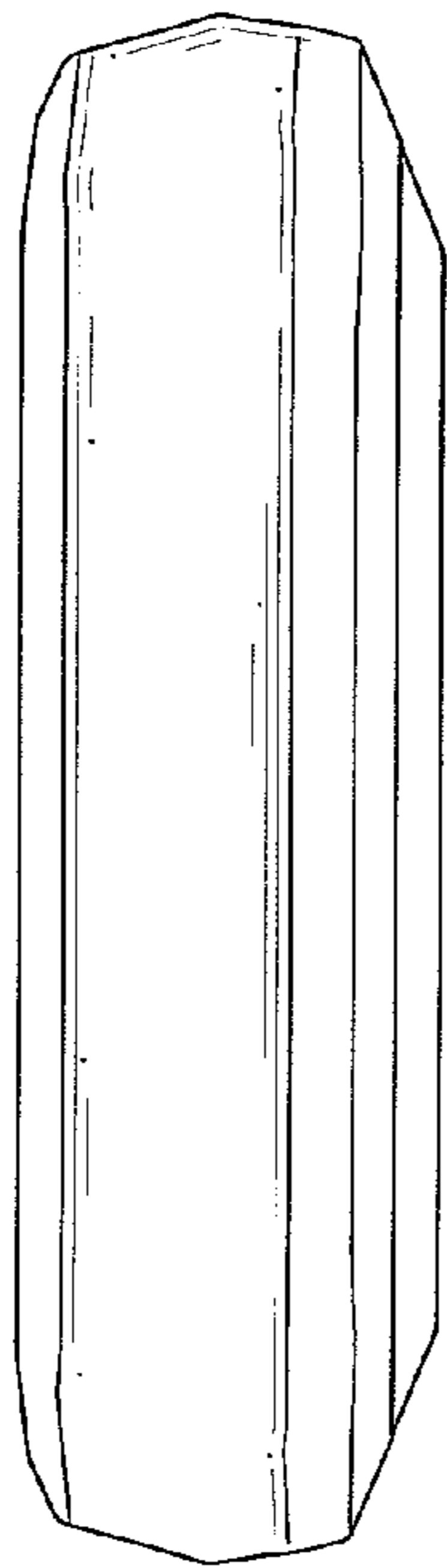


FIG. 4

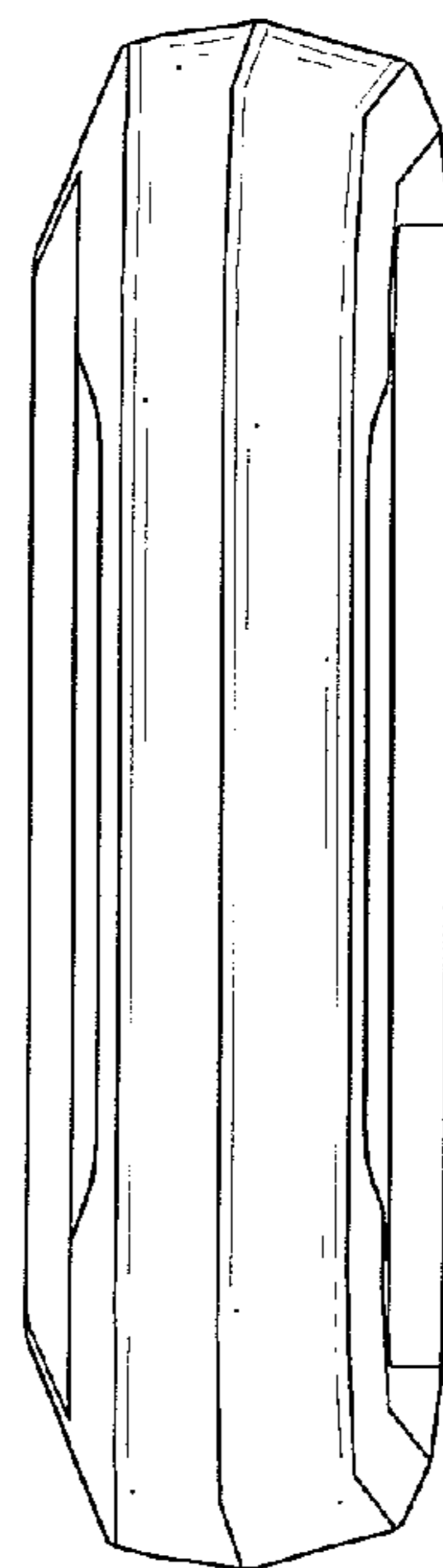


FIG. 5

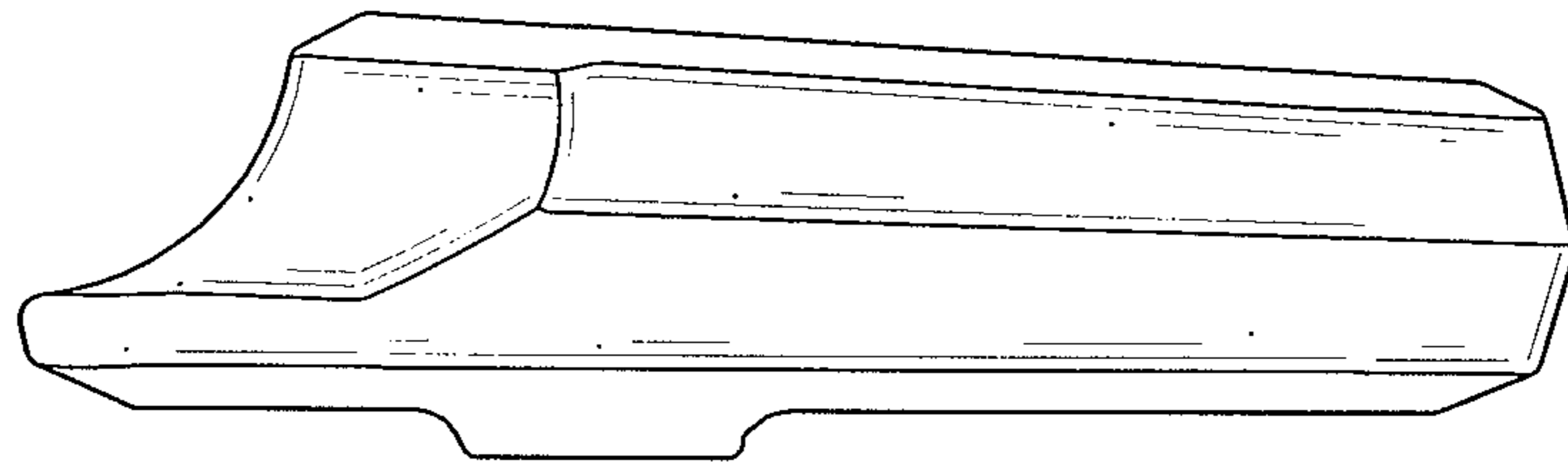


FIG. 6

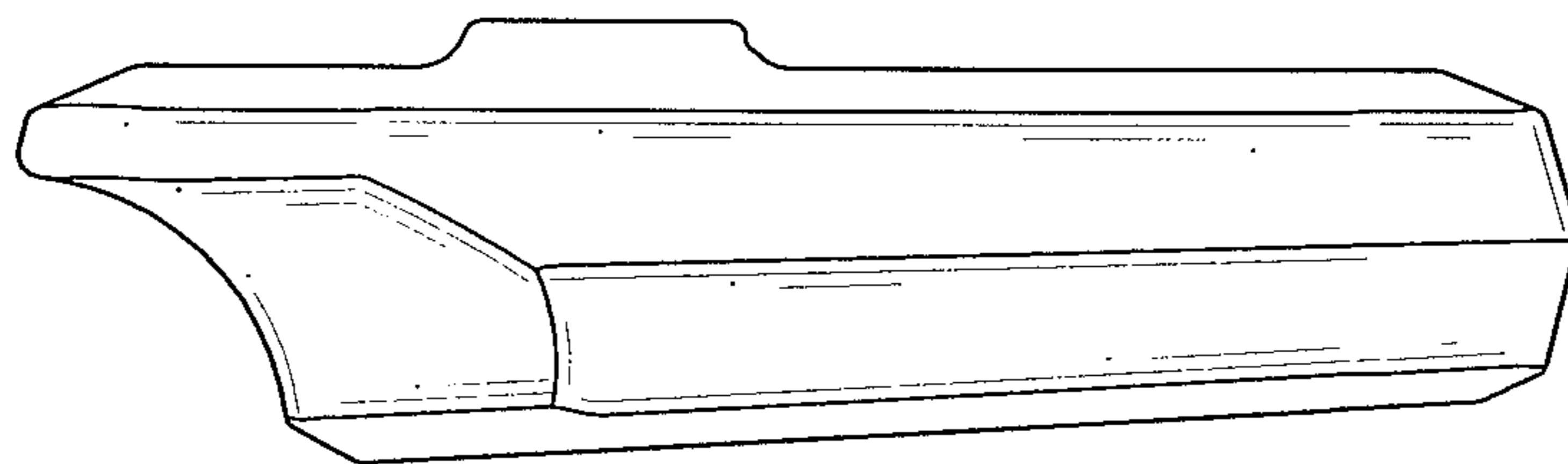


FIG. 7