



US00D731915S

(12) **United States Design Patent**
Simmonds

(10) **Patent No.:** **US D731,915 S**
(45) **Date of Patent:** **** Jun. 16, 2015**

(54) **PLANTER**

(71) Applicant: **Keith Rayburn Simmonds**, Yorktown,
TX (US)

(72) Inventor: **Keith Rayburn Simmonds**, Yorktown,
TX (US)

(**) Term: **14 Years**

(21) Appl. No.: **29/489,460**

(22) Filed: **Apr. 30, 2014**

(51) **LOC (10) Cl.** **11-02**

(52) **U.S. Cl.**
USPC **D11/143**

(58) **Field of Classification Search**
USPC D6/403-405; D7/586, 587; D9/414,
D9/424, 432; D11/143-156, 164
CPC A01G 9/00; A01G 9/02; A01G 9/021;
A01G 9/022; A01G 9/024; A01G 9/025;
A01G 9/026; A01G 9/10; A01G 9/104;
A01G 9/027; A01G 9/028
See application file for complete search history.

(56) **References Cited**

U.S. PATENT DOCUMENTS

1,405,568	A *	2/1922	Conklin	47/68
3,370,379	A *	2/1968	Gleason	47/67
D243,113	S *	1/1977	Hirsch	D11/156
D247,357	S *	2/1978	Gray	D11/156
D255,886	S *	7/1980	Flynn	D11/156
D265,387	S *	7/1982	Natgrass	D11/156
D274,009	S *	5/1984	Caruso	D28/39
D316,836	S *	5/1991	Kistner	D11/156

5,067,275	A *	11/1991	Constance	47/62 E
5,394,647	A *	3/1995	Blackford, Jr.	47/62 A
D395,616	S *	6/1998	Egloff	D11/156
6,219,966	B1 *	4/2001	Lapointe et al.	47/62 C
6,276,089	B1 *	8/2001	Boisclair et al.	47/62 A
6,986,222	B1 *	1/2006	Cochran	47/66.1
7,412,798	B2 *	8/2008	Boxsell	47/39
D640,163	S *	6/2011	Hashimoto	D11/156
8,065,833	B2 *	11/2011	Triantos	47/62 R
8,122,643	B2 *	2/2012	Harder	47/65.5
D661,179	S *	6/2012	Henrichsmeyer et al.	D9/414
D675,128	S *	1/2013	Suphachadiwong	D11/143
8,826,591	B2 *	9/2014	Shepps	47/86
2012/0124905	A1 *	5/2012	Harder	47/66.1

* cited by examiner

Primary Examiner — Elizabeth Albert

(57) **CLAIM**

The ornamental design for an planter, as shown and described.

DESCRIPTION

FIG. 1 is a perspective front view of a planter showing my new design;
FIG. 2 is a front elevation view of FIG. 1, the rear elevation view being a mirror image thereof;
FIG. 3 is a left side elevation view thereof;
FIG. 4 is a right side elevation view thereof;
FIG. 5 is a top plan view thereof;
FIG. 6 is a bottom plan view thereof; and,
FIG. 7 is another front elevation view thereof.
The broken lines showing the stand, bucket, chains and inside surface in FIGS. 1-7 are included for the purpose of showing features that form no part of the claimed design.

1 Claim, 4 Drawing Sheets

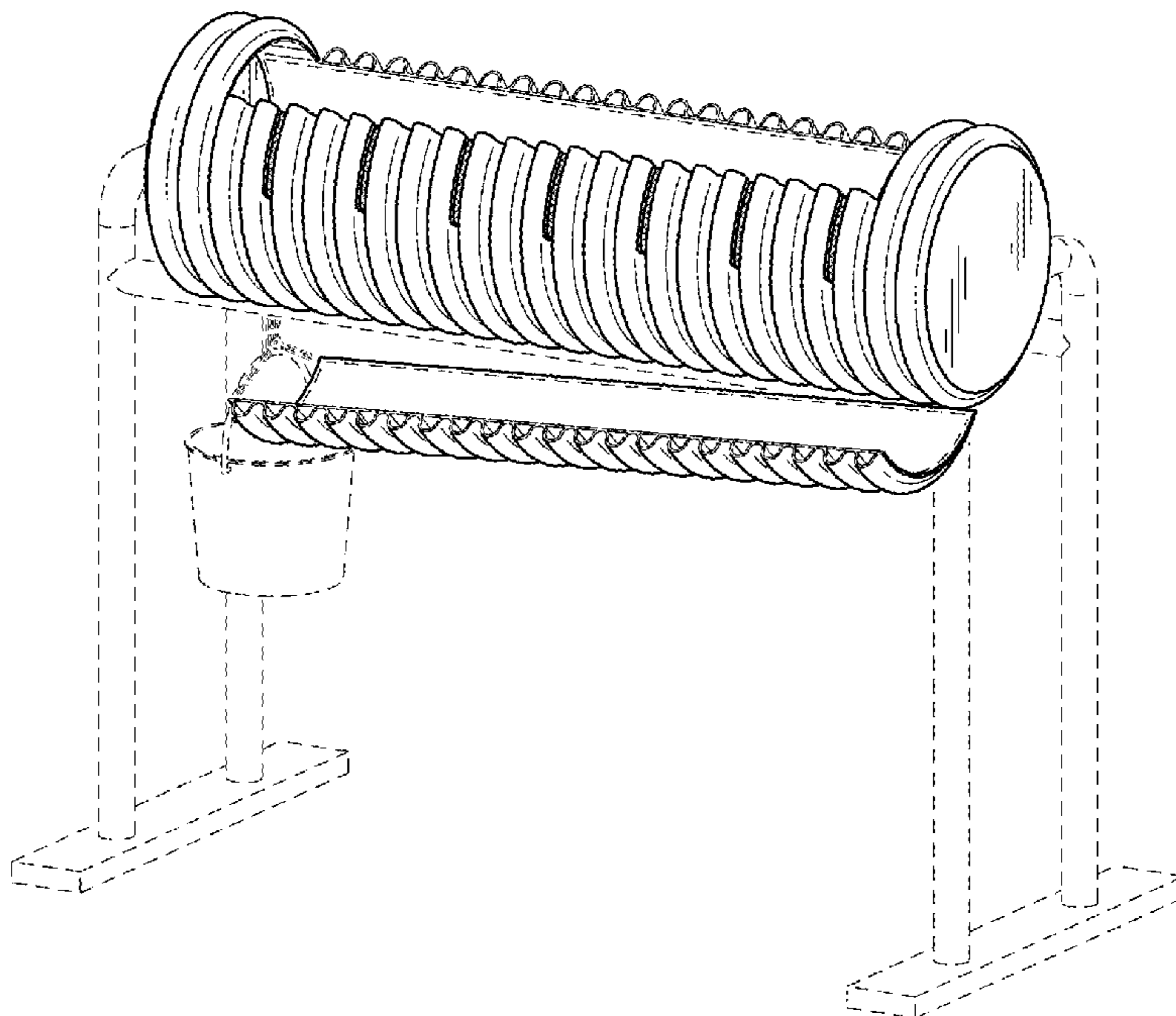


FIG. 1

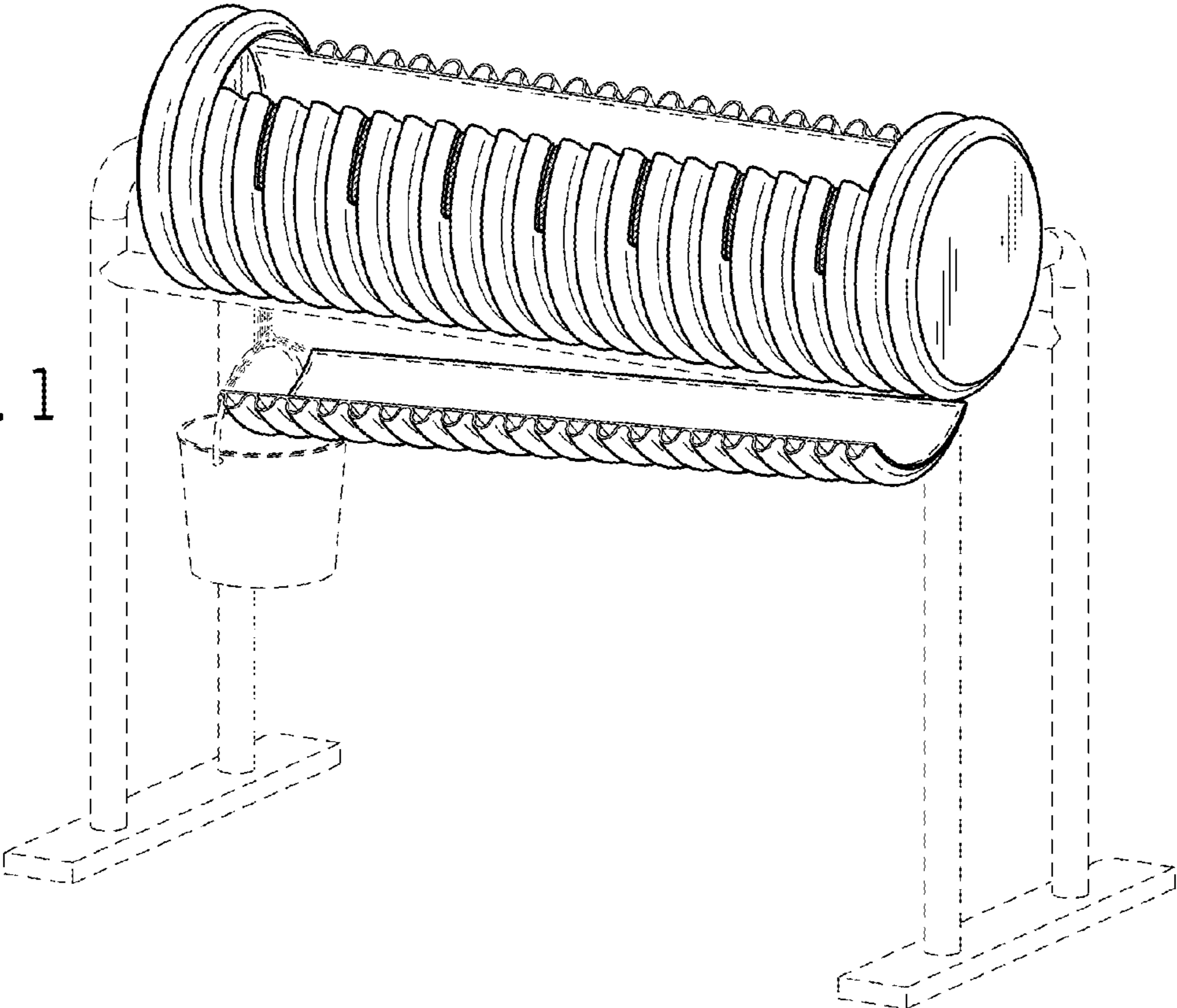
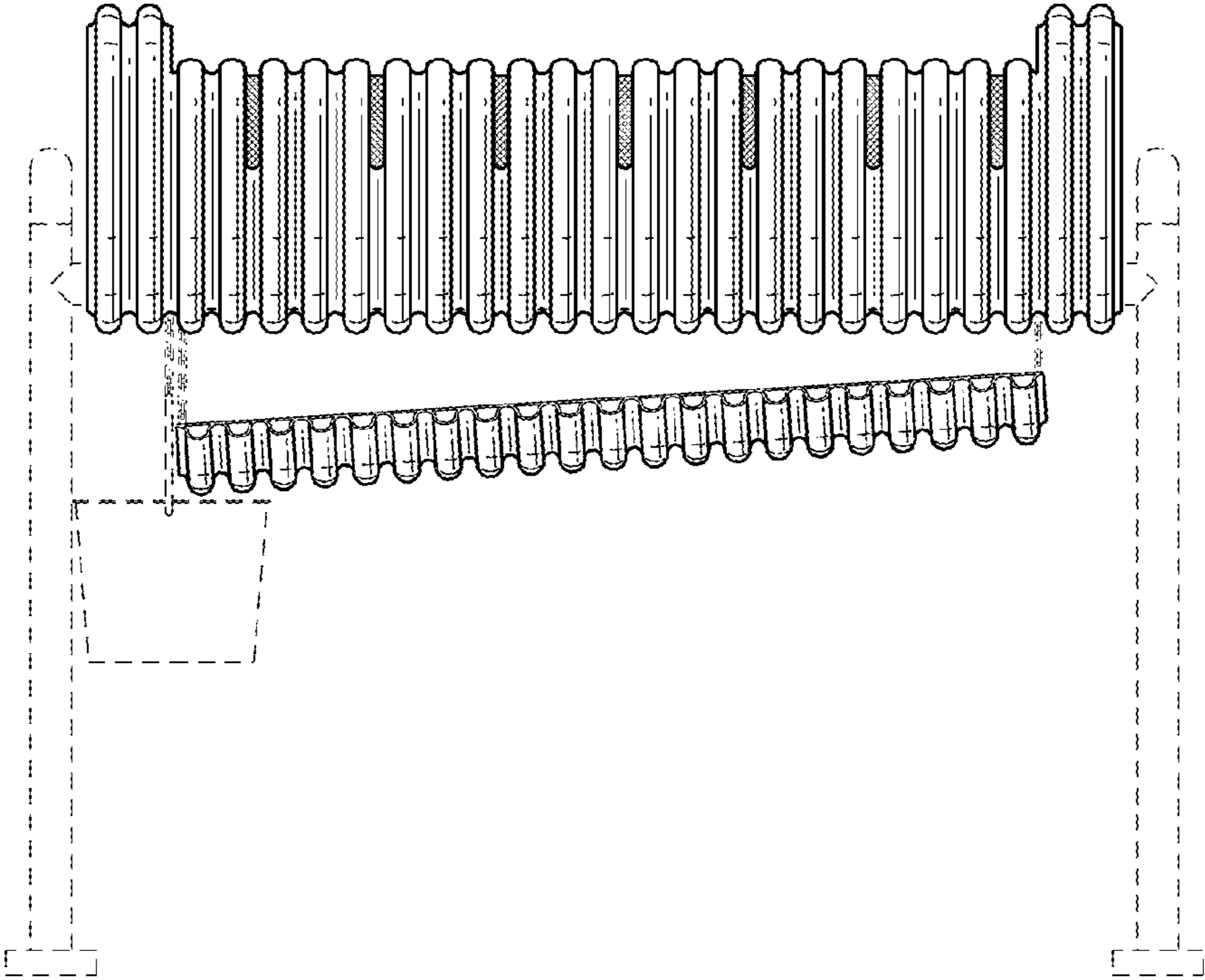


FIG. 2



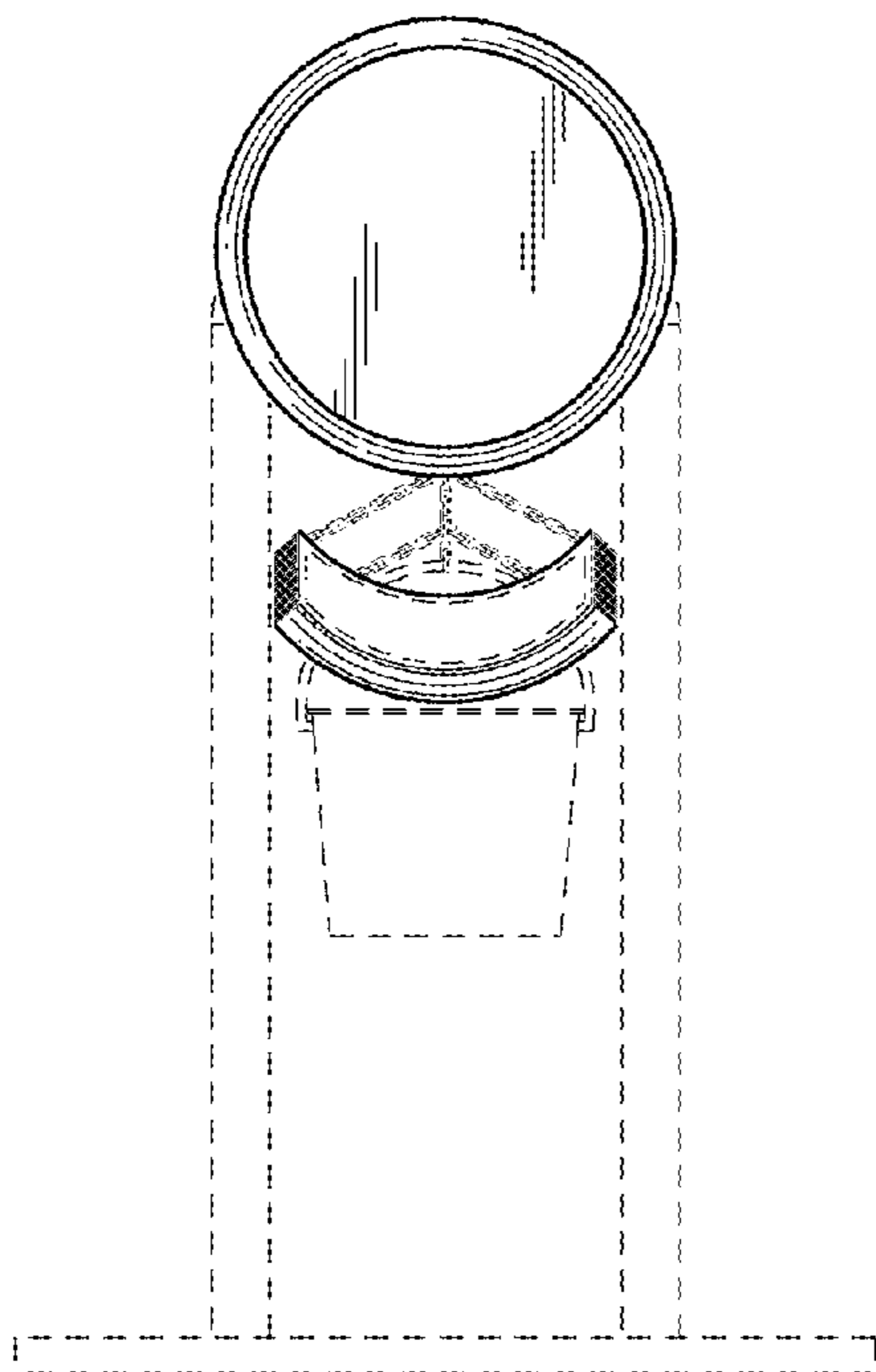


FIG. 3

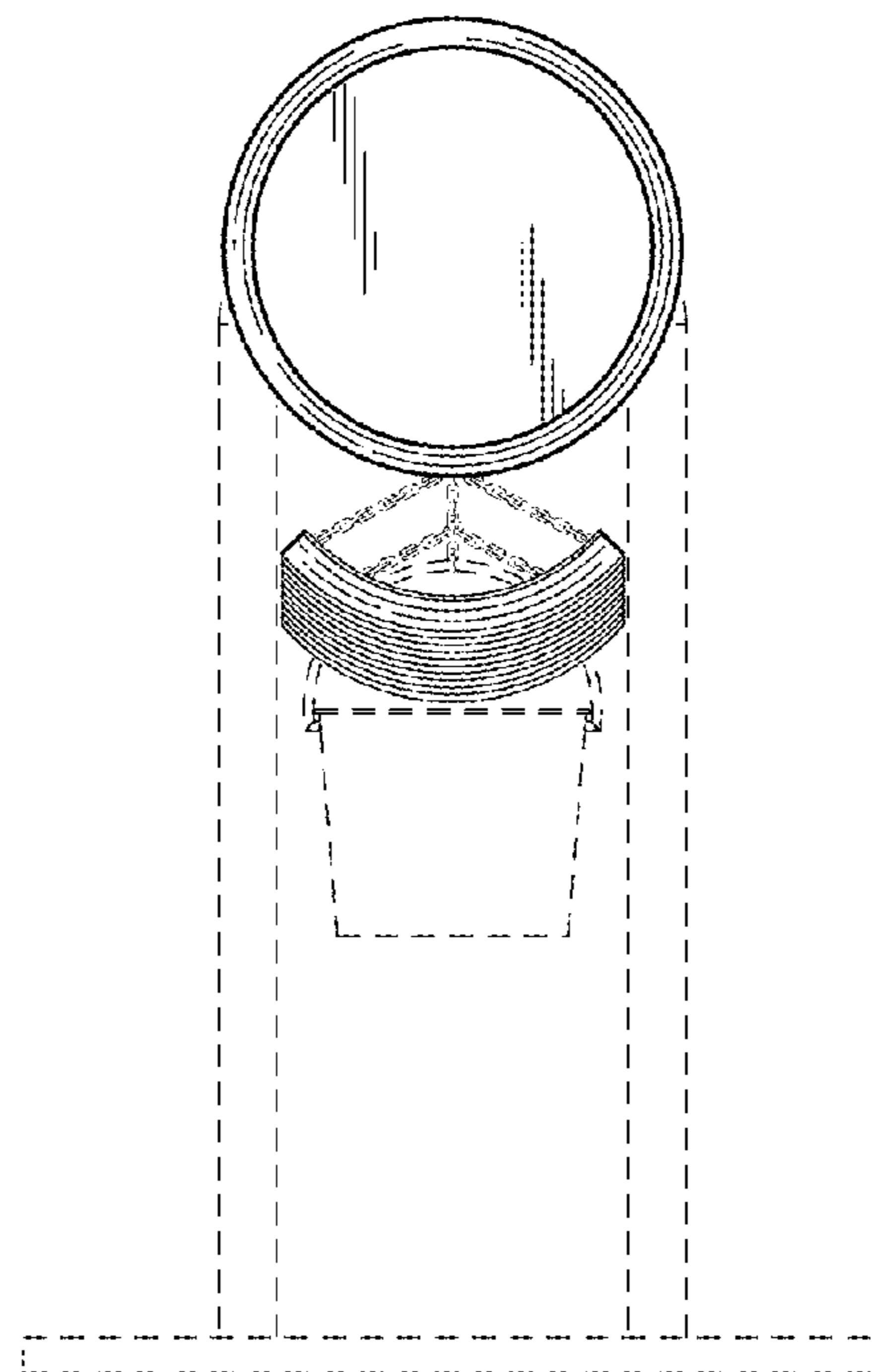


FIG. 4

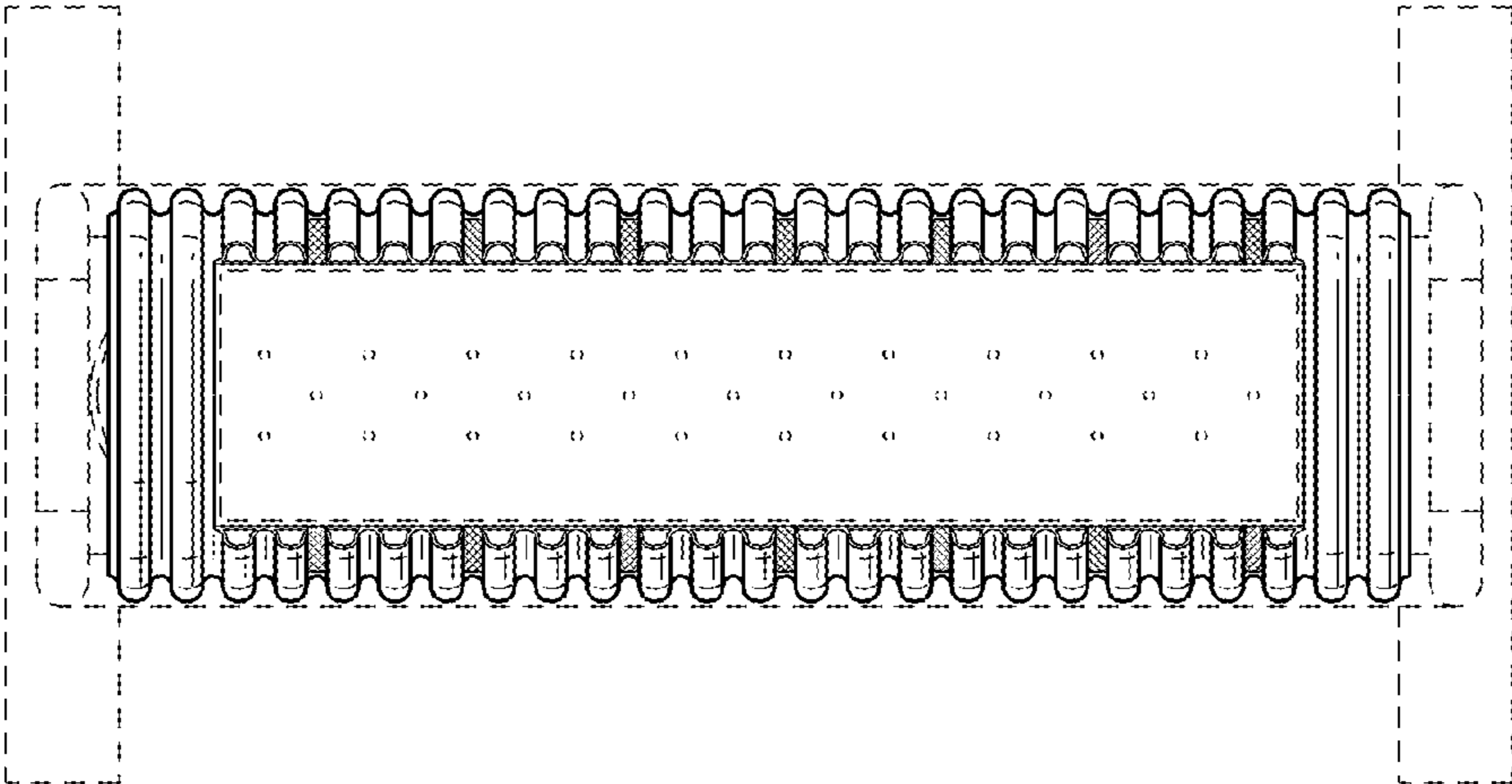


FIG. 5

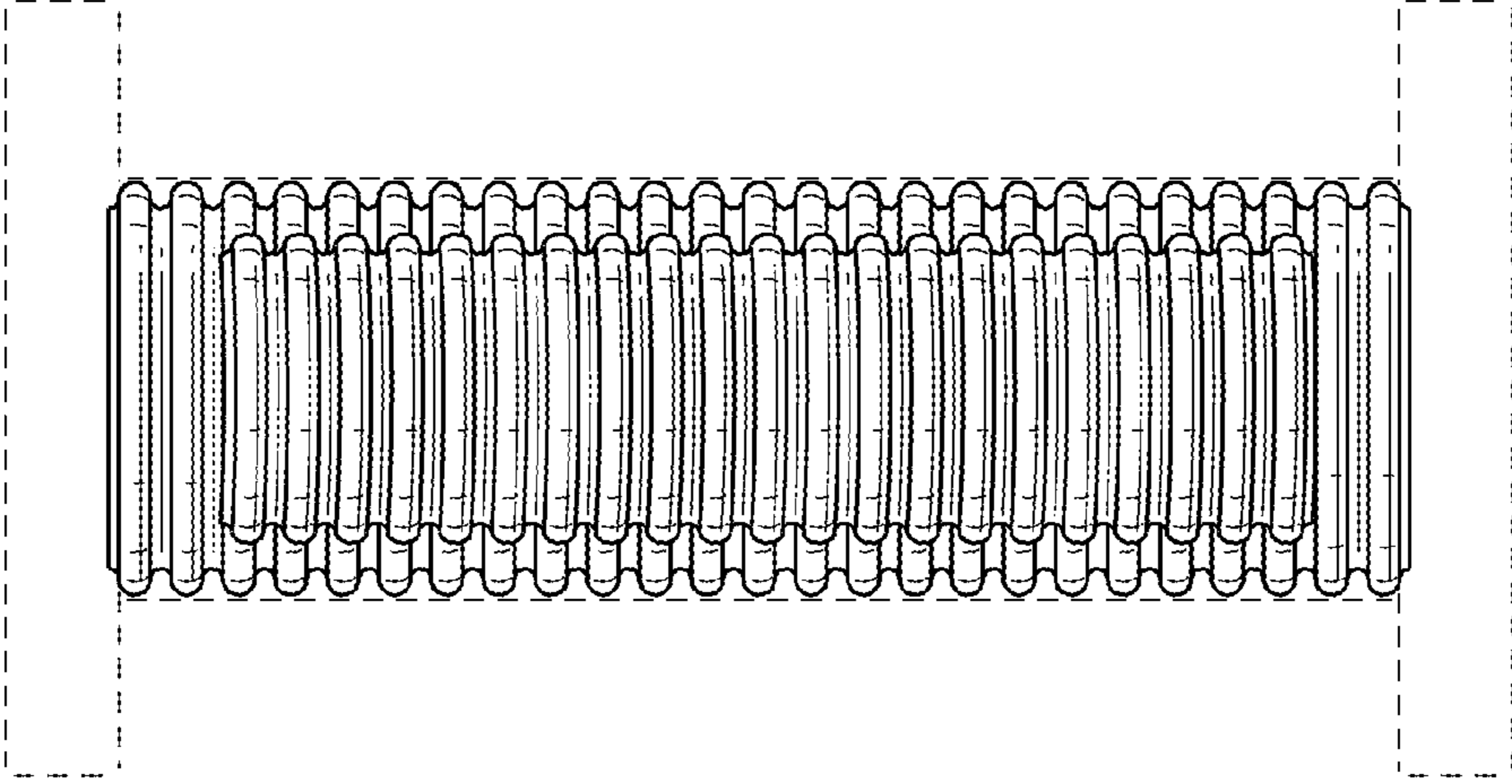


FIG. 6

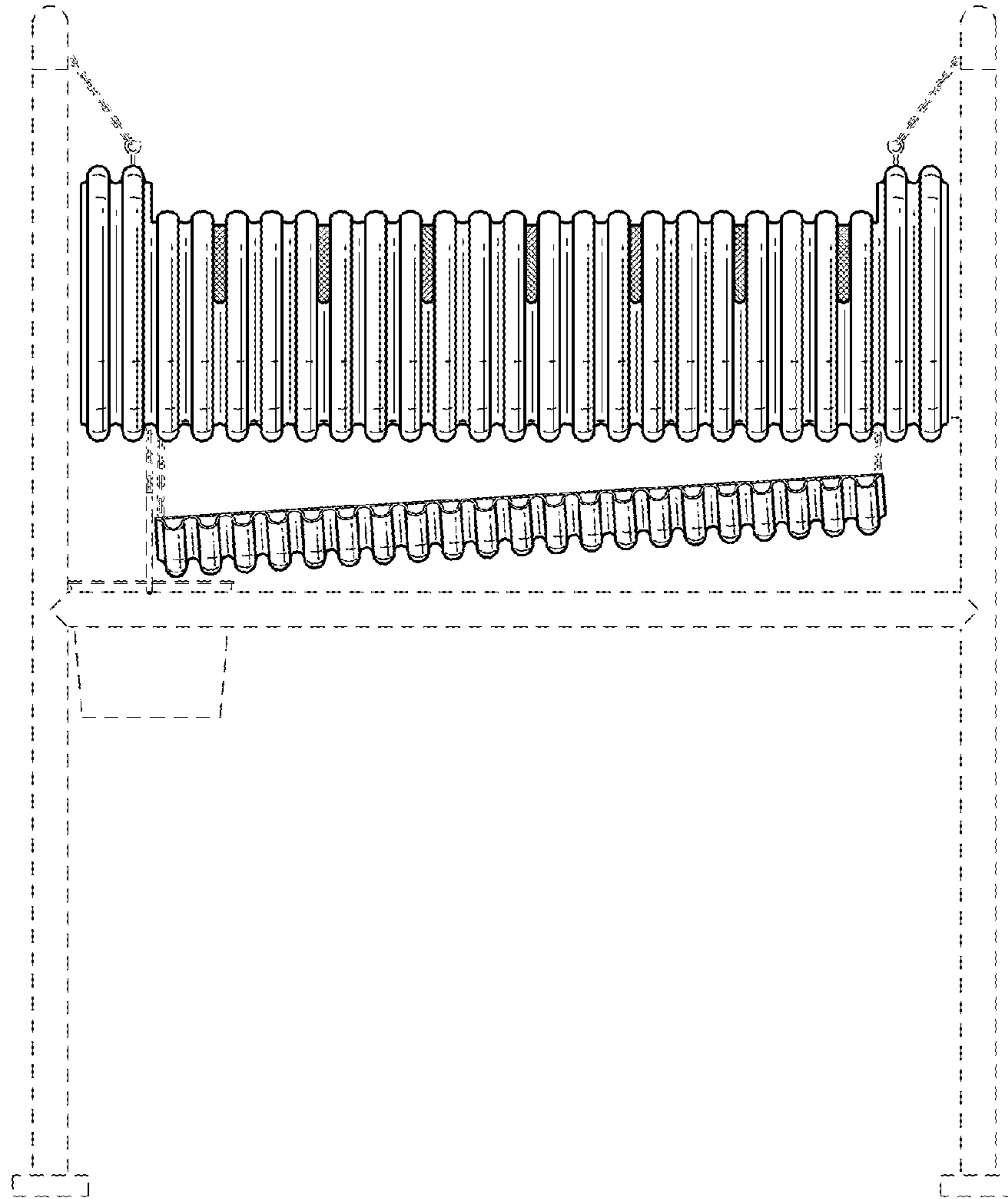


FIG. 7