



US00D731912S

(12) **United States Design Patent**  
**Beverly**

(10) **Patent No.:** **US D731,912 S**  
(45) **Date of Patent:** **\*\* Jun. 16, 2015**

(54) **CALL BELL STABILIZER**  
(75) **Inventor:** **Cynthia D. Beverly**, Greensboro, NC  
(US)  
(73) **Assignee:** **Bee Safe Products, LLC**, Greensboro,  
NC (US)  
(\*\*) **Term:** **14 Years**

5,575,802 A	11/1996	McQuilkin et al.	606/151
D386,968 S	12/1997	Williams	D9/434
D399,729 S *	10/1998	Chen	D8/395
5,960,520 A	10/1999	Conway et al.	24/306
D433,318 S *	11/2000	Chang	D8/395
D457,409 S *	5/2002	Noniewicz	D8/72
6,776,783 B1	8/2004	Frantzen et al.	606/151
D514,914 S *	2/2006	Degen	D8/72
D522,750 S	6/2006	Girod	D3/303
D606,947 S	12/2009	Caprio et al.	D13/168
D718,999 S *	12/2014	Robinson et al.	D8/72

(21) **Appl. No.:** **29/424,327**  
(22) **Filed:** **Jun. 11, 2012**  
(51) **LOC (10) Cl.** ..... **10-05**  
(52) **U.S. Cl.**  
USPC ..... **D10/121**  
(58) **Field of Classification Search**  
USPC ..... D10/116.1; D8/395, 72, 71; 24/306,  
24/504; 604/179, 346, 142  
See application file for complete search history.

**OTHER PUBLICATIONS**

Two (2) pages showing eight (8) photographs of a clip; Date: 2009.

\* cited by examiner

*Primary Examiner* — George D Kirschbaum  
(74) *Attorney, Agent, or Firm* — Blake P. Hurt

(57) **CLAIM**  
The ornamental design for a call bell stabilizer, as shown and described.

(56) **References Cited**

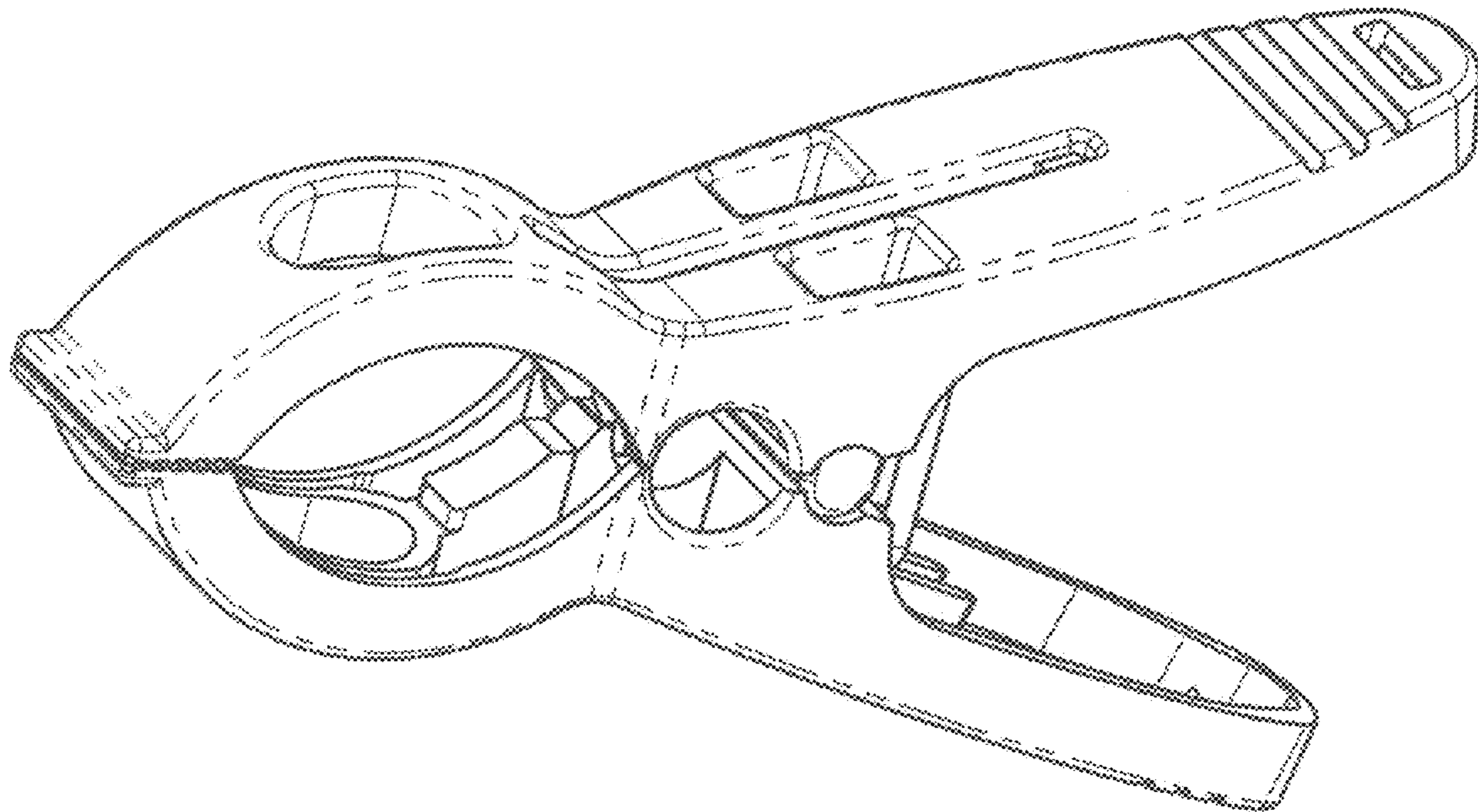
U.S. PATENT DOCUMENTS

3,726,280 A	4/1973	Lacount	128/349 R
4,086,686 A	5/1978	Takabayashi	24/250
4,141,119 A	2/1979	Nodo	24/250
4,418,694 A	12/1983	Beroff et al.	128/326
4,424,810 A	1/1984	Jewusiak	128/326
4,639,980 A	2/1987	Peterson	24/306
4,822,348 A	4/1989	Casey	604/346
D307,218 S	4/1990	Arnold	D6/328
D350,892 S *	9/1994	Sorensen	D8/395
5,370,246 A	12/1994	Traynor	211/86

**DESCRIPTION**

FIG. 1 is an enlarged top, front, left side perspective view of a call bell stabilizer showing my new design; FIG. 2 is a right side elevational view thereof, the left side elevational view being a mirror image thereof; FIG. 3 is a front elevational view thereof; FIG. 4 is a rear elevational view thereof; and, FIG. 5 is a top plan view thereof, the bottom plan view being a mirror image thereof.

**1 Claim, 2 Drawing Sheets**



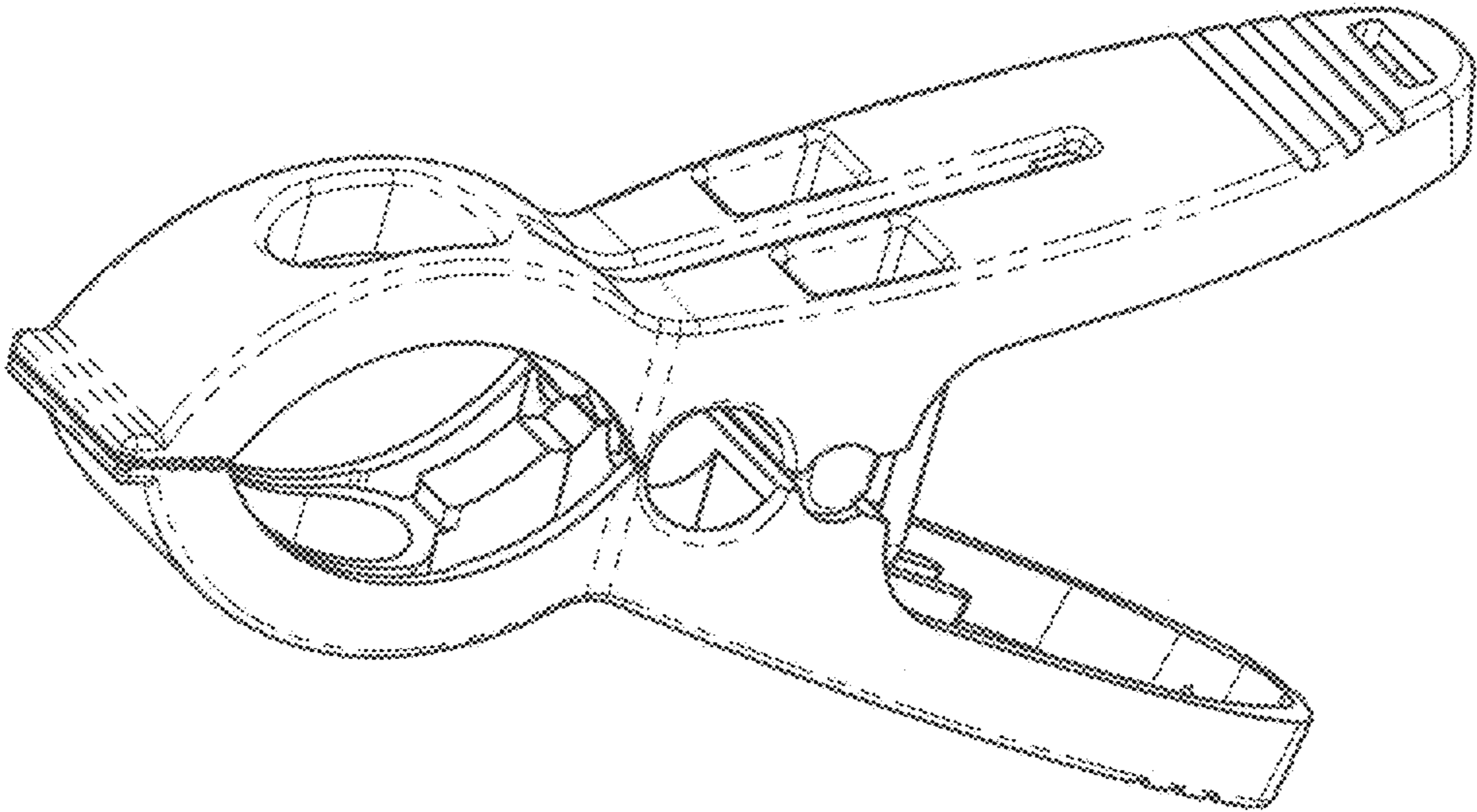


Fig. 1

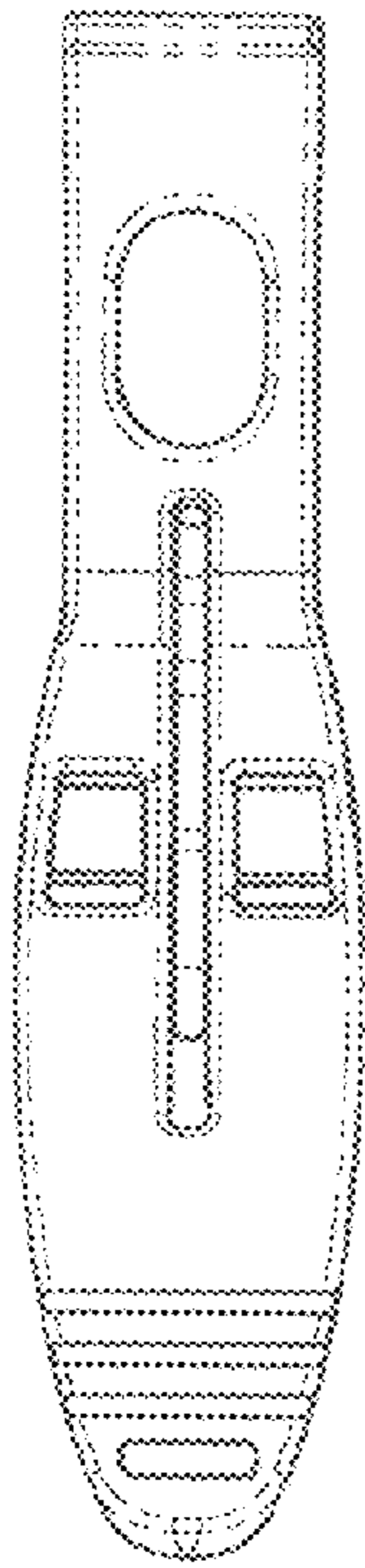


Fig. 5

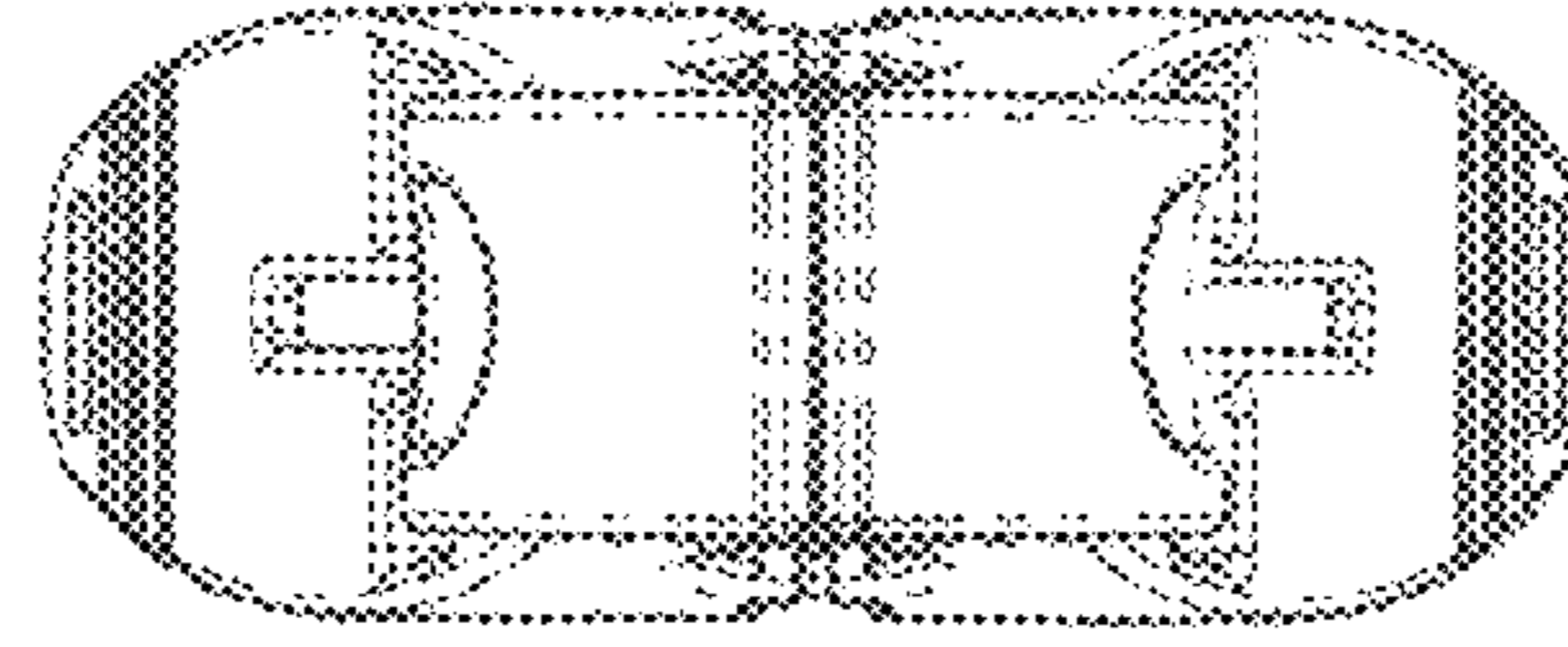


Fig. 3

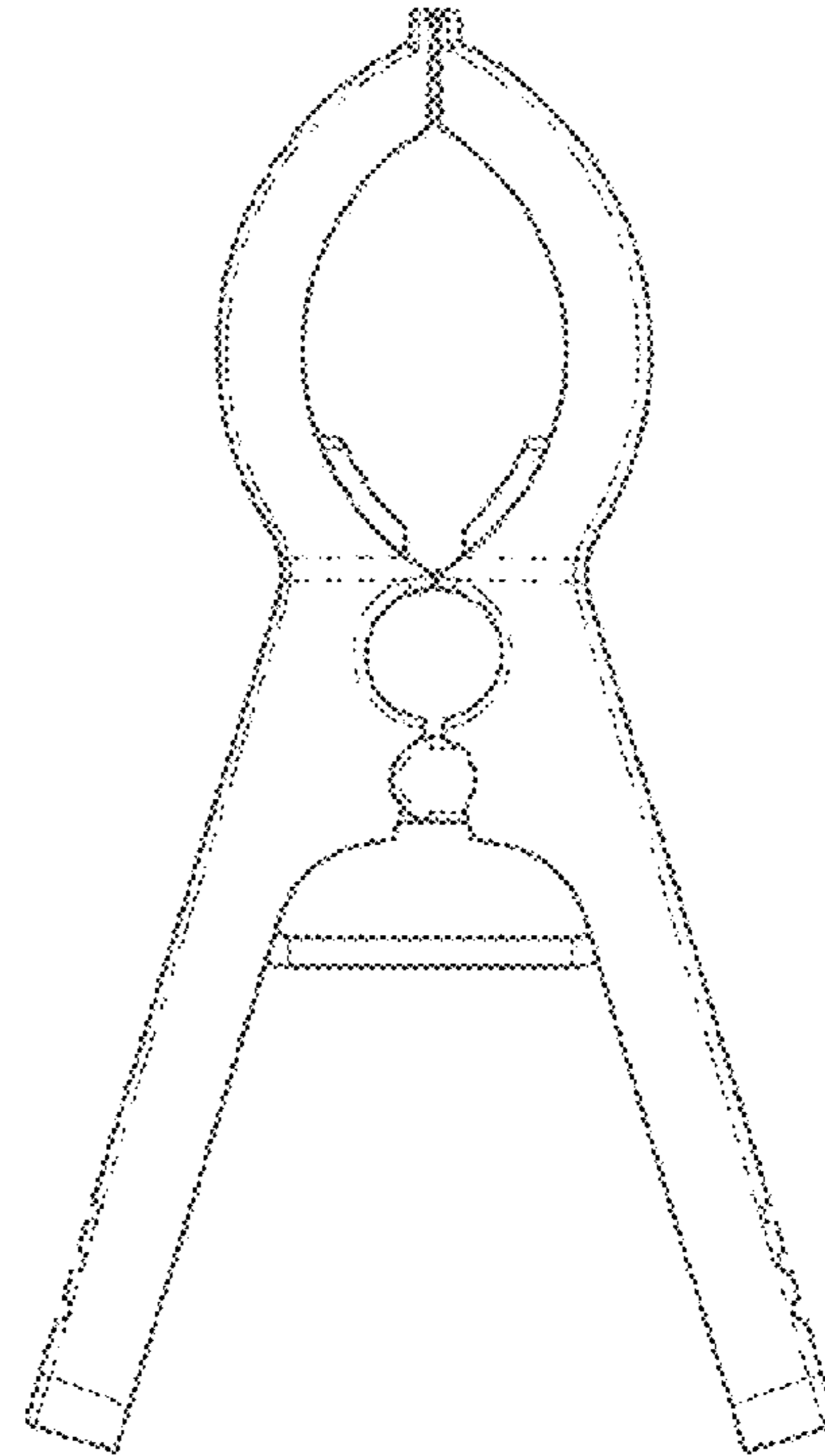


Fig. 2

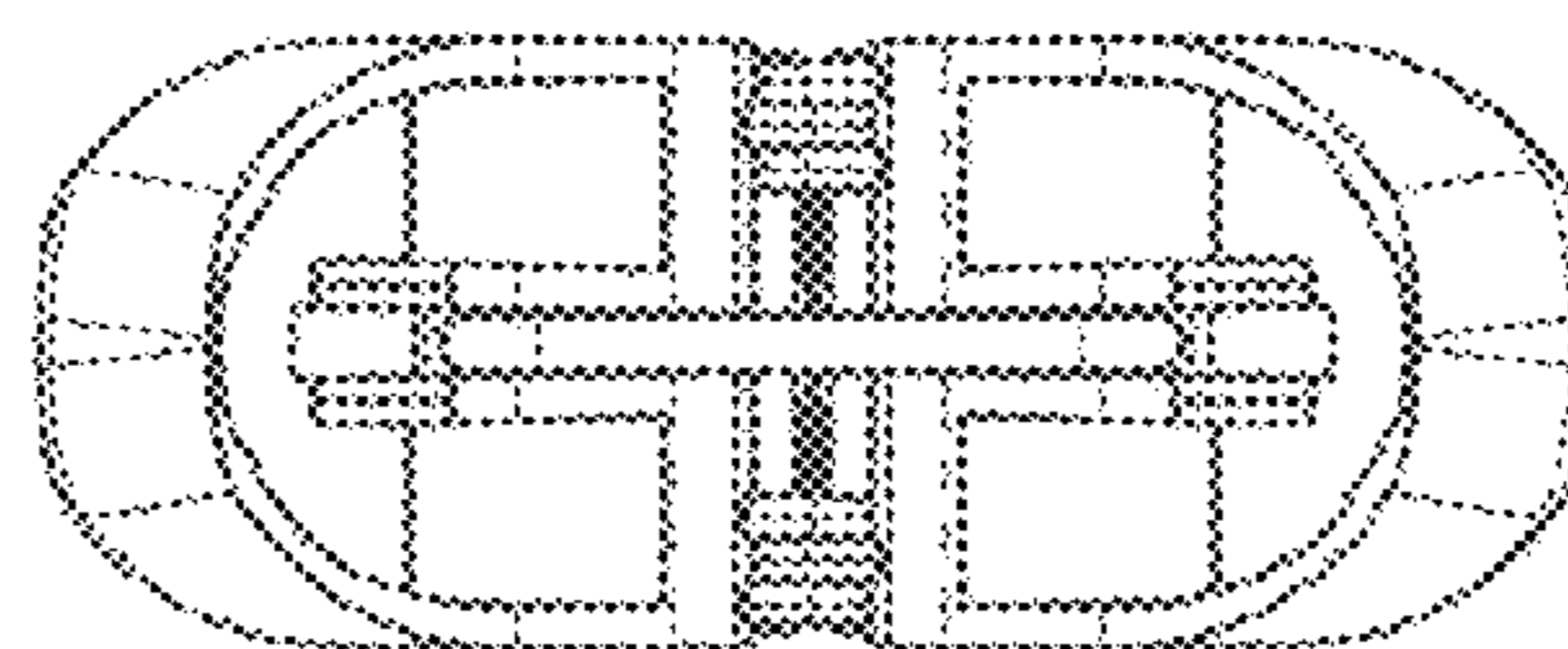


Fig. 4