



US00D731910S

(12) **United States Design Patent**
Muraoka et al.

(10) **Patent No.:** **US D731,910 S**
(45) **Date of Patent:** **** Jun. 16, 2015**

(54) **SPECTROPHOTOMETER**

G01J 3/06; G01J 2003/061–2003/069; G01J 3/08–3/10

(71) Applicant: **SHIMADZU CORPORATION**, Kyoto (JP)

See application file for complete search history.

(72) Inventors: **Hiroshi Muraoka**, Kyoto (JP); **Tomoari Kobayashi**, Kyoto (JP)

(56) **References Cited**

U.S. PATENT DOCUMENTS

(73) Assignee: **SHIMADZU CORPORATION**, Kyoto (JP)

D656,048 S * 3/2012 Suzuki et al. D10/81
* cited by examiner

(**) Term: **14 Years**

Primary Examiner — Antoine D Davis

(21) Appl. No.: **29/492,005**

(74) *Attorney, Agent, or Firm* — Jianq Chyun IP Office

(22) Filed: **May 28, 2014**

(57) **CLAIM**

The ornamental design for a spectrophotometer, as shown.

(30) **Foreign Application Priority Data**

DESCRIPTION

Feb. 27, 2014 (JP) 2014-004012

FIG. 1 is a perspective view of a spectrophotometer showing our new design;

(51) **LOC (10) Cl.** **10-04**

FIG. 2 is a front view thereof;

(52) **U.S. Cl.**

FIG. 3 is a rear view thereof;

USPC **D10/81**

FIG. 4 is a left side view thereof;

(58) **Field of Classification Search**

FIG. 5 is a right side view thereof;

USPC D10/75, 78, 81

FIG. 6 is a top view thereof; and,

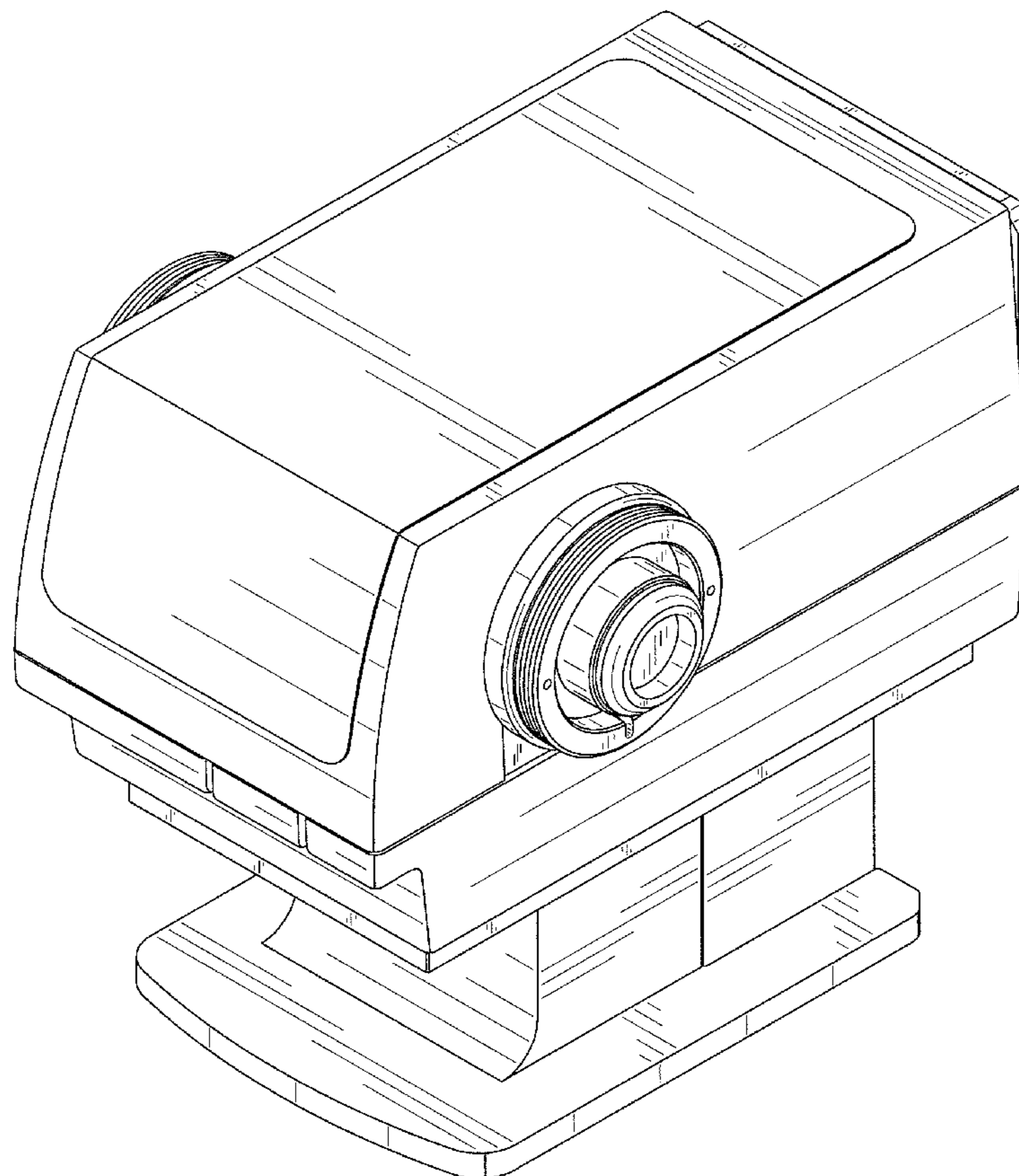
CPC G01J 3/00; G01J 2003/003–2003/006;

FIG. 7 is a bottom view thereof.

G01J 3/02–3/0278; G01J 2003/0281; G01J

3/0283–3/04; G01J 2003/042–2003/047;

1 Claim, 7 Drawing Sheets



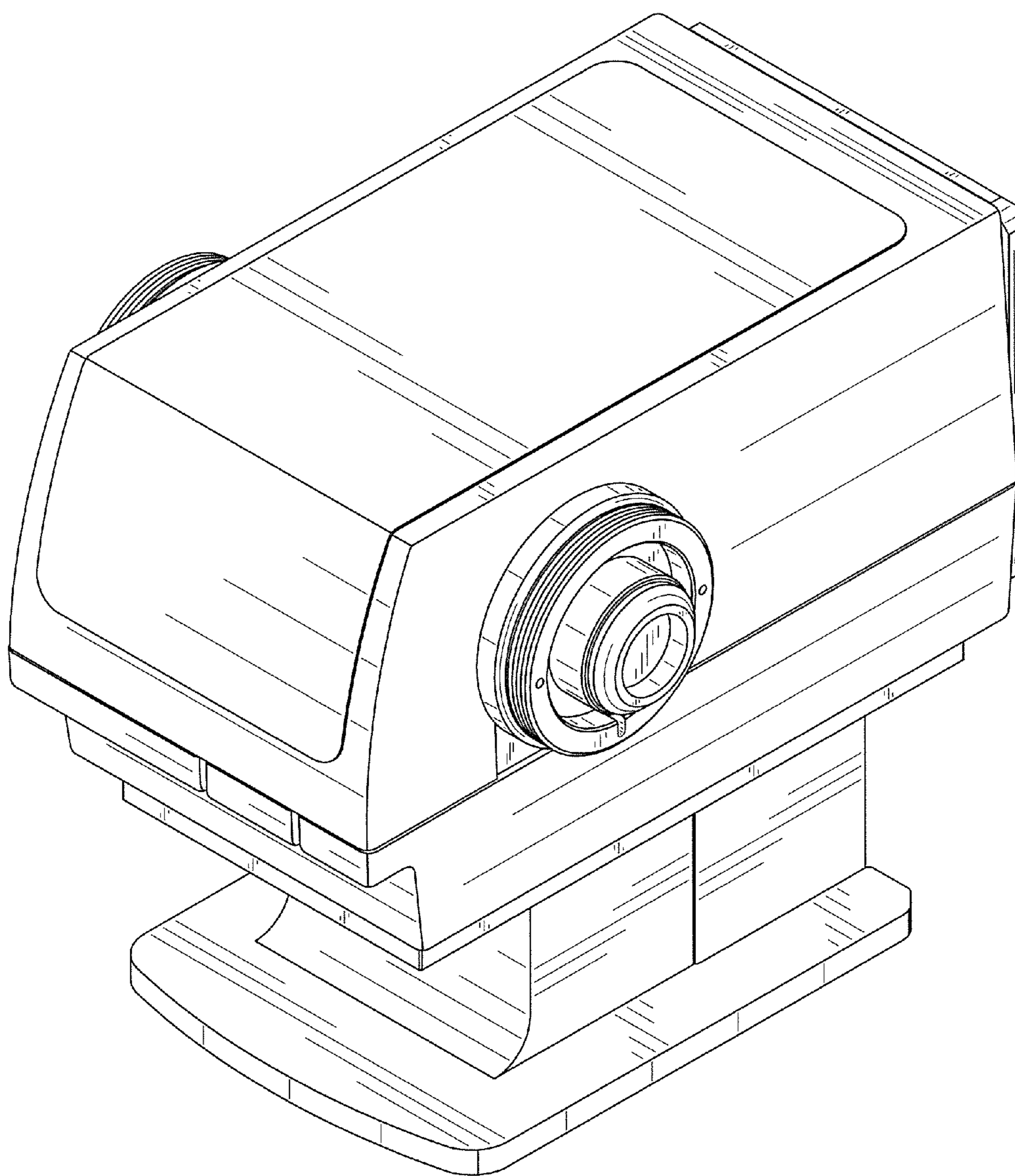


FIG. 1

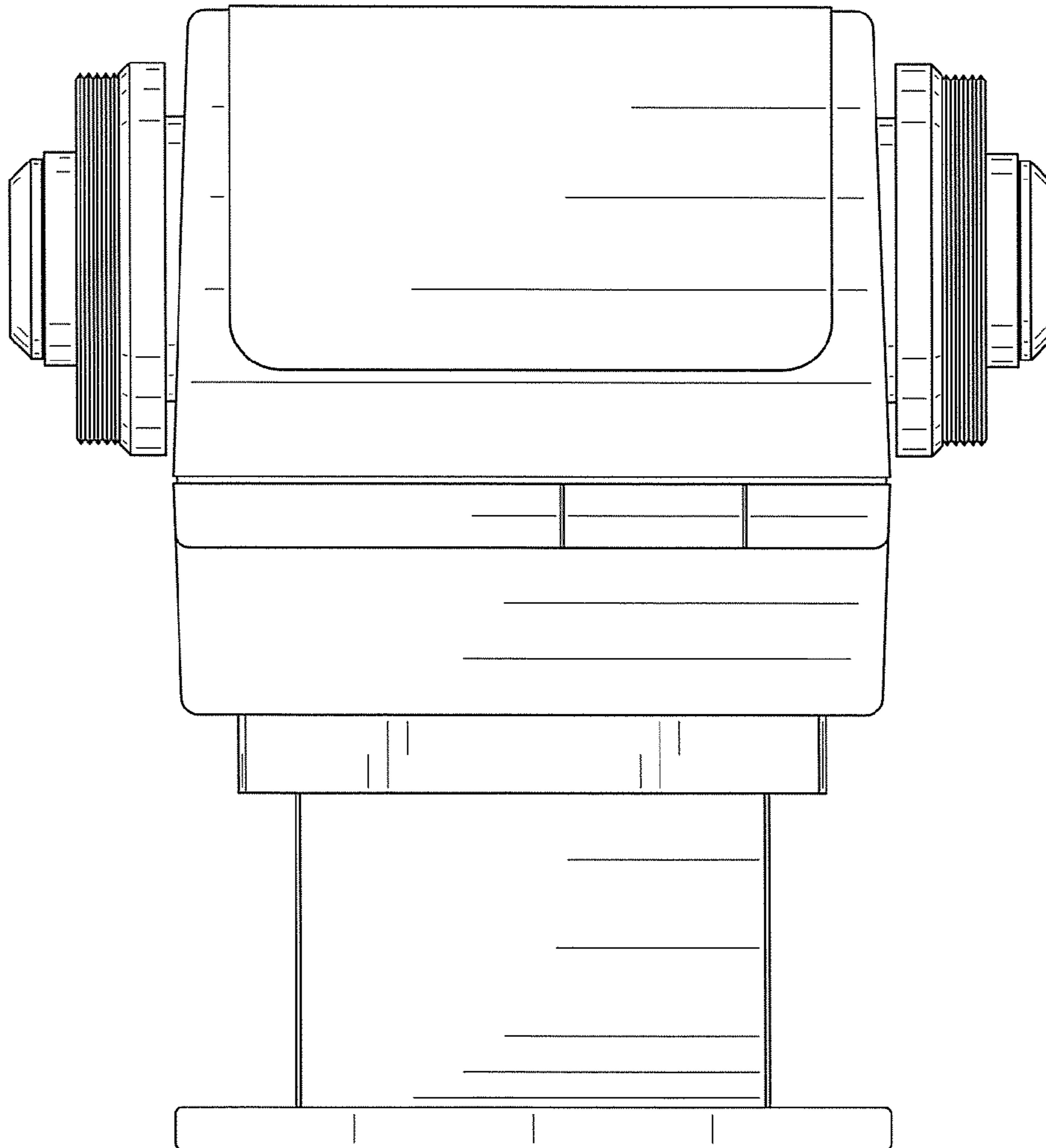


FIG. 2

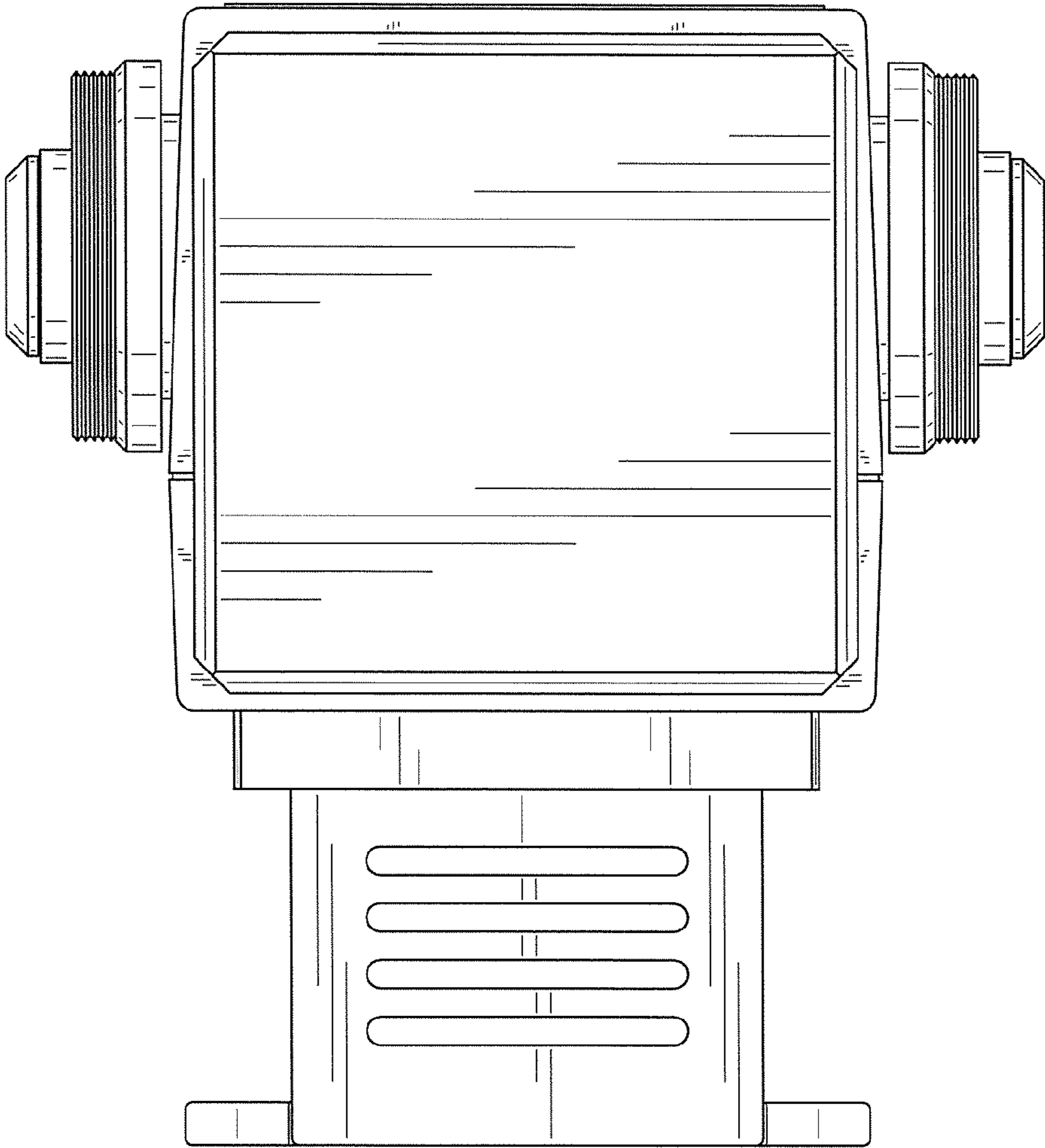


FIG. 3

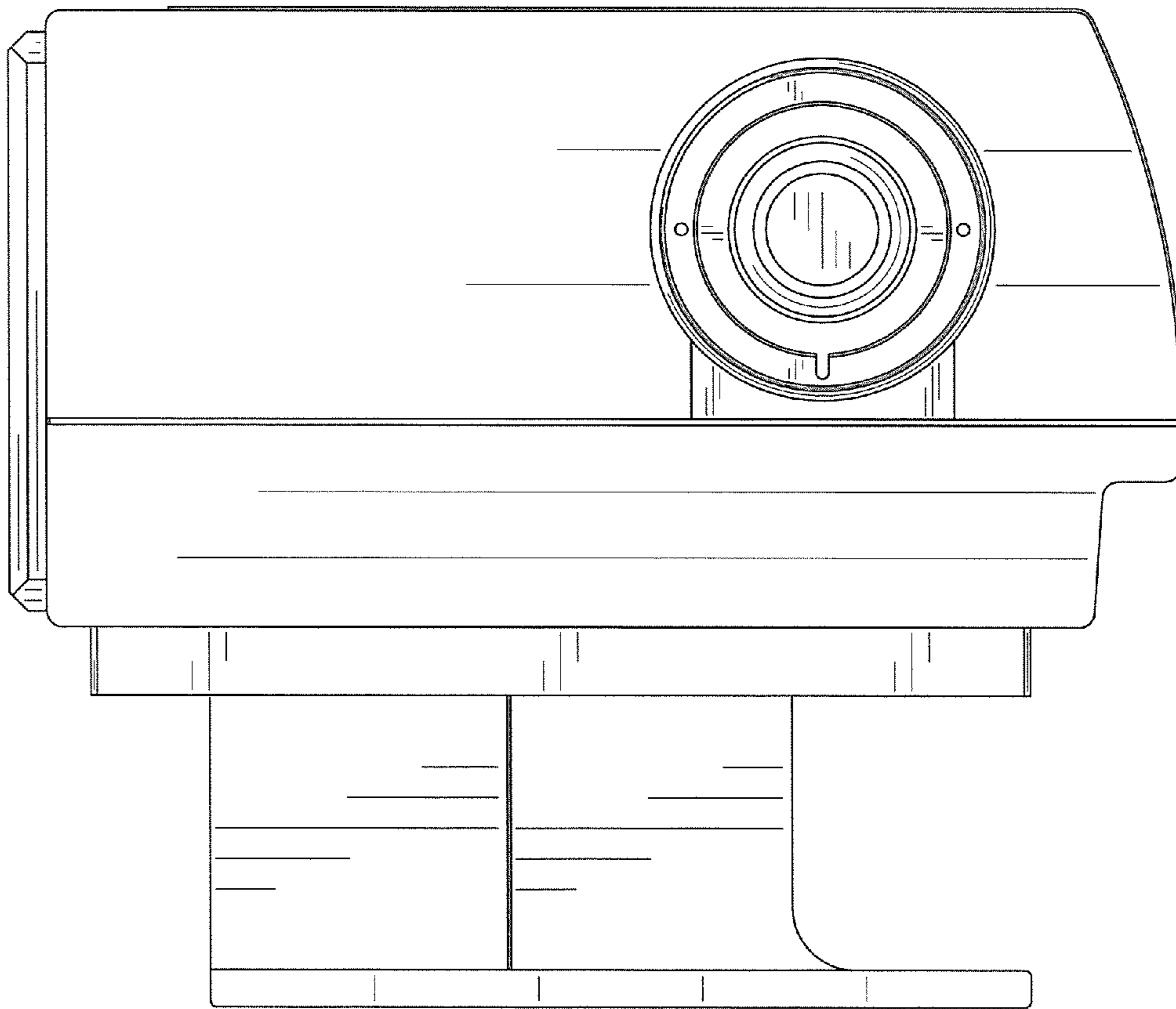


FIG. 4

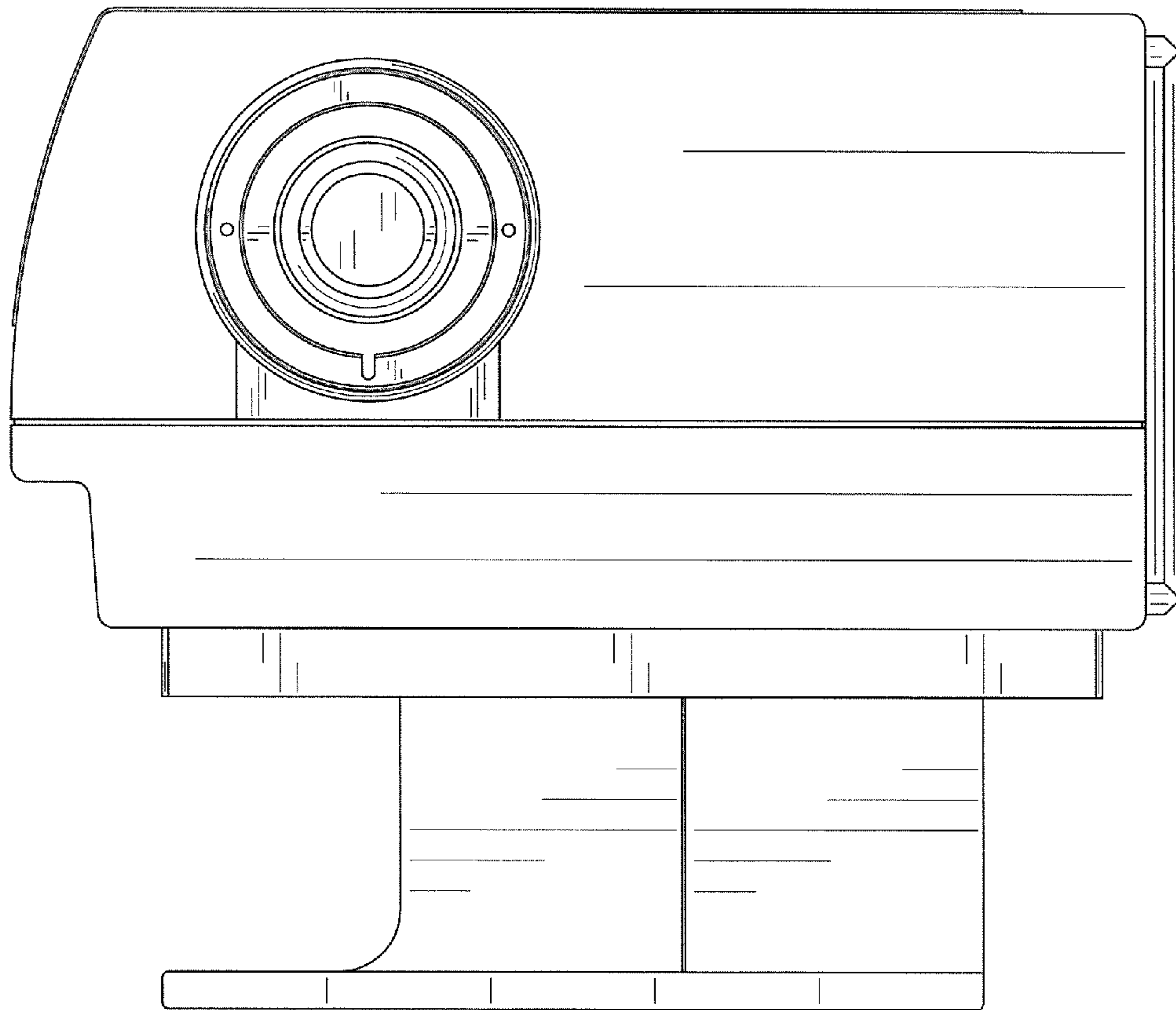


FIG. 5

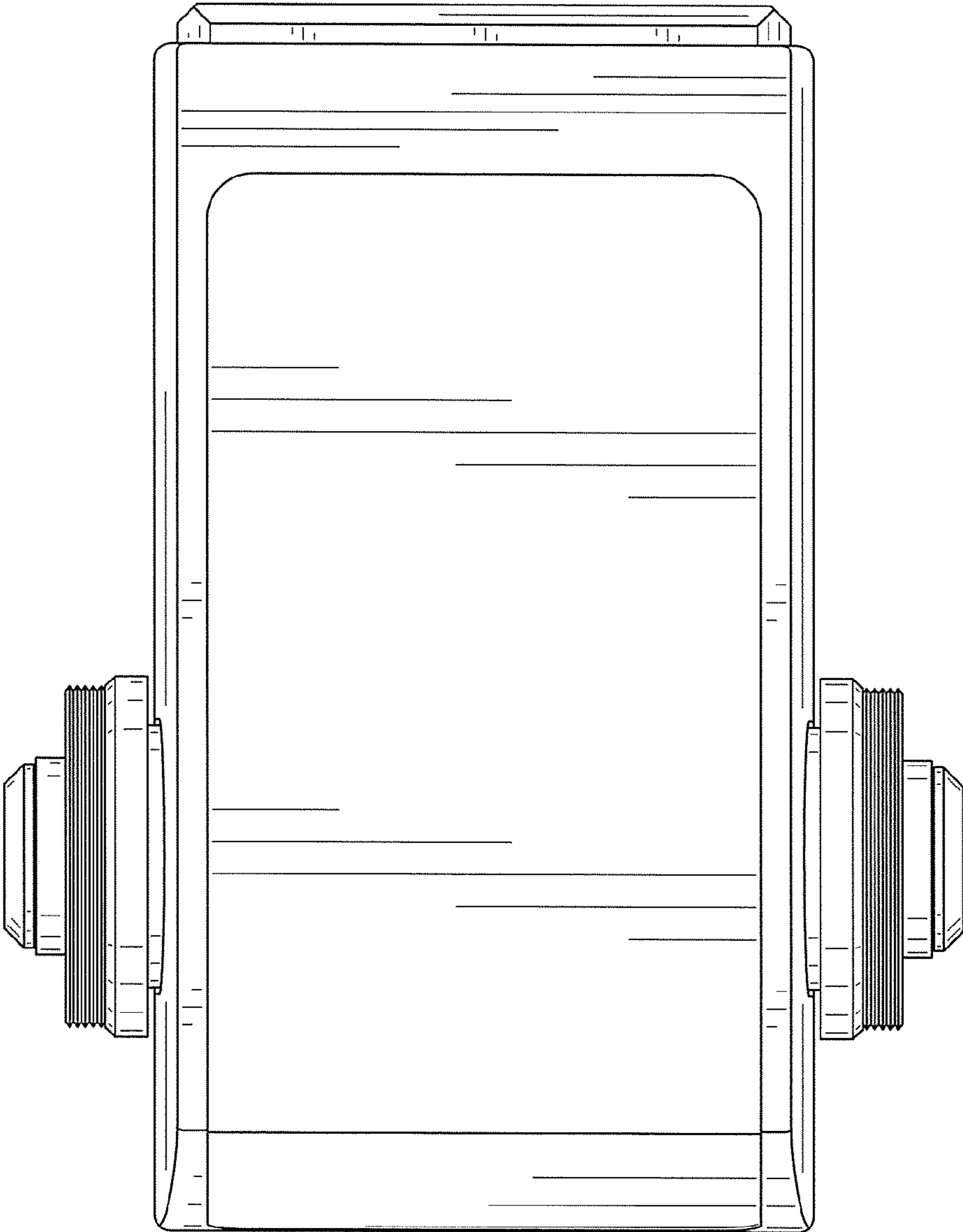


FIG. 6

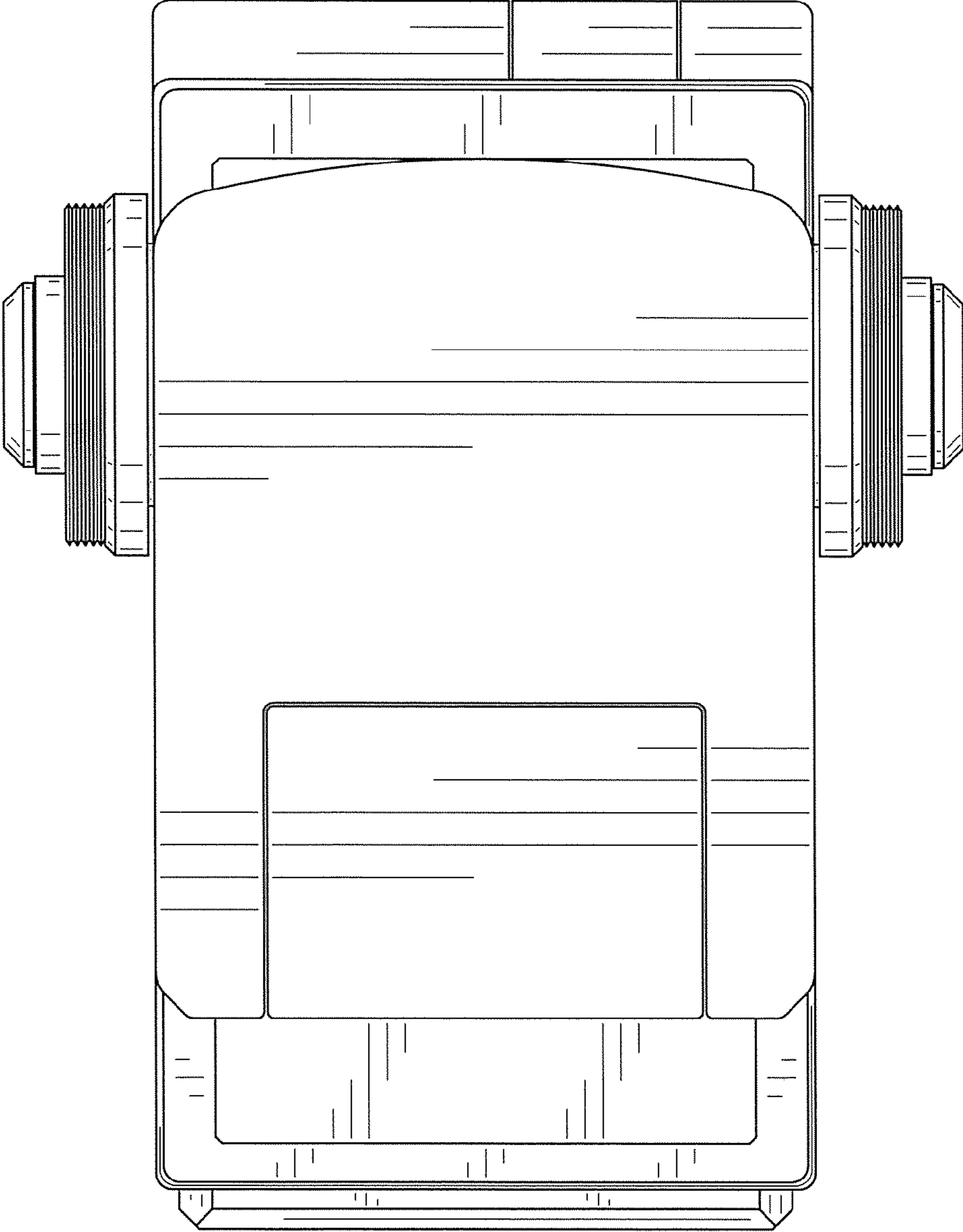


FIG. 7