



US00D731909S

(12) **United States Design Patent**
Weakly

(10) **Patent No.:** **US D731,909 S**
(45) **Date of Patent:** **** Jun. 16, 2015**

(54) **DETECTOR**

(71) Applicant: **Chemring Detection Systems, Inc.**,
Charlotte, NC (US)

(72) Inventor: **Matthew Todd Weakly**, Fort Mill, SC
(US)

(73) Assignee: **Chemring Detection Systems, Inc.**,
Charlotte, NC (US)

(**) Term: **14 Years**

(21) Appl. No.: **29/467,707**

(22) Filed: **Sep. 23, 2013**

(51) **LOC (10) Cl.** **10-04**

(52) **U.S. Cl.**
USPC **D10/81**

(58) **Field of Classification Search**
USPC D10/81; 250/459.1, 461.1;
356/301-336, 417, 440
CPC G01J 1/44; G01J 3/02; G01J 3/0229;
G01J 3/0232; G01J 3/0256; G01J 3/0264;
G01J 3/0286; G01J 3/0297; G01J 3/1895;
G01J 3/4338; G01J 3/44; G01J 3/0272;
G01J 3/0208; G01J 3/0291; G01J 3/443;
G01J 3/463; G01J 3/502

See application file for complete search history.

(56) **References Cited**

U.S. PATENT DOCUMENTS

D225,005 S * 10/1972 Greene D10/81
4,968,143 A * 11/1990 Weston 356/328

D338,417 S * 8/1993 Van Aken et al. D10/81
5,483,339 A * 1/1996 Van Aken et al. 356/326
5,774,209 A * 6/1998 Shestock 356/73
6,897,951 B2 * 5/2005 Womble et al. 356/301
7,236,243 B2 * 6/2007 Beecroft et al. 356/328
D551,103 S * 9/2007 Hebert et al. D10/81
7,586,602 B2 * 9/2009 Maity et al. 356/301
7,605,920 B2 * 10/2009 LeBoeuf et al. 356/417
8,184,287 B2 * 5/2012 Hamilton et al. 356/311
8,355,126 B2 * 1/2013 Goulter et al. 356/318

* cited by examiner

Primary Examiner — Antoine D Davis

(74) *Attorney, Agent, or Firm* — Finnegan, Henderson,
Farabow, Garrett & Dunner, L.L.P.

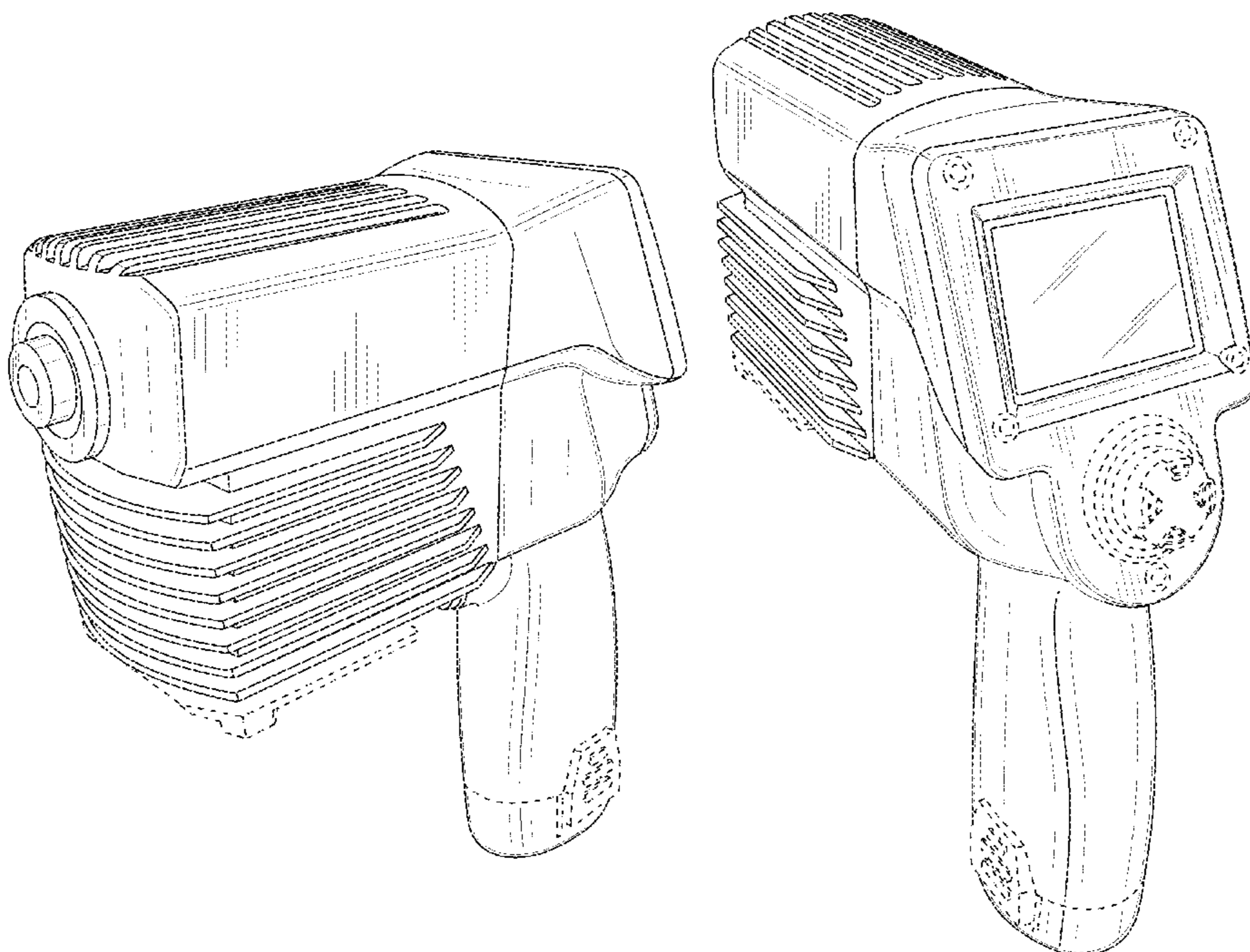
(57) **CLAIM**

The ornamental design for a detector, as shown and described.

DESCRIPTION

FIG. 1 is a front perspective view of a detector showing my new design;
FIG. 2 is a rear perspective view thereof;
FIG. 3 is a front view thereof;
FIG. 4 is a rear view thereof;
FIG. 5 is a right side view thereof;
FIG. 6 is a left side view thereof;
FIG. 7 is a top view thereof; and,
FIG. 8 is a bottom view thereof.
The portions depicted in broken lines are environment and the elements depicted in broken lines form no part of the claimed design.

1 Claim, 8 Drawing Sheets



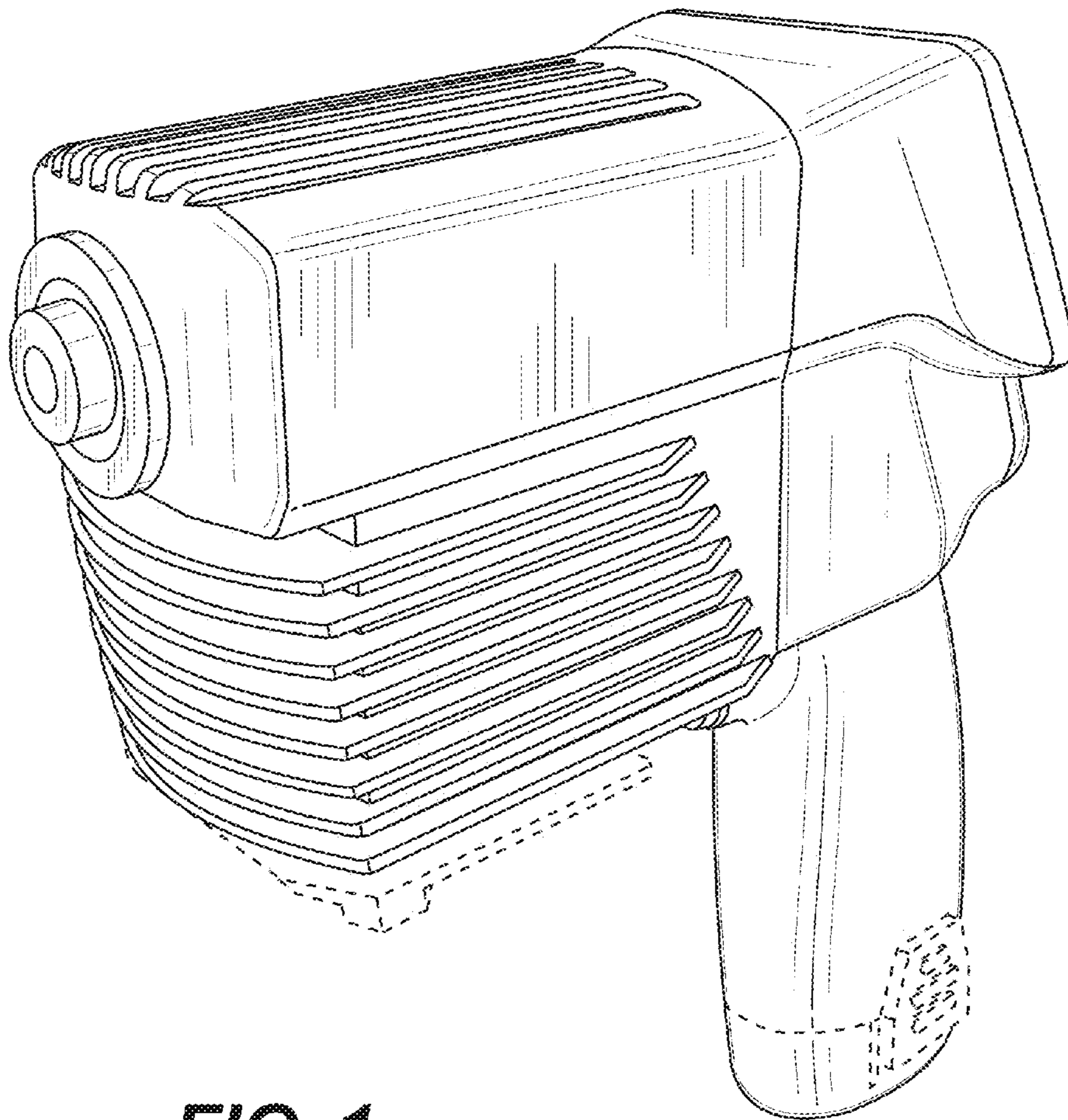


FIG. 1

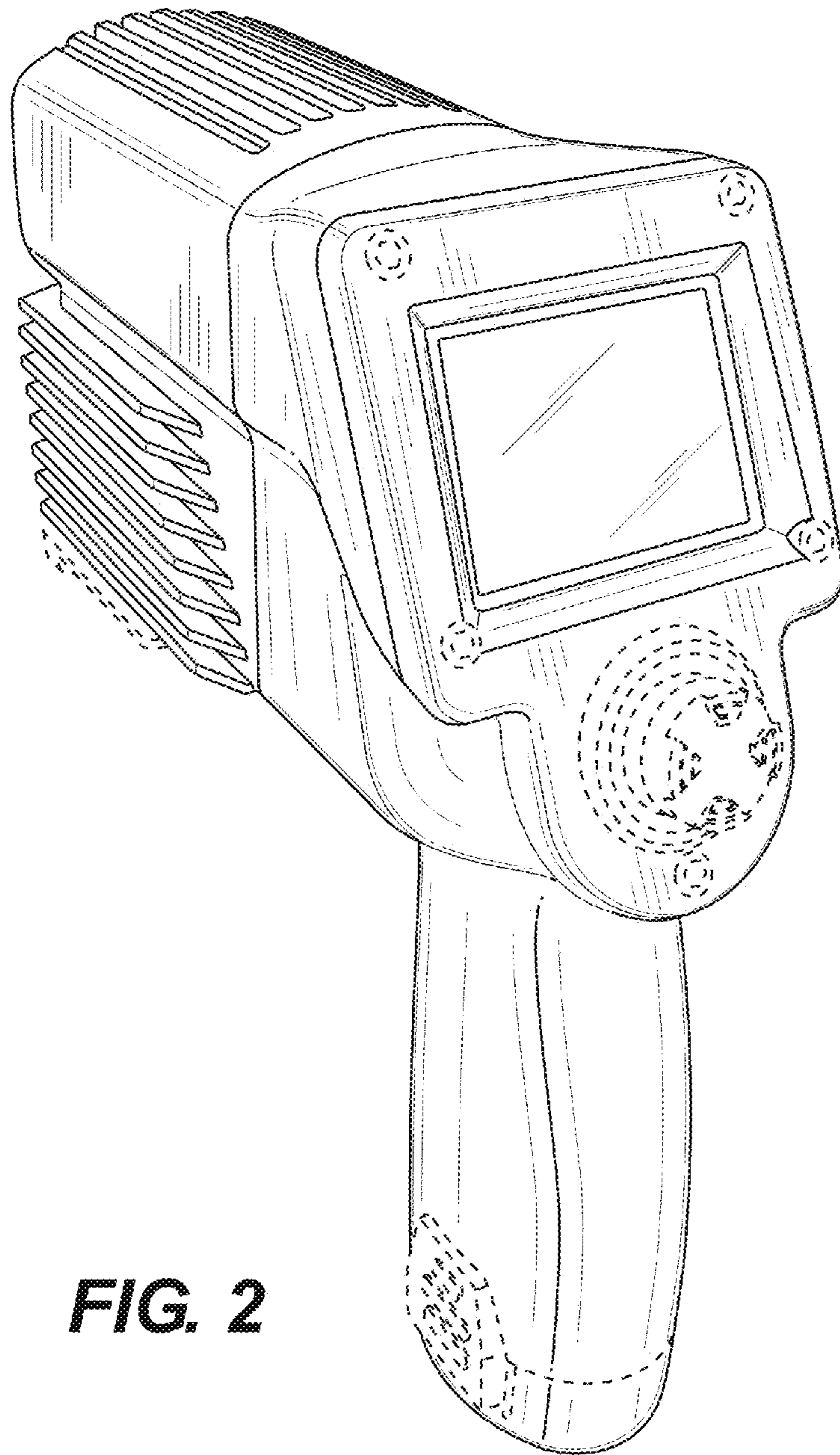


FIG. 2

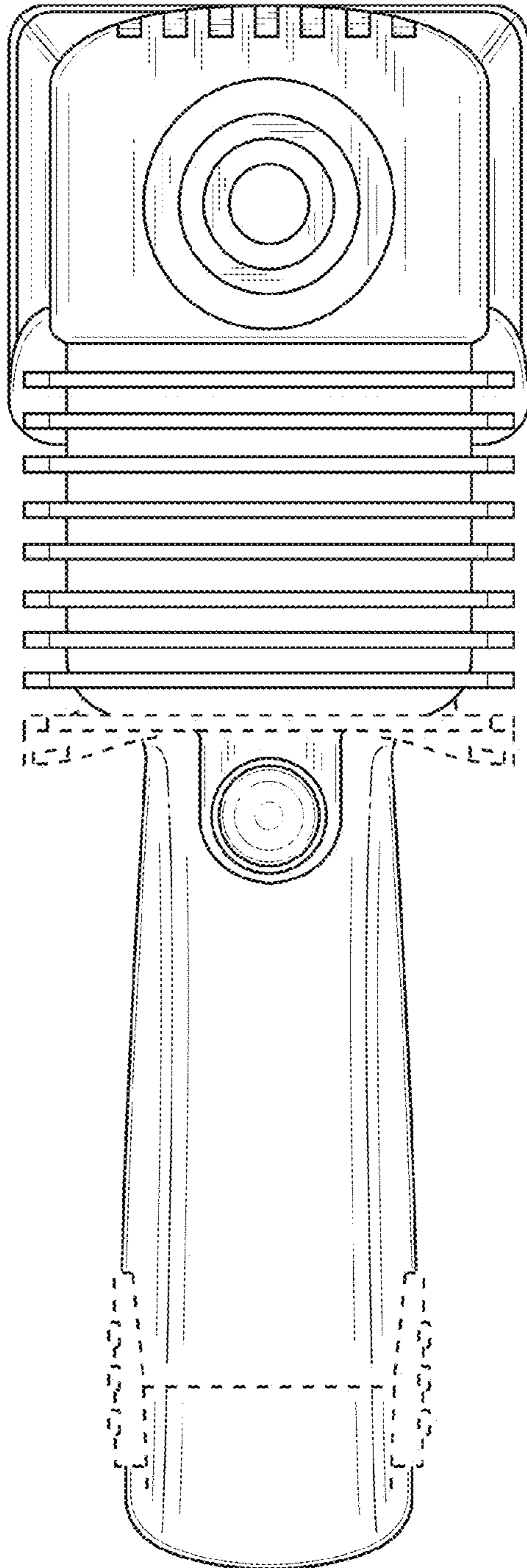


FIG. 3

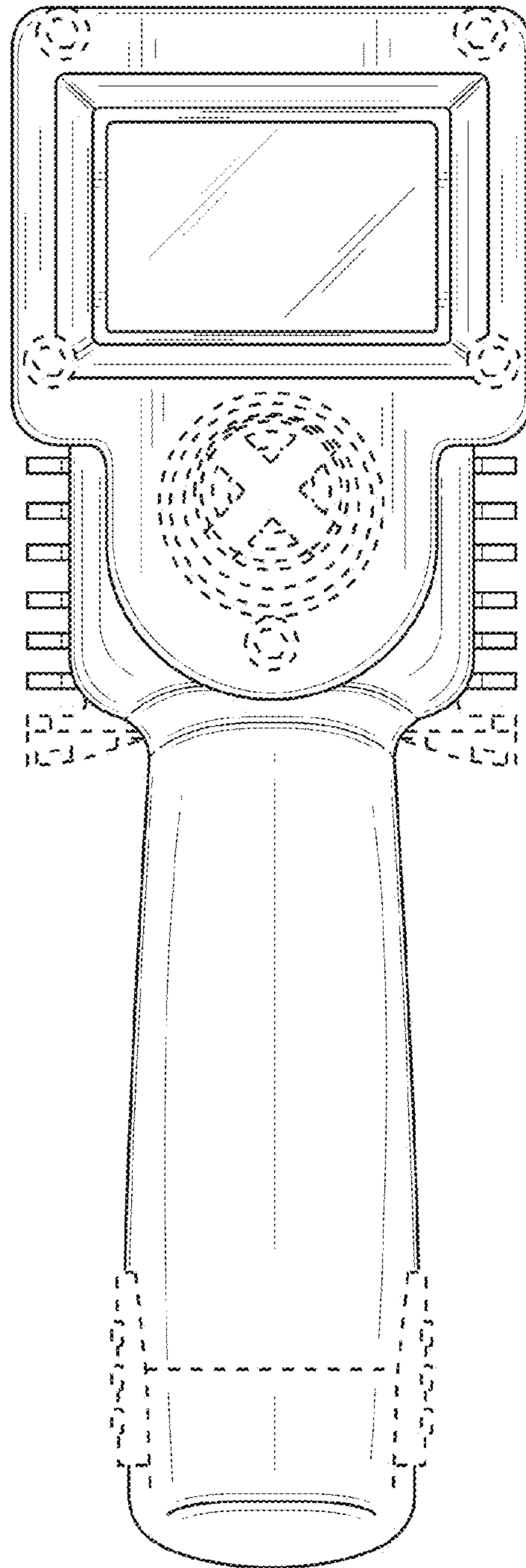


FIG. 4

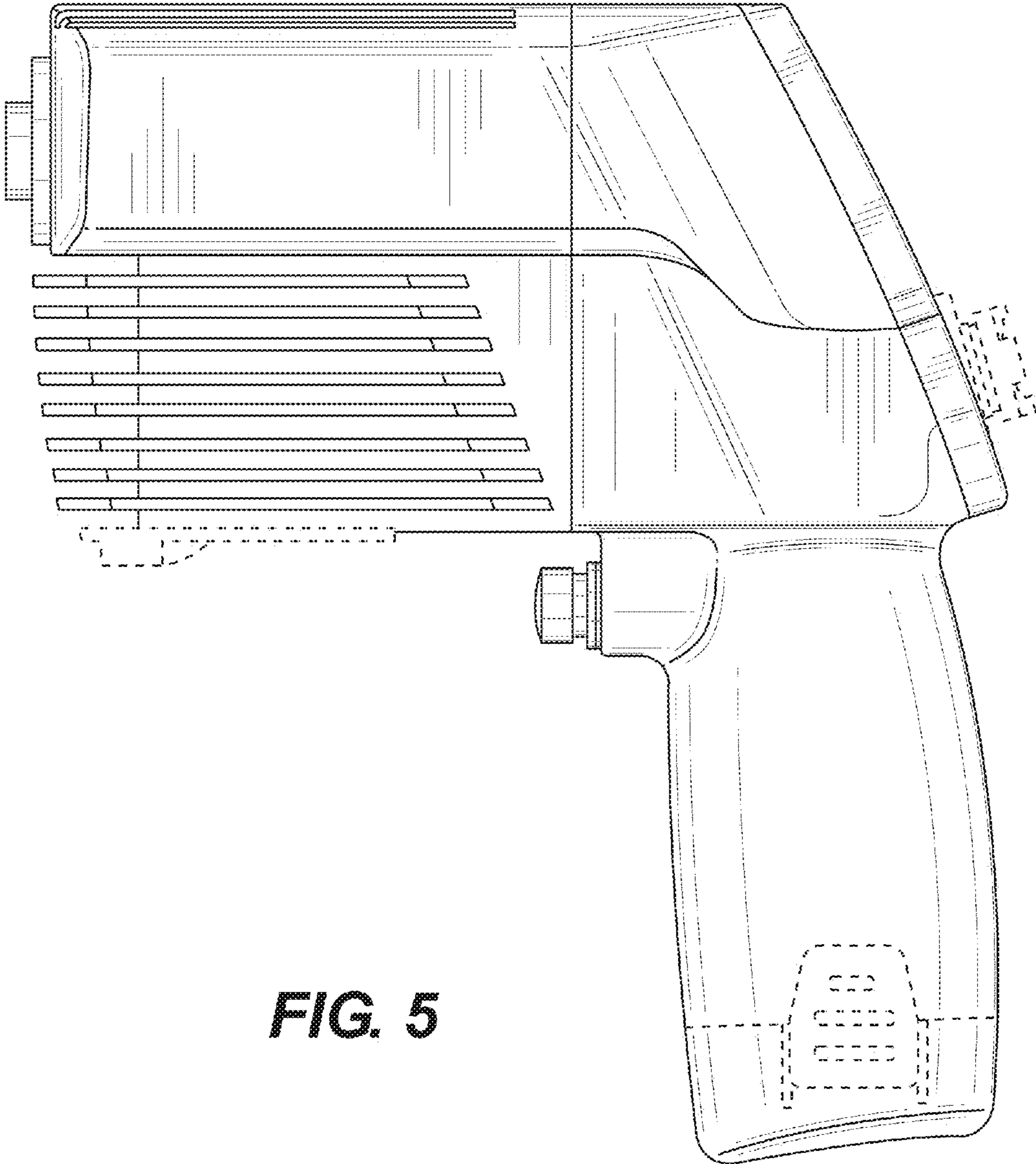


FIG. 5

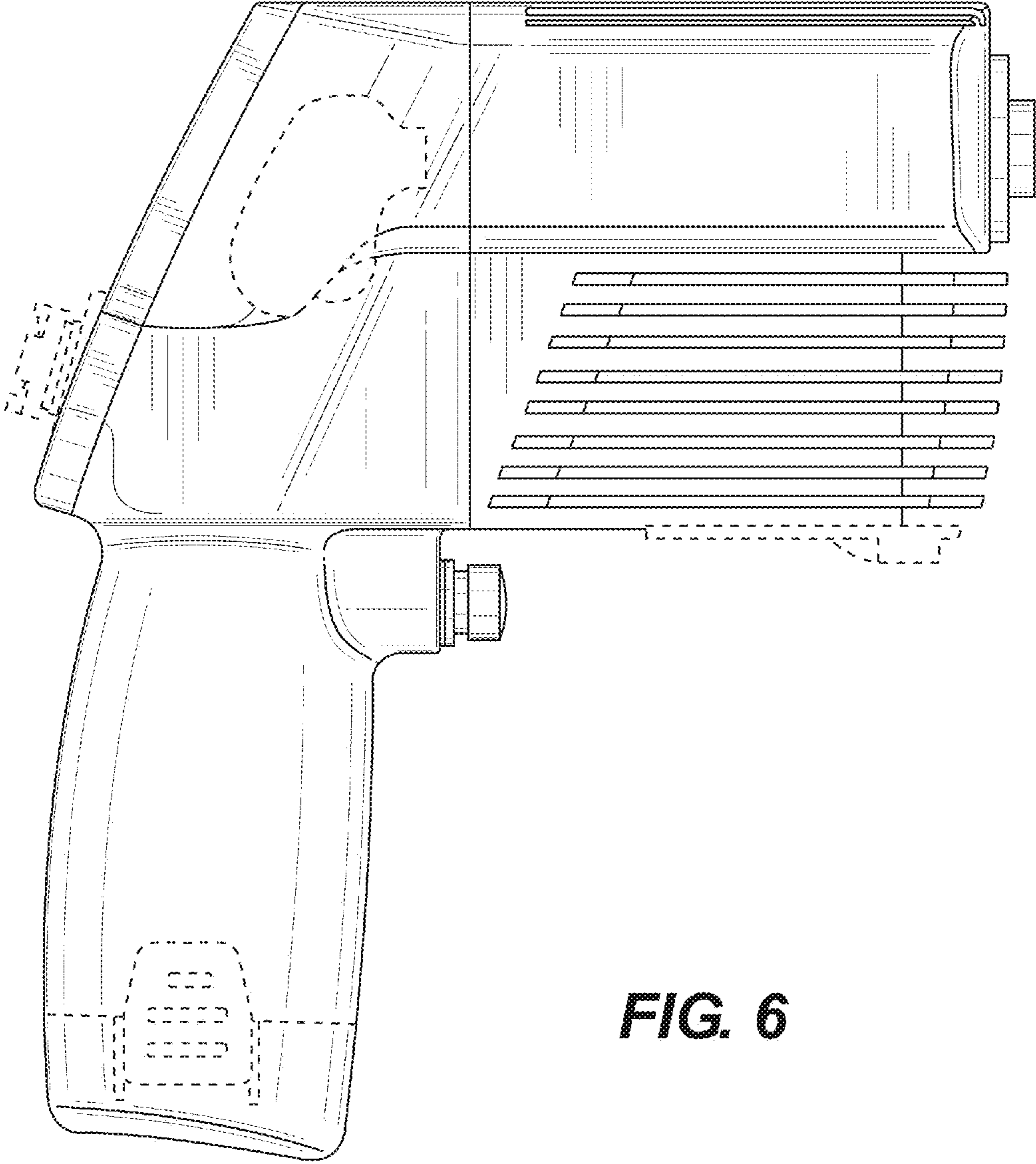


FIG. 6

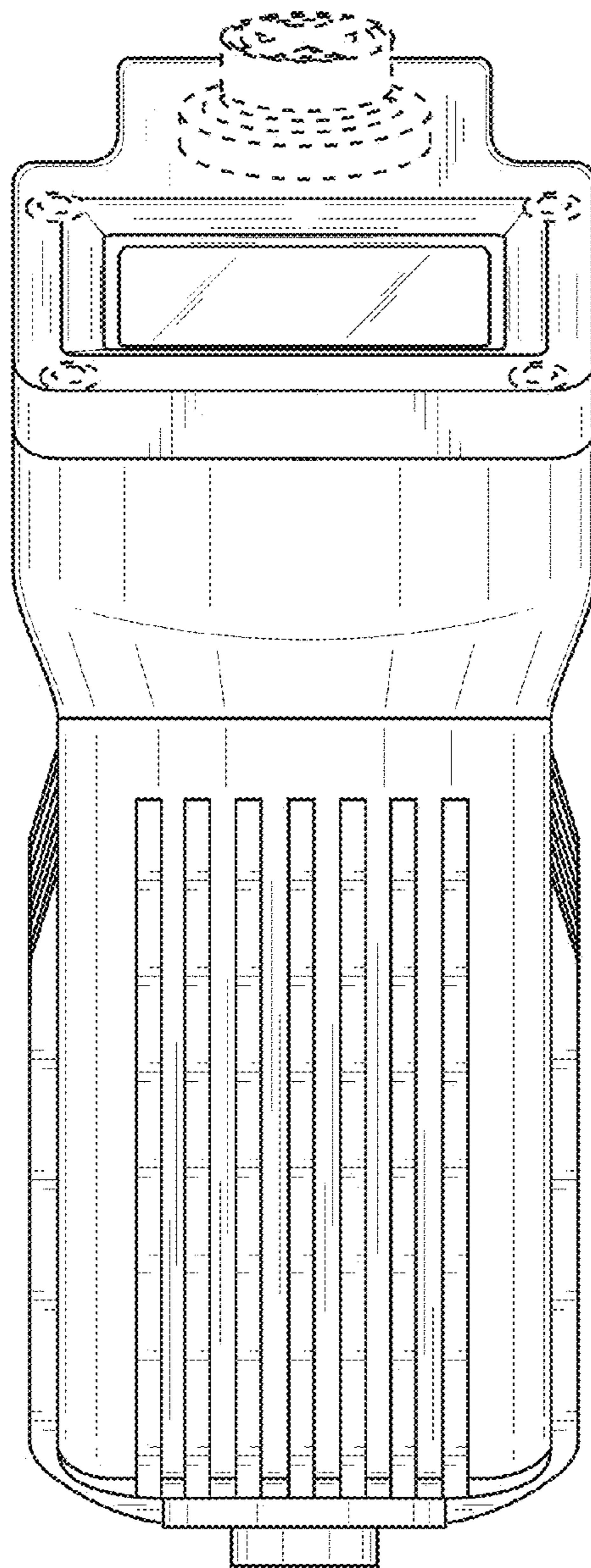


FIG. 7

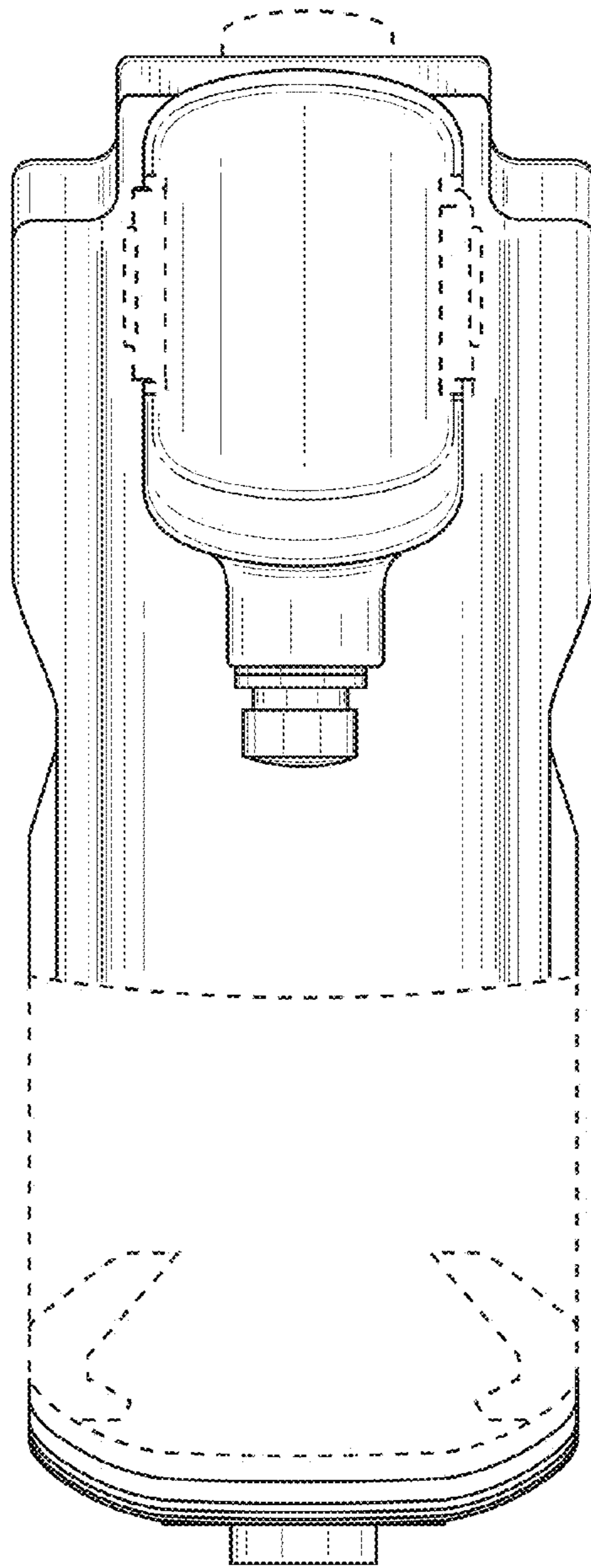


FIG. 8