



US00D731905S

(12) **United States Design Patent**  
**Olivieri et al.**

(10) **Patent No.:** **US D731,905 S**  
(45) **Date of Patent:** **\*\* \*Jun. 16, 2015**

(54) **HOUSING FOR A NAVIGATION DEVICE**

*Primary Examiner* — Antoine D Davis

(71) Applicant: **Deere & Company**, Moline, IL (US)

(72) Inventors: **Pablo G Olivieri**, Downey, CA (US);  
**Stephen Piltingsrud**, Fargo, ND (US);  
**Mark D Schmaltz**, Fargo, ND (US)

(73) Assignee: **DEERE & COMPANY**, Moline, IL (US)

(\*) Notice: This patent is subject to a terminal disclaimer.

(\*\*) Term: **14 Years**

(21) Appl. No.: **29/496,079**

(22) Filed: **Jul. 9, 2014**

(51) **LOC (10) Cl.** ..... **10-04**

(52) **U.S. Cl.**  
USPC ..... **D10/65; D10/70**

(58) **Field of Classification Search**  
USPC ..... D10/65, 70  
CPC ..... G08G 4/096883; G08G 1/096872;  
G08G 1/096775; G01C 21/16; G01C 21/3688;  
G01C 21/30; G01V 8/20; G01J 5/02; G01J  
5/023; G01J 5/24; G01J 5/10; G01J 5/20;  
G01J 5/0235; G01J 5/08; G01J 5/0853;  
G01J 5/33; G01J 5/34  
See application file for complete search history.

(56) **References Cited**

**U.S. PATENT DOCUMENTS**

D343,362 S 1/1994 Soren et al.  
D385,564 S 10/1997 Serksnis et al.

(Continued)

**OTHER PUBLICATIONS**

GreenStar™ Ag Management Solutions. Product Brochure [online].  
John Deere, 2008 [retrieved Feb. 2015]. Retrieved from the Internet:  
<[http://www.deere.com/en\\_US/docs/html/brochures/publication.html?id=dcbf8dee#30](http://www.deere.com/en_US/docs/html/brochures/publication.html?id=dcbf8dee#30)>.

(57) **CLAIM**

The ornamental design for a housing for a navigation device, as shown and described.

**DESCRIPTION**

The patent file contains at least one drawing executed in color. Copies of the patent file with color drawing(s) will be provided by the Patent Office upon request and payment of the necessary fee.

FIG. 1 is a perspective front view of a housing for a navigation device of the present invention.

FIG. 2 is a perspective rear view of the housing for a navigation device of FIG. 1.

FIG. 3 is a perspective bottom, front view of the housing for a navigation device of FIG. 1.

FIG. 4 is a perspective bottom, rear view of the housing for a navigation device of FIG. 1.

FIG. 5 is a top view of the housing for a navigation device of FIG. 1.

FIG. 6 is a right side view of the housing for a navigation device of FIG. 1.

FIG. 7 is a left side view of the housing for a navigation device of FIG. 1.

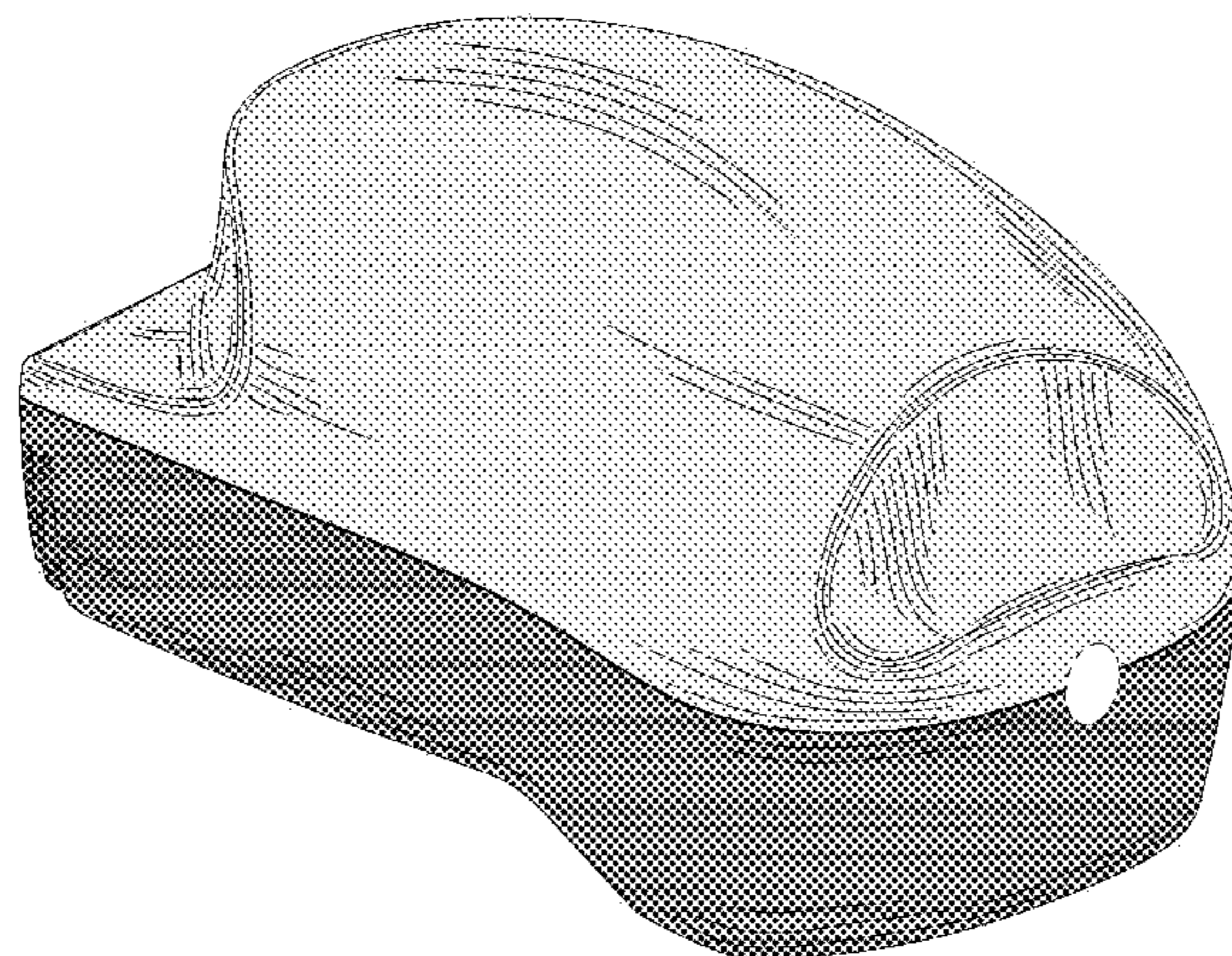
FIG. 8 is a bottom view of the housing for a navigation device of FIG. 1.

FIG. 9 is a front view of the housing for a navigation device of FIG. 1; and,

FIG. 10 is a rear view of the housing for a navigation device of FIG. 1.

The ornamental design which is claimed is shown in solid lines in the drawings. The portions of the design shown in broken lines or dashed lines are included for the purpose of illustrating environment and form no part of the claimed design. However, Applicant(s) reserve the right to incorporate the unclaimed features, in whole or in part, into the claimed design. Moreover, Applicant(s) reserve the right to disclaim one or more features, in whole or in part, of the claimed design as originally filed.

**1 Claim, 7 Drawing Sheets**  
**(7 of 7 Drawing Sheet(s) Filed in Color)**



(56)

**References Cited**

U.S. PATENT DOCUMENTS

D406,071 S 2/1999 Dawson et al.  
D428,876 S 8/2000 Renkis  
D465,214 S 11/2002 Mirabelli et al.  
D469,367 S 1/2003 Mirabelli et al.  
D471,539 S 3/2003 Warner et al.

D516,443 S 3/2006 Gotou et al.  
D532,323 S 11/2006 Gotou et al.  
D540,205 S 4/2007 Hsu  
D559,233 S 1/2008 Tang  
D582,806 S 12/2008 Schmid-Schweiger  
D638,317 S \* 5/2011 Nguyen et al. .... D10/65  
D656,047 S \* 3/2012 Dyer ..... D10/70  
D697,438 S 1/2014 Rector, III

\* cited by examiner



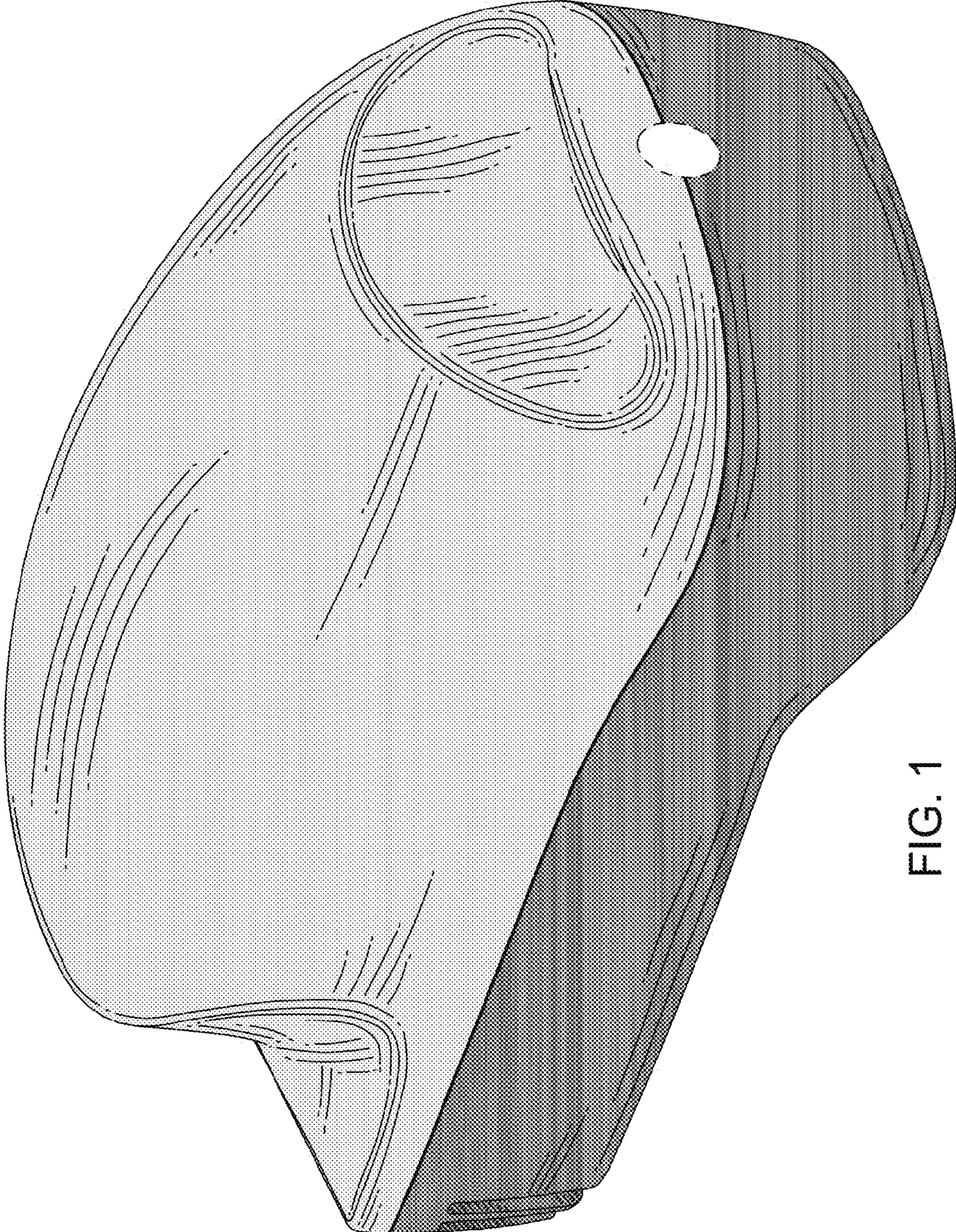


FIG. 1



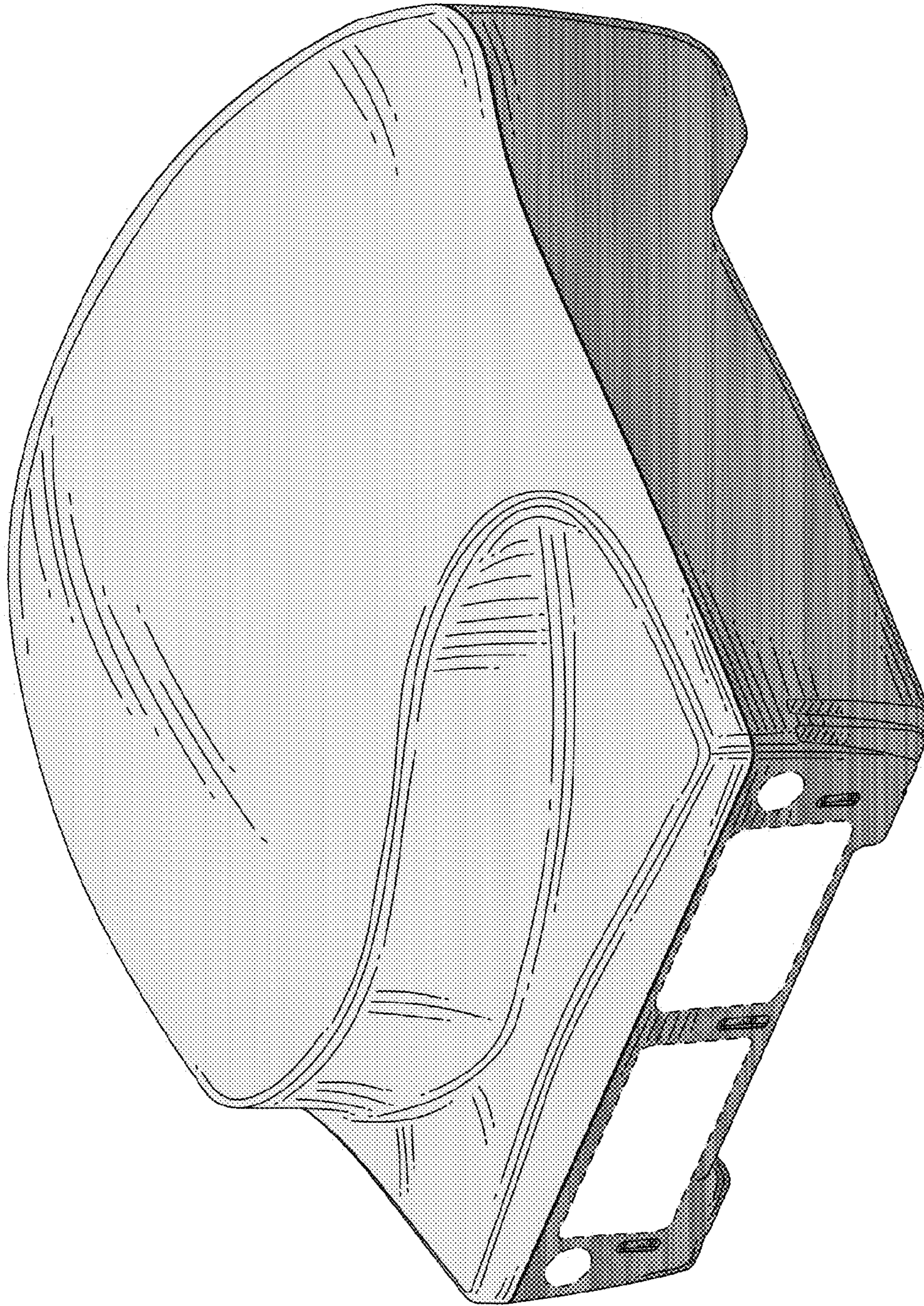


FIG. 2



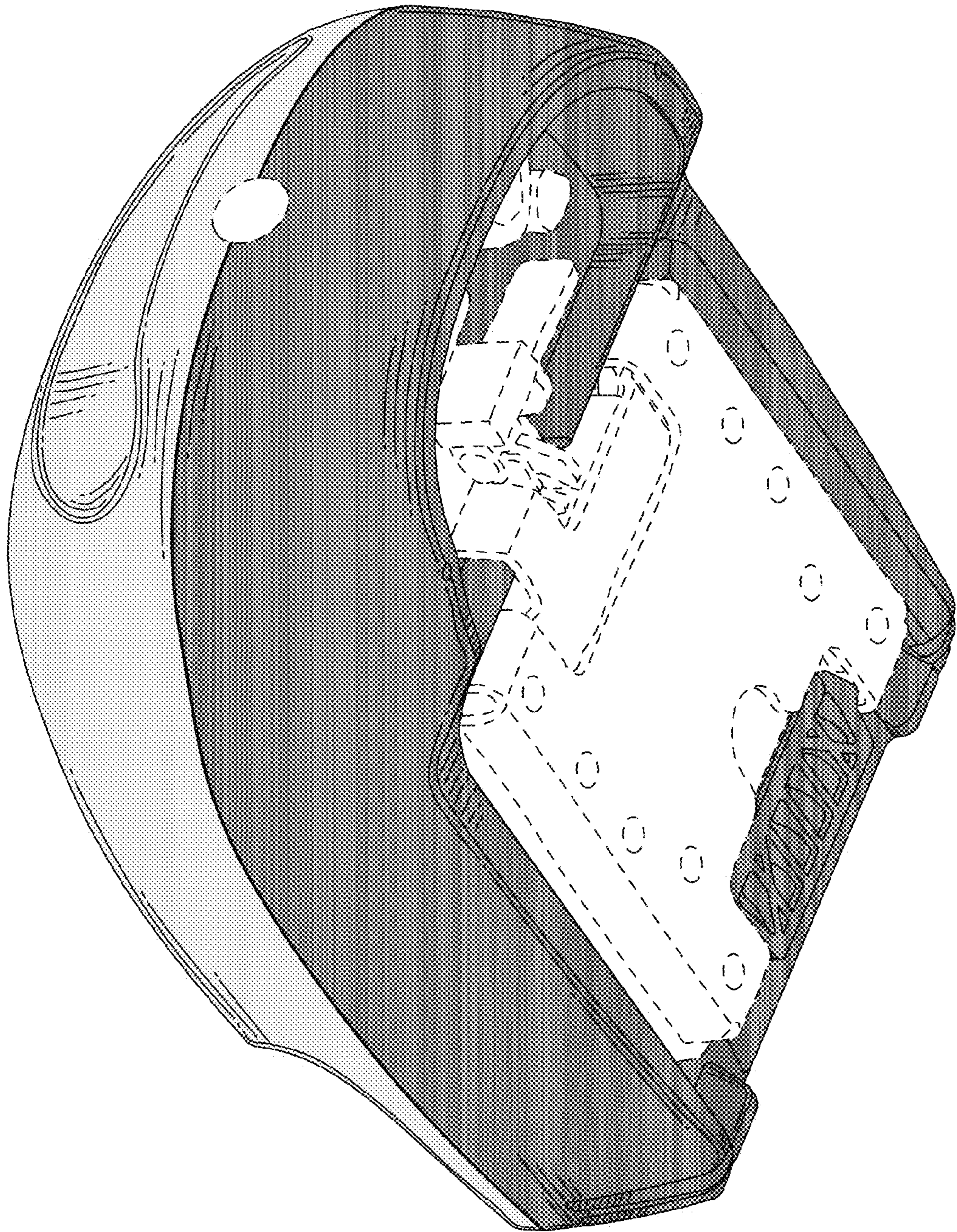


FIG. 3



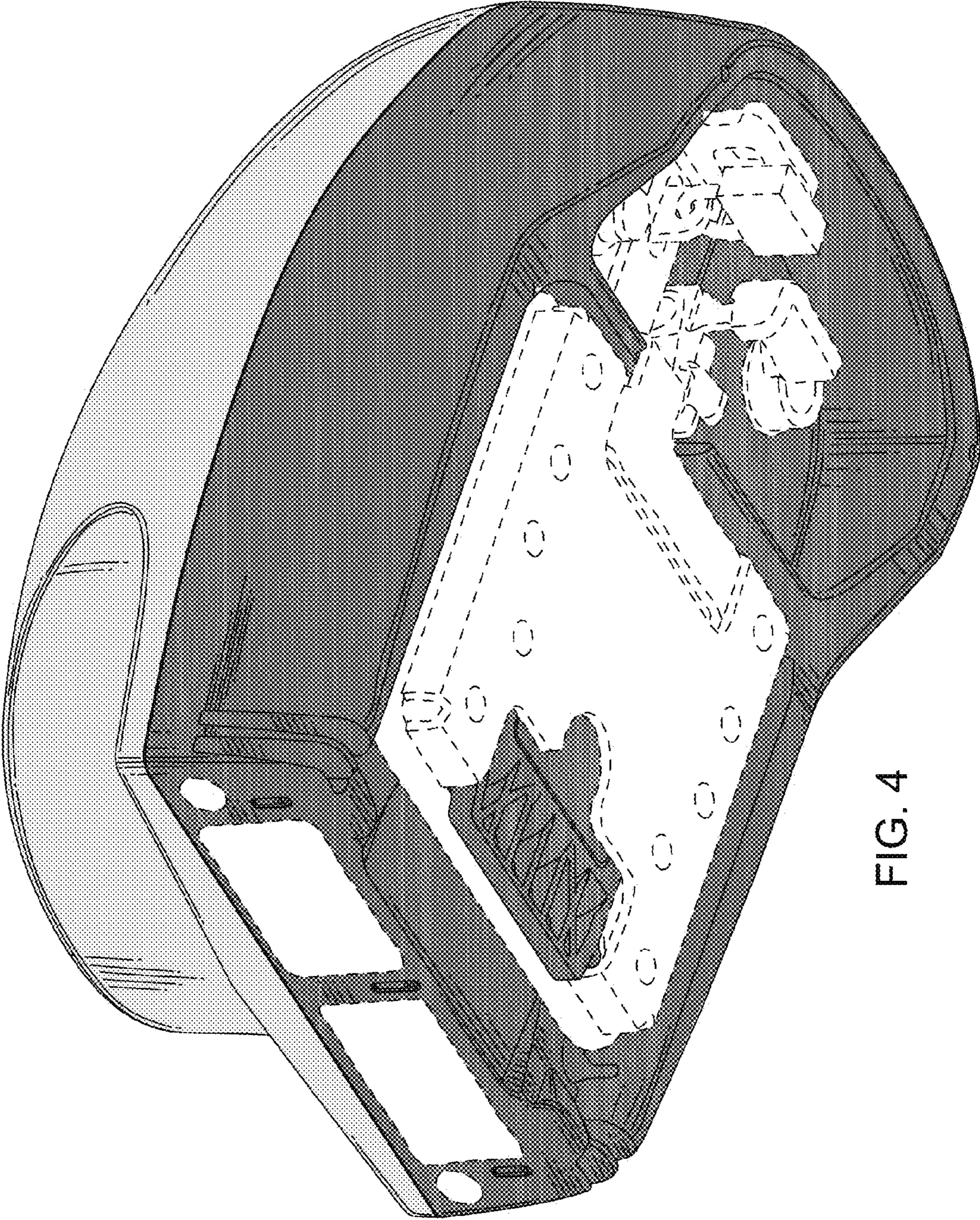


FIG. 4



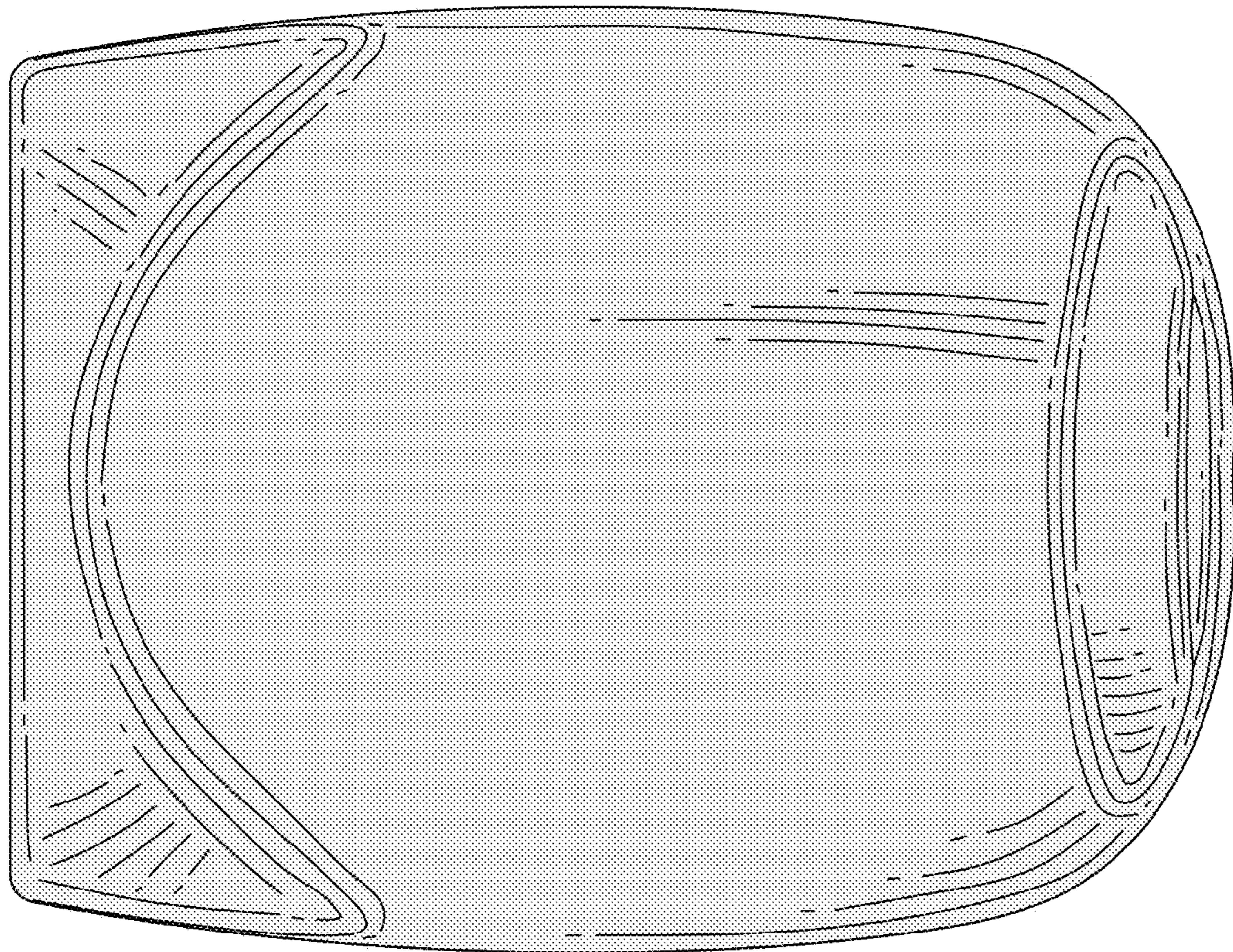


FIG. 5

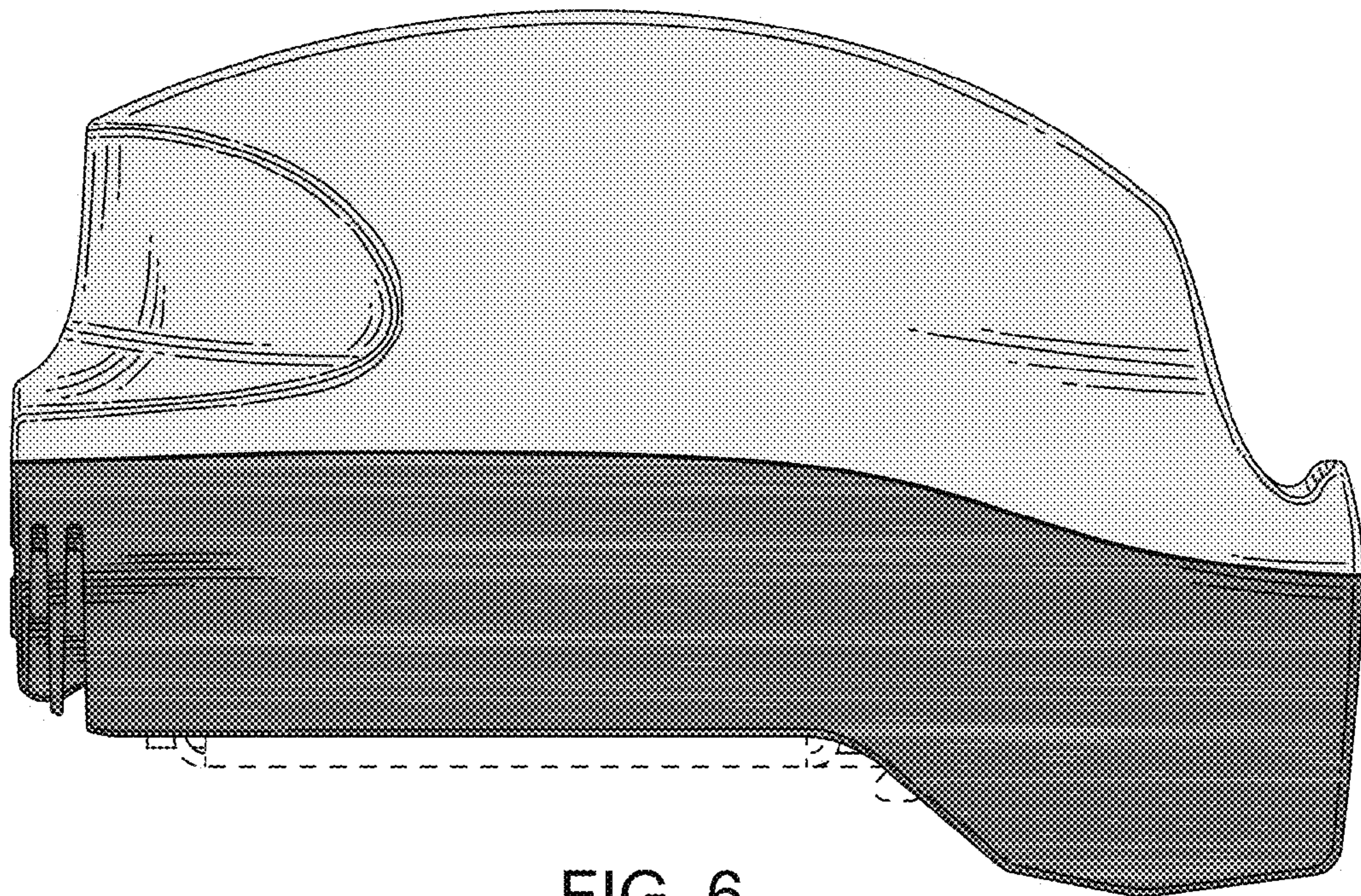


FIG. 6



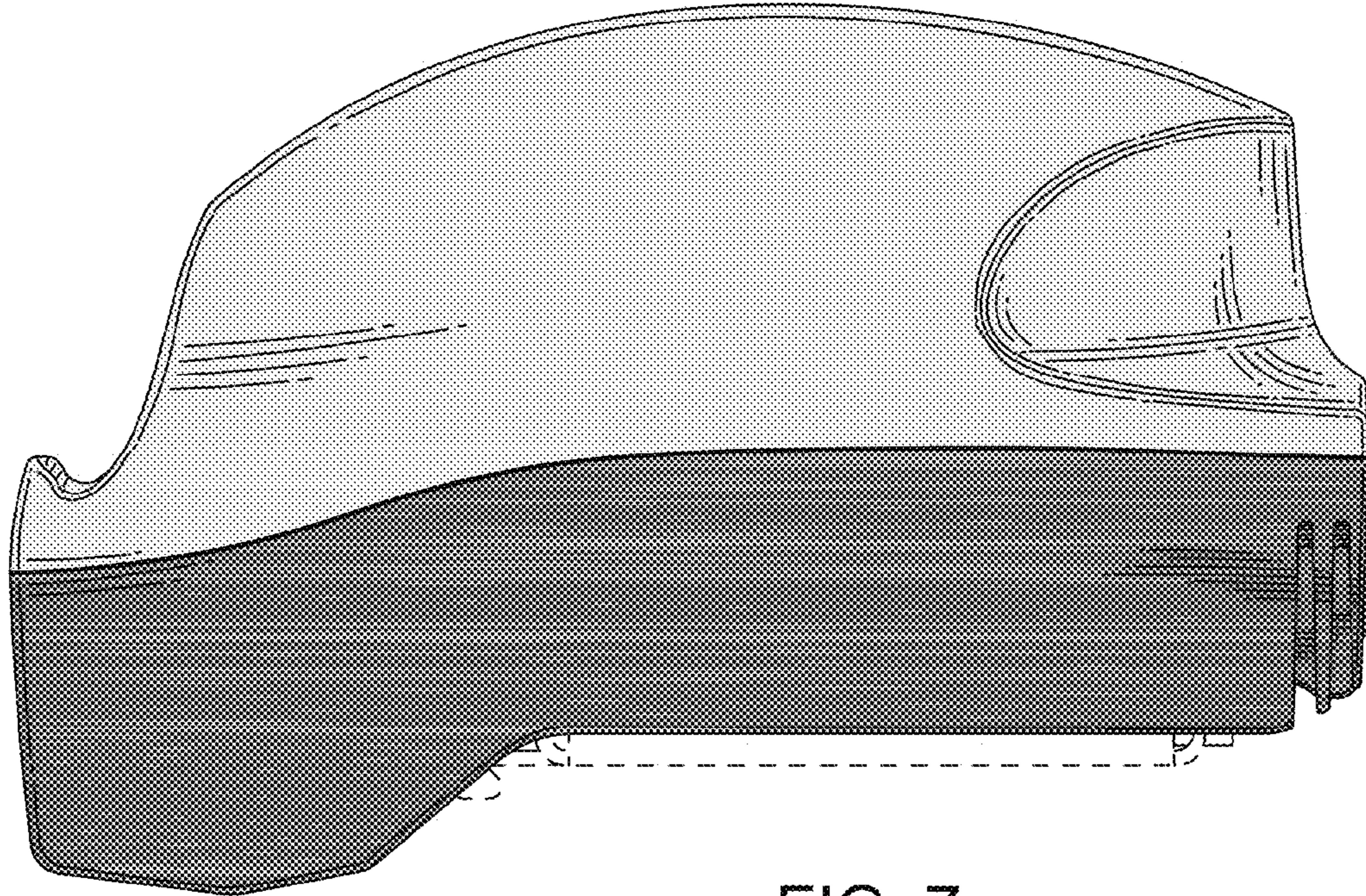


FIG. 7

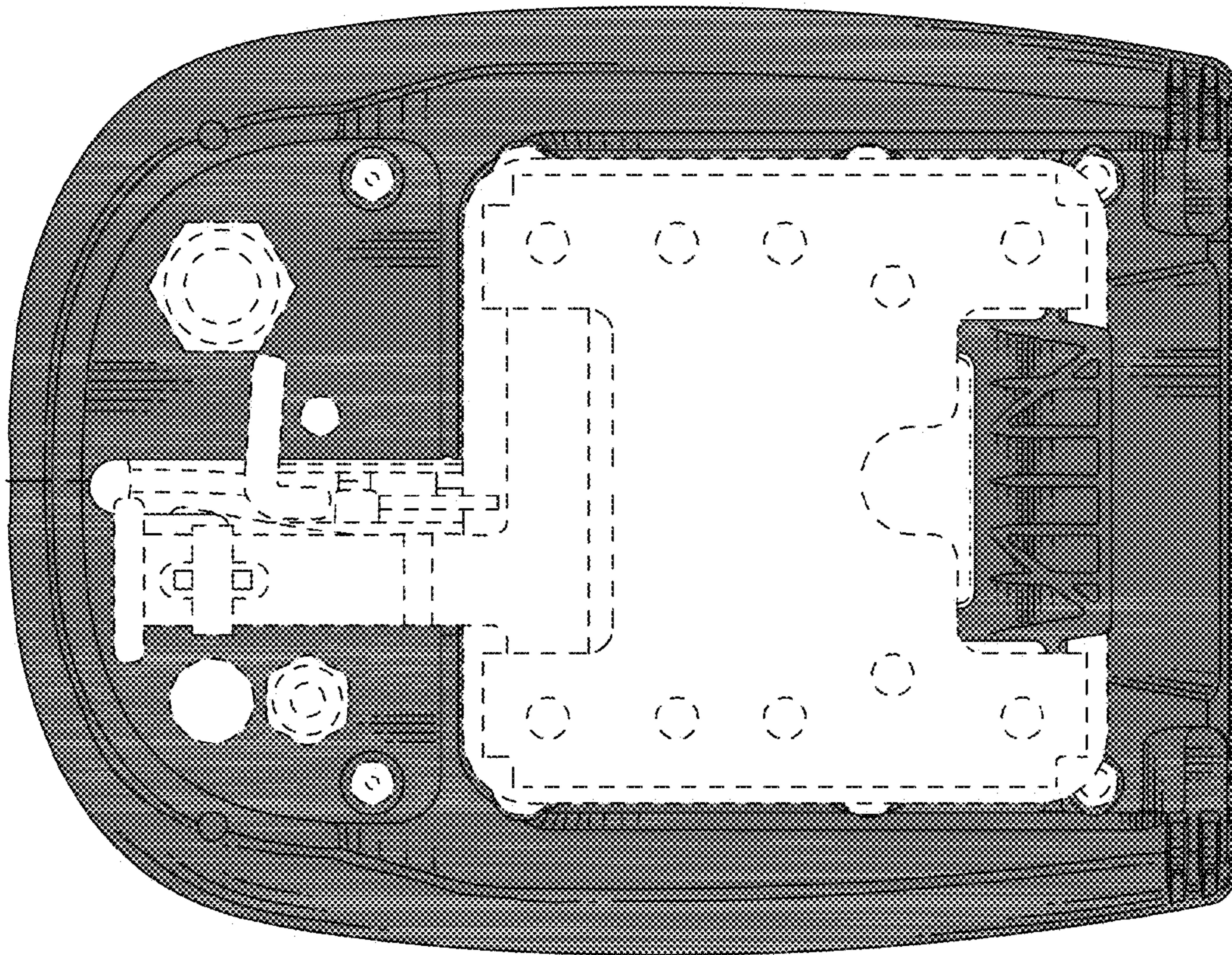


FIG. 8



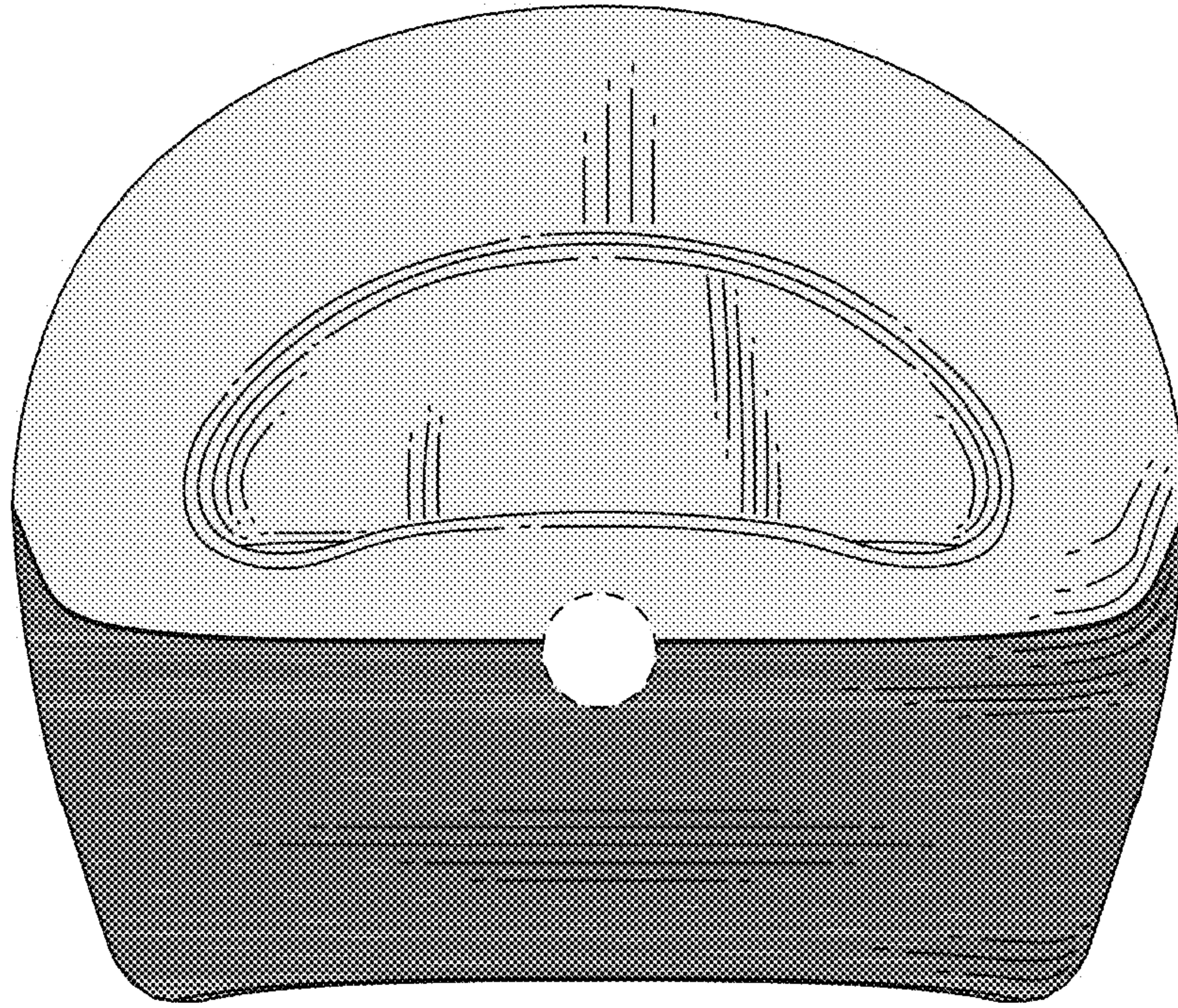


FIG. 9

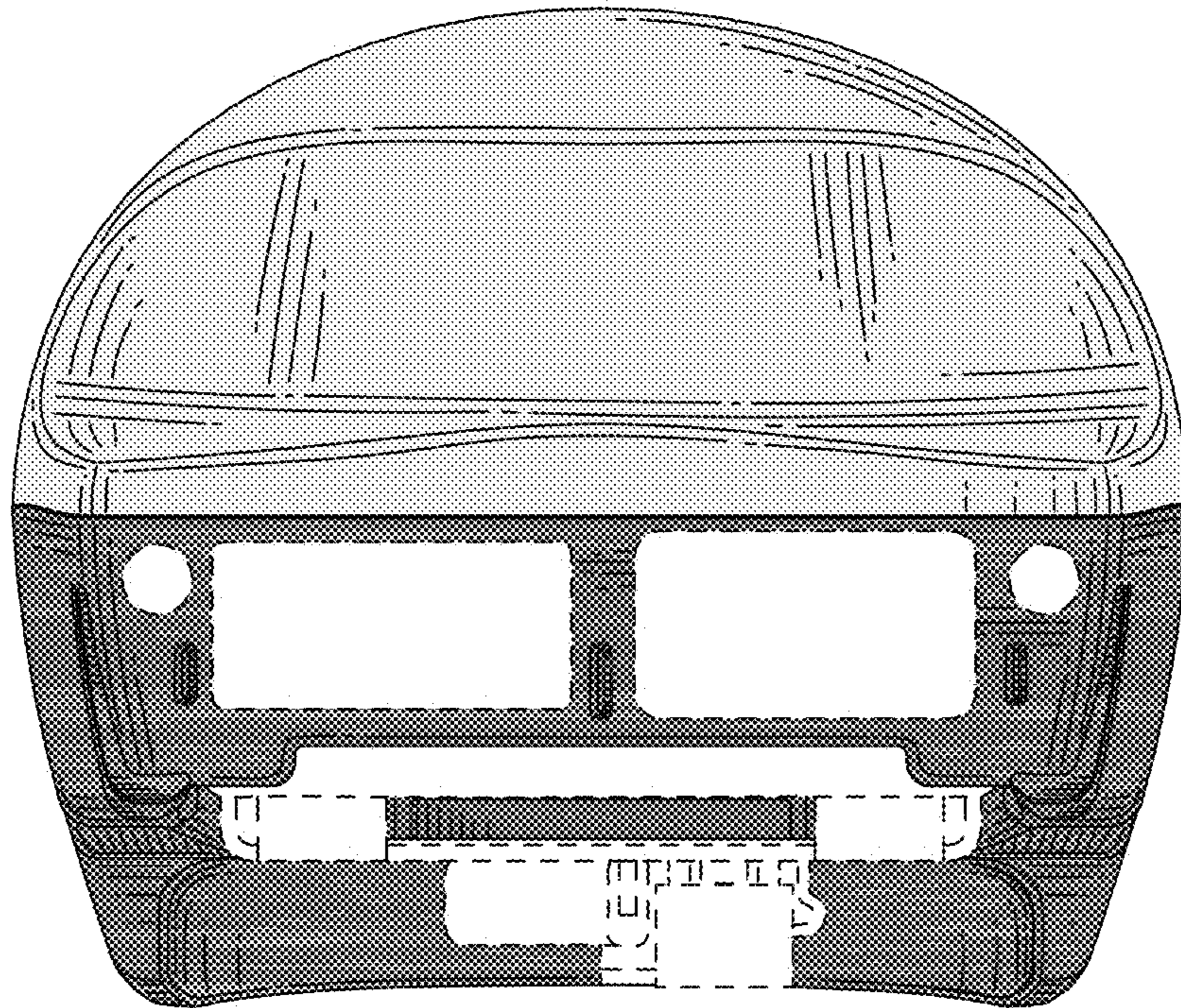


FIG. 10