



US00D731904S

(12) **United States Design Patent**
Stohr et al.

(10) **Patent No.:** **US D731,904 S**
(45) **Date of Patent:** **** Jun. 16, 2015**

(54) **COORDINATE MEASURING MACHINE**

(71) Applicant: **Hexagon Metrology Vision GmbH**,
Saarwellingen (DE)

(72) Inventors: **Martin Stohr**, Jena (DE); **Christian Thomas**, Jena (DE); **Ilka Schlesiger**, Jena (DE)

(73) Assignee: **Hexagon Metrology Vision GmbH**,
Saarwellingen (DE)

(**) Term: **14 Years**

(21) Appl. No.: **29/485,462**

(22) Filed: **Mar. 19, 2014**

(51) **LOC (10) Cl.** **10-04**

(52) **U.S. Cl.**
USPC **D10/63**

(58) **Field of Classification Search**
USPC D10/63
CPC .. G01B 21/047; G01B 21/042; G01B 21/145;
G01B 5/012; G01B 5/008; G01B 11/03;
G01B 11/005; G01B 5/004; G05B 19/00;
G05B 19/407; G05B 2219/36452; G05B
2219/36479; G05B 2219/37193; G05B
2219/3744

See application file for complete search history.

(56) **References Cited**

U.S. PATENT DOCUMENTS

7,051,449 B2 * 5/2006 Eichner et al. 33/503
8,950,078 B2 * 2/2015 Engel 33/503

* cited by examiner

Primary Examiner — Antoine D Davis

(74) *Attorney, Agent, or Firm* — Sunstein Kann Murphy &
Timbers LLP

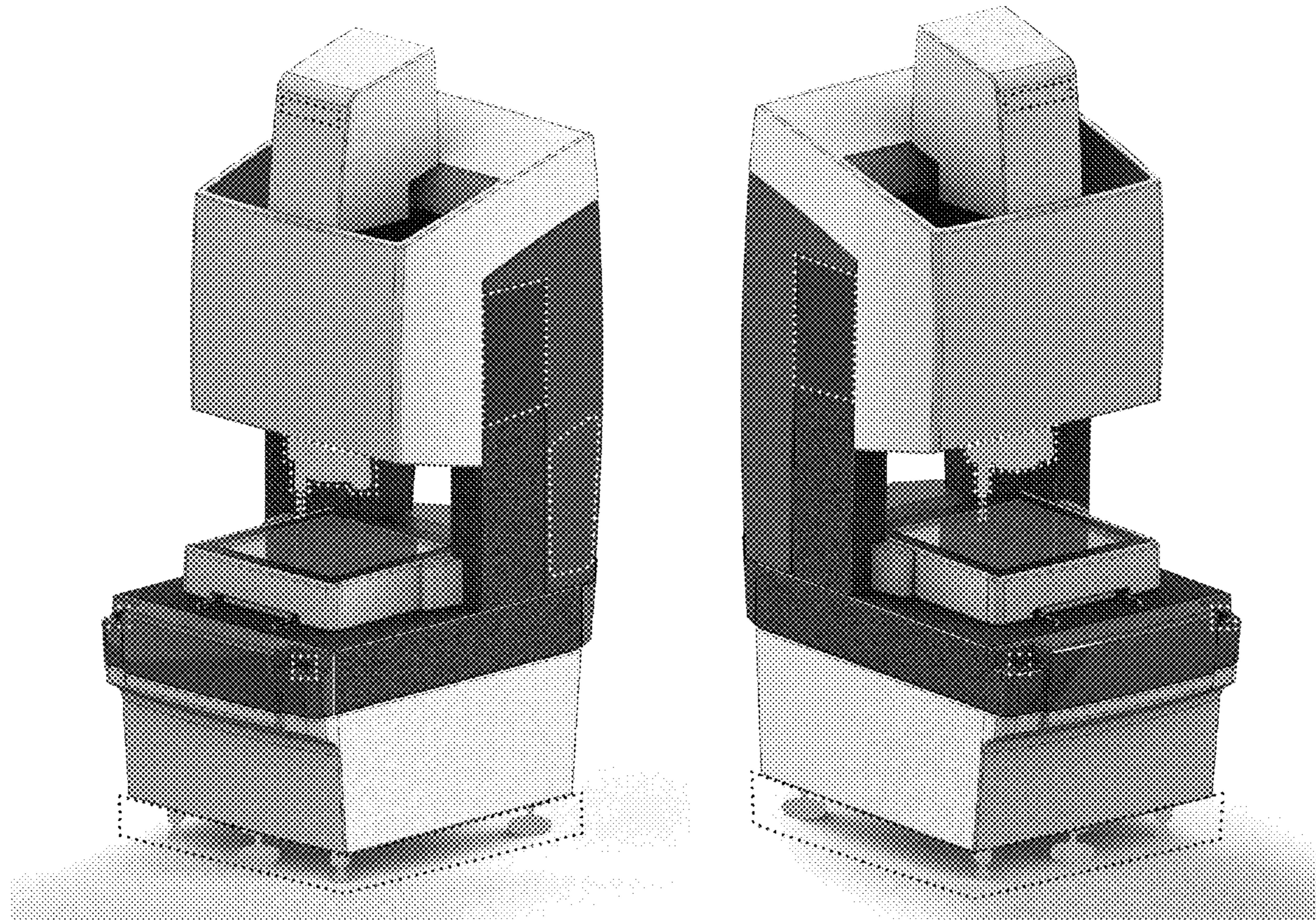
(57) **CLAIM**

The ornamental design for a coordinate measuring machine,
as shown and described.

DESCRIPTION

FIG. 1 is a front view of a coordinate measurement machine;
FIG. 2 is a back view thereof;
FIG. 3 is a left side view thereof;
FIG. 4 is a right side view thereof;
FIG. 5 is a perspective view thereof from the right side; and,
FIG. 6 is a perspective view thereof from the left side.
Broken lines are used to indicate matter that forms no part of
the claimed design.

1 Claim, 6 Drawing Sheets



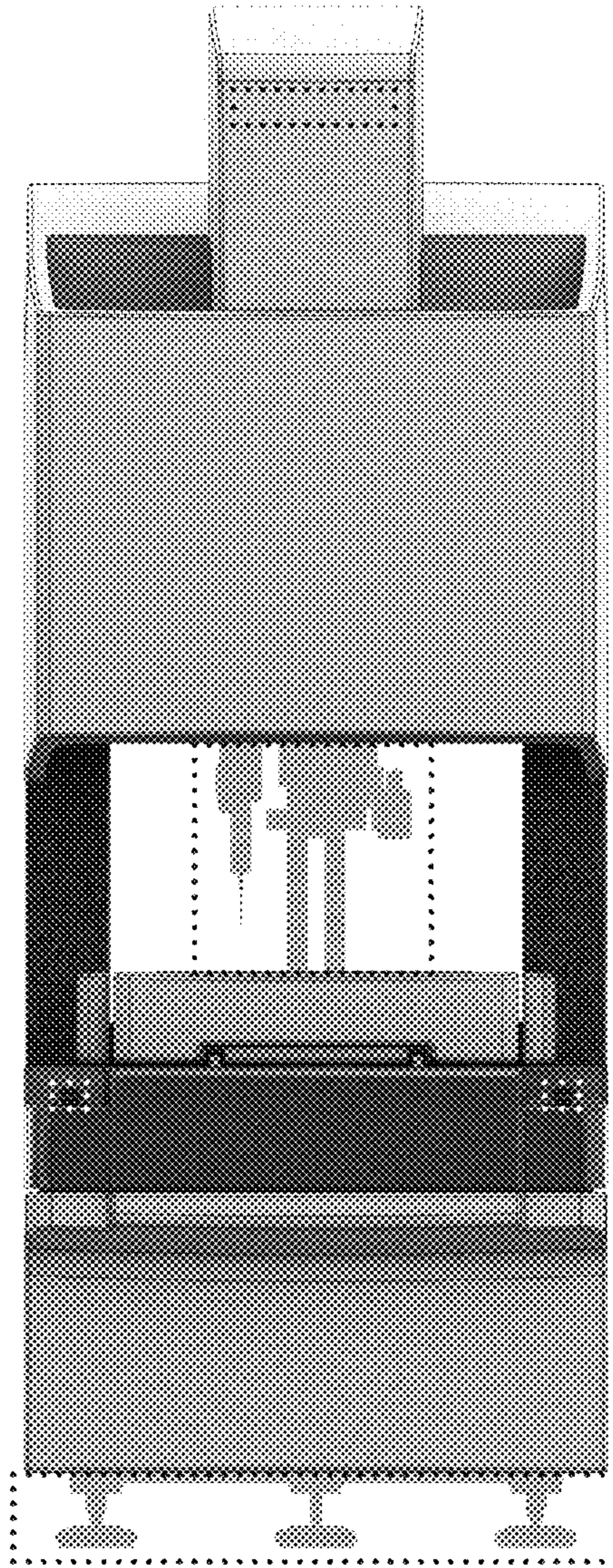


FIG. 1

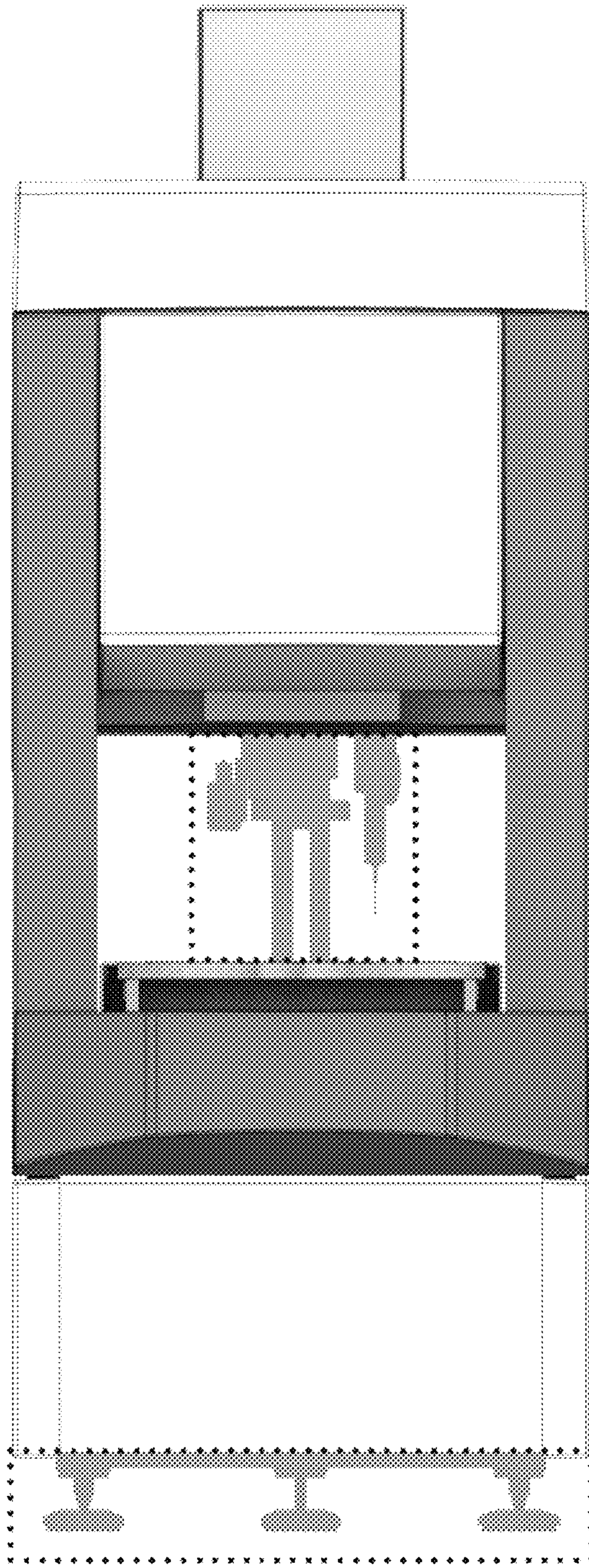


FIG. 2

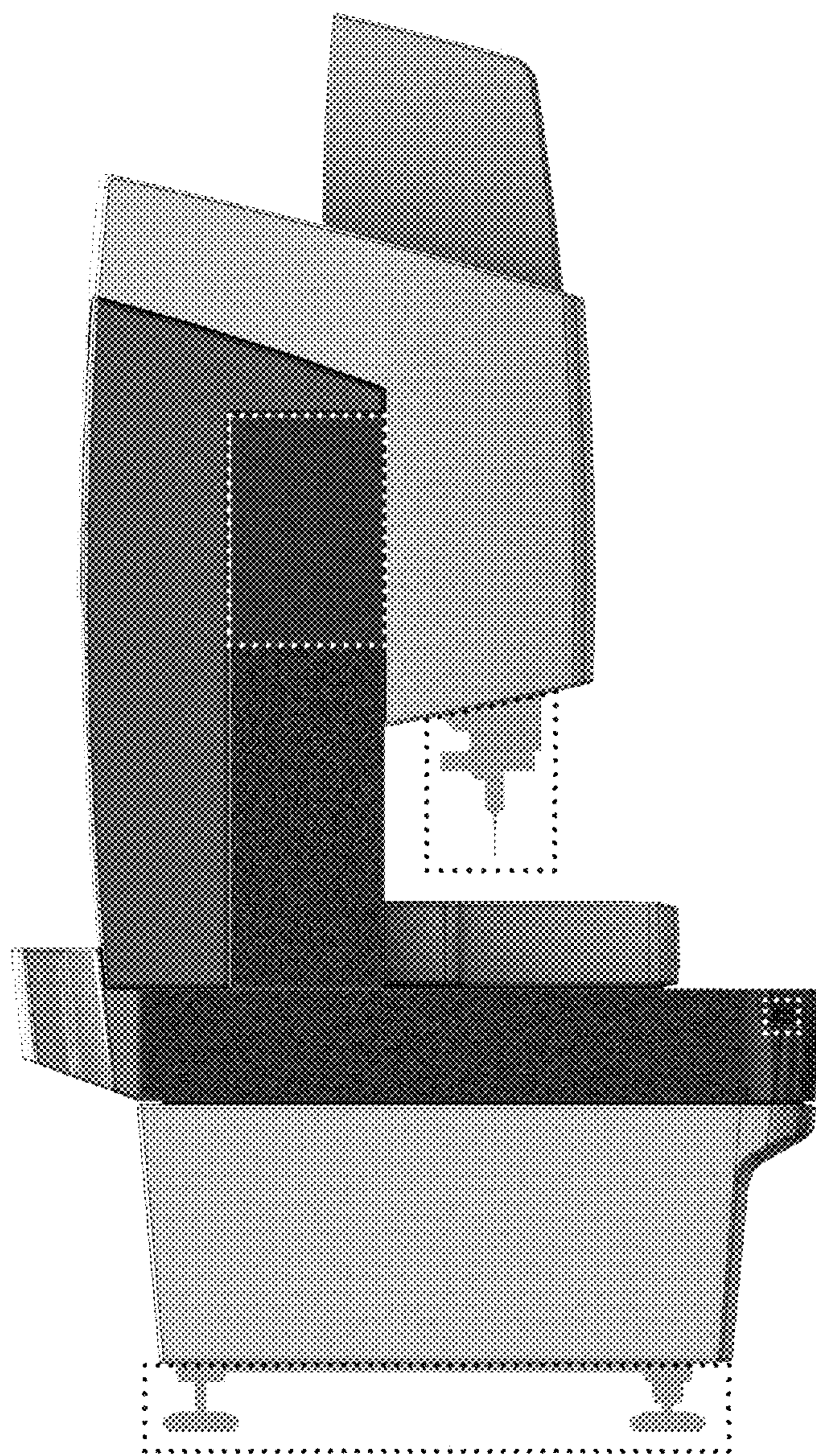


FIG. 3

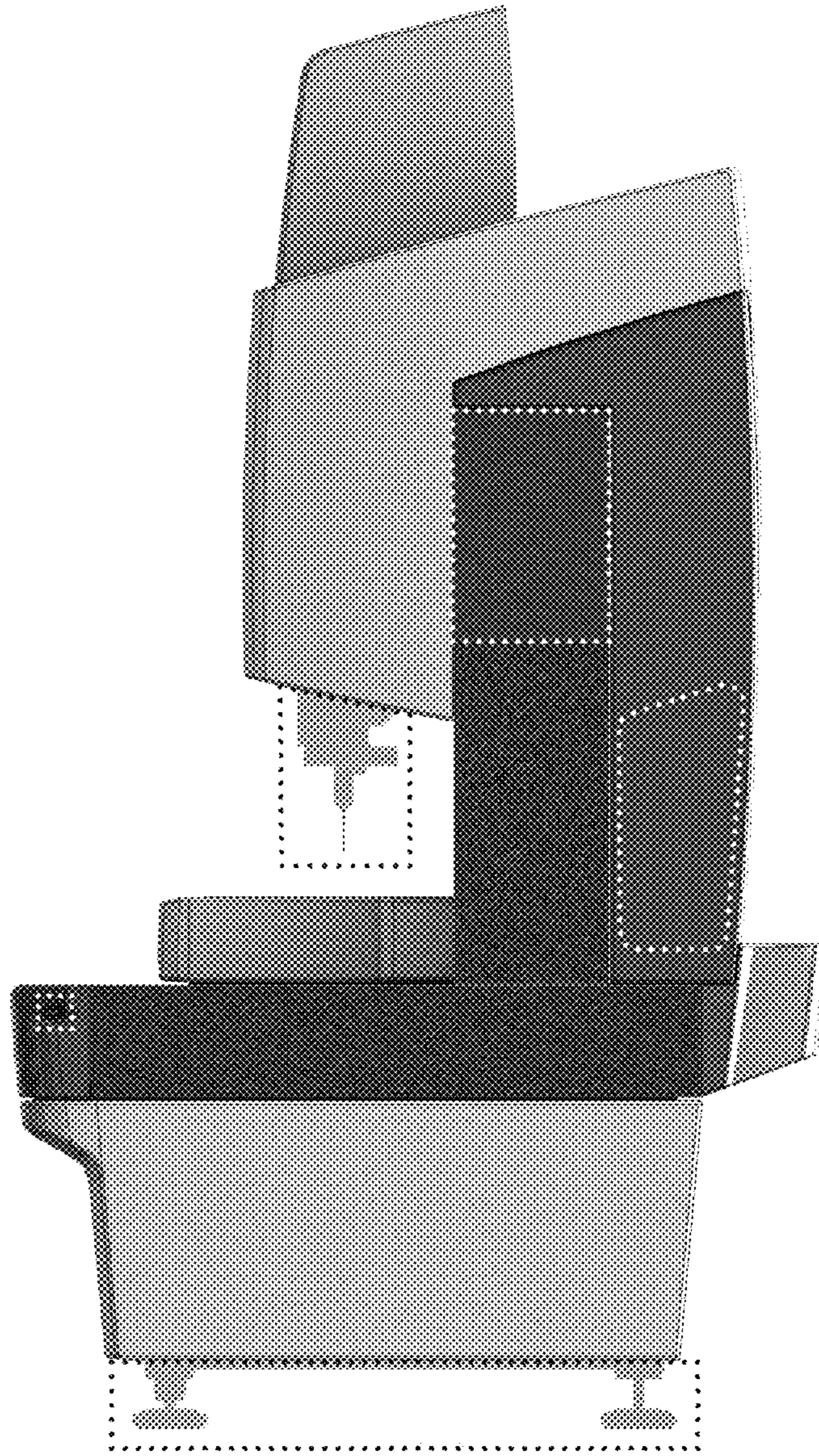


FIG. 4

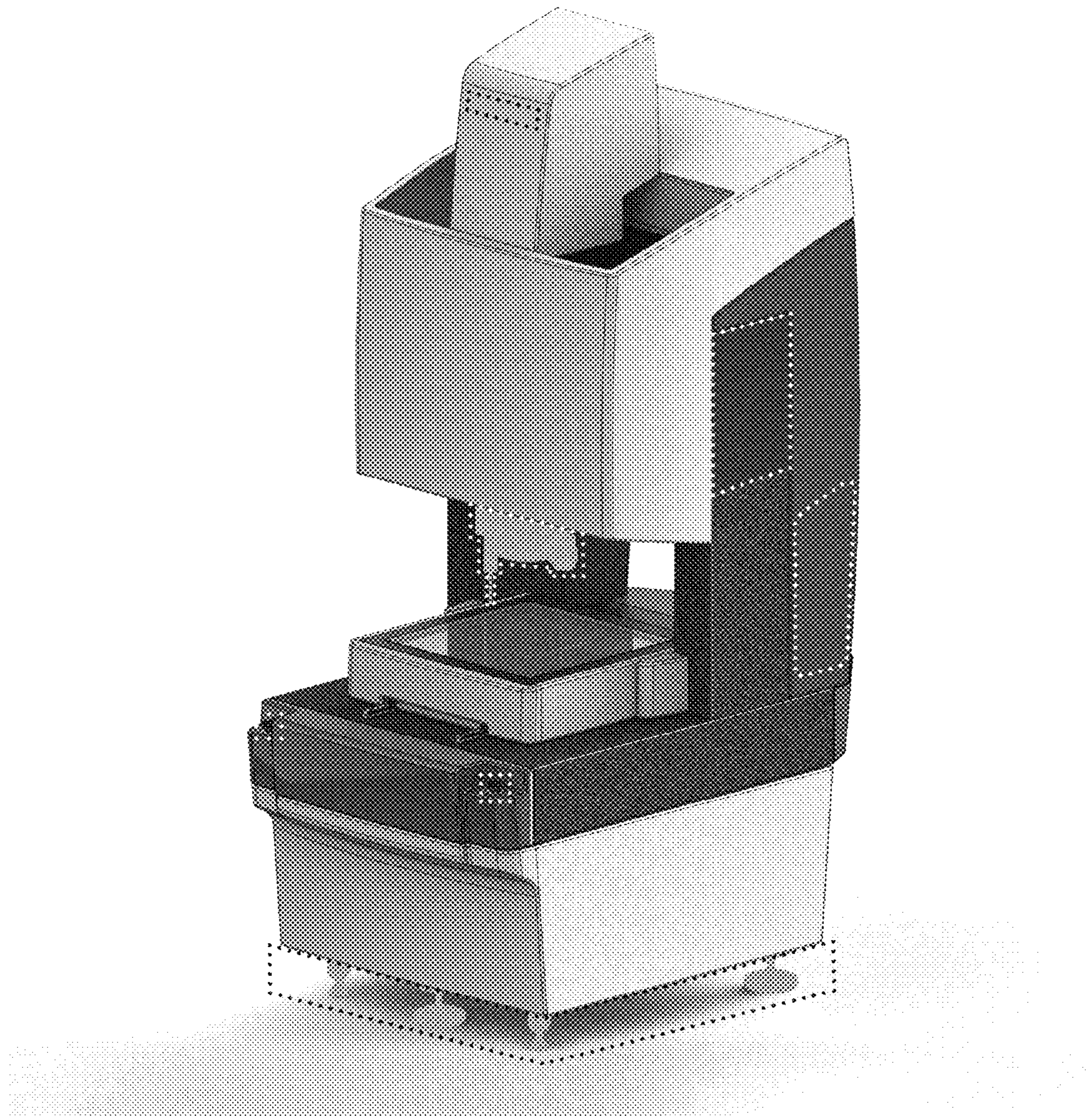


FIG. 5

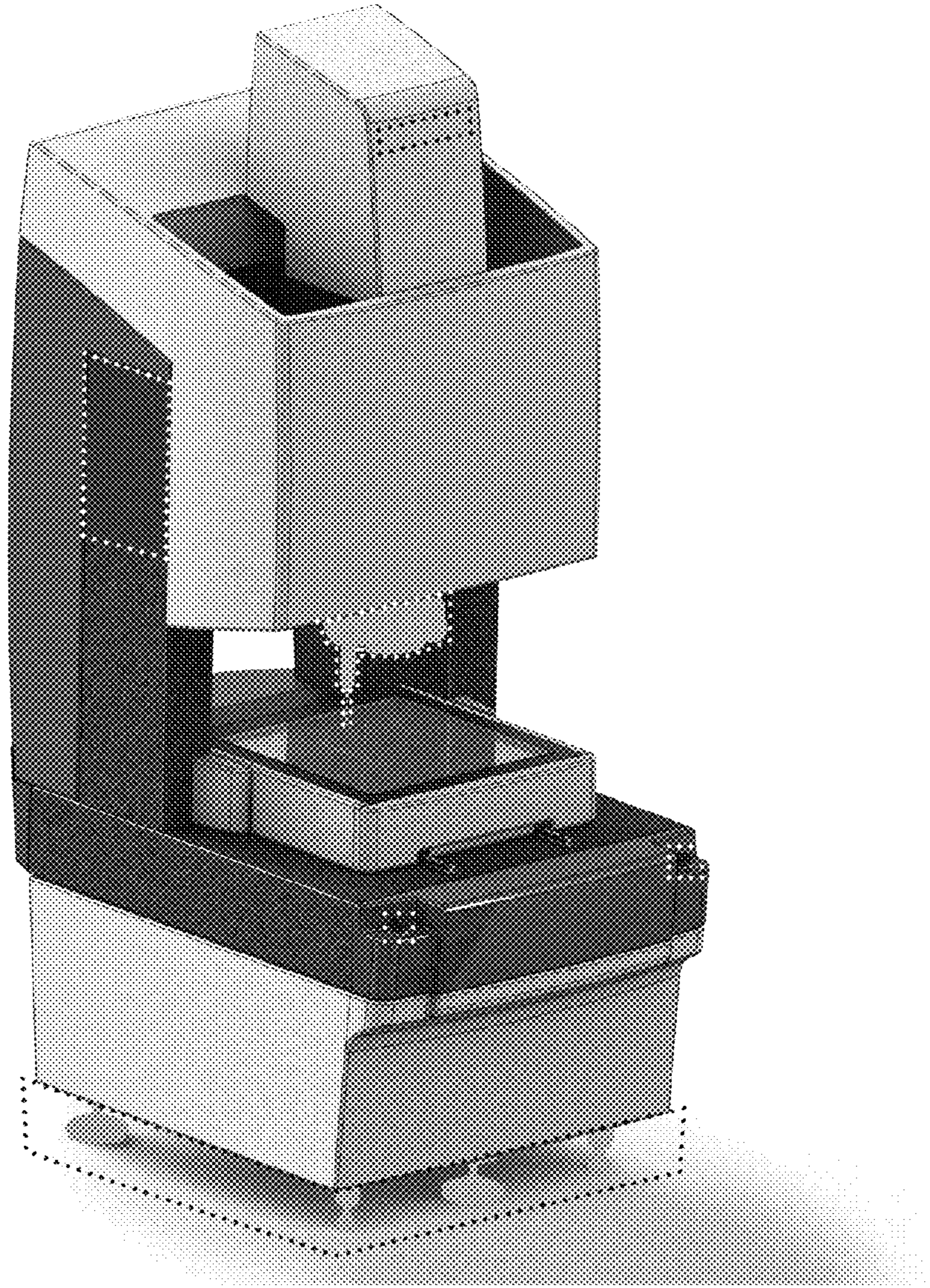


FIG. 6