



US00D731903S

(12) **United States Design Patent**
Mille

(10) **Patent No.:** **US D731,903 S**
(45) **Date of Patent:** **** Jun. 16, 2015**

(54) **WATCH**

(71) Applicant: **Turlen Holding SA**, Soyhières (CH)

(72) Inventor: **Richard Mille**, Moulins (FR)

(73) Assignee: **TURLEN HOLDING SA**, Soyhières (CH)

(**) Term: **14 Years**

(21) Appl. No.: **29/484,977**

(22) Filed: **Mar. 14, 2014**

(30) **Foreign Application Priority Data**

Dec. 5, 2013 (WO) DM/082 382

(51) **LOC (10) Cl.** **10-02**

(52) **U.S. Cl.**
USPC **D10/39; D10/125**

(58) **Field of Classification Search**
USPC D10/30-39, 1-29, 122-132
CPC G04B 15/00; G04B 17/06; G04B 37/00;
G04B 37/0008; G04B 37/225; G04B 45/00;
G04B 45/0038; G04B 45/0069; G04B
45/0076; G04B 45/02
See application file for complete search history.

(56) **References Cited**

U.S. PATENT DOCUMENTS

4,376,996 A * 3/1983 Wuthrich 368/220
4,382,690 A * 5/1983 Erard 368/77
4,534,660 A * 8/1985 Laesser 368/220
D302,131 S * 7/1989 Woomer D10/39
4,926,401 A * 5/1990 Vuilleumier et al. 368/88

D456,274 S * 4/2002 Mille D10/30
D530,229 S * 10/2006 Wunderman D10/32
D545,695 S * 7/2007 Laucella D10/31
D570,710 S * 6/2008 Wong D10/30
D640,572 S * 6/2011 Calce D10/32
D650,708 S * 12/2011 Laucella D10/39
D658,514 S * 5/2012 Mille D10/39
D658,515 S * 5/2012 Mille D10/39
D658,516 S * 5/2012 Mille D10/39
D660,184 S * 5/2012 Calce D10/32
D661,602 S * 6/2012 Calce D10/32
D664,047 S * 7/2012 Mille D10/39
D673,868 S * 1/2013 Mille D10/39
D692,323 S * 10/2013 Mille D10/39
2008/0013409 A1 * 1/2008 Bland et al. 368/223

* cited by examiner

Primary Examiner — Martie K Holtje

(74) *Attorney, Agent, or Firm* — Donald J. Ranft; Kristen A. Mogavero; Collen IP

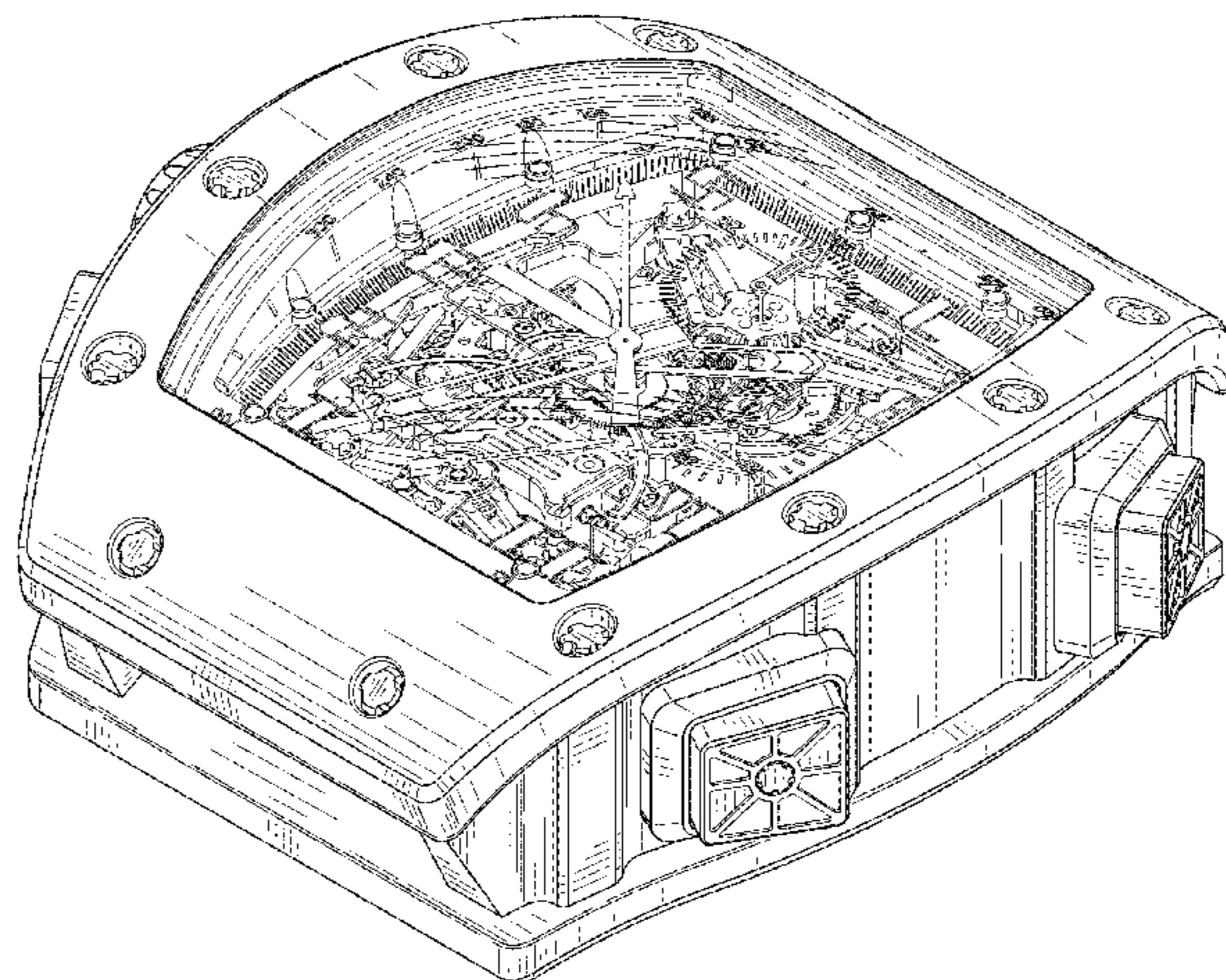
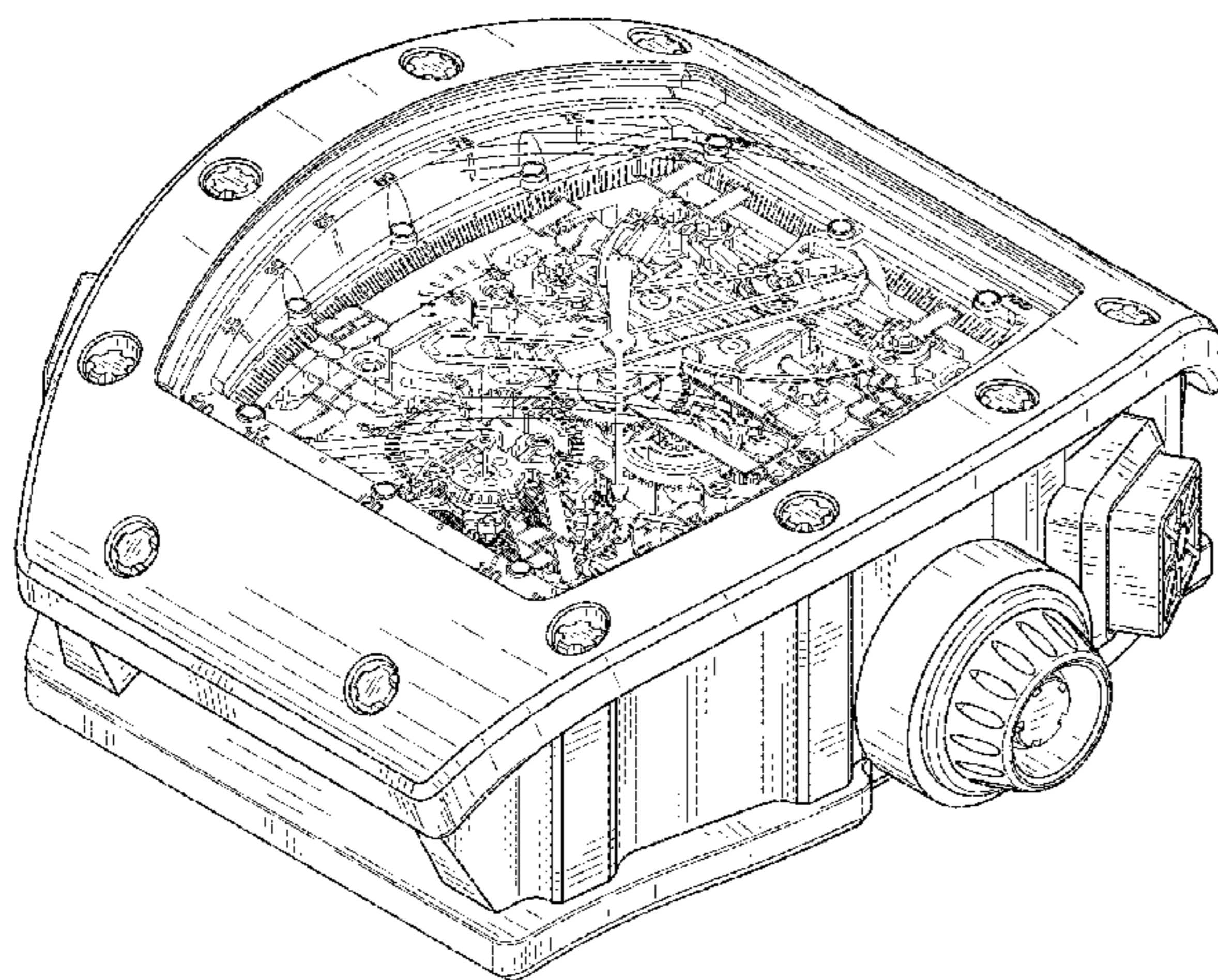
(57) **CLAIM**

The ornamental design for a watch, as shown.

DESCRIPTION

FIG. 1 is a front right perspective view of a watch showing my new design;
FIG. 2 is a front left perspective view thereof;
FIG. 3 is a front view thereof;
FIG. 4 is a rear view thereof;
FIG. 5 is a left side view thereof;
FIG. 6 is a right side view thereof;
FIG. 7 is a top view thereof;
FIG. 8 is a bottom view thereof;
FIG. 9 is a rear right perspective view thereof; and,
FIG. 10 is a rear left perspective view thereof.

1 Claim, 8 Drawing Sheets



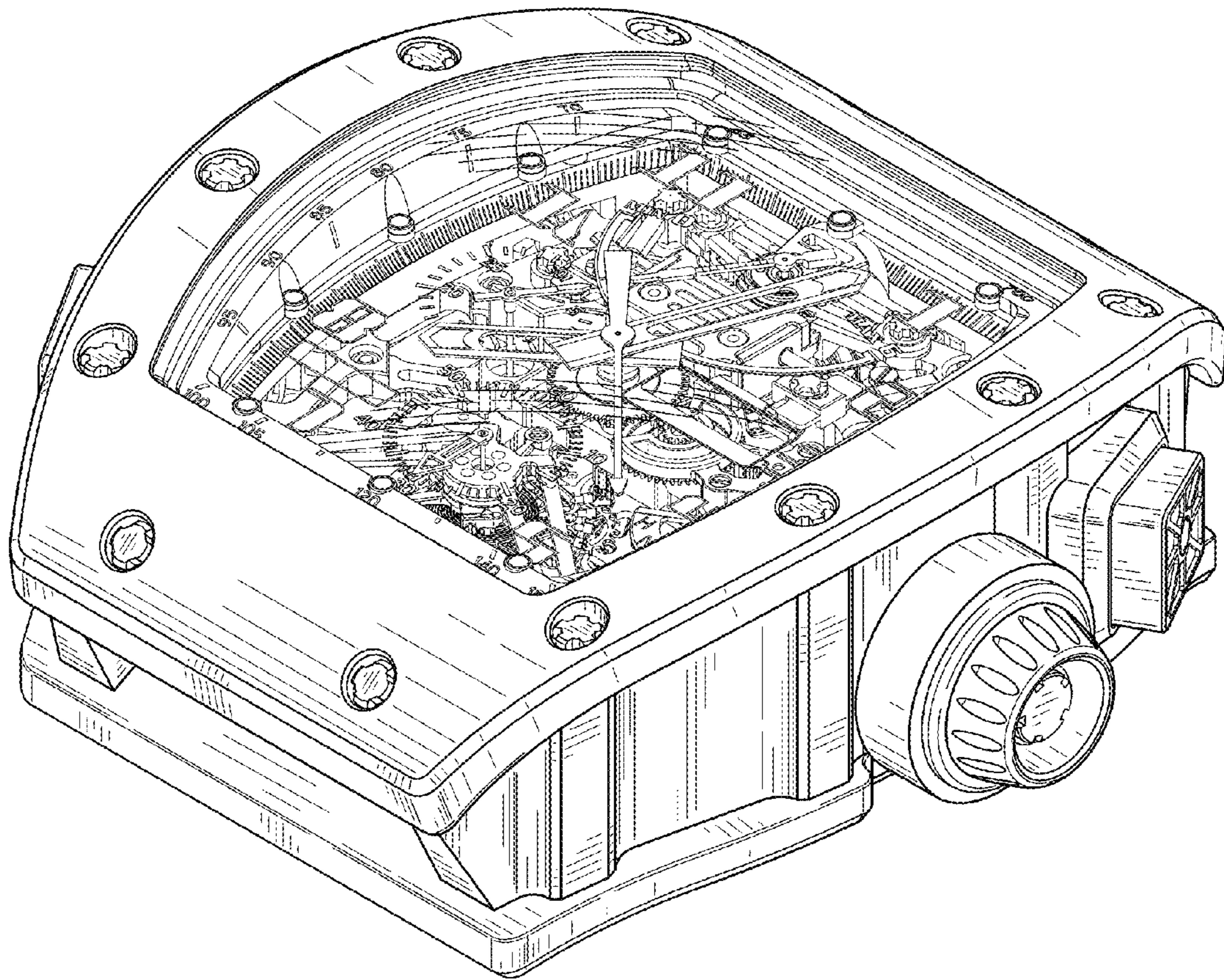


FIG. 1

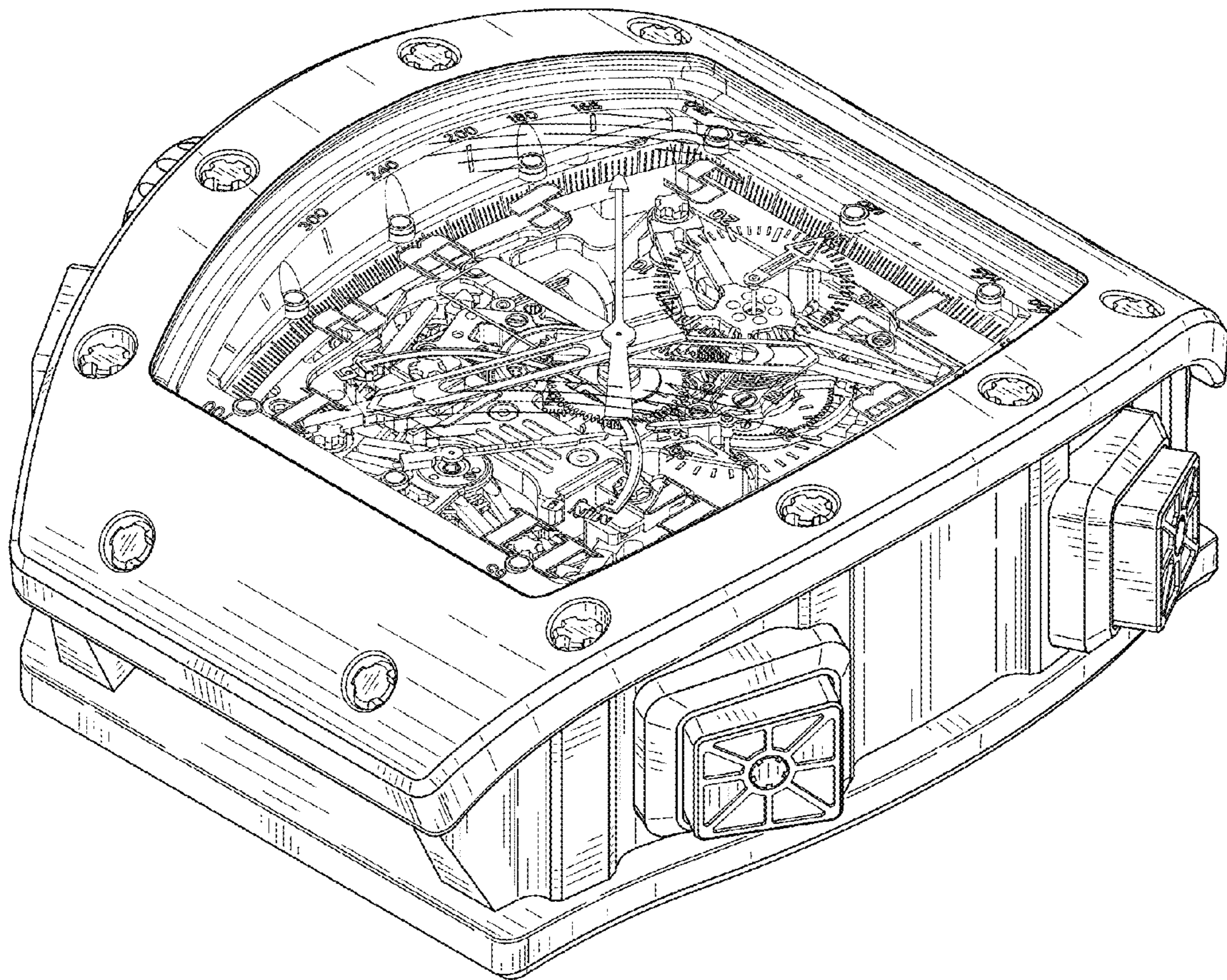


FIG. 2

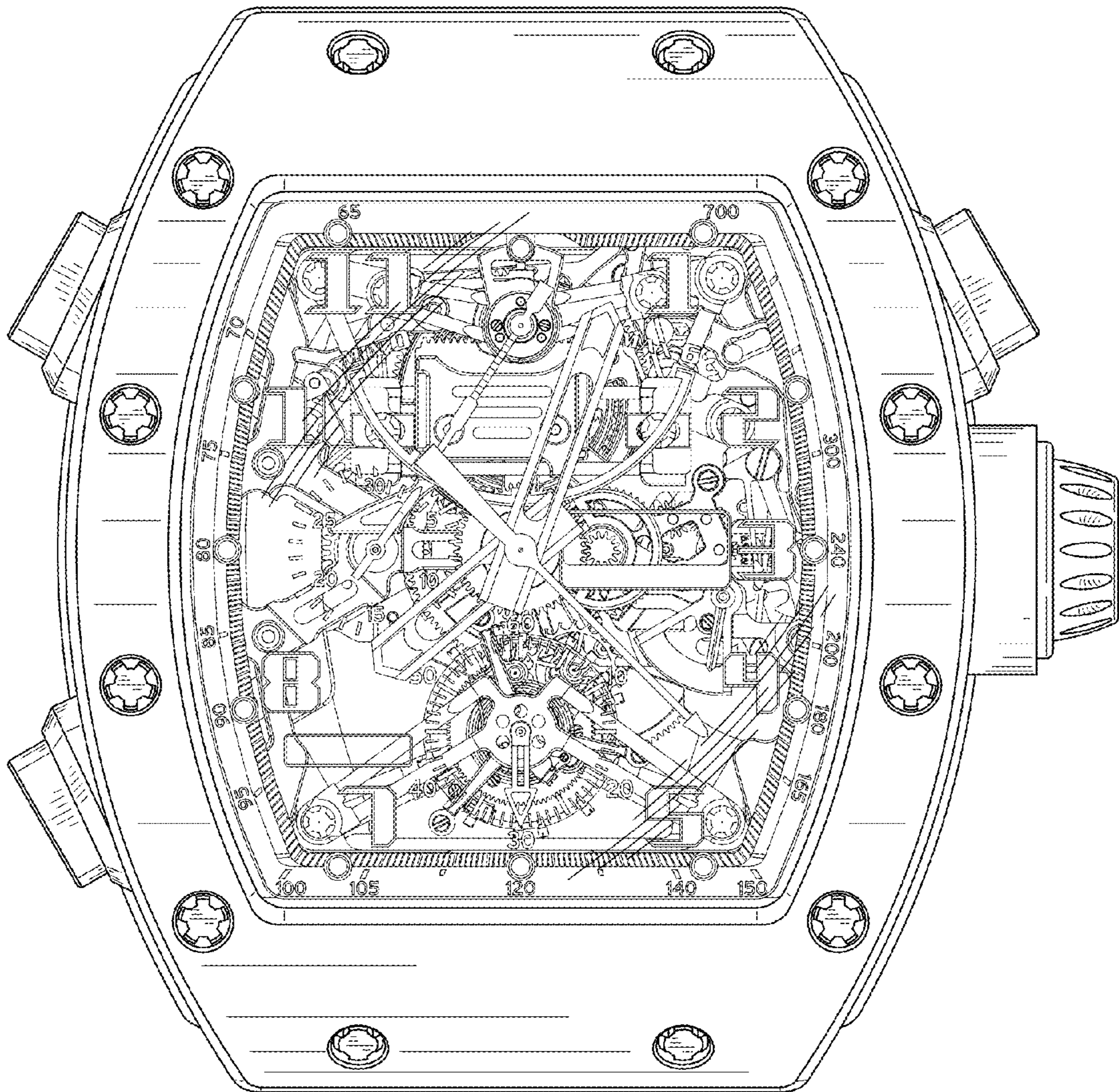


FIG. 3

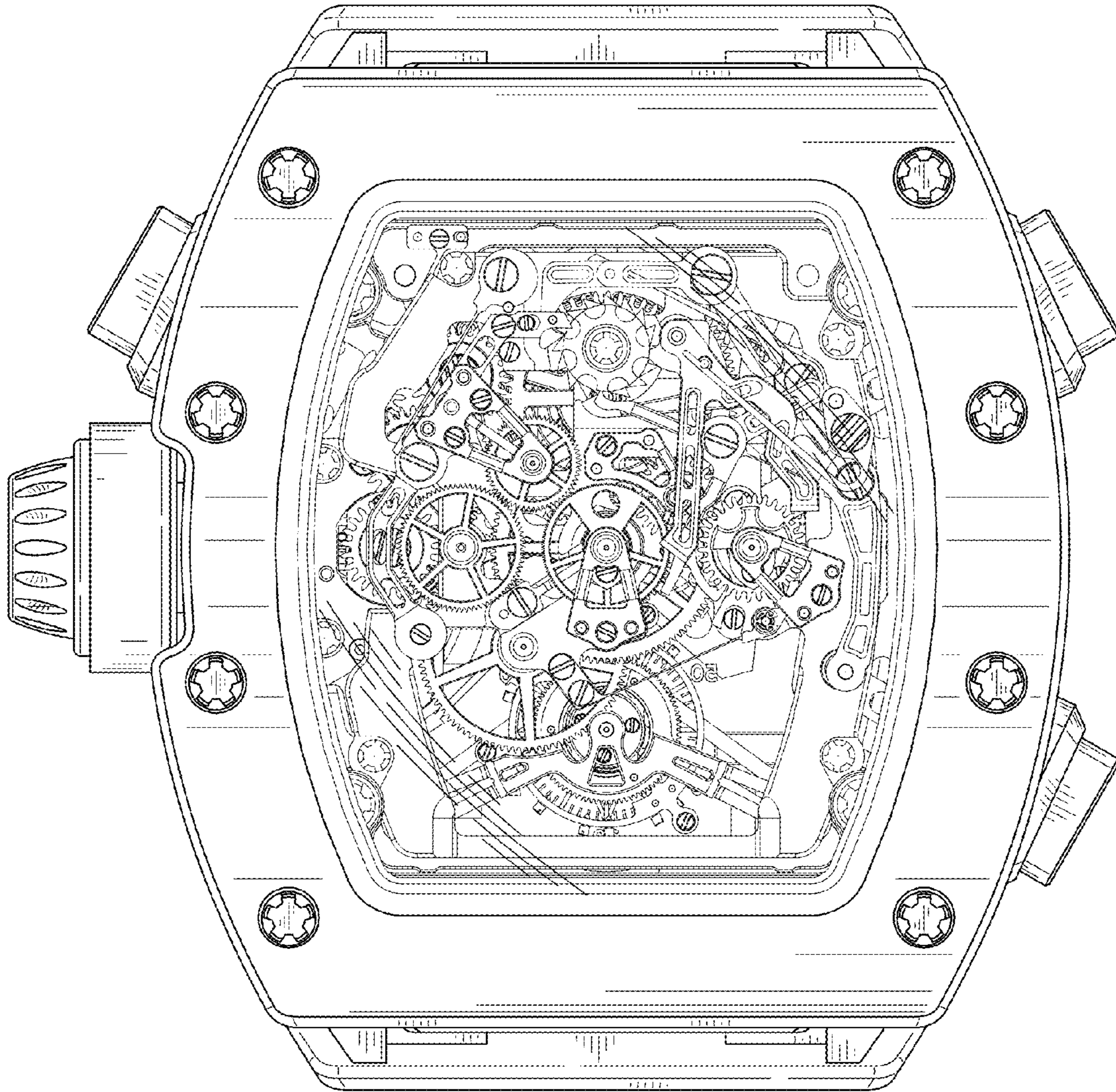


FIG. 4

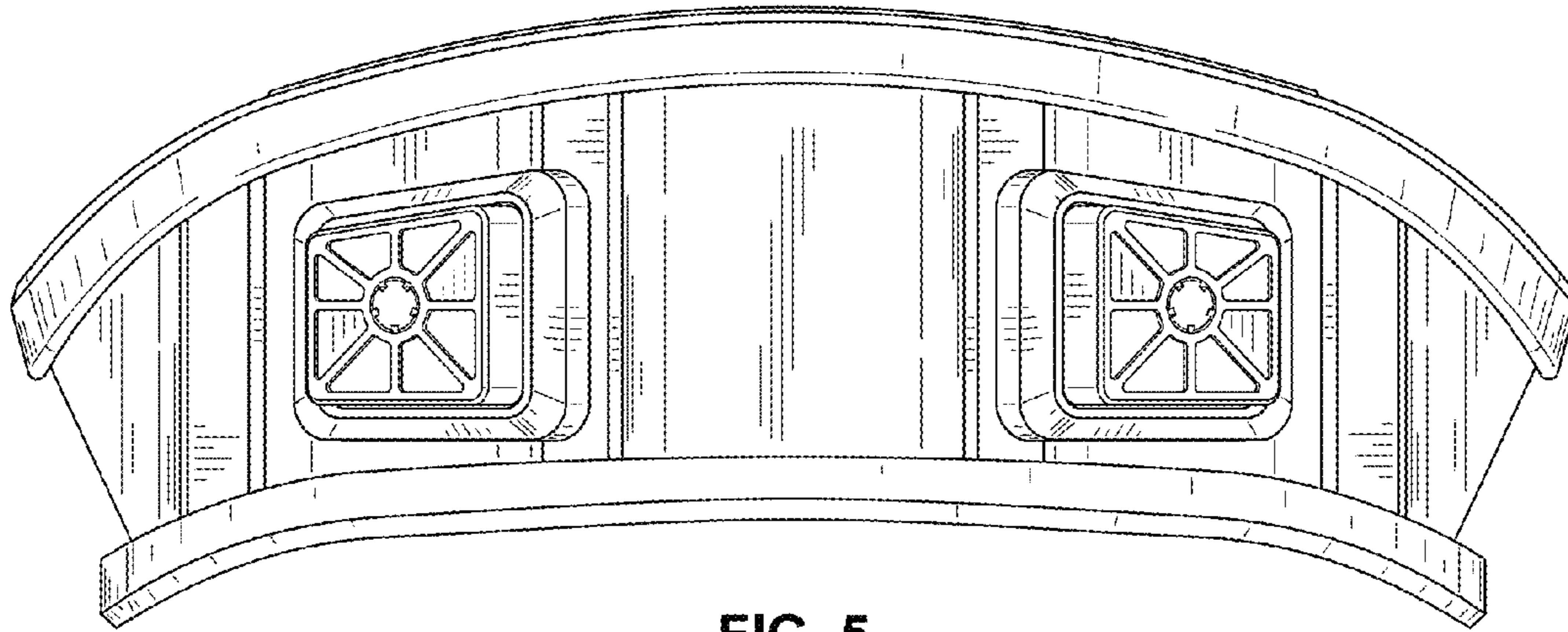


FIG. 5

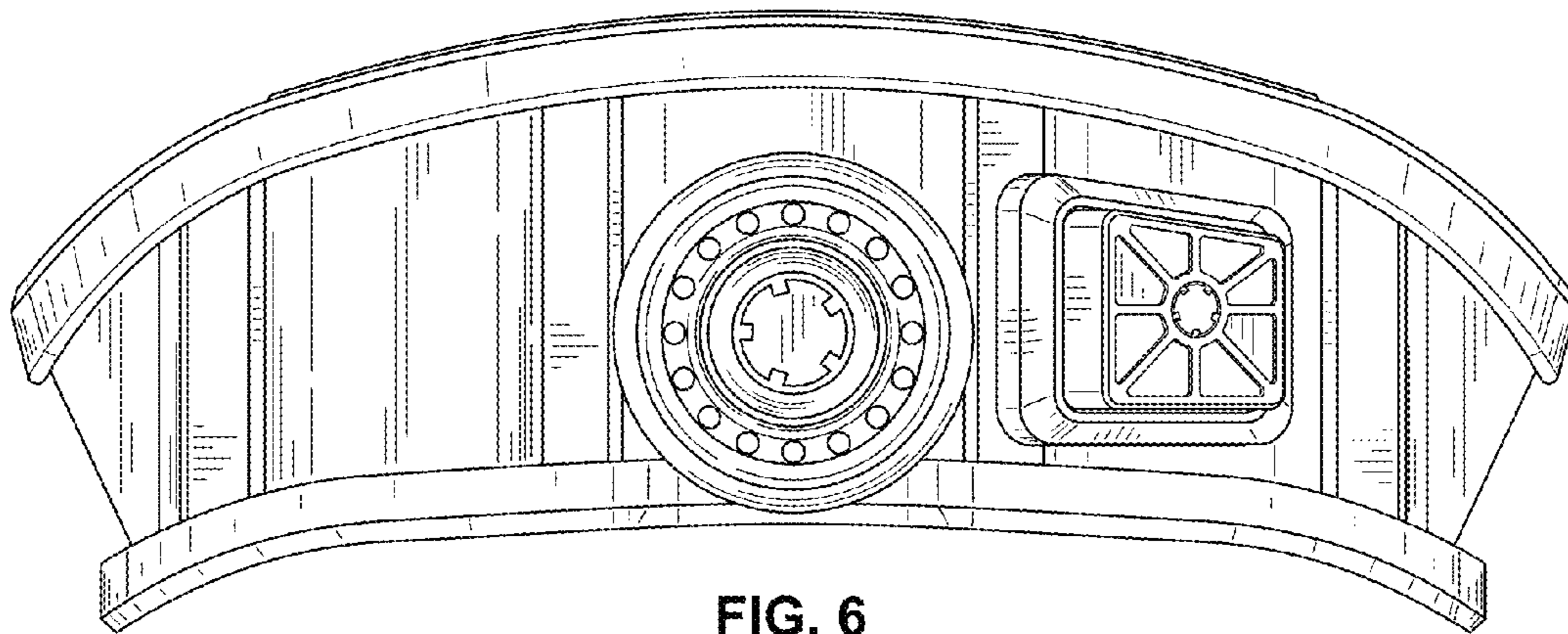


FIG. 6

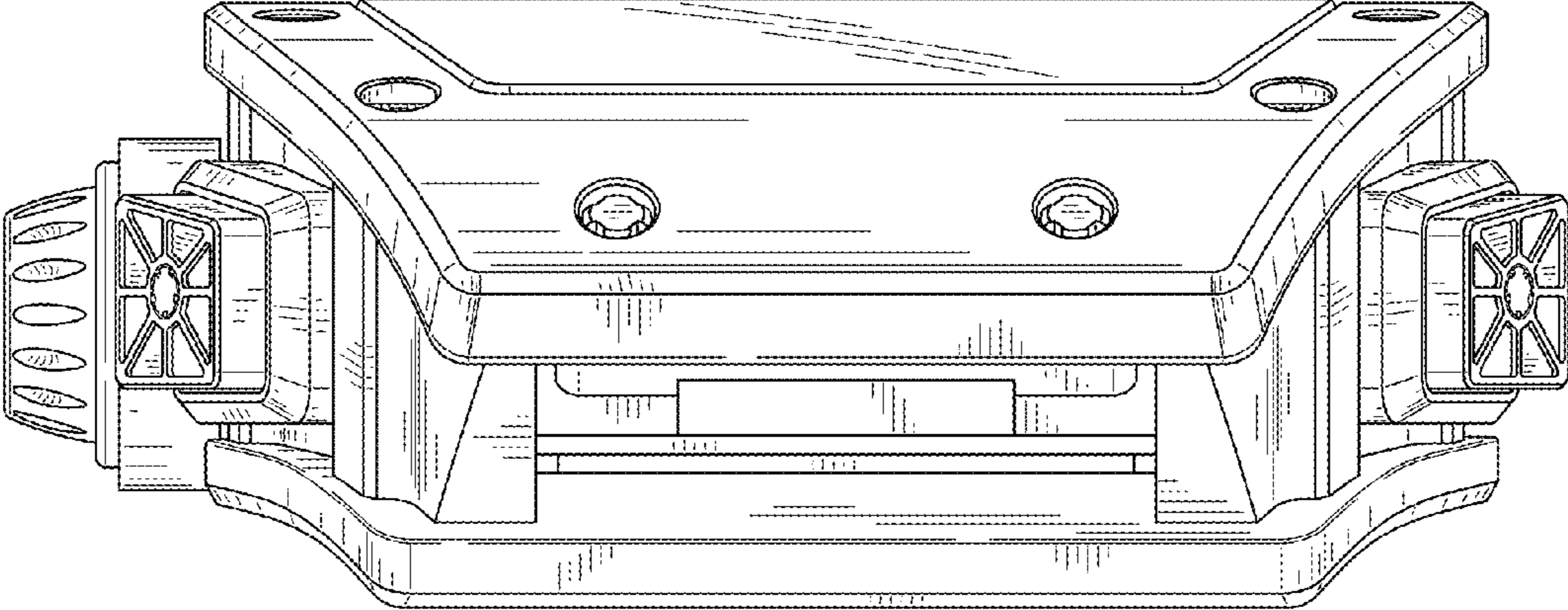


FIG. 7

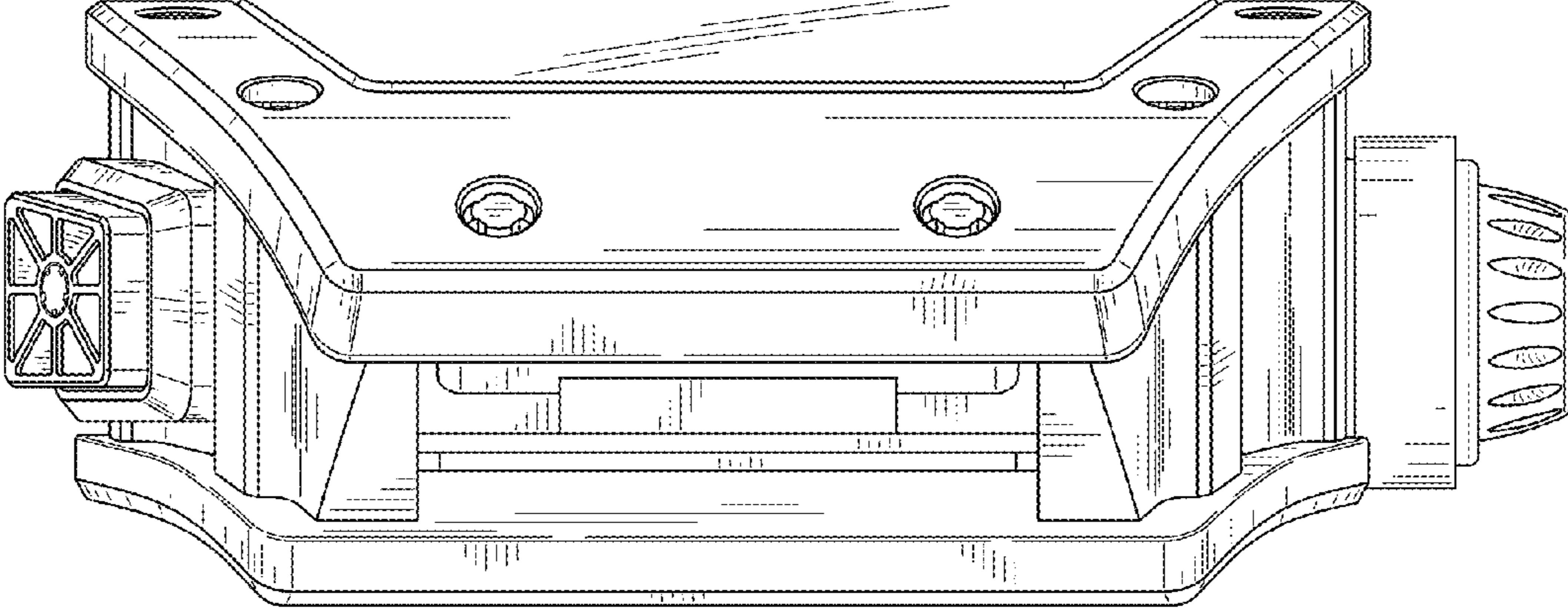


FIG. 8

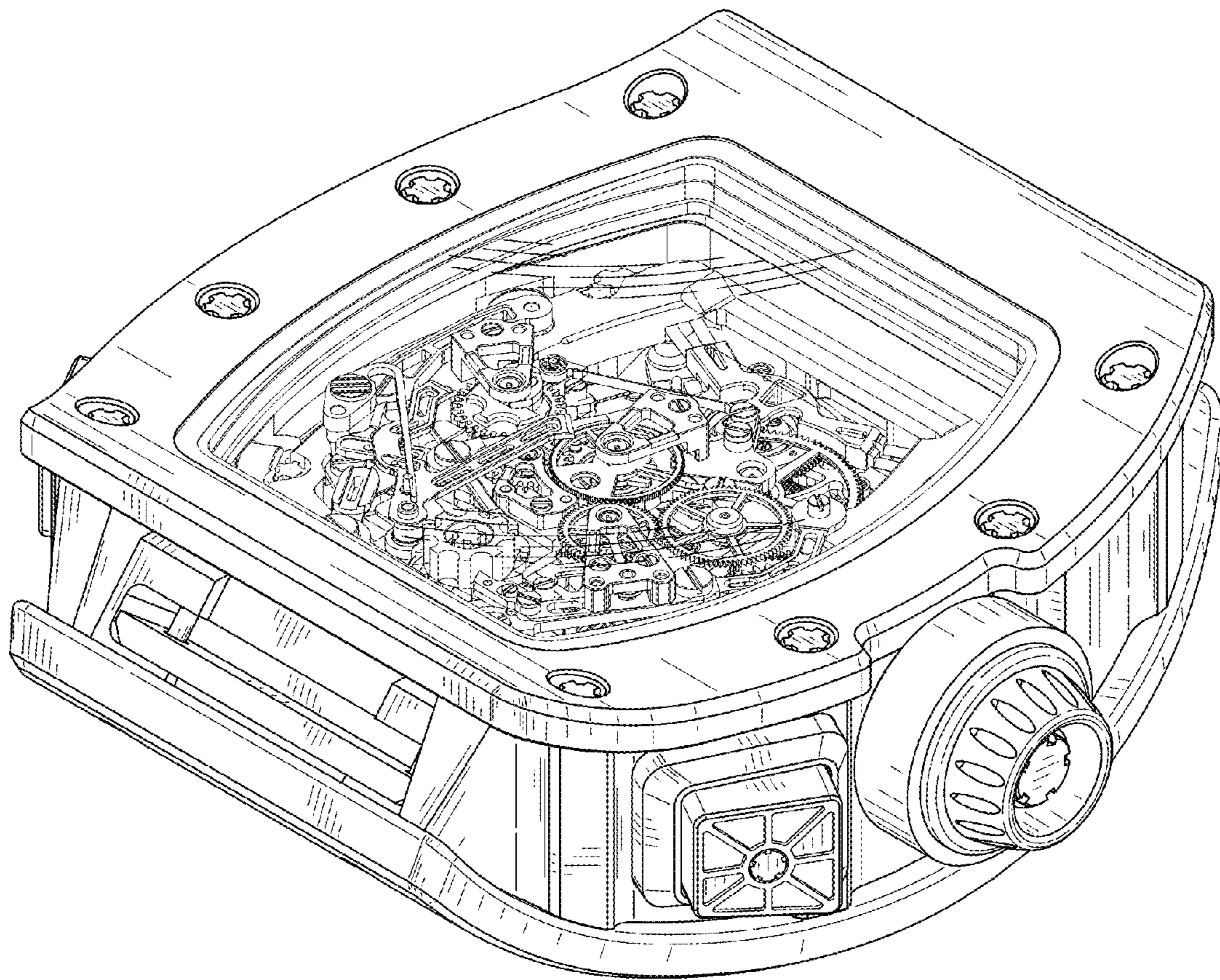


FIG. 9

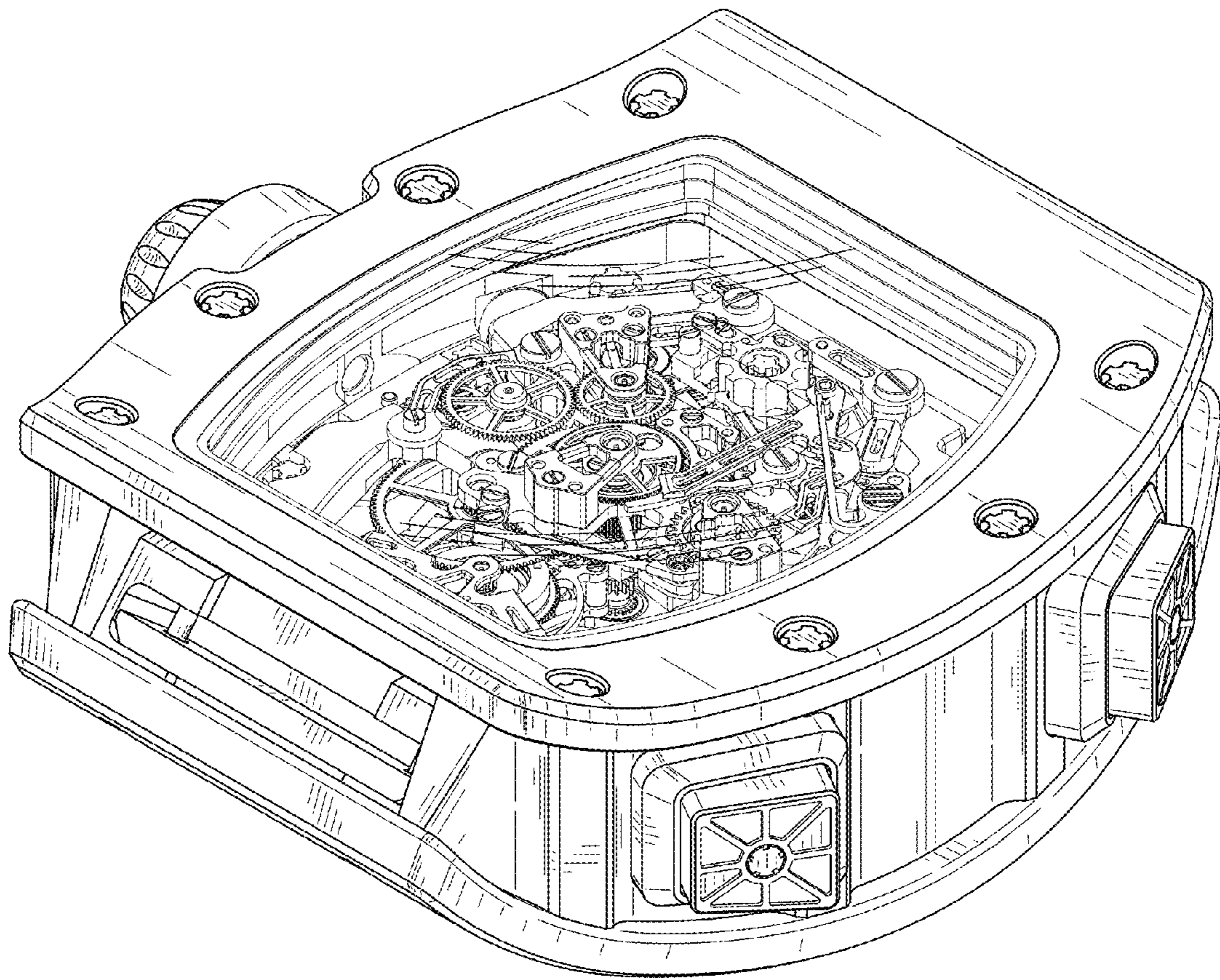


FIG. 10