



US00D731902S

(12) **United States Design Patent**
Mille

(10) **Patent No.:** **US D731,902 S**
(45) **Date of Patent:** **** Jun. 16, 2015**

(54) **WATCH**

(71) Applicant: **Turlen Holding SA**, Soyhières (CH)

(72) Inventor: **Richard Mille**, Moulins (FR)

(73) Assignee: **TURLEN HOLDING SA**, Soyhieres (CH)

(**) Term: **14 Years**

(21) Appl. No.: **29/484,970**

(22) Filed: **Mar. 14, 2014**

(30) **Foreign Application Priority Data**

Dec. 5, 2013 (WO) DM/082 382

(51) **LOC (10) Cl.** **10-02**

(52) **U.S. Cl.**
USPC **D10/39; D10/34; D10/125**

(58) **Field of Classification Search**
USPC D10/30-39, 1-29, 122-132
CPC G04B 15/00; G04B 17/06; G04B 17/285;
G04B 37/00; G04B 37/0008; G04B 37/225;
G04B 45/00; G04B 45/0038; G04B 45/0069;
G04B 45/0076; G04B 45/02
See application file for complete search history.

(56) **References Cited**

U.S. PATENT DOCUMENTS

4,376,996	A *	3/1983	Wuthrich	368/220
4,382,690	A *	5/1983	Erard	368/77
4,534,660	A *	8/1985	Laesser	368/220
D302,131	S *	7/1989	Woomer	D10/39
4,926,401	A *	5/1990	Vuilleumier et al.	368/88
D324,654	S *	3/1992	Mandelli	D10/34

D456,274	S *	4/2002	Mille	D10/30
D530,229	S *	10/2006	Wunderman	D10/32
D545,695	S *	7/2007	Laucella	D10/31
D570,710	S *	6/2008	Wong	D10/30
D640,572	S *	6/2011	Calce	D10/32
D650,708	S *	12/2011	Laucella	D10/39
D658,514	S *	5/2012	Mille	D10/39
D658,515	S *	5/2012	Mille	D10/39
D658,516	S *	5/2012	Mille	D10/39
D660,184	S *	5/2012	Calce	D10/32
D661,602	S *	6/2012	Calce	D10/32
D664,047	S *	7/2012	Mille	D10/39
D673,868	S *	1/2013	Mille	D10/39
D692,323	S *	10/2013	Mille	D10/39
2008/0013409	A1 *	1/2008	Bland et al.	368/223

* cited by examiner

Primary Examiner — Martie K Holtje

(74) *Attorney, Agent, or Firm* — Donald J. Ranft; Kristen A. Mogavero; Collen IP

(57) **CLAIM**

The ornamental design for a watch, as shown.

DESCRIPTION

FIG. 1 is a front right perspective view of a watch showing my new design;
FIG. 2 is a front left perspective view thereof;
FIG. 3 is a front view thereof;
FIG. 4 is a rear view thereof;
FIG. 5 is a left side view thereof;
FIG. 6 is a right side view thereof;
FIG. 7 is a top view thereof;
FIG. 8 is a bottom view thereof;
FIG. 9 is a rear right perspective view thereof; and,
FIG. 10 is a rear left perspective view.

1 Claim, 8 Drawing Sheets

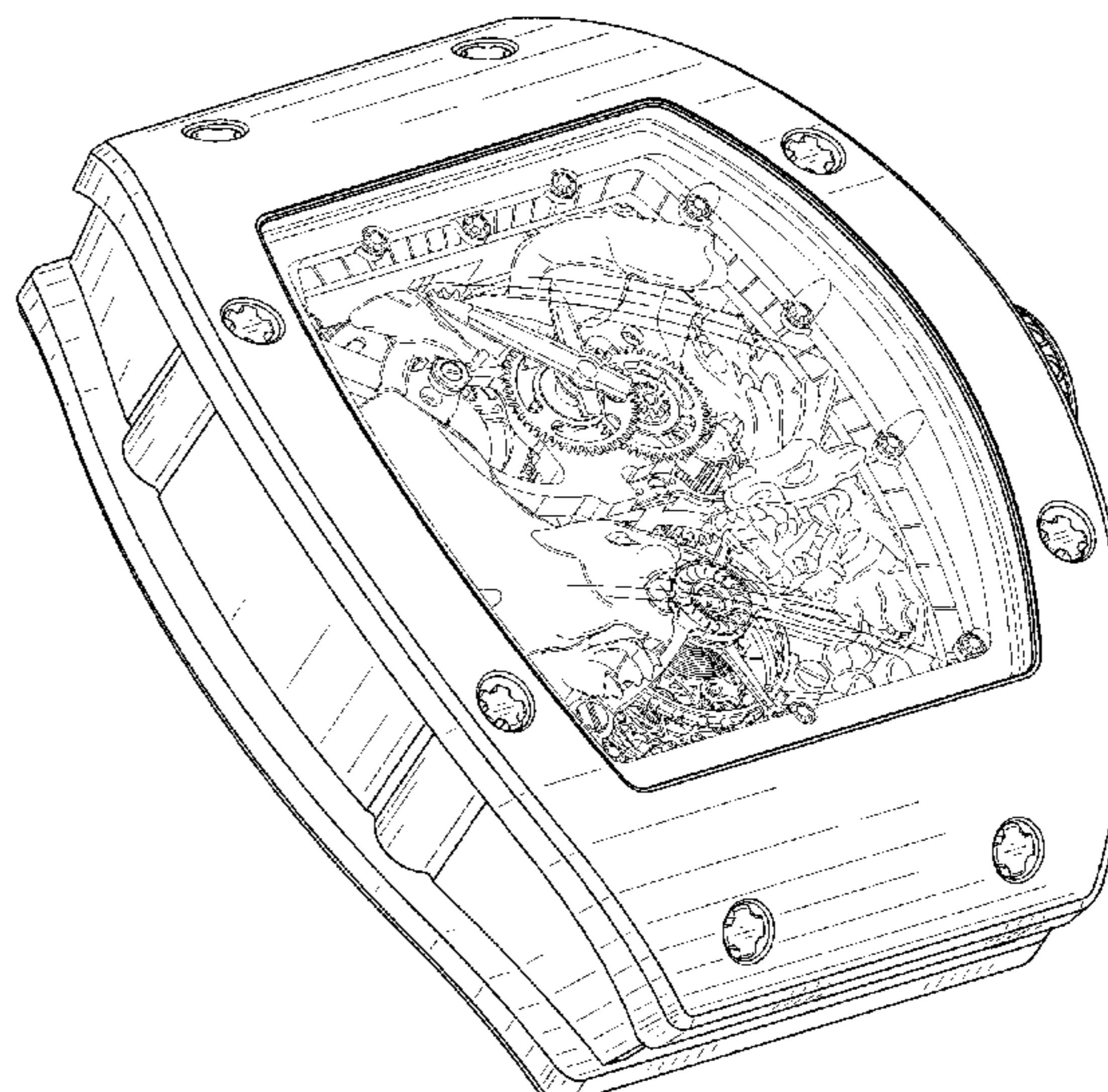
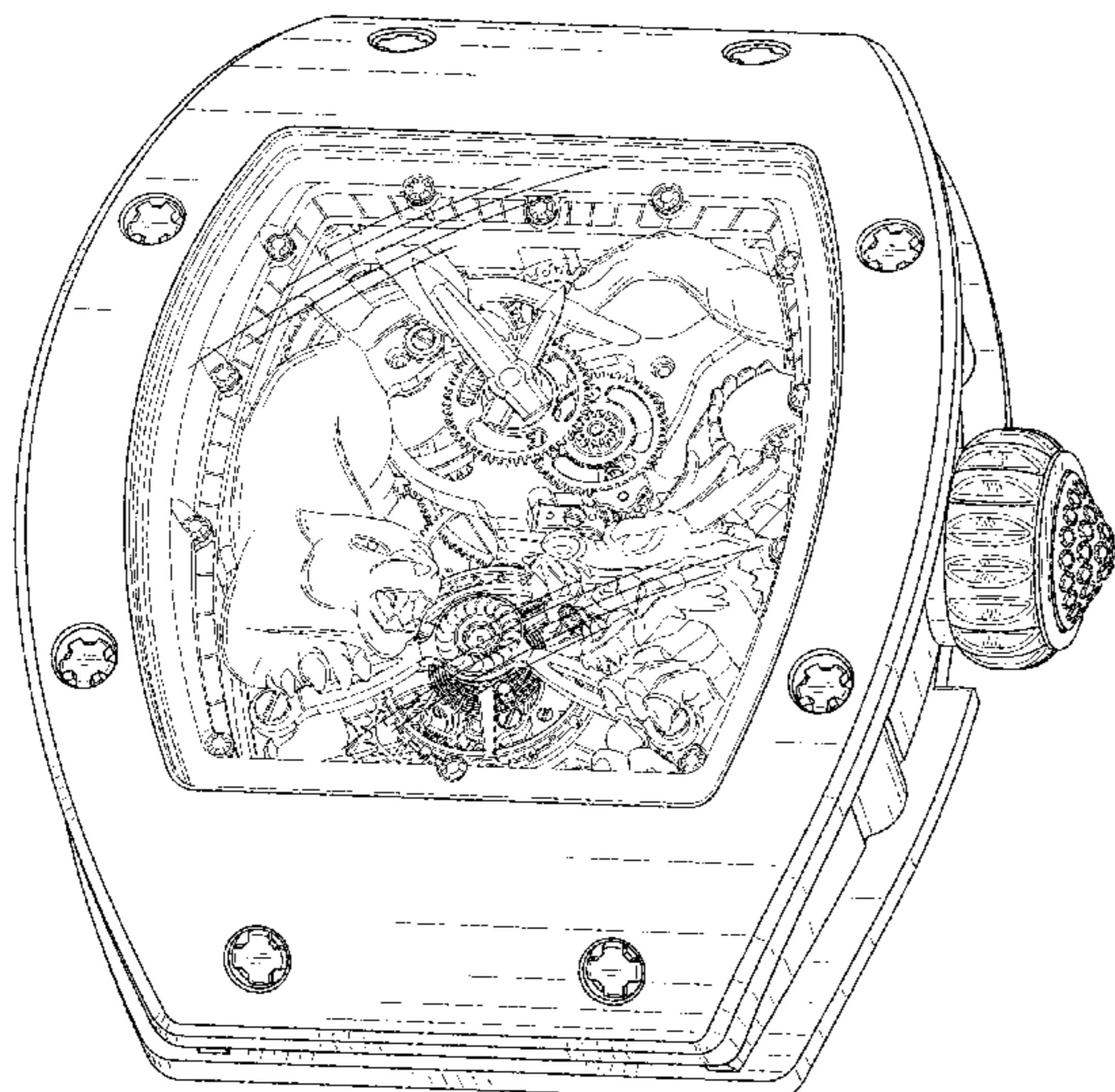




FIG. 1

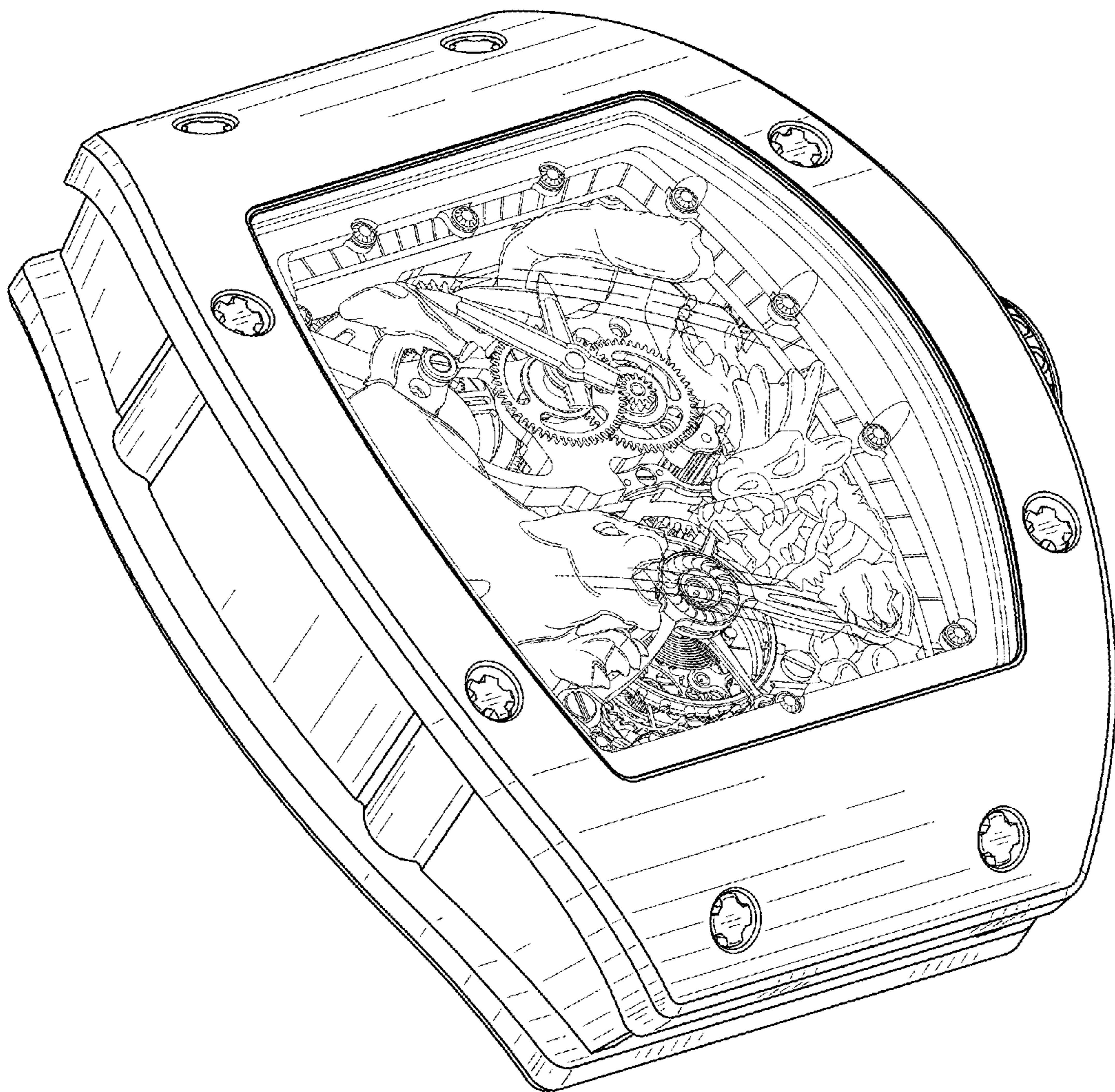


FIG. 2



FIG. 3

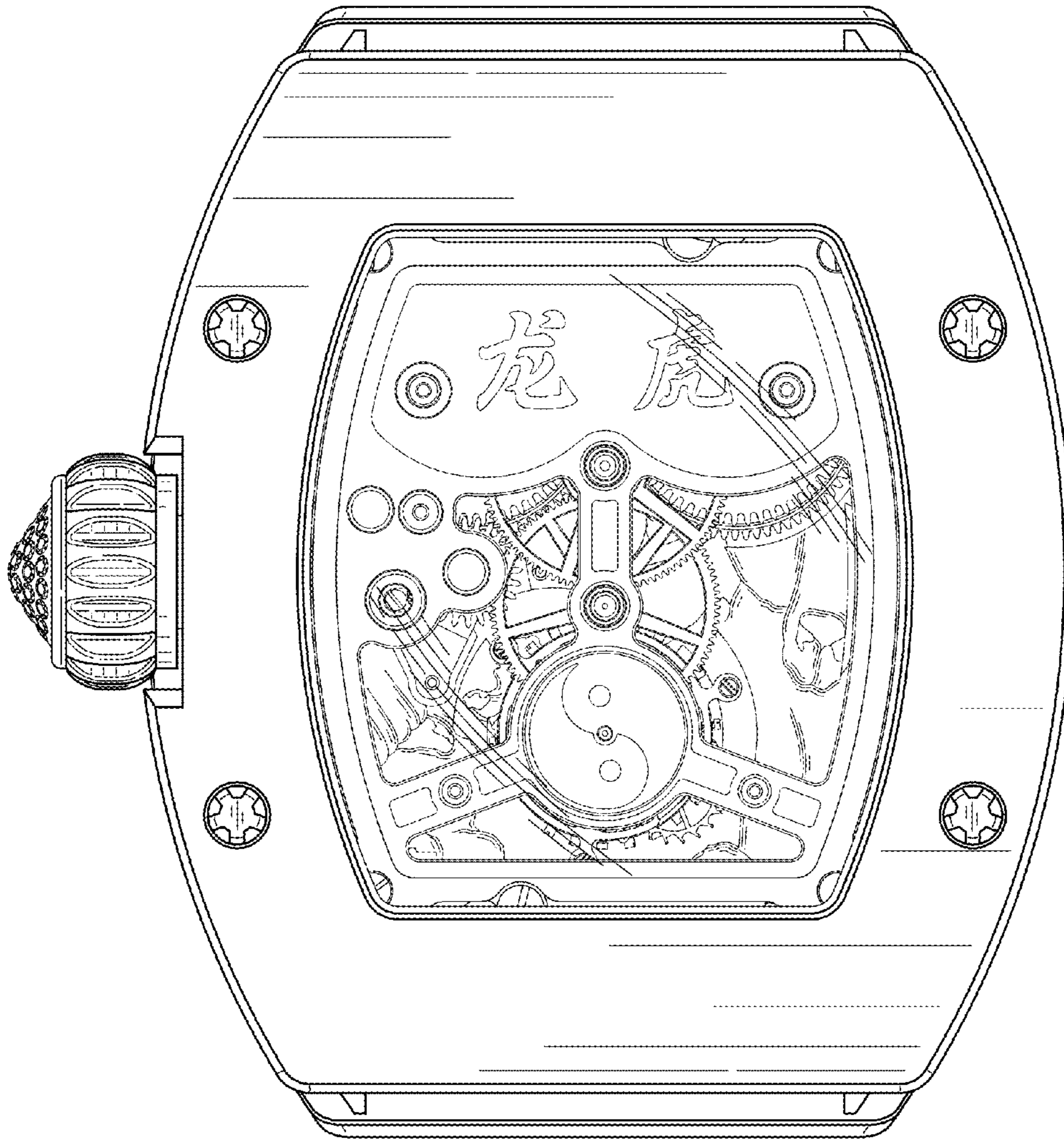


FIG. 4

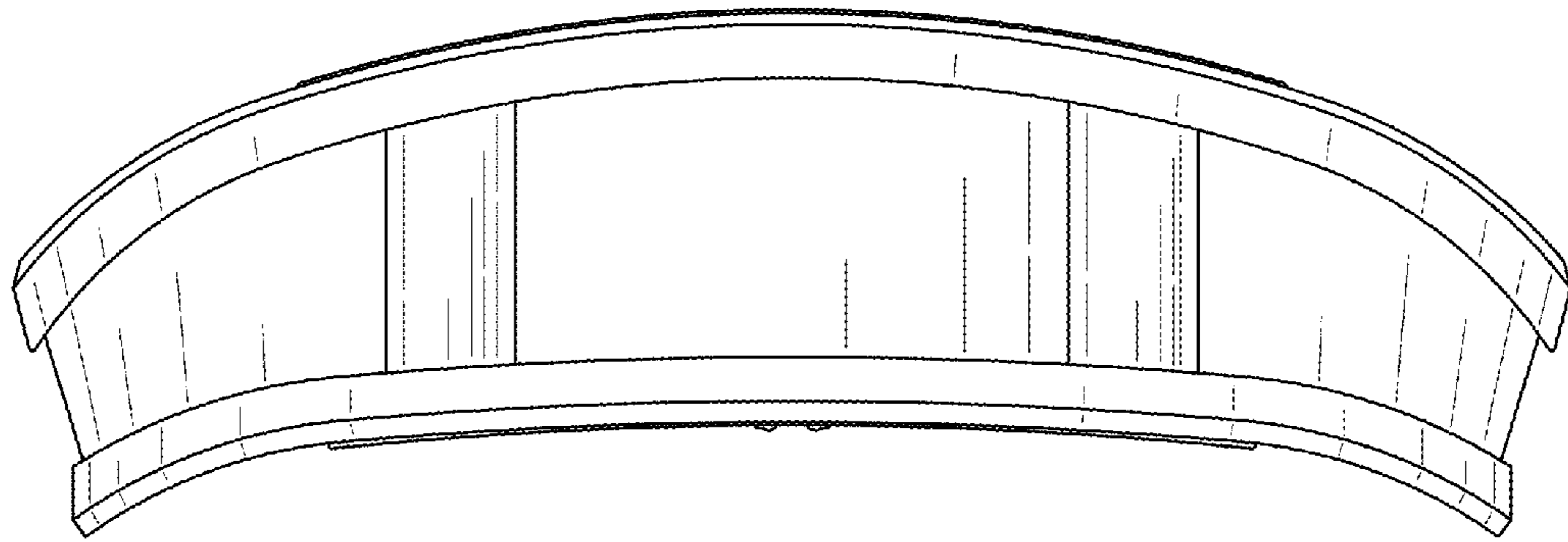


FIG. 5

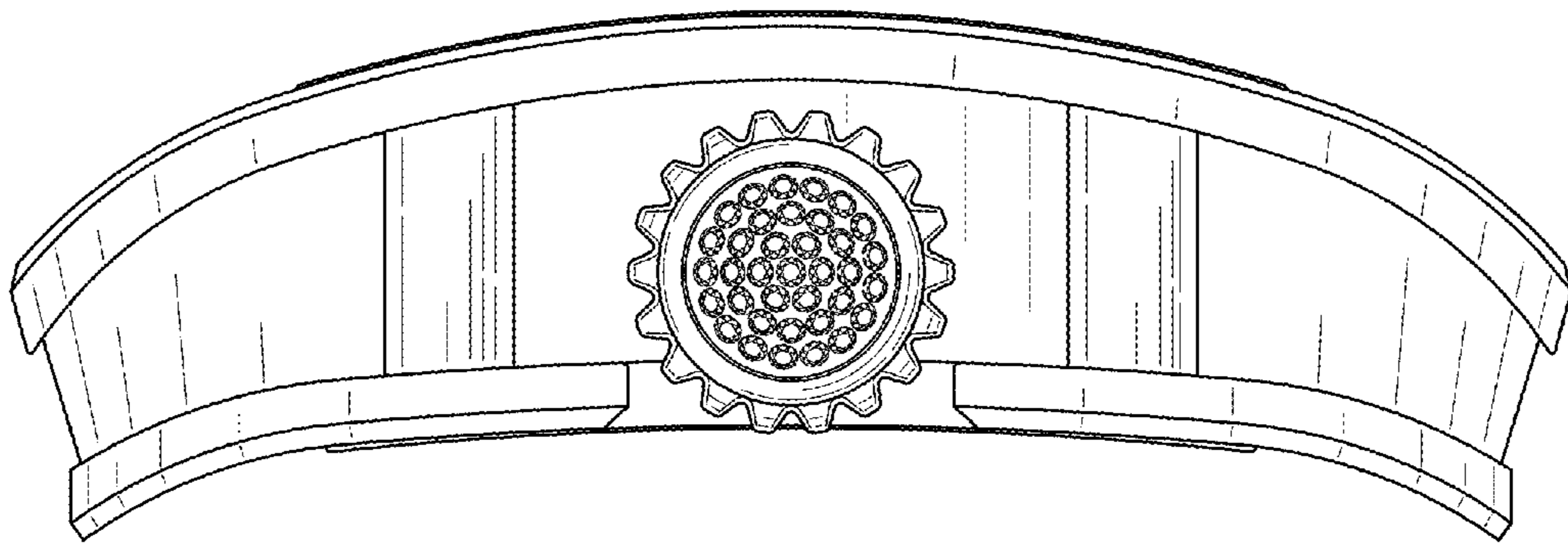


FIG. 6

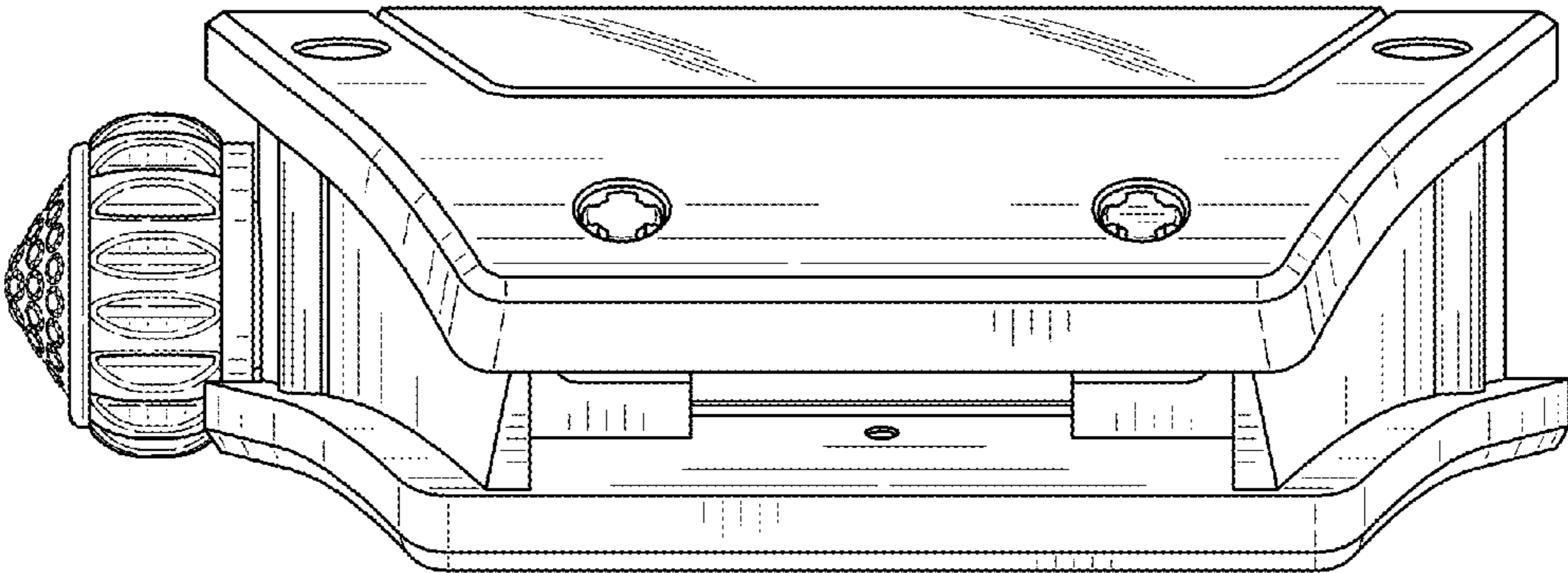


FIG. 7

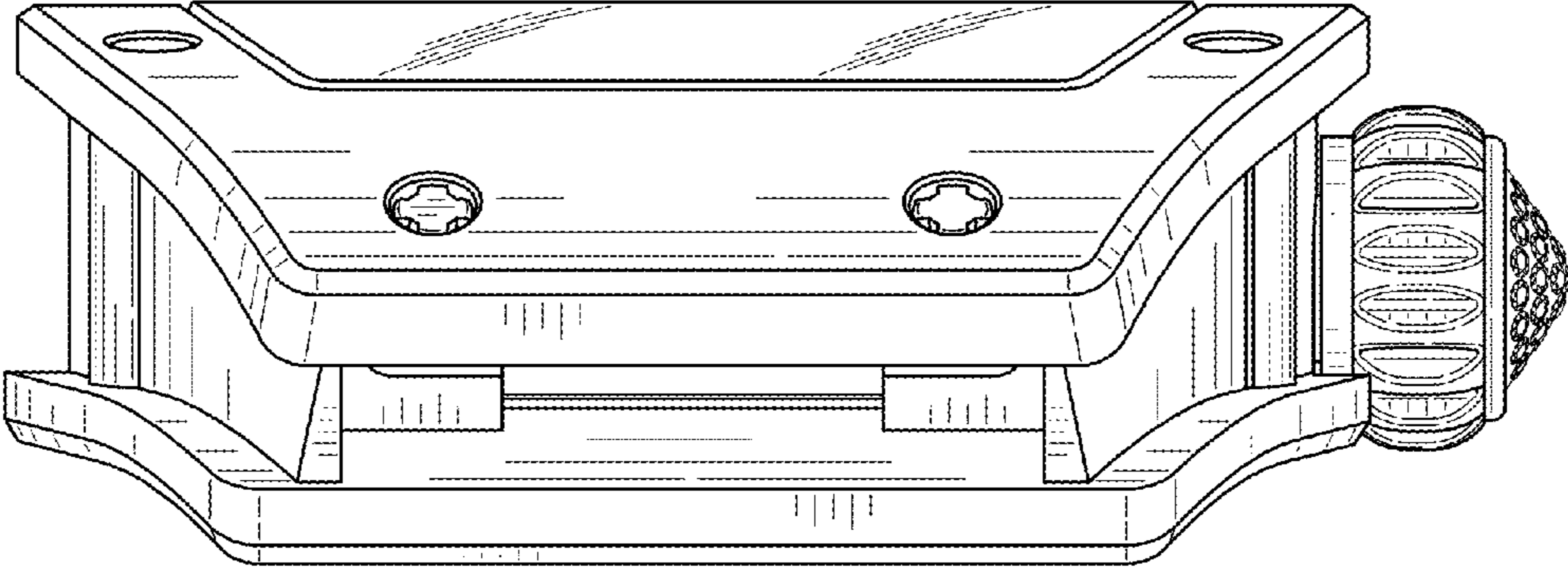


FIG. 8



FIG. 9

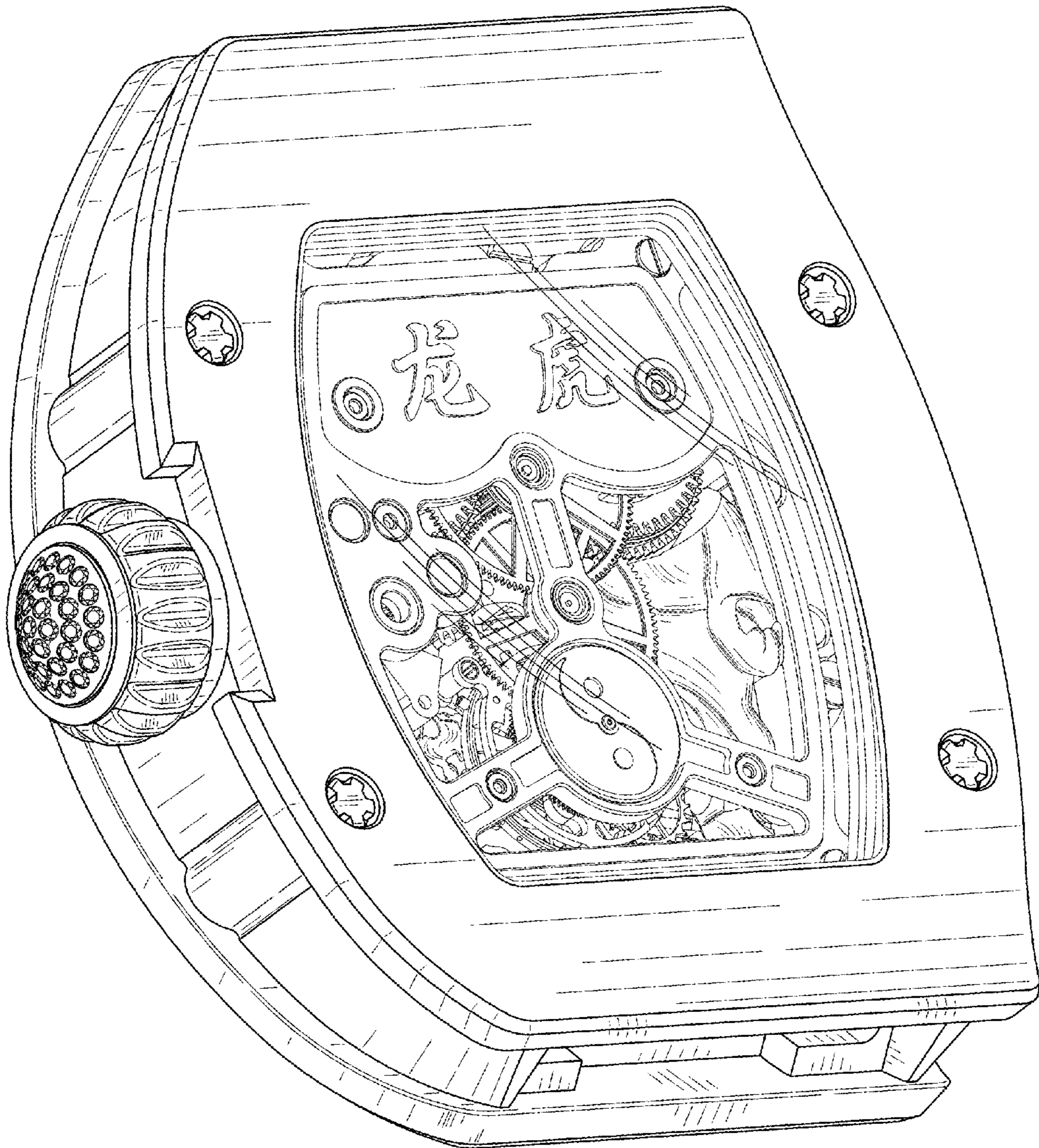


FIG. 10