



US00D731901S

(12) **United States Design Patent**  
**Mille**

(10) **Patent No.:** **US D731,901 S**  
(45) **Date of Patent:** **\*\* Jun. 16, 2015**

(54) **WATCH**

(71) Applicant: **Turlen Holding SA**, Soyhières (CH)

(72) Inventor: **Richard Mille**, Moulins (FR)

(73) Assignee: **TURLEN HOLDING SA**, Soyhieres (CH)

(\*\*) Term: **14 Years**

(21) Appl. No.: **29/484,962**

(22) Filed: **Mar. 14, 2014**

(30) **Foreign Application Priority Data**

Dec. 4, 2013 (WO) ..... DM/082 420

(51) **LOC (10) CL.** ..... **10-02**

(52) **U.S. CL.**  
USPC ..... **D10/39; D10/125**

(58) **Field of Classification Search**  
USPC ..... D10/30-39, 1-29, 122-132  
CPC ..... G04B 15/00; G04B 17/06; G04B 17/285;  
G04B 37/00; G04B 37/0008; G04B 37/225;  
G04B 45/00; G04B 45/0038; G04B 45/0069;  
G04B 45/0076; G04B 45/02

See application file for complete search history.

(56) **References Cited**

**U.S. PATENT DOCUMENTS**

D266,908	S	*	11/1982	Schwab et al.	.....	D10/39
D267,931	S	*	2/1983	Schwab et al.	.....	D10/39
4,376,996	A	*	3/1983	Wuthrich	.....	368/220
4,382,690	A	*	5/1983	Erard	.....	368/77
D279,552	S	*	7/1985	Maglioli	.....	D10/39
4,534,660	A	*	8/1985	Laesser	.....	368/220
D302,131	S	*	7/1989	Woomer	.....	D10/39

4,926,401	A	*	5/1990	Vuilleumier et al.	.....	368/88
D456,274	S	*	4/2002	Mille	.....	D10/30
D468,648	S	*	1/2003	Starck	.....	D10/38
D530,229	S	*	10/2006	Wunderman	.....	D10/32
D545,695	S	*	7/2007	Laucella	.....	D10/31
D570,710	S	*	6/2008	Wong	.....	D10/30
D640,572	S	*	6/2011	Calce	.....	D10/32
D650,708	S	*	12/2011	Laucella	.....	D10/39
D658,514	S	*	5/2012	Mille	.....	D10/39
D658,515	S	*	5/2012	Mille	.....	D10/39
D658,516	S	*	5/2012	Mille	.....	D10/39
D660,184	S	*	5/2012	Calce	.....	D10/32
D661,602	S	*	6/2012	Calce	.....	D10/32
D664,047	S	*	7/2012	Mille	.....	D10/39
D673,868	S	*	1/2013	Mille	.....	D10/39
D692,323	S	*	10/2013	Mille	.....	D10/39
2008/0013409	A1	*	1/2008	Bland et al.	.....	368/223

\* cited by examiner

*Primary Examiner* — Martie K Holtje

(74) *Attorney, Agent, or Firm* — Donald J. Ranft; Kristen A. Mogavero; Collen IP

(57) **CLAIM**

The ornamental design for a watch, as shown.

**DESCRIPTION**

FIG. 1 is a top right perspective view of a watch showing my new design;

FIG. 2 is a top left perspective view thereof;

FIG. 3 is a front view thereof;

FIG. 4 is a rear thereof;

FIG. 5 is a left side view thereof;

FIG. 6 is a right side view thereof;

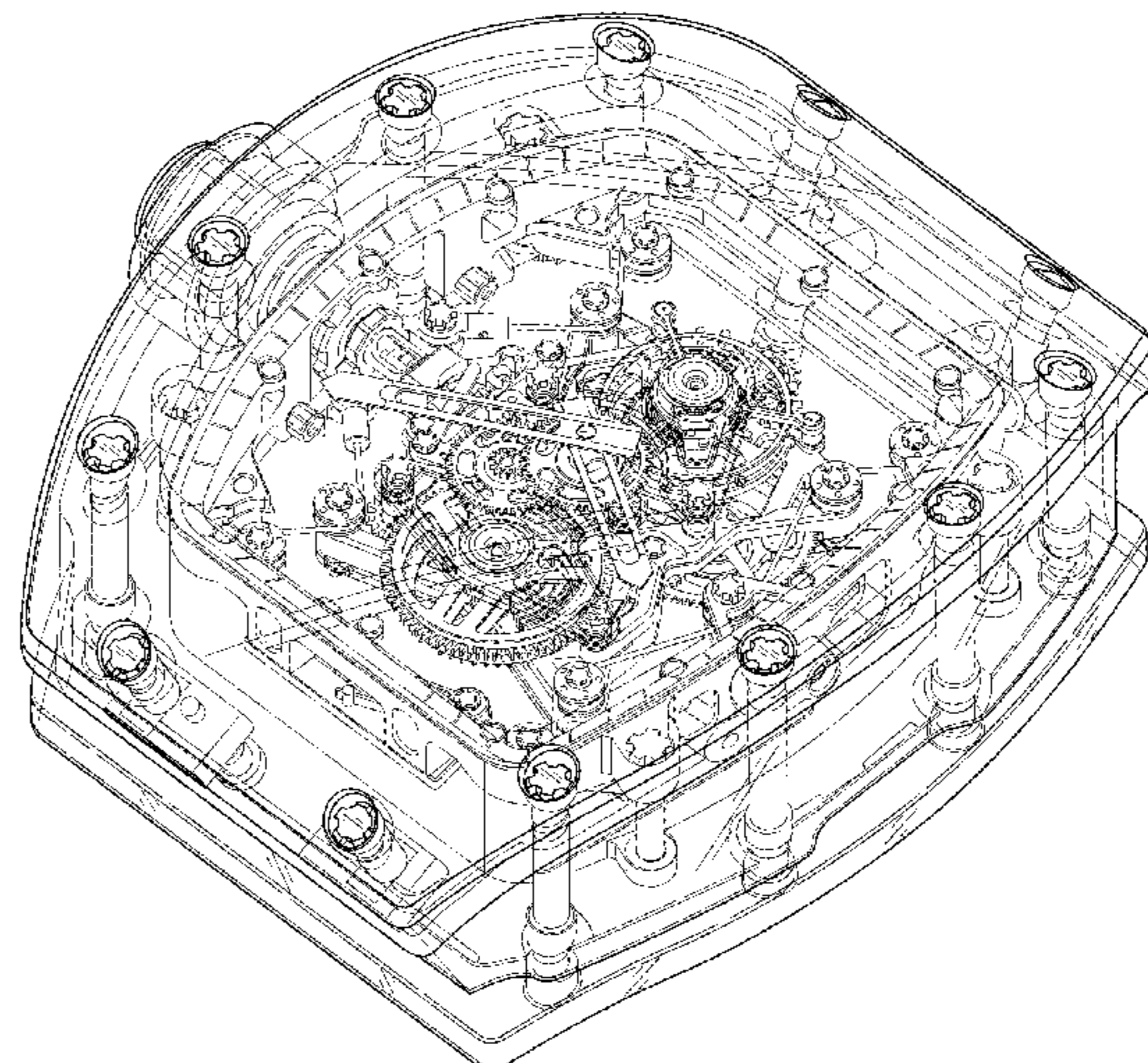
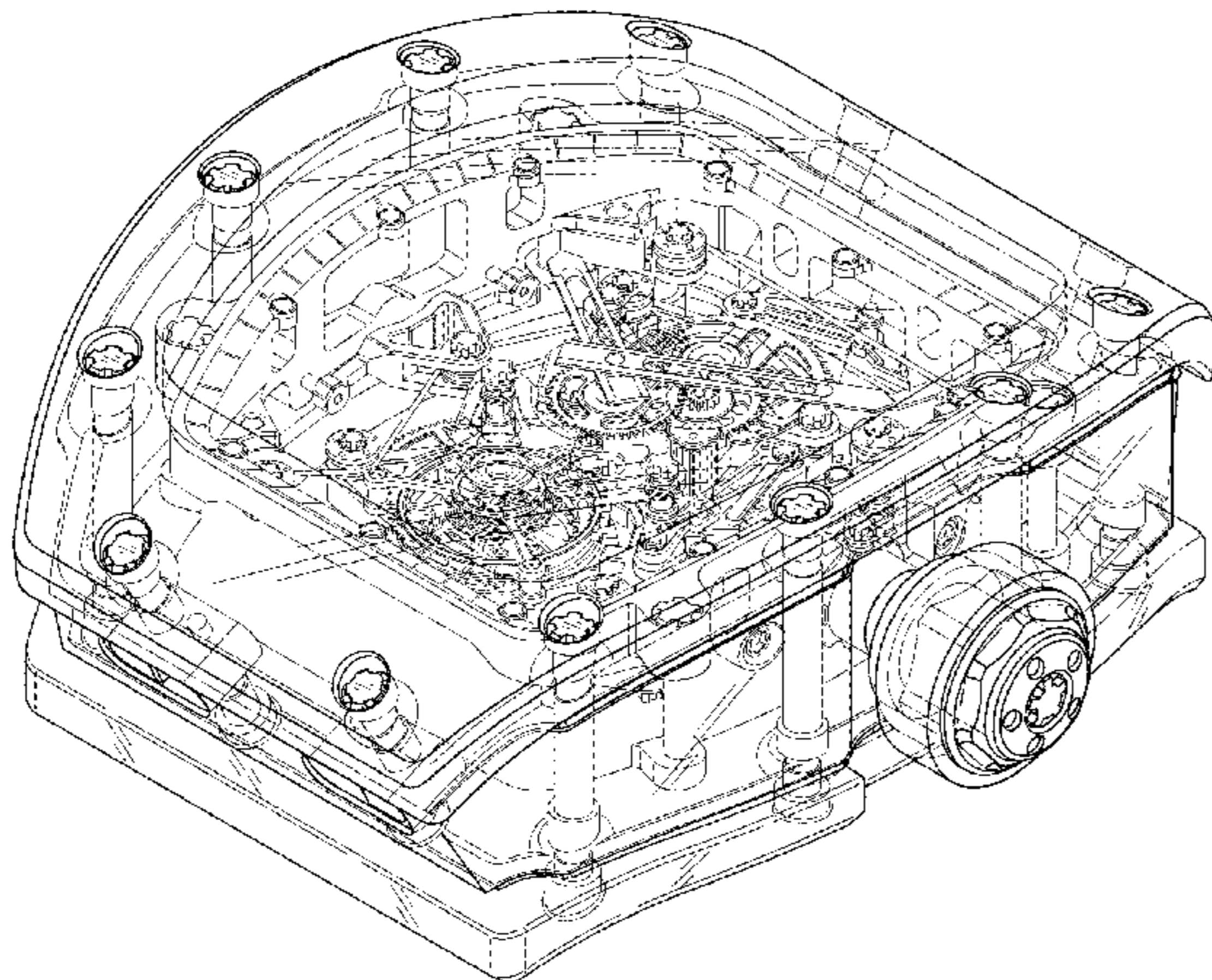
FIG. 7 is a top view thereof;

FIG. 8 is a bottom view thereof;

FIG. 9 is a bottom right perspective view thereof; and

FIG. 10 is a bottom left perspective view thereof.

**1 Claim, 10 Drawing Sheets**





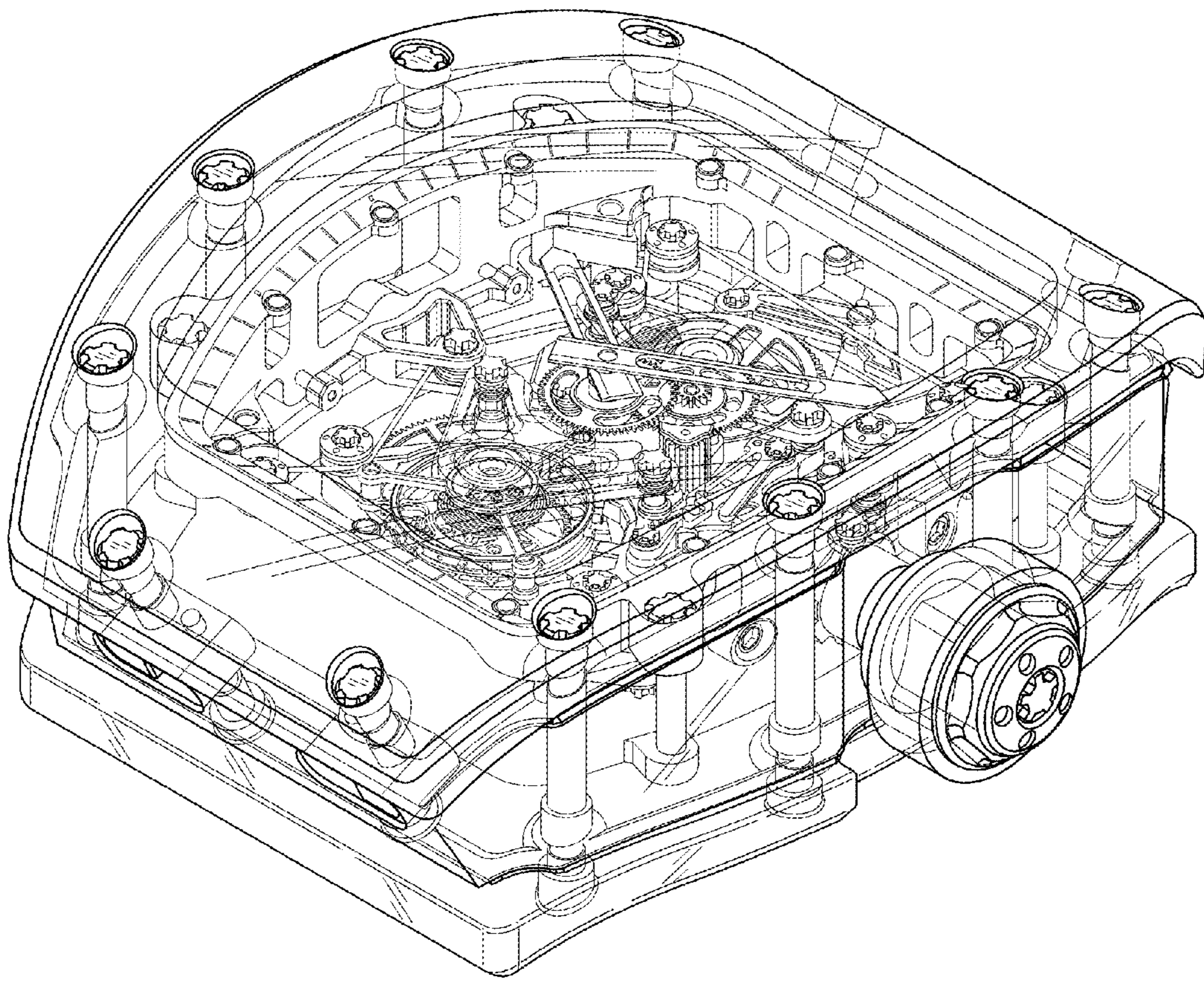


FIG. 1



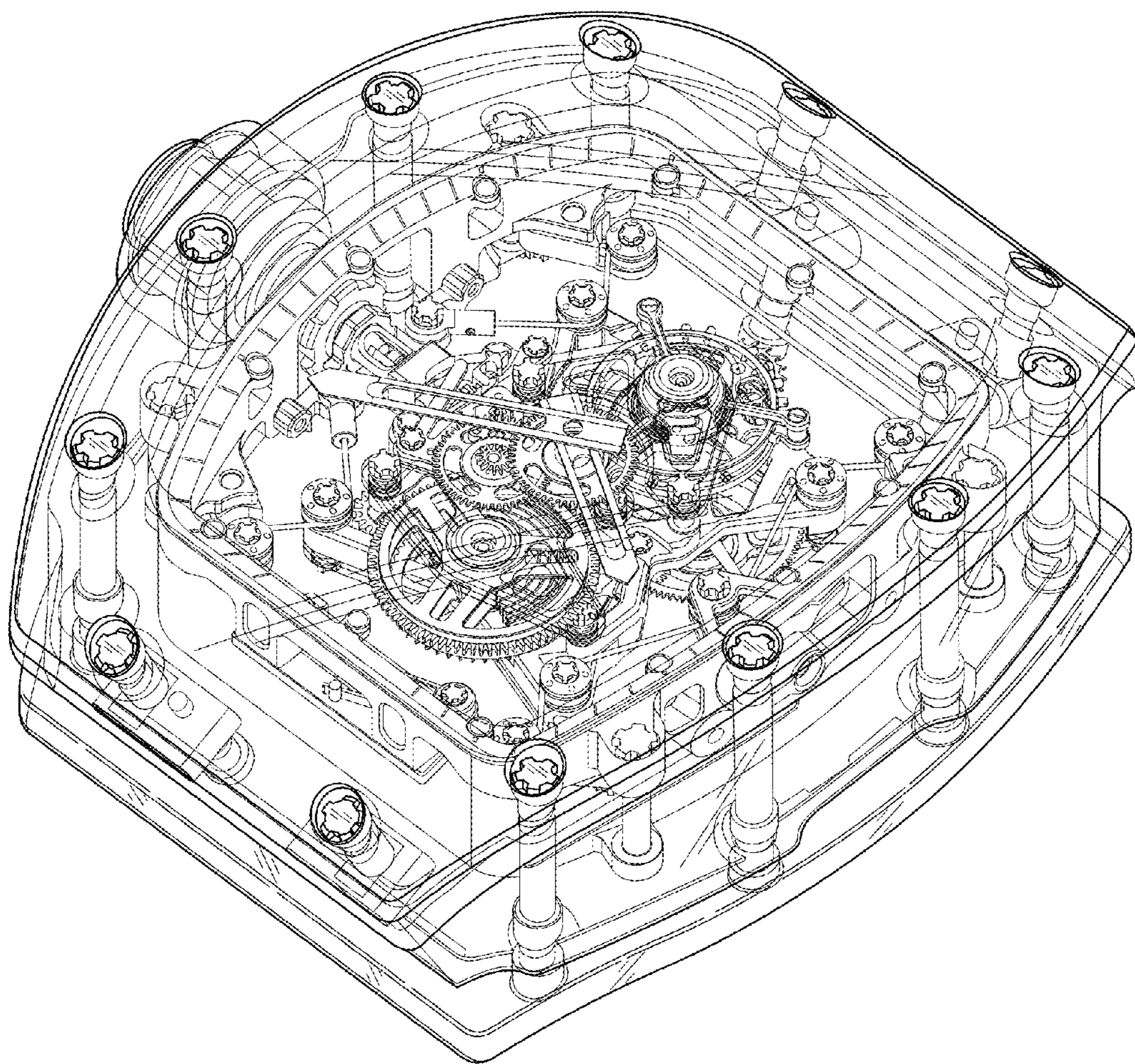


FIG. 2





FIG. 3

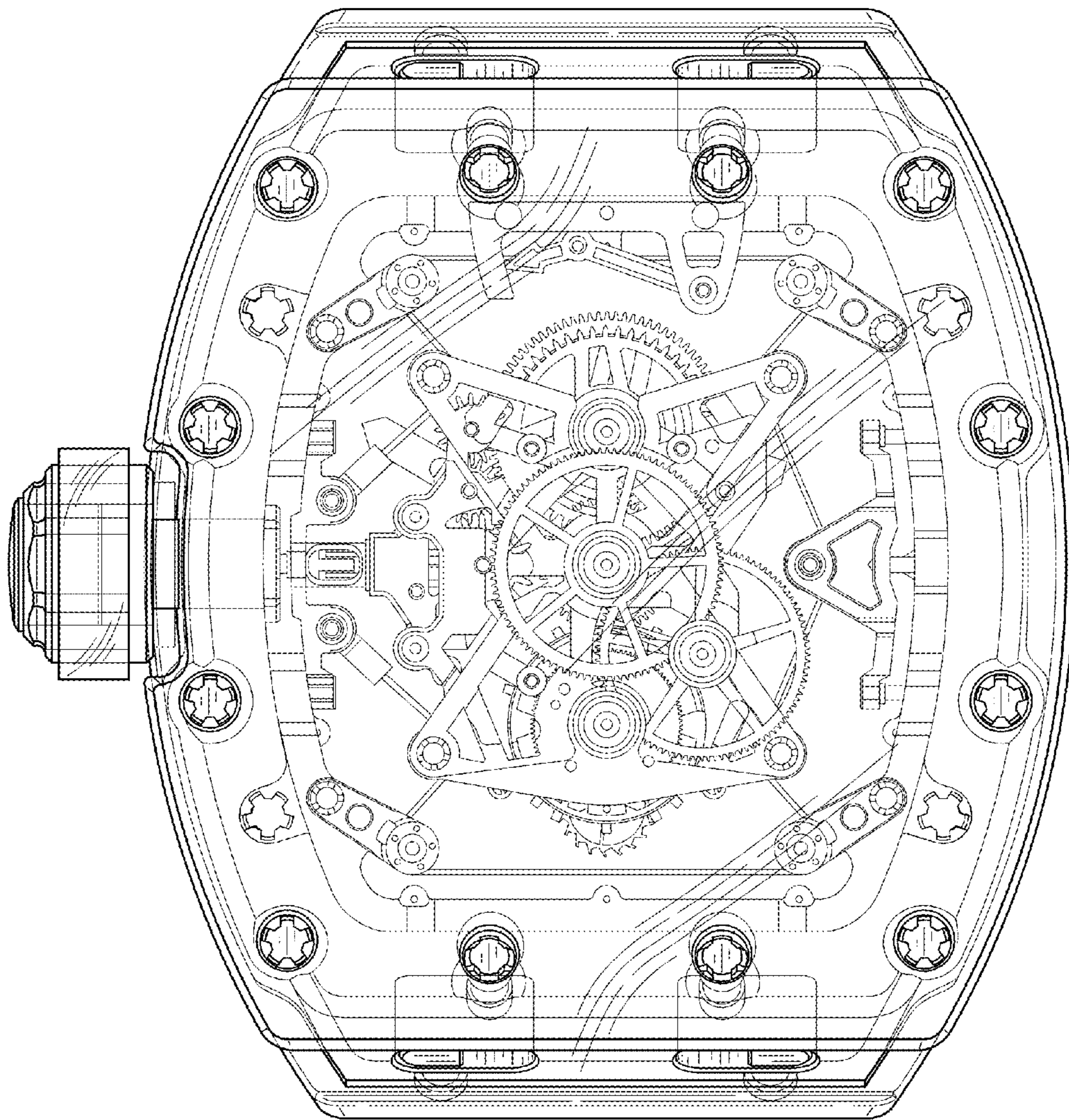


FIG. 4



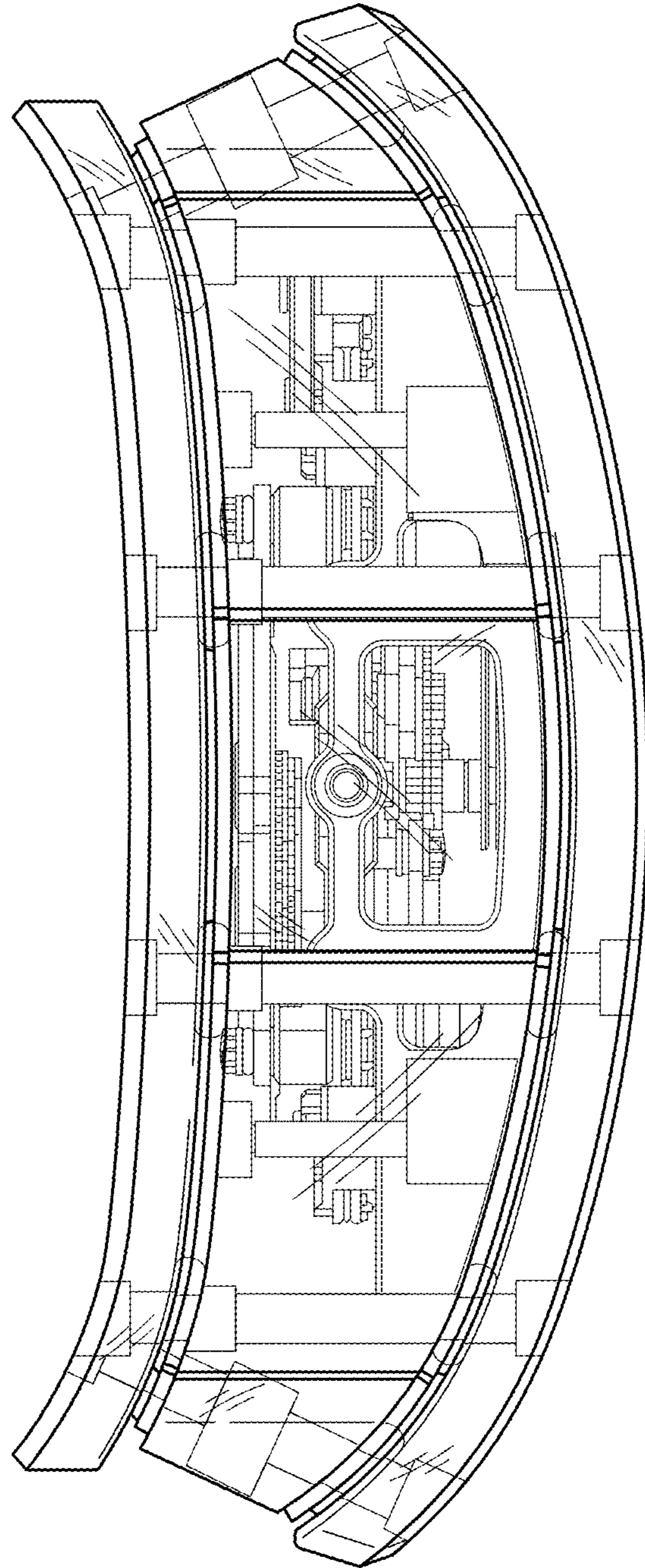


FIG. 5

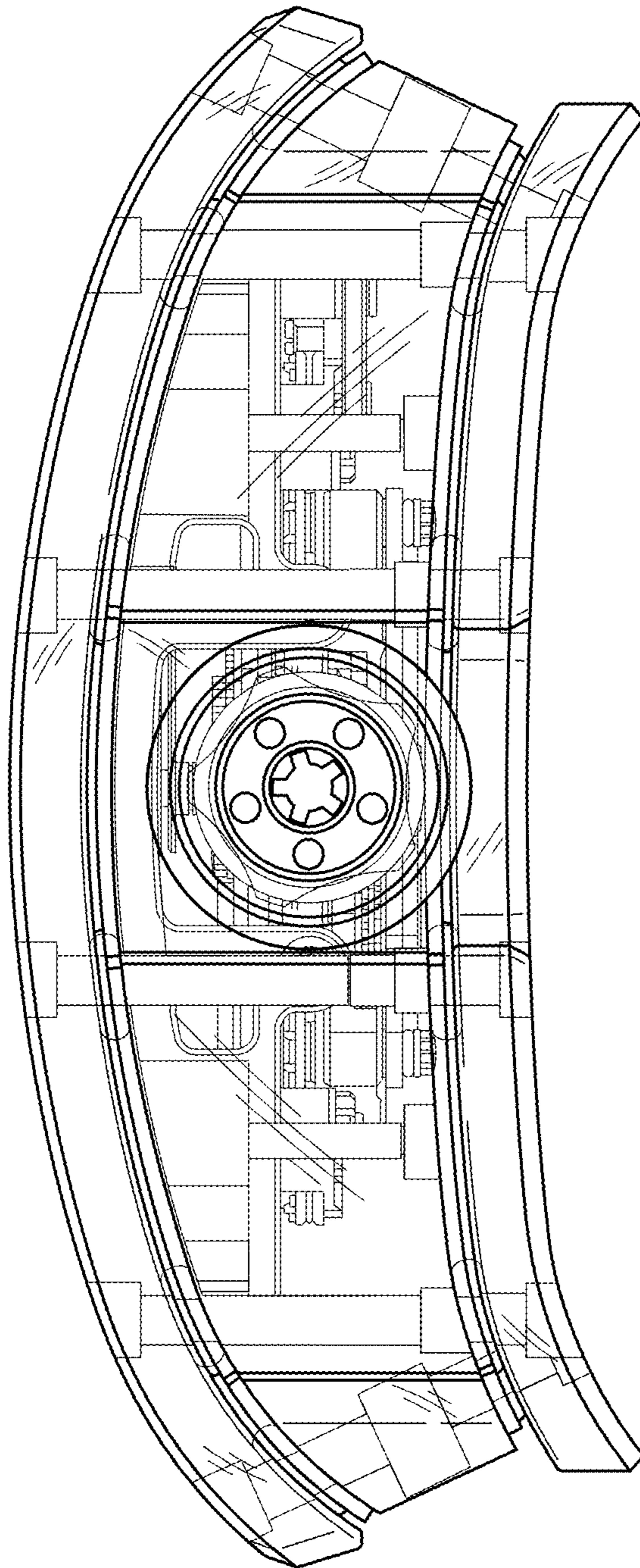


FIG. 6

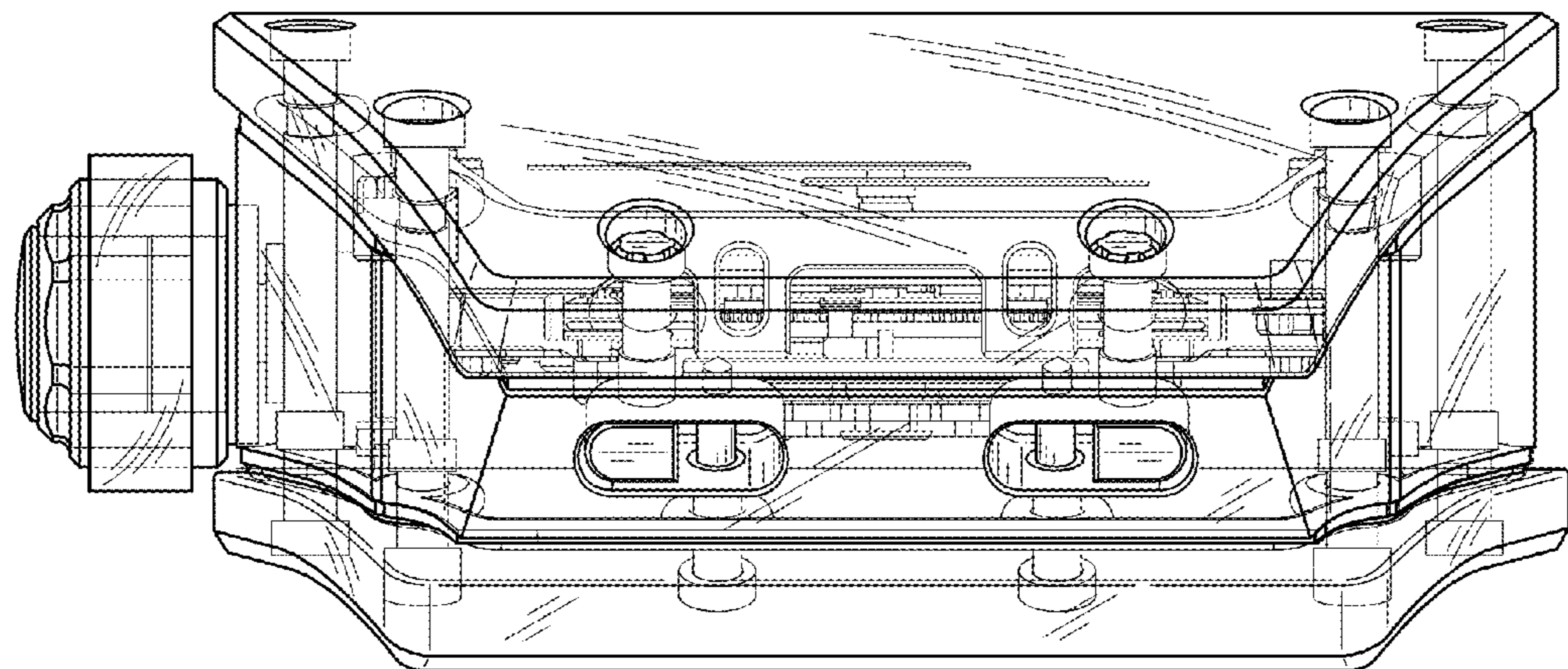


FIG. 7



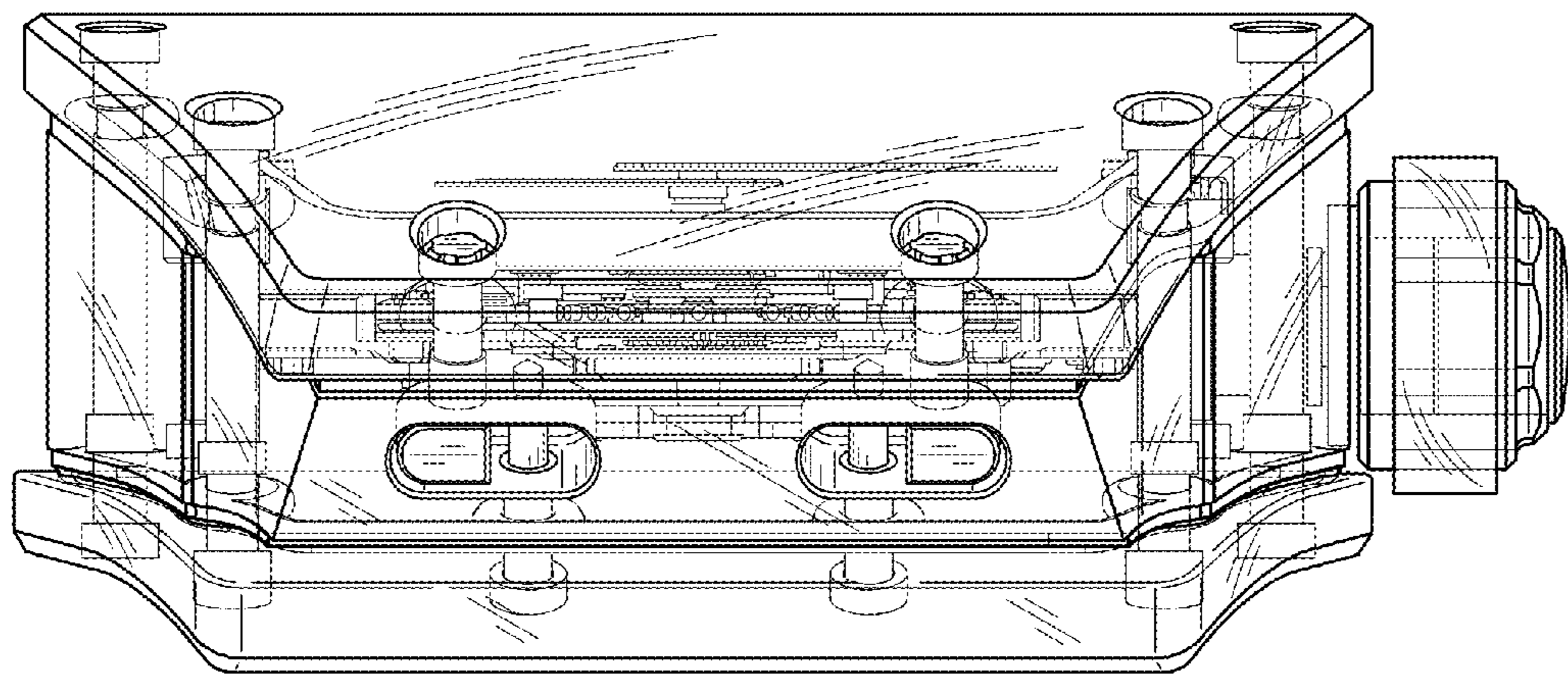


FIG. 8

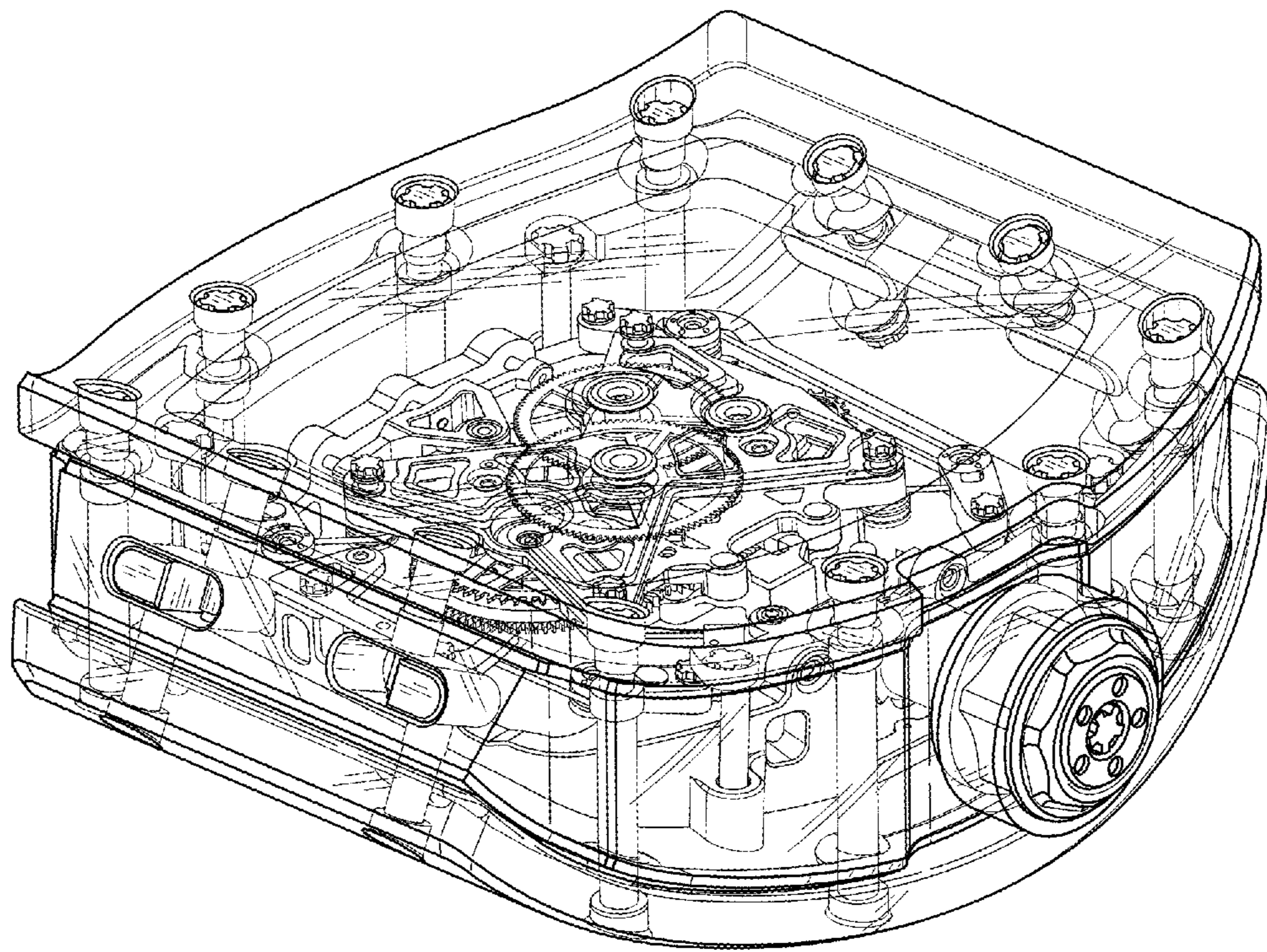


FIG. 9



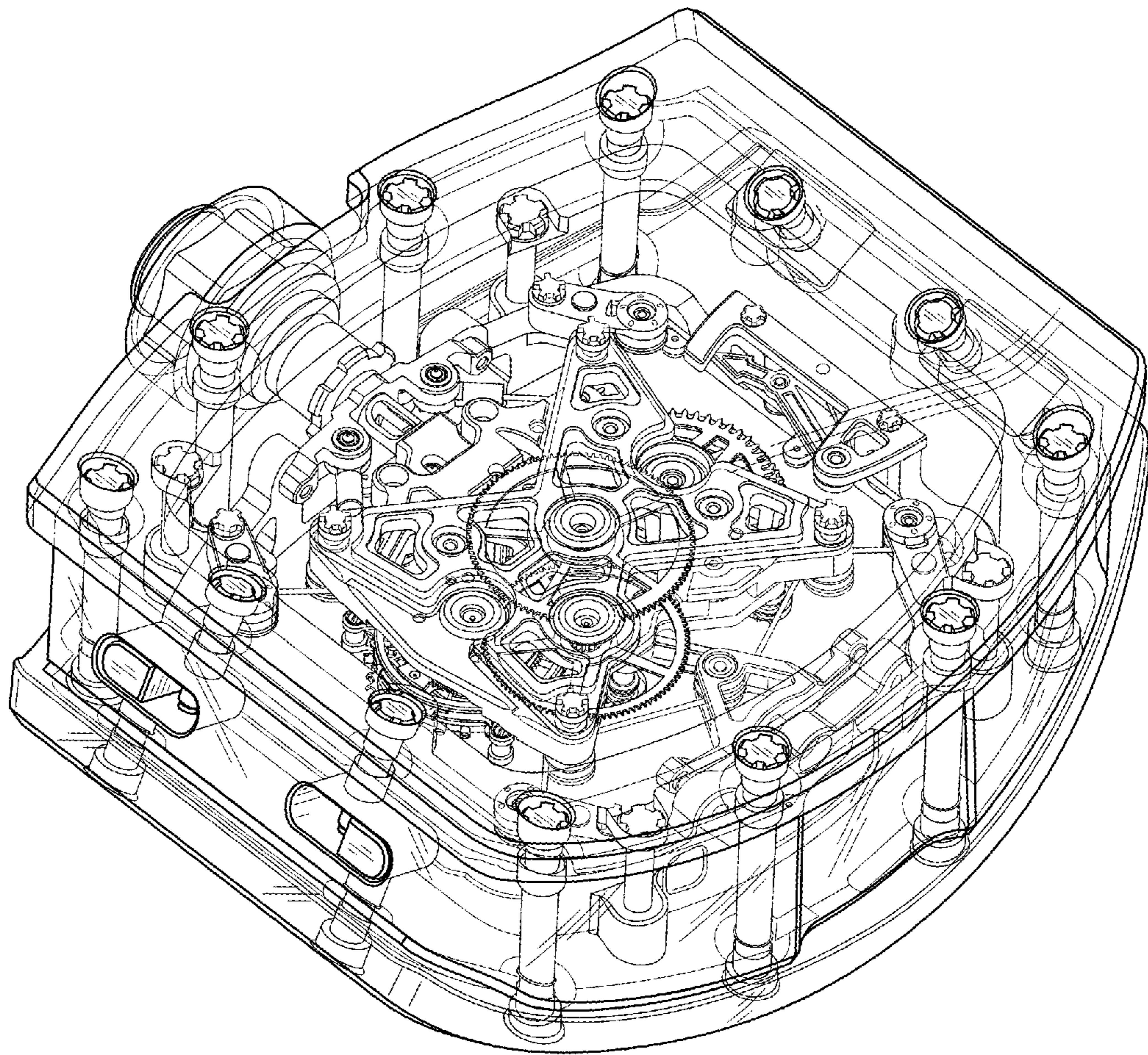


FIG. 10