



US00D731894S

(12) **United States Design Patent**
Meyer

(10) **Patent No.:** **US D731,894 S**
(45) **Date of Patent:** **** Jun. 16, 2015**

(54) **BOTTLE**

FOREIGN PATENT DOCUMENTS

(71) Applicant: **Alfred Kaercher GmbH & Co. KG**,
Winnenden (DE)

WO DM069780 2/2008

(72) Inventor: **Michael Meyer**, Schwaikheim (DE)

(73) Assignee: **Alfred Kaercher GmbH & Co. KG**,
Winnenden (DE)

(**) Term: **14 Years**

(21) Appl. No.: **29/454,871**

(22) Filed: **May 15, 2013**

(30) **Foreign Application Priority Data**

Nov. 19, 2012 (WO) DM/079 538

(51) **LOC (10) Cl.** **09-01**

(52) **U.S. Cl.**
USPC **D9/561; D9/453; D9/454; D9/563;**
D9/574

(58) **Field of Classification Search**

USPC D9/434-435, 451-454, 516, 522, 559,
D9/561, 563, 574, 682, 685, 715, 718-719,
D9/722; D23/225; 215/379, 381-382;
220/660, 669, 675

CPC B65D 1/00; B65D 1/02; B65D 1/0223;
B65D 23/00; B65D 2501/00; B65D
2501/0009; B65D 2501/0081

See application file for complete search history.

(56) **References Cited**

U.S. PATENT DOCUMENTS

D356,737 S * 3/1995 Ginsberg D9/561
D467,183 S * 12/2002 Chew D9/561
D489,271 S * 5/2004 Soomar D9/561
D678,770 S * 3/2013 Kawamura D9/452
D696,958 S * 1/2014 Rex D9/560
D719,455 S * 12/2014 Perez-Cabrera D9/559

OTHER PUBLICATIONS

Extract from catalog of Alfred Kaercher GmbH & Co. KG,
“Programme 2008”, cover, pp. 48-51, 87, 88, 150-153, 204, 205, 207,
258, 259, 312, 338-341, 343 and last page (Dec. 2007).

Extract from catalog of Alfred Kaercher GmbH & Co. KG,
“Programme 2009 Kaercher Professional Commercial”, cover, pp.
79, 141, 249 and last page (Mar. 2009).

Extract from catalog of Alfred Kaercher GmbH & Co. KG,
“Programme 2009 Kaercher Residential”, cover, p. 43, and last page
(Mar. 2009).

(Continued)

Primary Examiner — Ian Simmons

Assistant Examiner — Dana L Meyrow

(74) *Attorney, Agent, or Firm* — Lipsitz & McAllister, LLC

(57) **CLAIM**

The ornamental design for a bottle, as shown and described.

DESCRIPTION

FIG. 1 is a front and top perspective view of a bottle showing
my new design;

FIG. 2 is a top and right side perspective view thereof;

FIG. 3 is a top and rear perspective view thereof;

FIG. 4 is a top and left side perspective view thereof;

FIG. 5 is a top plan view thereof;

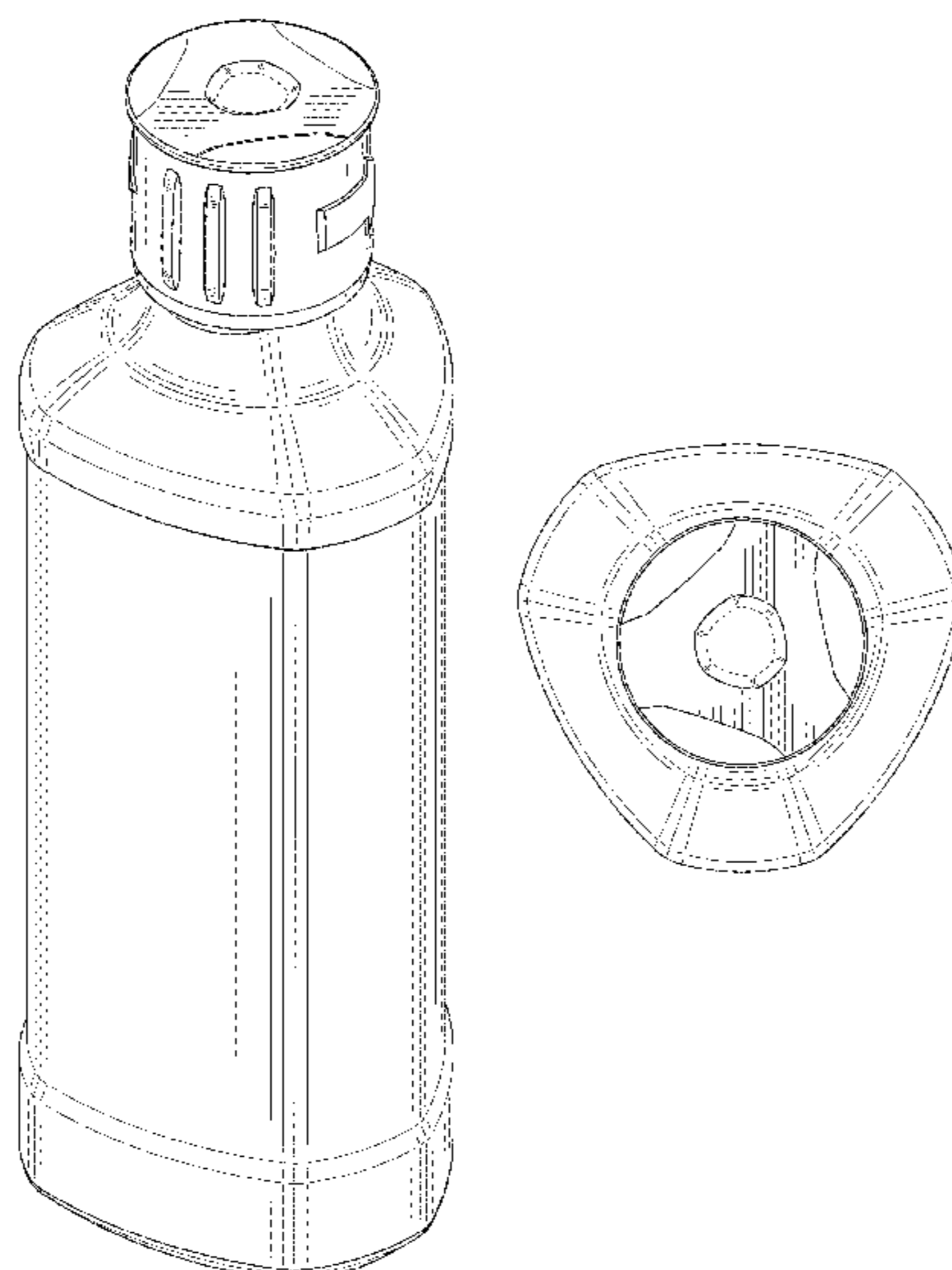
FIG. 6 is a front elevational view thereof;

FIG. 7 is a rear elevational view thereof; and,

FIG. 8 is a left side elevational view thereof.

The broken lines in the drawings showing a portion of the top
surface of the bottle closure illustrate a portion of the design
that forms no part of the claim.

1 Claim, 8 Drawing Sheets



(56)

References Cited

OTHER PUBLICATIONS

Extract from catalog of Alfred Kaercher GmbH & Co. KG,
“Programme 2009 Kaercher Industrial”, cover, p. 65 and last page
(Mar. 2009).

Extract from catalog of Alfred Kaercher GmbH & Co. KG,
“Programme 2010 Kaercher Home & Garden”, cover, p. 40 and last
page (Nov. 2009).

* cited by examiner

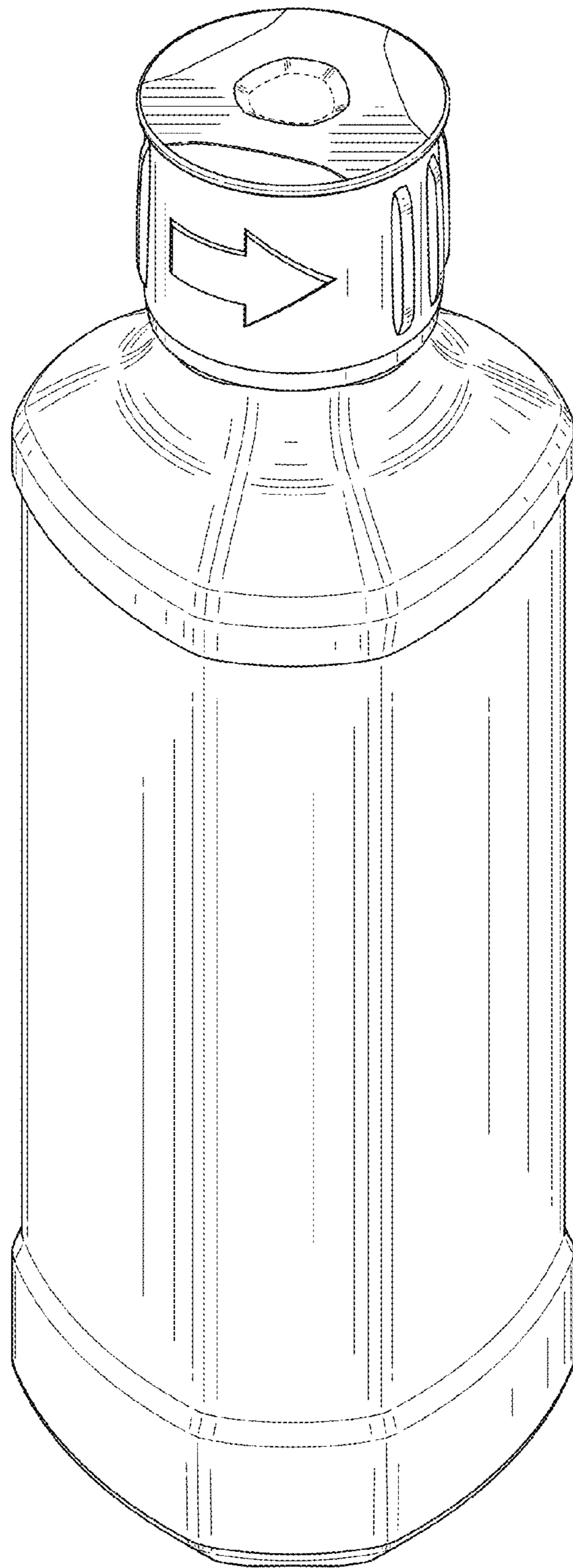


FIG. 1

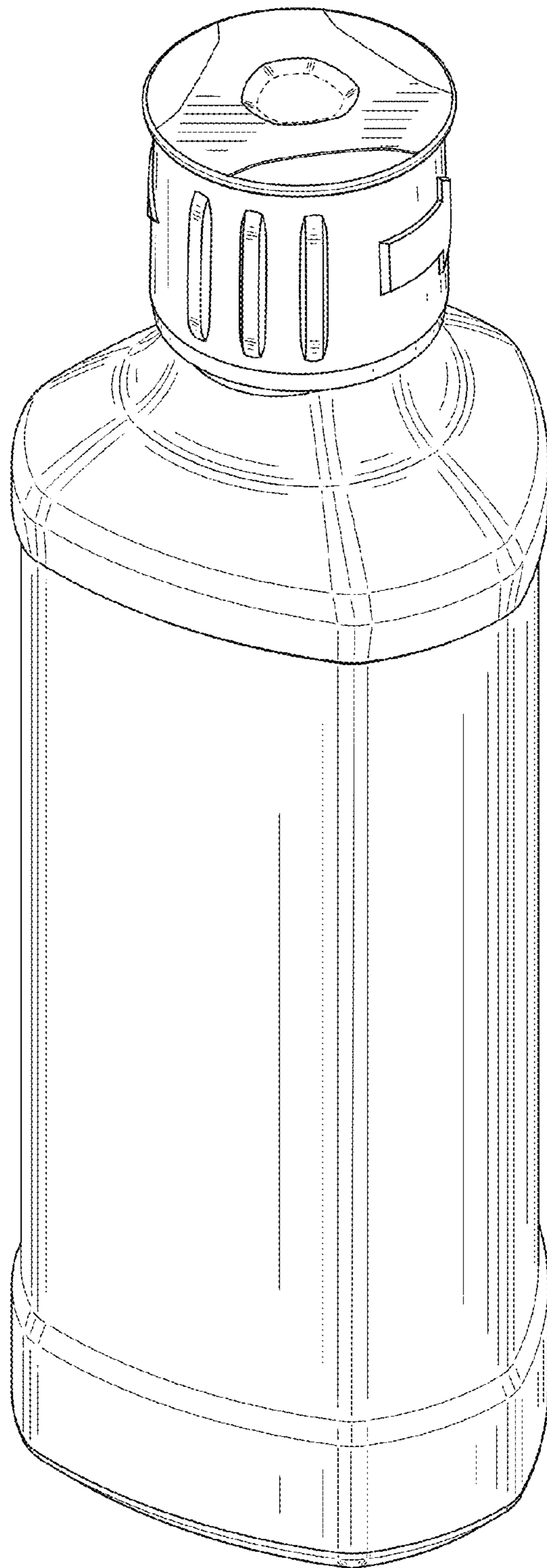


FIG. 2

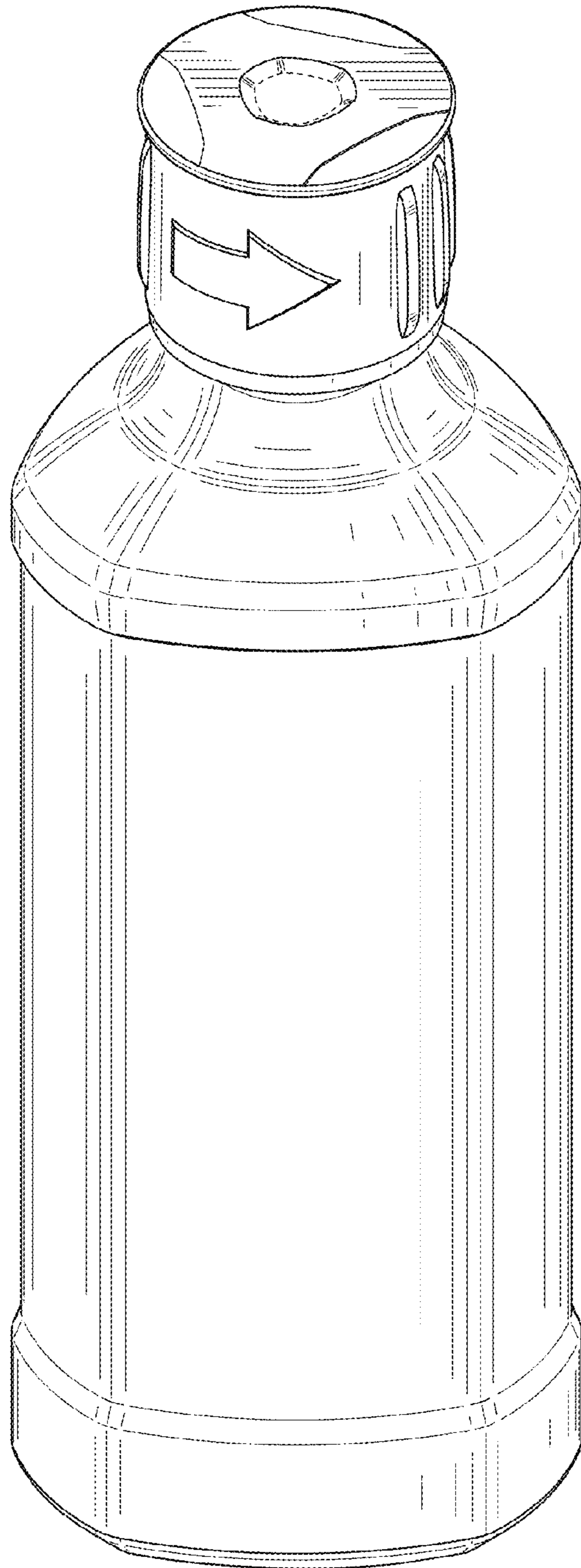


FIG. 3

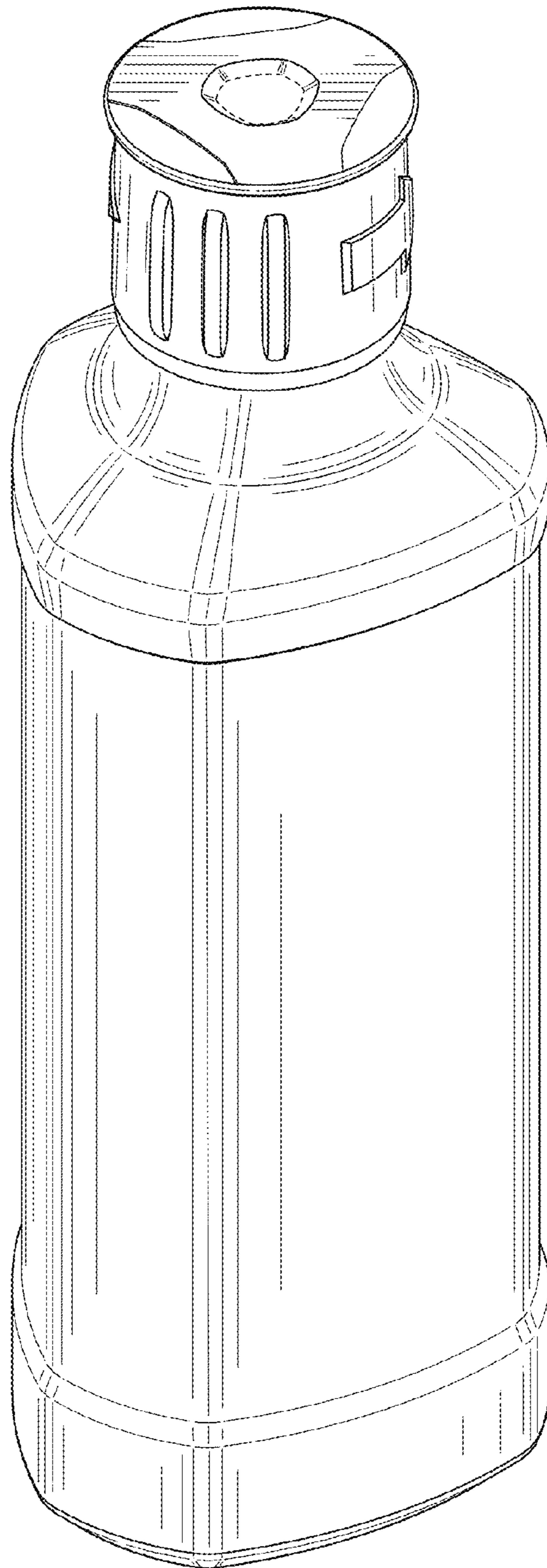


FIG. 4

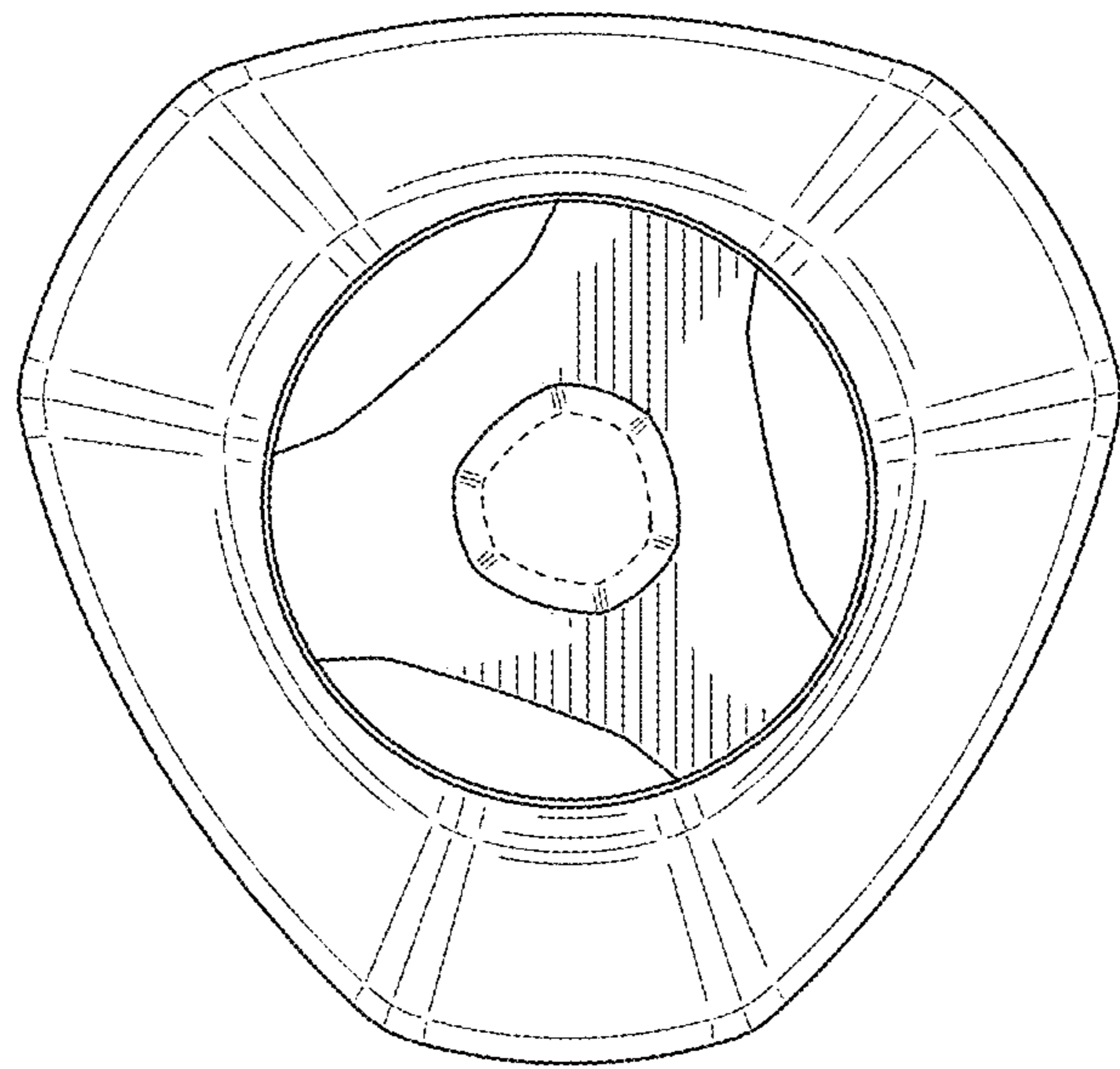


FIG. 5

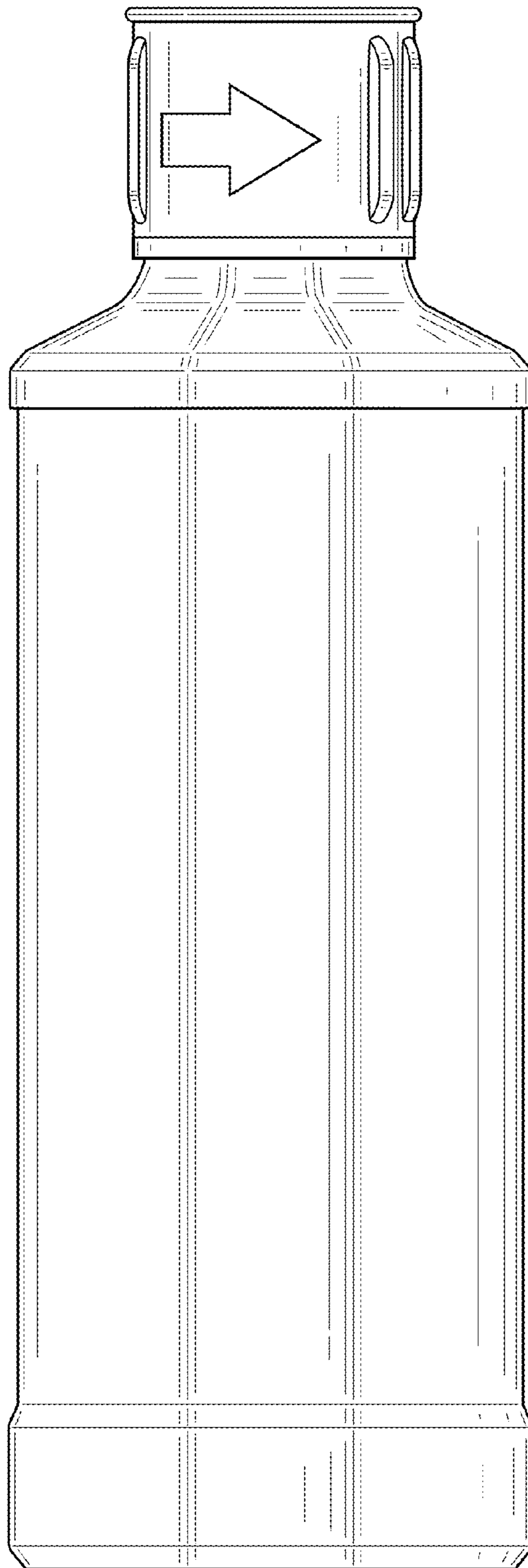


FIG. 6

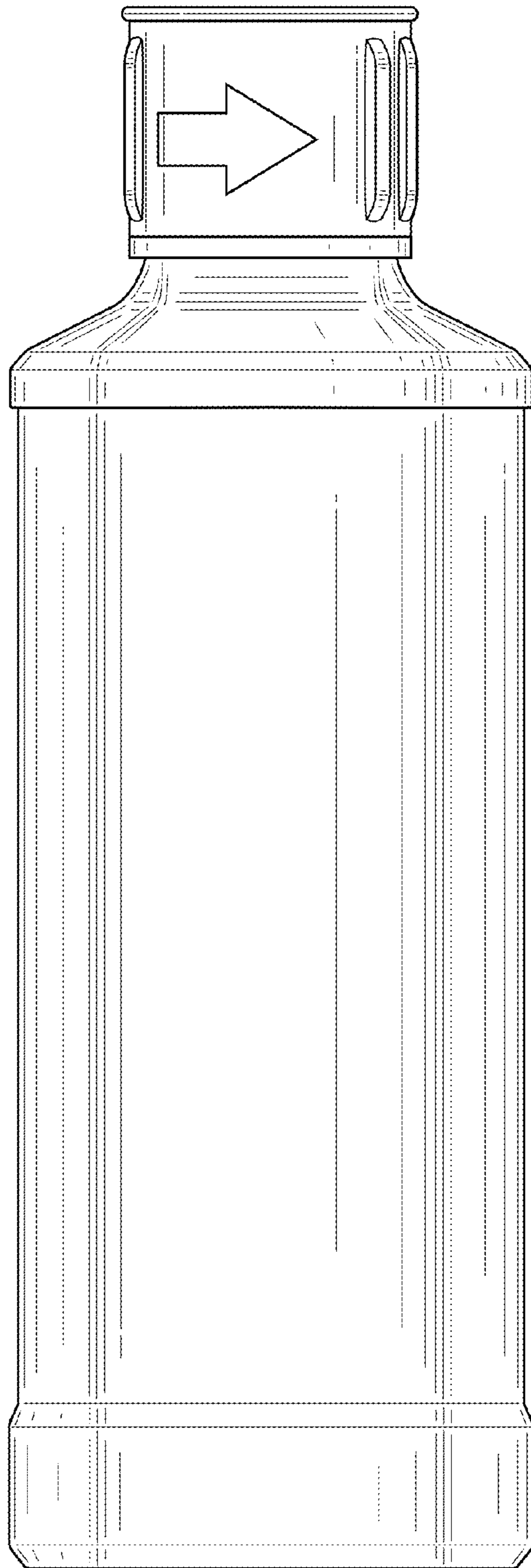


FIG. 7

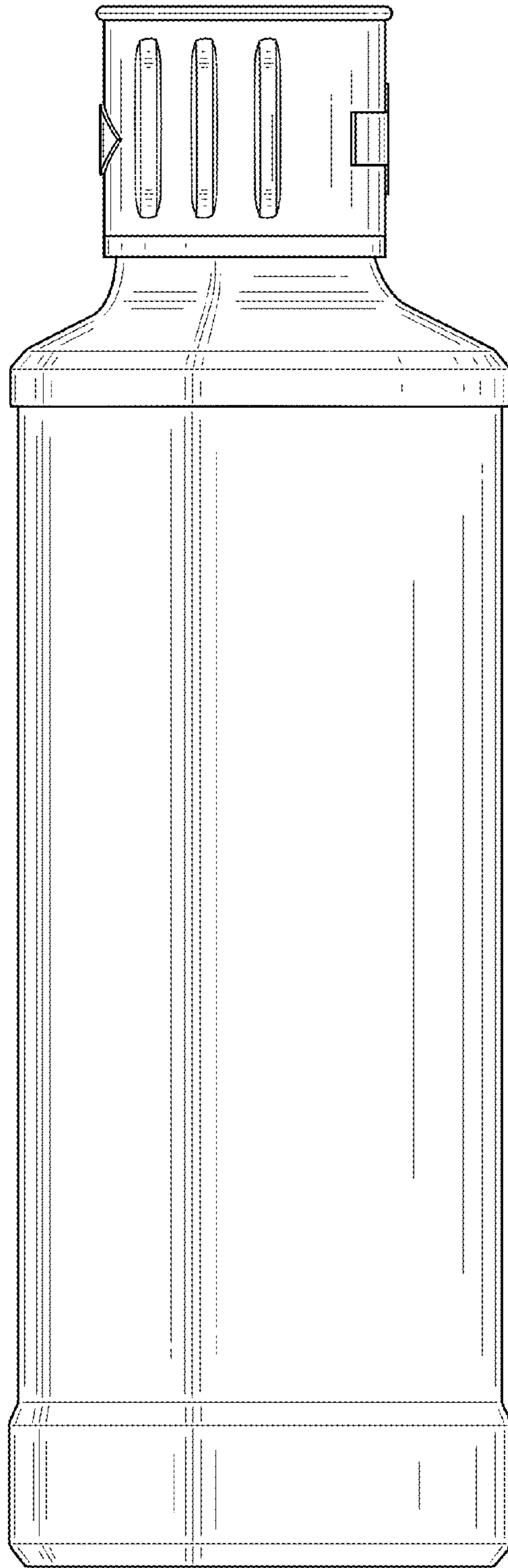


FIG. 8