



US00D731891S

(12) **United States Design Patent**  
**Servaire**

(10) **Patent No.:** **US D731,891 S**

(45) **Date of Patent:** **\*\* Jun. 16, 2015**

(54) **FLASK FOR COSMETIC**

(71) Applicant: **GUERLAIN SOCIETE ANONYME,**  
Paris (FR)

(72) Inventor: **Sebastien Servaire,** Paris (FR)

(73) Assignee: **GUERLAIN SOCIETE ANONYME,**  
Paris (FR)

(\*\*) Term: **14 Years**

(21) Appl. No.: **29/478,993**

(22) Filed: **Jan. 10, 2014**

(30) **Foreign Application Priority Data**

Jul. 10, 2013 (EM) ..... 001377444

(51) **LOC (10) Cl.** ..... **09-01**

(52) **U.S. Cl.**  
USPC ..... **D9/504**

(58) **Field of Classification Search**

USPC ..... D9/434-435, 444-445, 454, 500,  
D9/502-505, 516, 529, 549, 558, 575;  
D26/9-11, 22; D28/73, 76-77, 91;  
215/379, 381-382; 220/660, 662, 675

CPC ..... B65D 23/00; B65D 2501/00  
See application file for complete search history.

(56) **References Cited**

**U.S. PATENT DOCUMENTS**

D223,691 S \* 5/1972 Newman ..... D28/77  
D324,496 S \* 3/1992 Poandl ..... D9/559  
D373,084 S \* 8/1996 Choi ..... D9/504

D404,647 S \* 1/1999 Federighi ..... D9/439  
D531,497 S \* 11/2006 Blasko et al. .... D9/455  
D536,963 S \* 2/2007 Blasko et al. .... D9/503  
D537,339 S \* 2/2007 Blasko et al. .... D9/503  
D537,710 S \* 3/2007 Blasko et al. .... D9/503  
D539,135 S \* 3/2007 Blasko et al. .... D9/503  
D548,589 S \* 8/2007 Blasko et al. .... D9/428  
D549,095 S \* 8/2007 Blasko et al. .... D9/503  
D551,072 S \* 9/2007 Blasko et al. .... D9/503  
D551,073 S \* 9/2007 Blasko et al. .... D9/503  
D551,962 S \* 10/2007 Blasko et al. .... D9/503  
D551,963 S \* 10/2007 Blasko et al. .... D9/503  
D551,964 S \* 10/2007 Blasko et al. .... D9/503  
D551,965 S \* 10/2007 Blasko et al. .... D9/503  
D551,966 S \* 10/2007 Blasko et al. .... D9/503  
D553,491 S \* 10/2007 Blasko et al. .... D9/503  
D581,279 S \* 11/2008 Oates ..... D9/529

\* cited by examiner

*Primary Examiner* — Ian Simmons

*Assistant Examiner* — Dana L Meyrow

(74) *Attorney, Agent, or Firm* — Stephen J. Weyer; Stites &  
Harbison PLLC

(57) **CLAIM**

The ornamental design for a flask for cosmetic, as shown.

**DESCRIPTION**

FIG. 1 is a front, top and left side perspective view of a flask for cosmetic showing the new design.

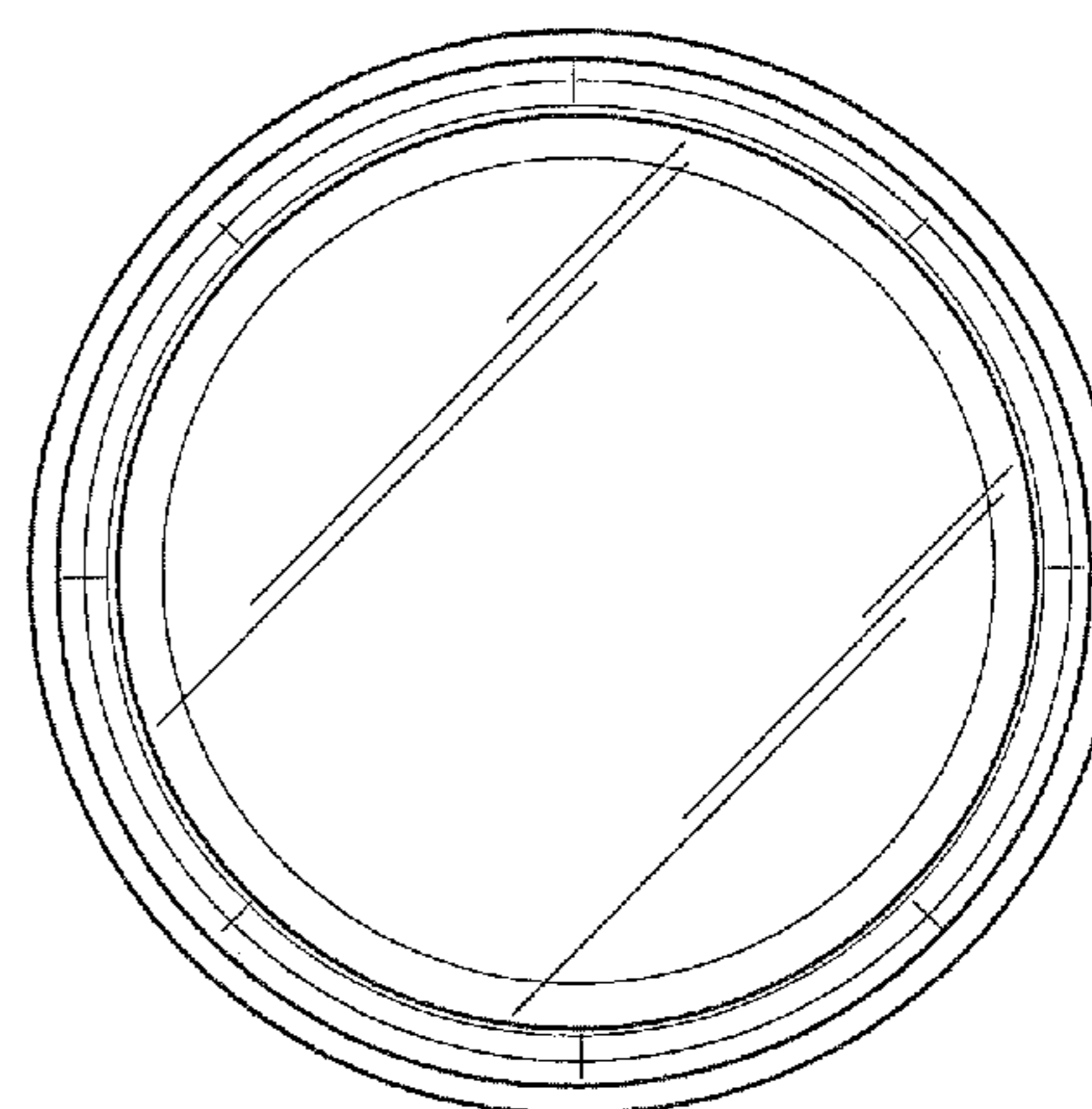
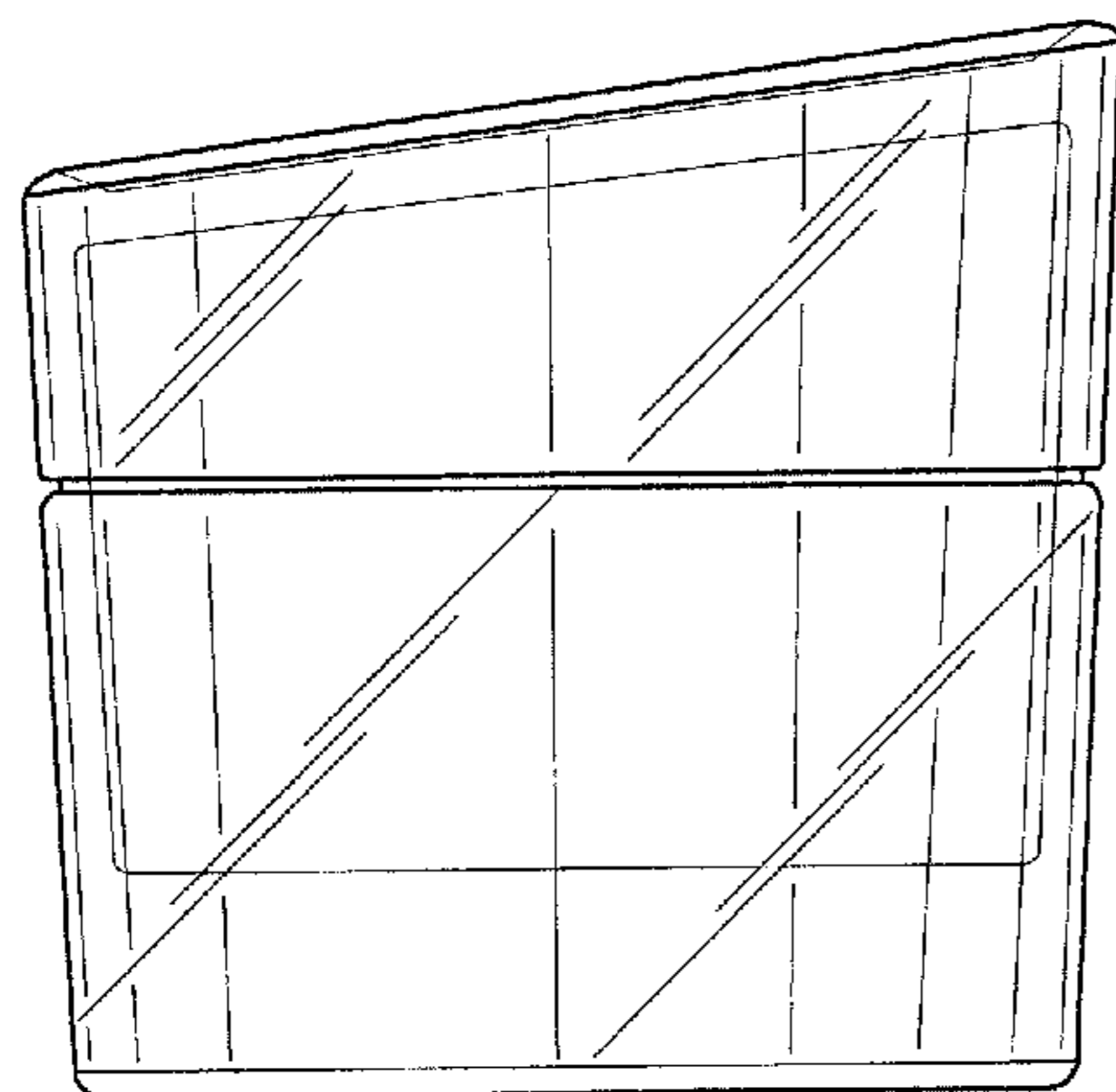
FIG. 2 is a front view thereof.

FIG. 3 is rear view thereof.

FIG. 4 is a right side view thereof, the left side view being a mirror image; and,

FIG. 5 a top view thereof.

**1 Claim, 3 Drawing Sheets**



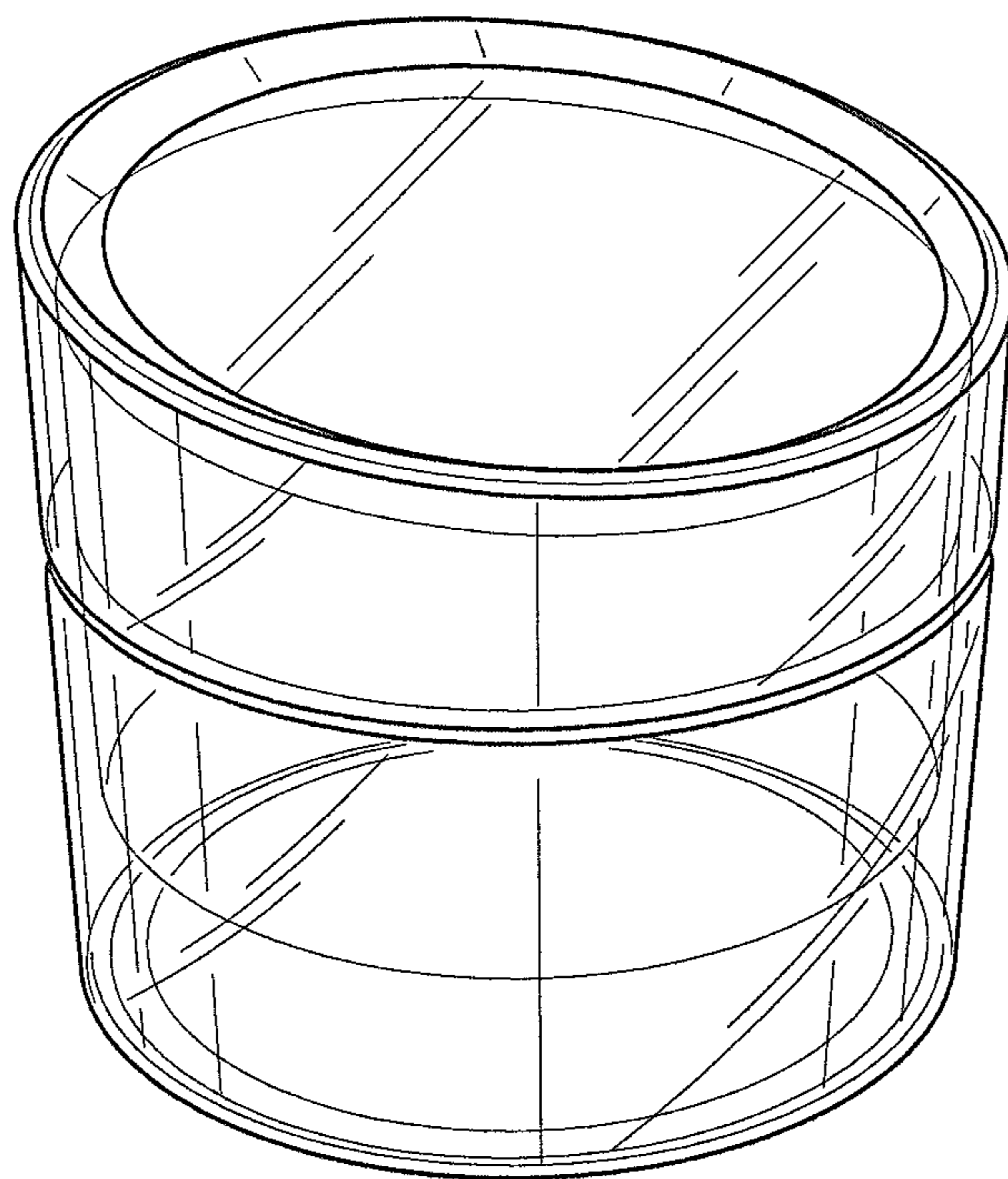


FIG. 1

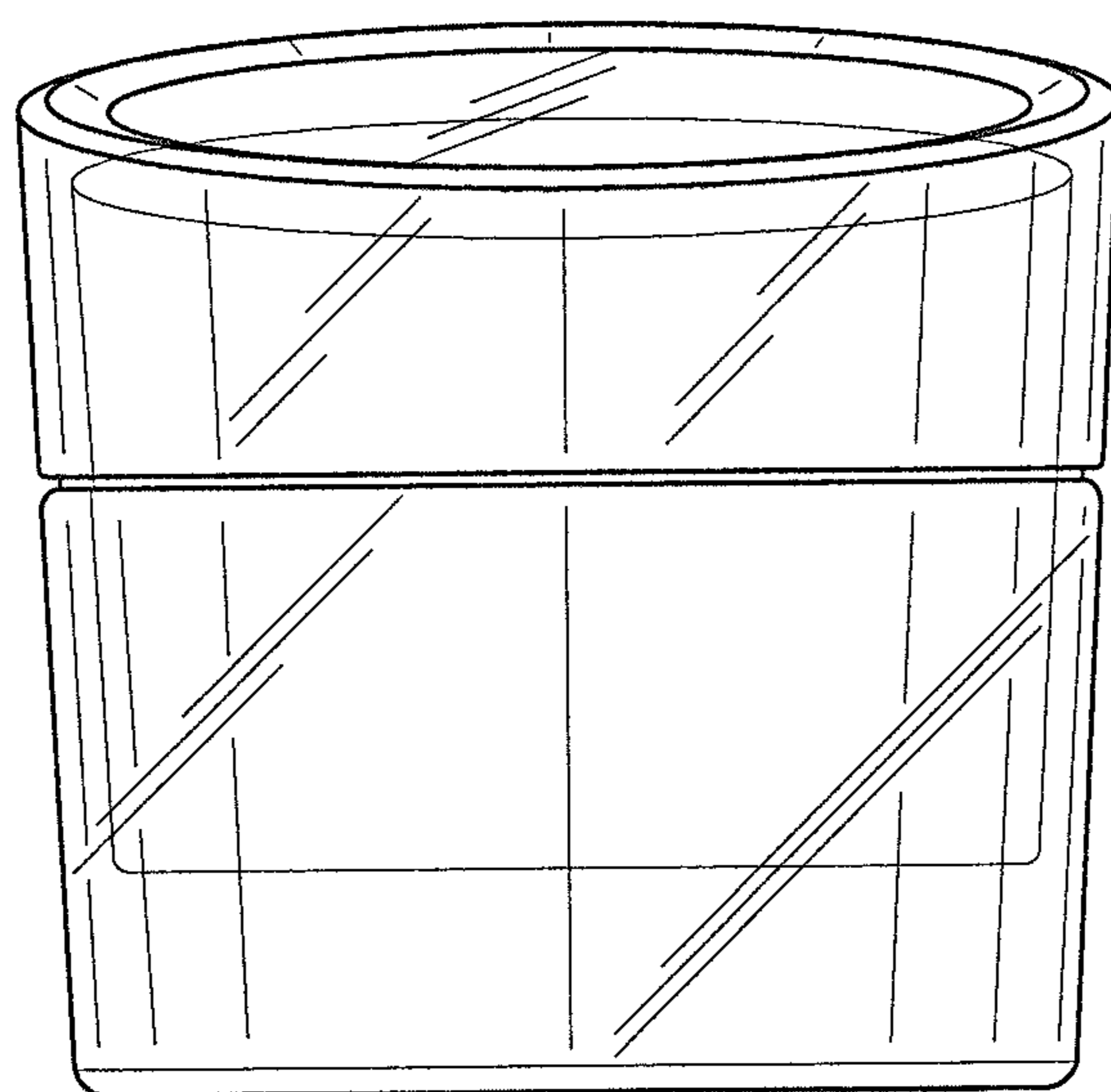


FIG. 2

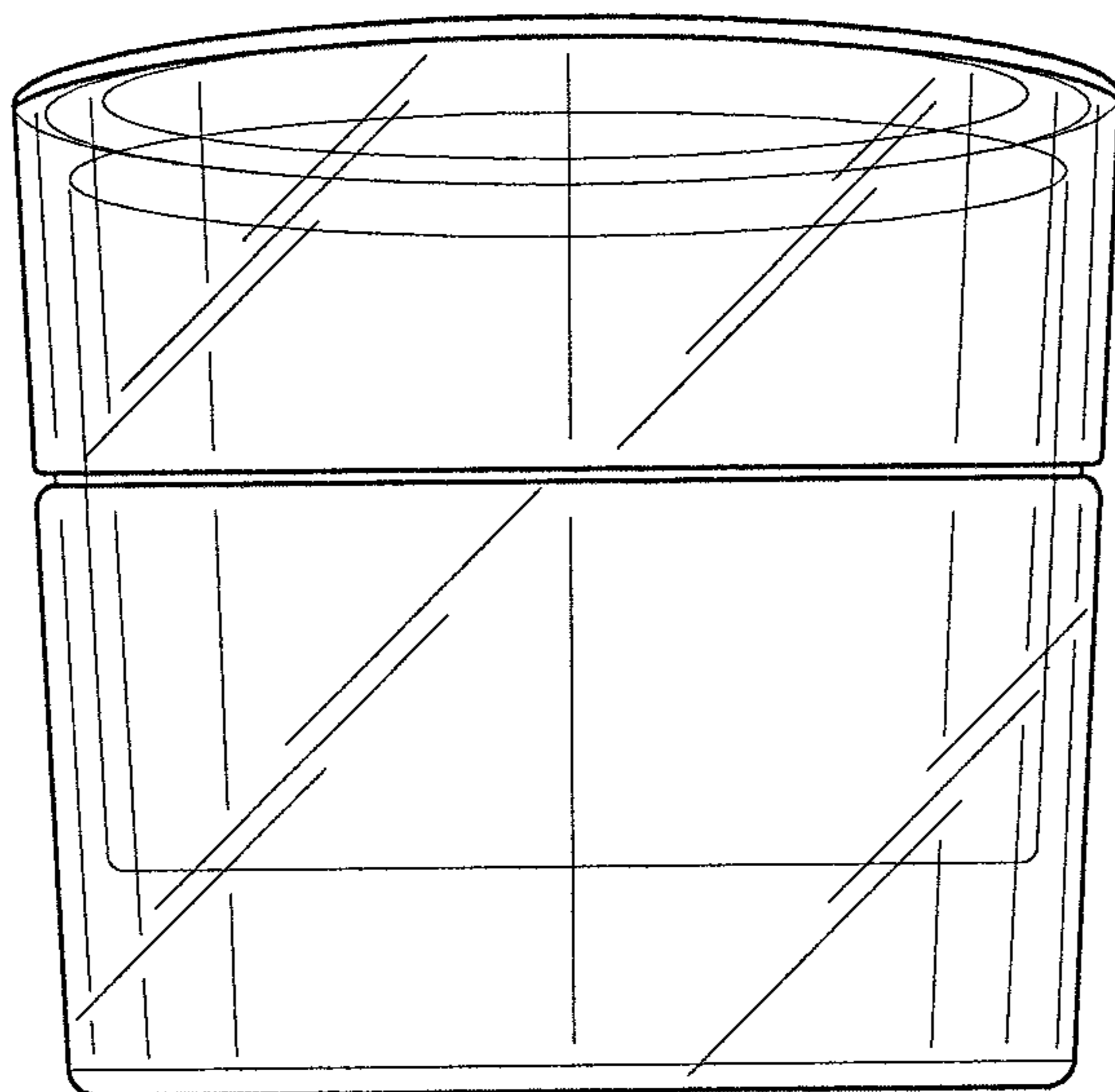


FIG. 3

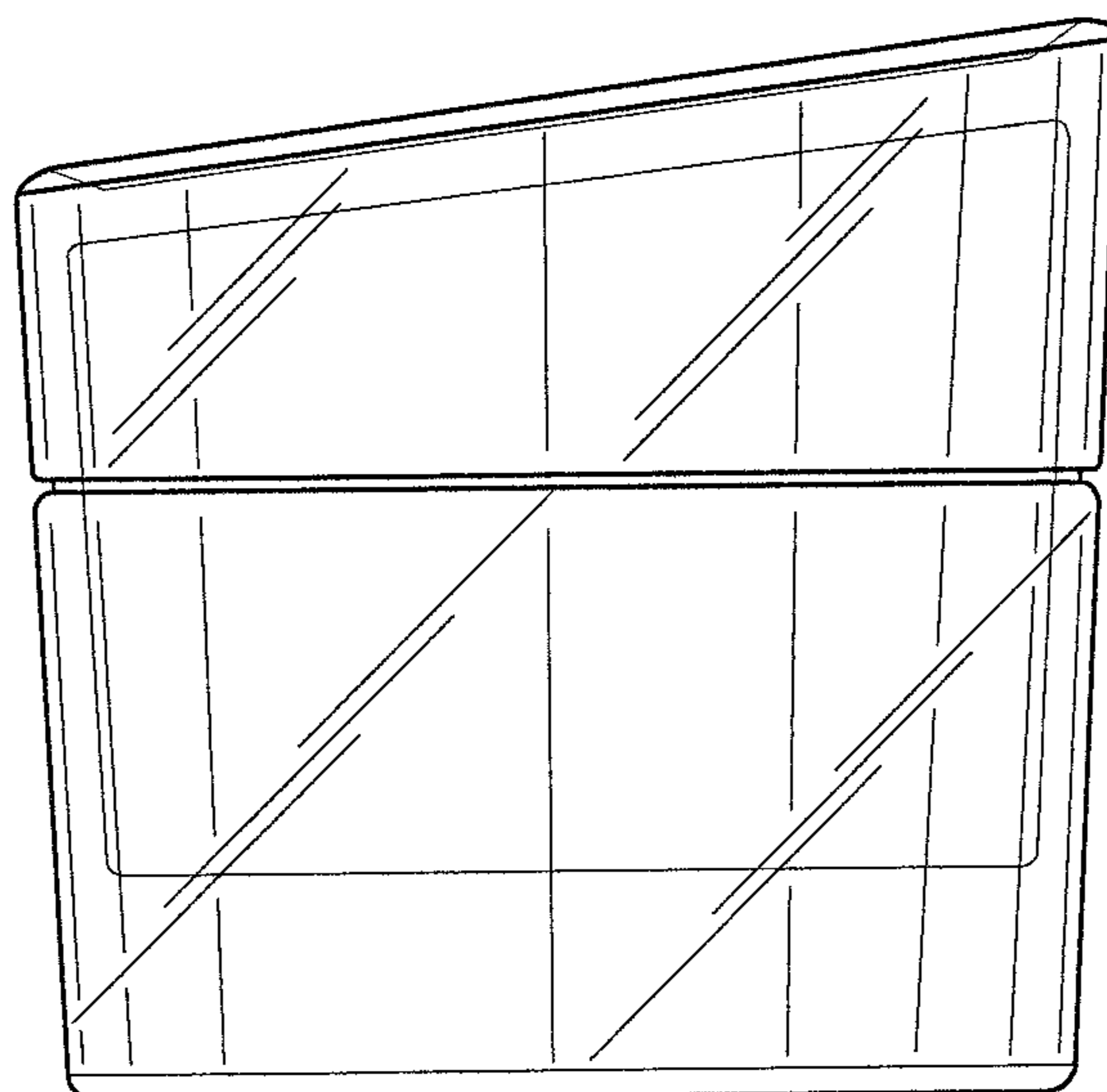


FIG. 4

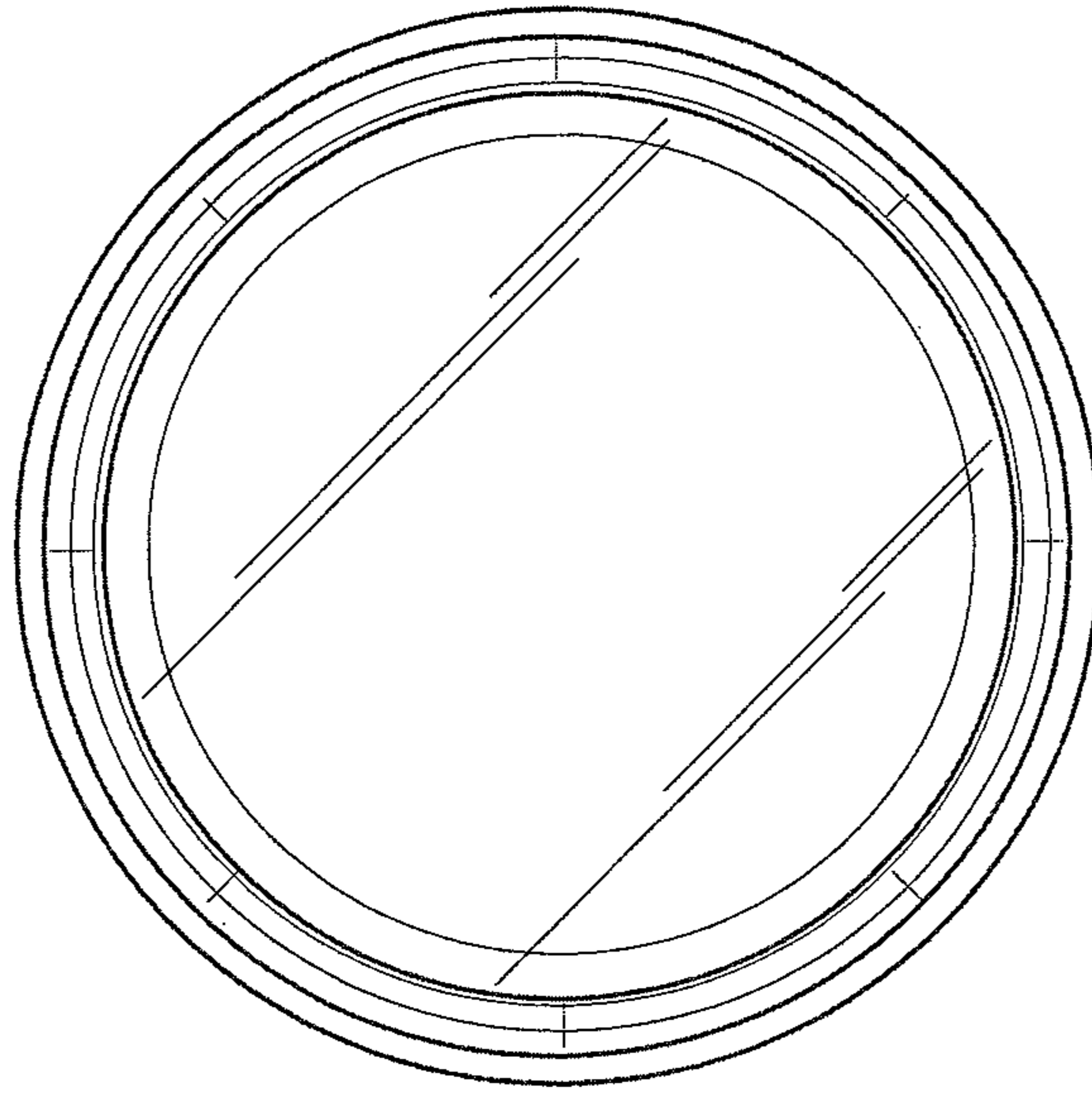


FIG. 5