

US00D731889S

(12) **United States Design Patent**  
**Kotyuk**

(10) **Patent No.:** **US D731,889 S**  
(45) **Date of Patent:** **\*\* Jun. 16, 2015**

(54) **BEVERAGE LID WITH INTEGRATED  
CONDIMENT WELL**

(71) Applicant: **Andrew F. Kotyuk**, San Jacinto, CA  
(US)

(72) Inventor: **Andrew F. Kotyuk**, San Jacinto, CA  
(US)

(\*\*) Term: **14 Years**

(21) Appl. No.: **29/491,779**

(22) Filed: **May 23, 2014**

**Related U.S. Application Data**

(62) Division of application No. 29/446,613, filed on Feb.  
26, 2013, now Pat. No. Des. 713,248.

(51) **LOC (10) Cl.** ..... **09-07**

(52) **U.S. Cl.**  
USPC ..... **D9/454; D9/436**

(58) **Field of Classification Search**  
USPC ..... D7/401; D9/434, 435, 436, 438, 445,  
D9/452, 453, 454; D24/224; 215/200, 235,  
215/236, 252, 254, 329, 355-364; 220/556  
CPC ..... B65D 1/26; B65D 2543/00027; B65D  
2543/00046; B65D 2543/00842; B65D  
2231/022; B65D 2543/00092; B65D 43/02;  
B65D 1/265; B65D 51/28; B32B 1/02;  
B32B 2439/70  
See application file for complete search history.

(56) **References Cited**

**U.S. PATENT DOCUMENTS**

|           |      |        |               |         |
|-----------|------|--------|---------------|---------|
| 4,848,579 | A    | 7/1989 | Barnes        |         |
| 5,722,558 | A    | 3/1998 | Thompson      |         |
| 6,209,748 | B1 * | 4/2001 | Dunbar        | 220/521 |
| 6,427,864 | B1   | 8/2002 | Asselin       |         |
| D473,791  | S    | 4/2003 | Loris         |         |
| 6,932,231 | B2 * | 8/2005 | Haynes et al. | 220/212 |

|              |      |         |                |         |
|--------------|------|---------|----------------|---------|
| D511,435     | S    | 11/2005 | Roth           |         |
| D535,561     | S    | 1/2007  | Smith          |         |
| D536,923     | S    | 2/2007  | Roth           |         |
| D556,037     | S    | 11/2007 | DAmato         |         |
| D559,105     | S    | 1/2008  | DAmato         |         |
| 7,318,536    | B2   | 1/2008  | Maravich       |         |
| D588,002     | S    | 3/2009  | DAmato         |         |
| D619,000     | S *  | 7/2010  | Scheve         | D9/436  |
| D634,192     | S    | 3/2011  | Mueller        |         |
| 7,942,260    | B1 * | 5/2011  | Rodriguez      | 206/217 |
| D642,915     | S *  | 8/2011  | Swingle et al. | D9/440  |
| D661,186     | S    | 6/2012  | Snyder         |         |
| 2004/0149755 | A1   | 8/2004  | Olivar         |         |
| 2005/0178766 | A1   | 8/2005  | Washington     |         |

**OTHER PUBLICATIONS**

Restriction Requirement for U.S. Appl. No. 29/446,613 mailed Feb.  
5, 2014.

(Continued)

*Primary Examiner* — Robert M Spear

*Assistant Examiner* — Marissa Cash

(74) *Attorney, Agent, or Firm* — Fitch, Even, Tabin &  
Flannery LLP

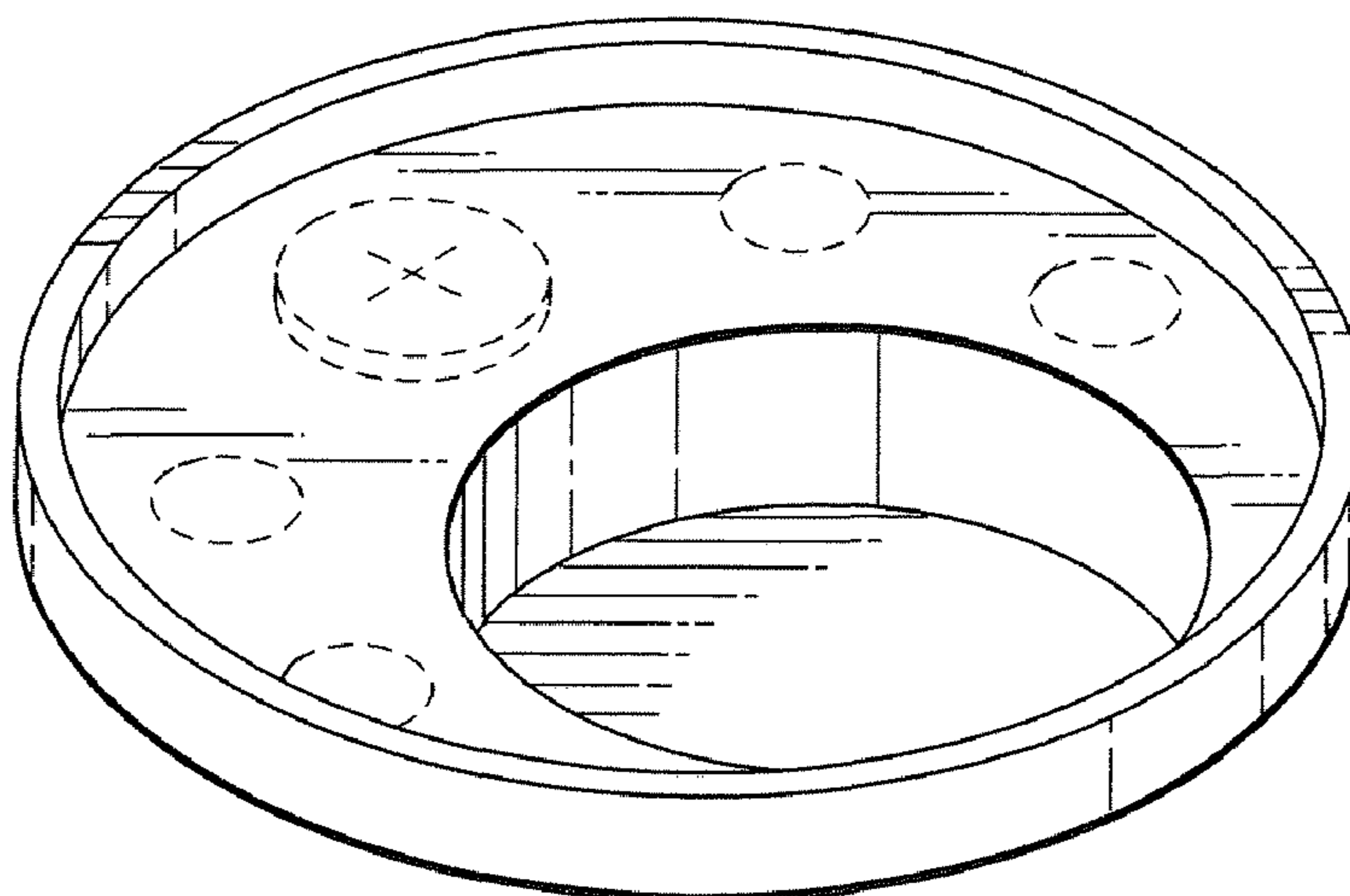
(57) **CLAIM**

I claim the ornamental design for a beverage lid with inte-  
grated condiment well, as shown and described.

**DESCRIPTION**

FIG. 1 is a perspective view of a beverage lid with integrated  
condiment well in accordance with my new design;  
FIG. 2 is a top plan view thereof;  
FIG. 3 is a front elevational view thereof, the back elevational  
view being identical thereto;  
FIG. 4 is a left side elevational view thereof, the right side  
elevational view being a mirror image thereof; and,  
FIG. 5 is a bottom plan view thereof.  
The broken lines depict unclaimed environmental subject  
matter and form no part of the claim.

**1 Claim, 2 Drawing Sheets**



(56)

**References Cited**

Kotyuk; U.S. Appl. No. 29/446,613, filed Feb. 26, 2013.

OTHER PUBLICATIONS

Kotyuk; U.S. Appl. No. 29/491,775, filed May 23, 2014.

Notice of Allowance for U.S. Appl. No. 29/446,613 mailed May 1, 2014.

\* cited by examiner

FIG. 1

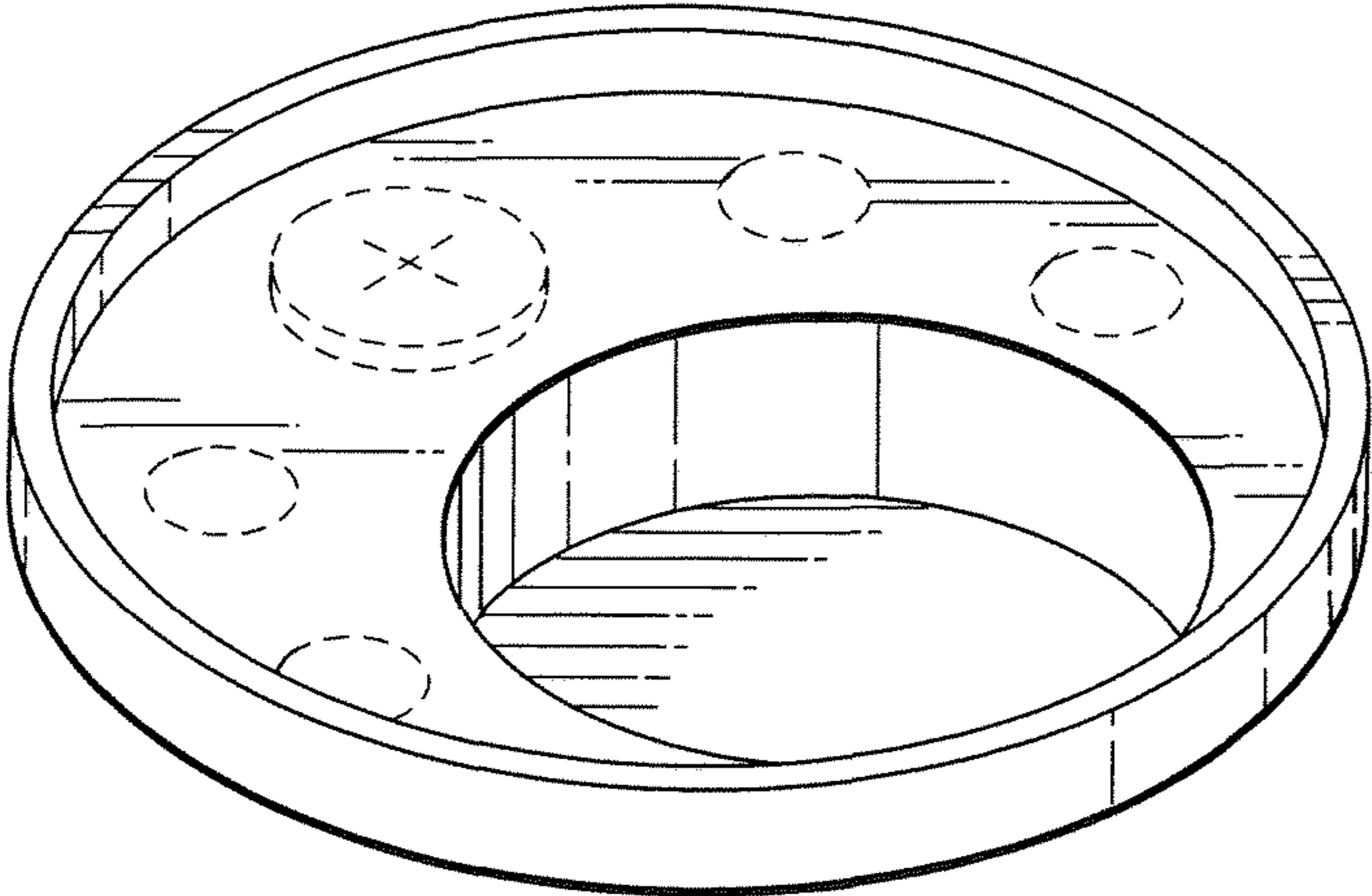


FIG. 2

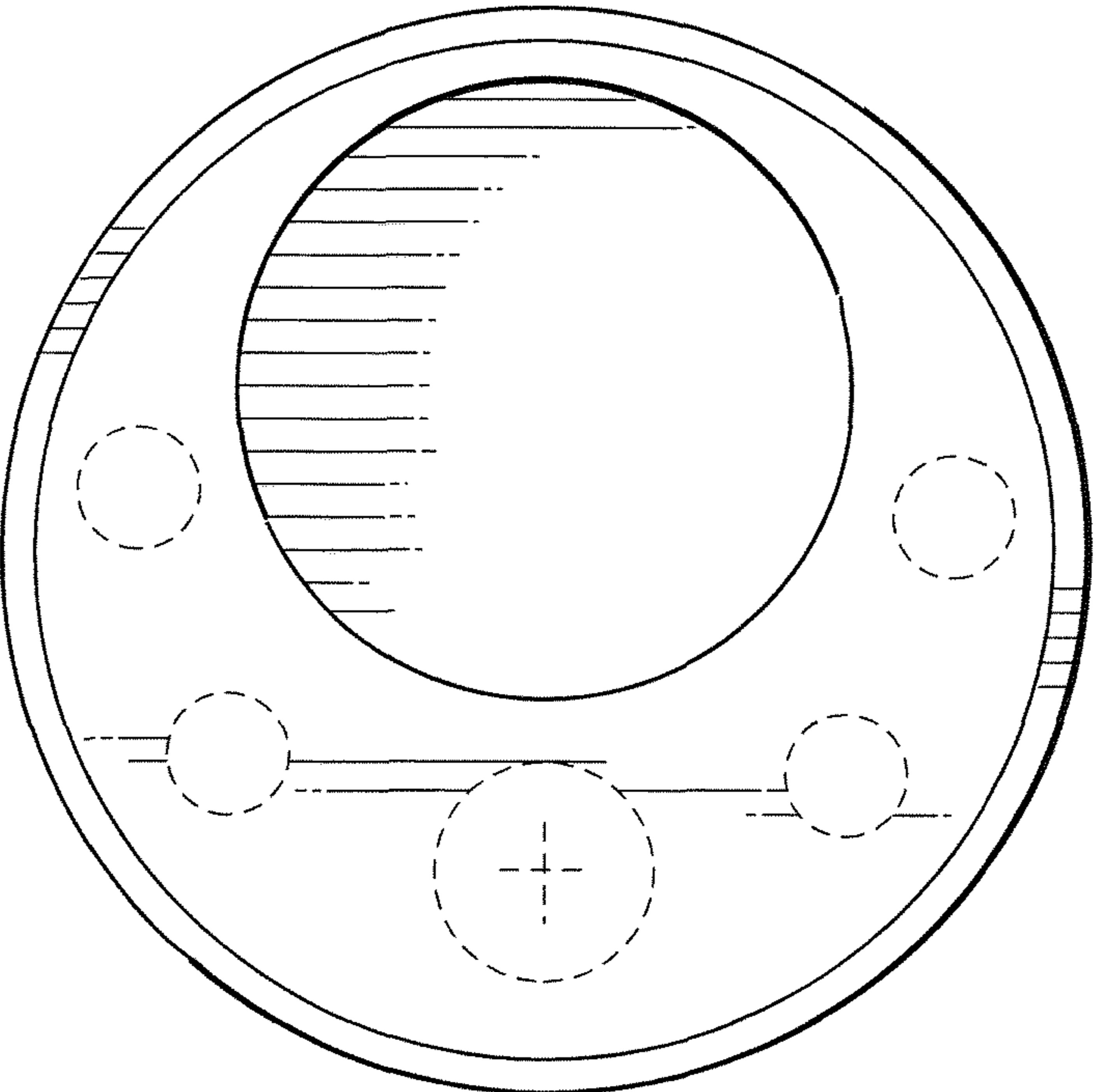


FIG. 3

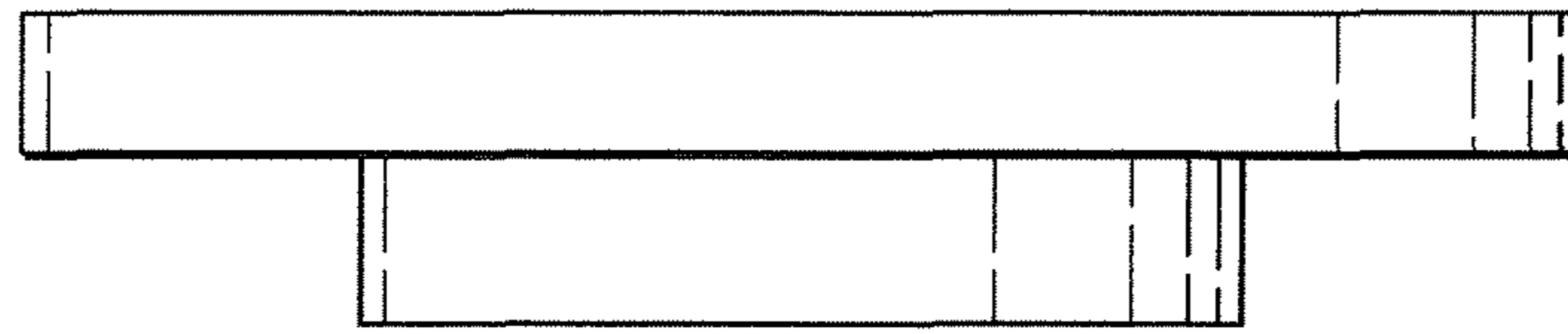


FIG. 4

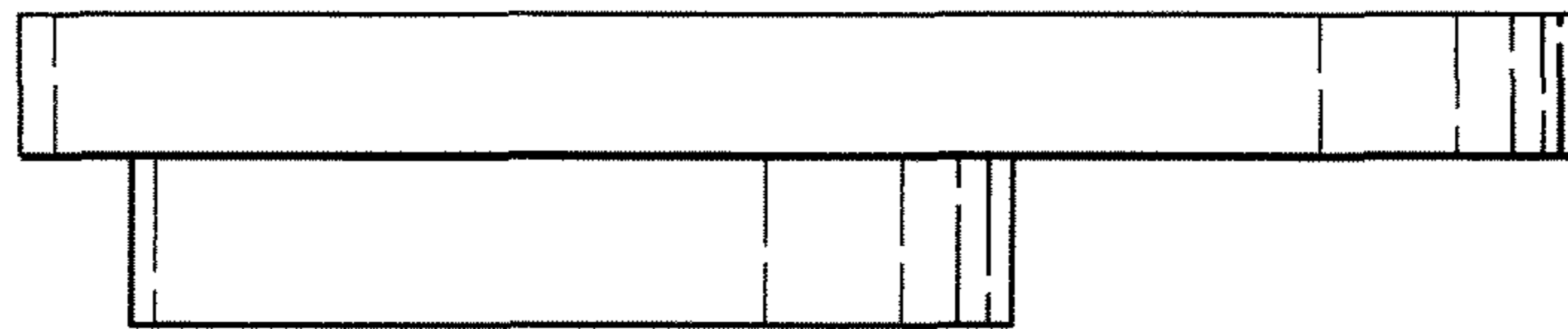


FIG. 5

