



US00D731886S

(12) **United States Design Patent**
Taylor

(10) **Patent No.:** **US D731,886 S**
(45) **Date of Patent:** **** Jun. 16, 2015**

- (54) **CONFECTION CONTAINER**
- (71) Applicant: **Sweet Concepts Limited**, London (GB)
- (72) Inventor: **Stephen Robert Taylor**, London (GB)
- (73) Assignee: **Sweet Concepts Limited** (GB)
- (**) Term: **14 Years**
- (21) Appl. No.: **29/462,211**
- (22) Filed: **Jul. 31, 2013**

- (30) **Foreign Application Priority Data**
Feb. 2, 2013 (EM) 002177501-0004
- (51) **LOC (10) Cl.** **09-03**
- (52) **U.S. Cl.**
USPC **D9/432; D9/423**
- (58) **Field of Classification Search**
USPC D9/414, 420, 421, 423, 424, 425, 426,
D9/428, 429, 431, 432, 433, 453, 600, 660,
D9/759, 761, 770; 229/123.3, 125.08, 406;
206/470, 575; D7/392.1
See application file for complete search history.

- (56) **References Cited**
U.S. PATENT DOCUMENTS
2,955,000 A * 10/1960 Vohden 229/125.08
D349,049 S * 7/1994 Gulliver D9/416
D394,383 S * 5/1998 Bradfield D9/416
D449,525 S * 10/2001 Sturgess D9/432
D526,194 S * 8/2006 Hamuro et al. D9/432
D528,794 S * 9/2006 Lanham et al. D3/294
D531,027 S * 10/2006 Ramirez et al. D9/435
D543,450 S * 5/2007 Watzig et al. D9/418
D551,969 S * 10/2007 Aurilio et al. D9/432

- D565,946 S * 4/2008 Cronin et al. D9/435
- D590,123 S * 4/2009 Hermans D34/38
- D623,940 S * 9/2010 Ianello D9/435
- D655,613 S * 3/2012 De Baschmakoff et al. .. D9/600
- D682,681 S * 5/2013 Oxer D9/432
- D683,217 S * 5/2013 Thompson et al. D9/434
- D690,586 S * 10/2013 Taylor D9/421
- D713,734 S * 9/2014 Pereira D9/660

OTHER PUBLICATIONS

NPL search [online] [date searched Dec. 1, 2014] Internet
URL<<http://www.sweetconcepts.com/mint-it-cube.php>.*

* cited by examiner

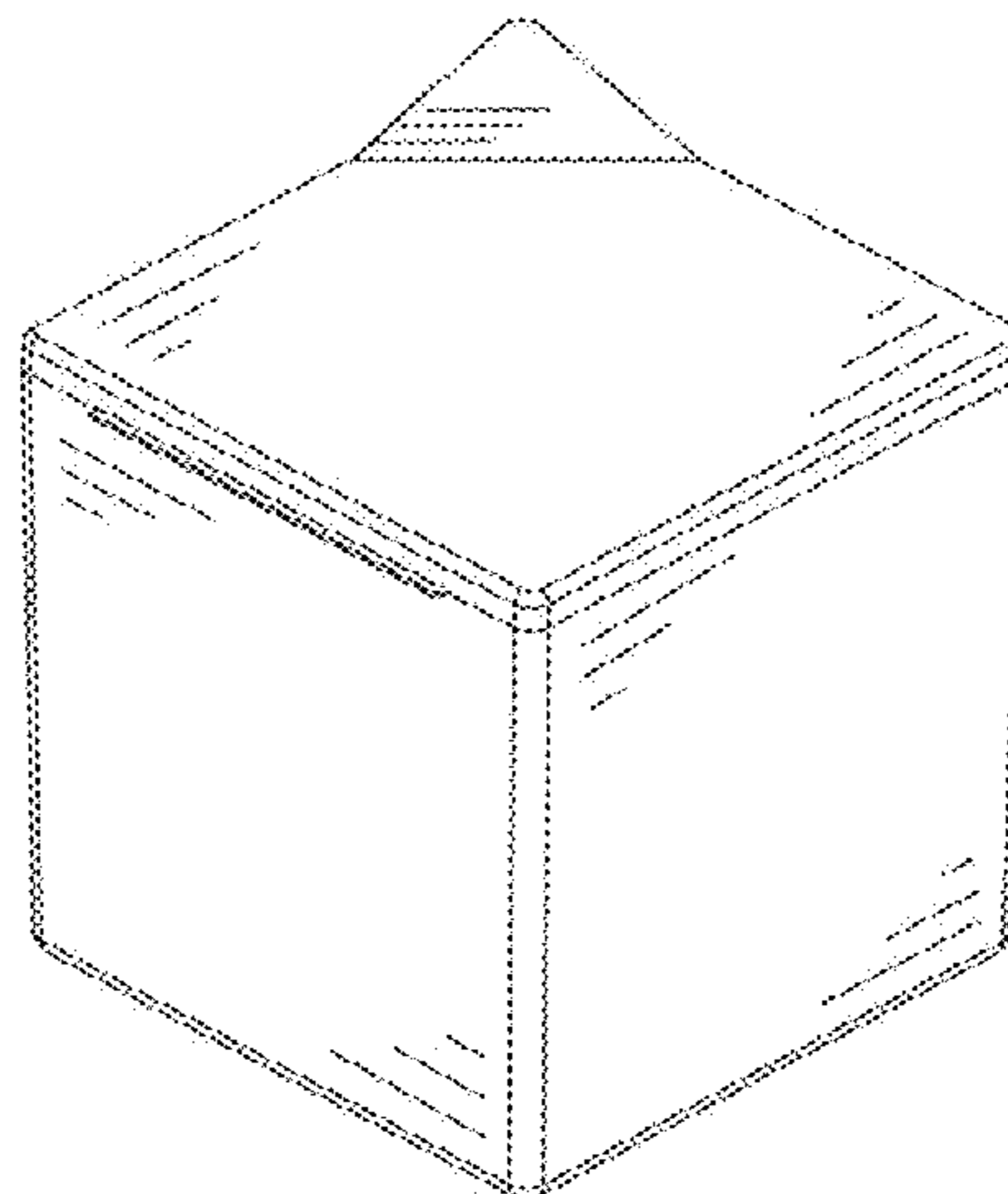
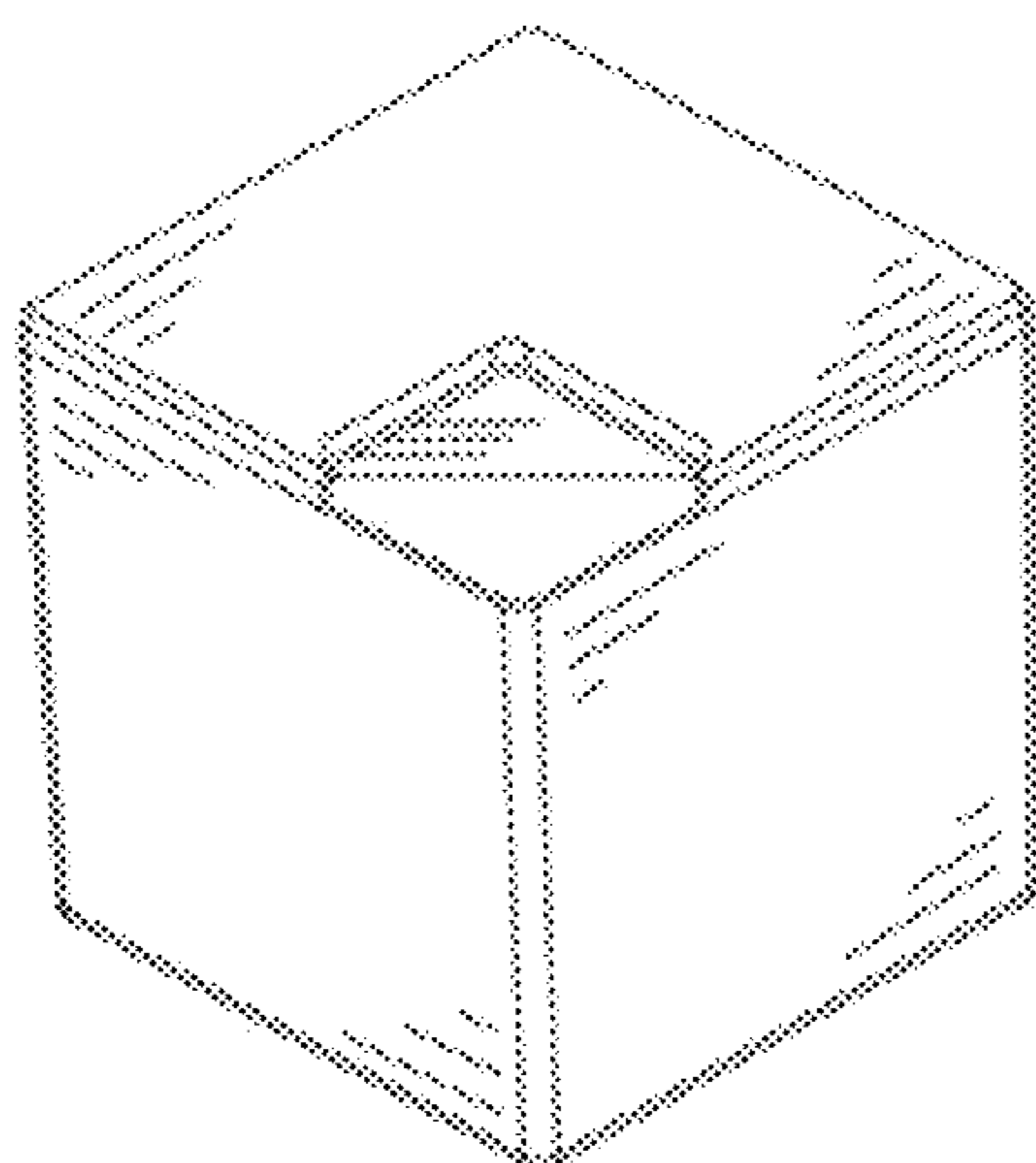
Primary Examiner — Thomas Johannes
Assistant Examiner — Keith Frank
(74) *Attorney, Agent, or Firm* — Mayback & Hoffman P.A.;
Gregory L. Mayback

(57) **CLAIM**
The ornamental design for a confection container, as shown
and described.

DESCRIPTION

FIG. 1 is a perspective view of a confection container accord-
ing to the present invention with a lid in a closed position;
FIG. 2 is a perspective view of the confection container of
FIG. 1 with the lid in an open position;
FIG. 3 is a perspective view of the confection container of
FIG. 2 rotated approximately 90 degrees counterclockwise;
FIG. 4 is a perspective view of the confection container of
FIG. 2 rotated approximately 180 degrees;
FIG. 5 is a perspective view of the confection container of
FIG. 1 rotated approximately 90 degrees clockwise; and,
FIG. 6 is a perspective view of a bottom surface of the con-
fection container of FIG. 1.

1 Claim, 2 Drawing Sheets



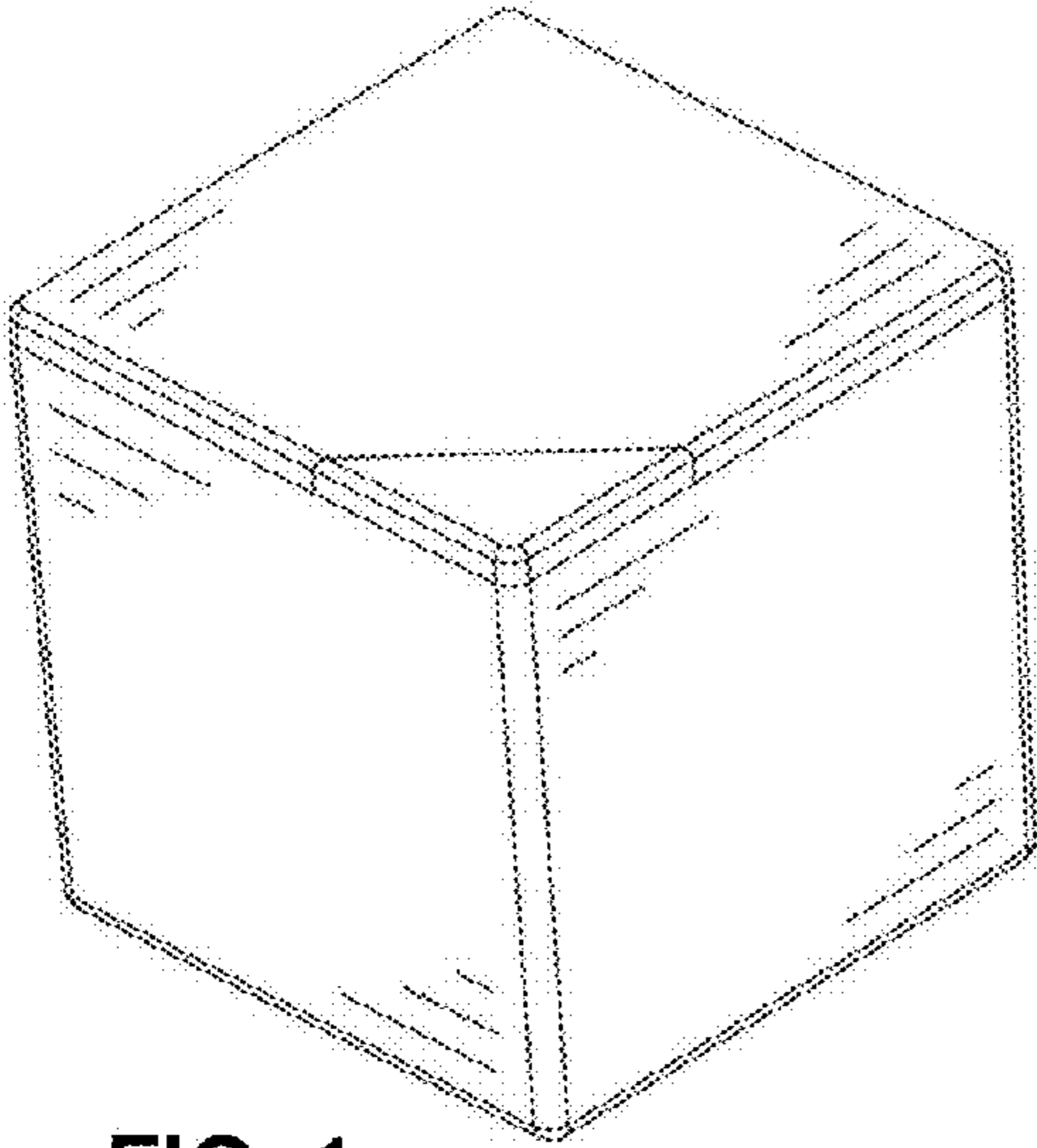


FIG. 1

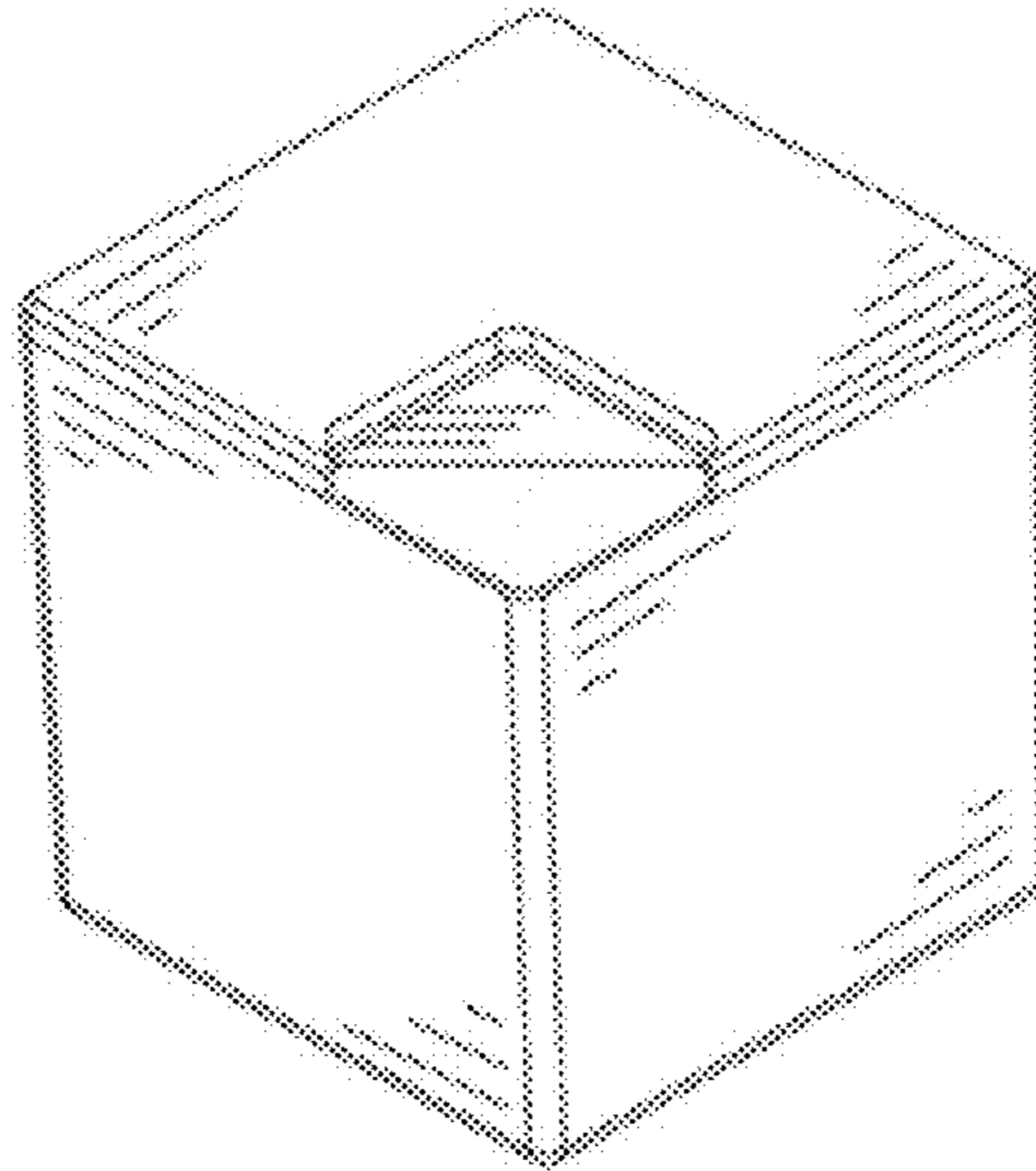


FIG. 2

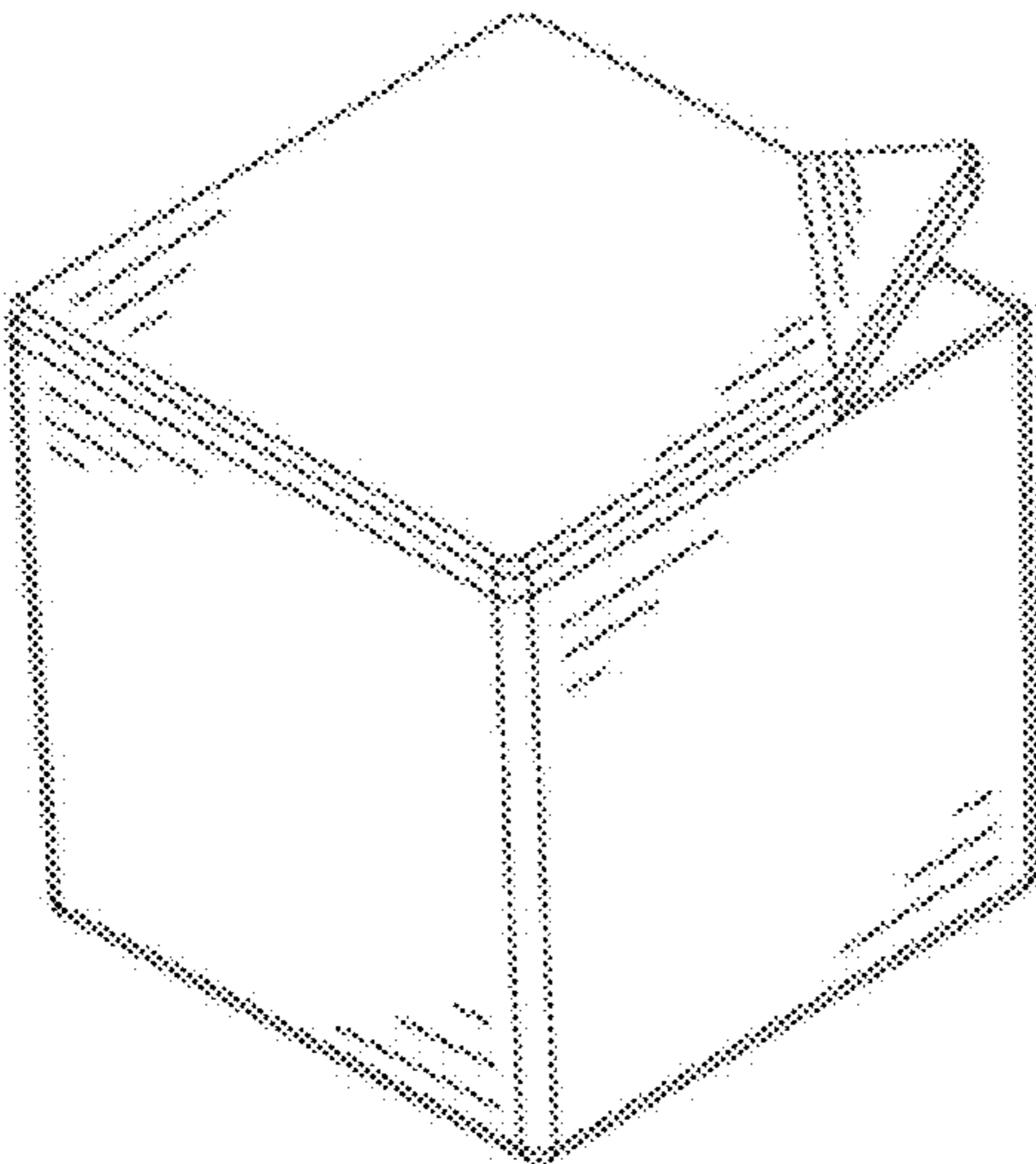


FIG. 3

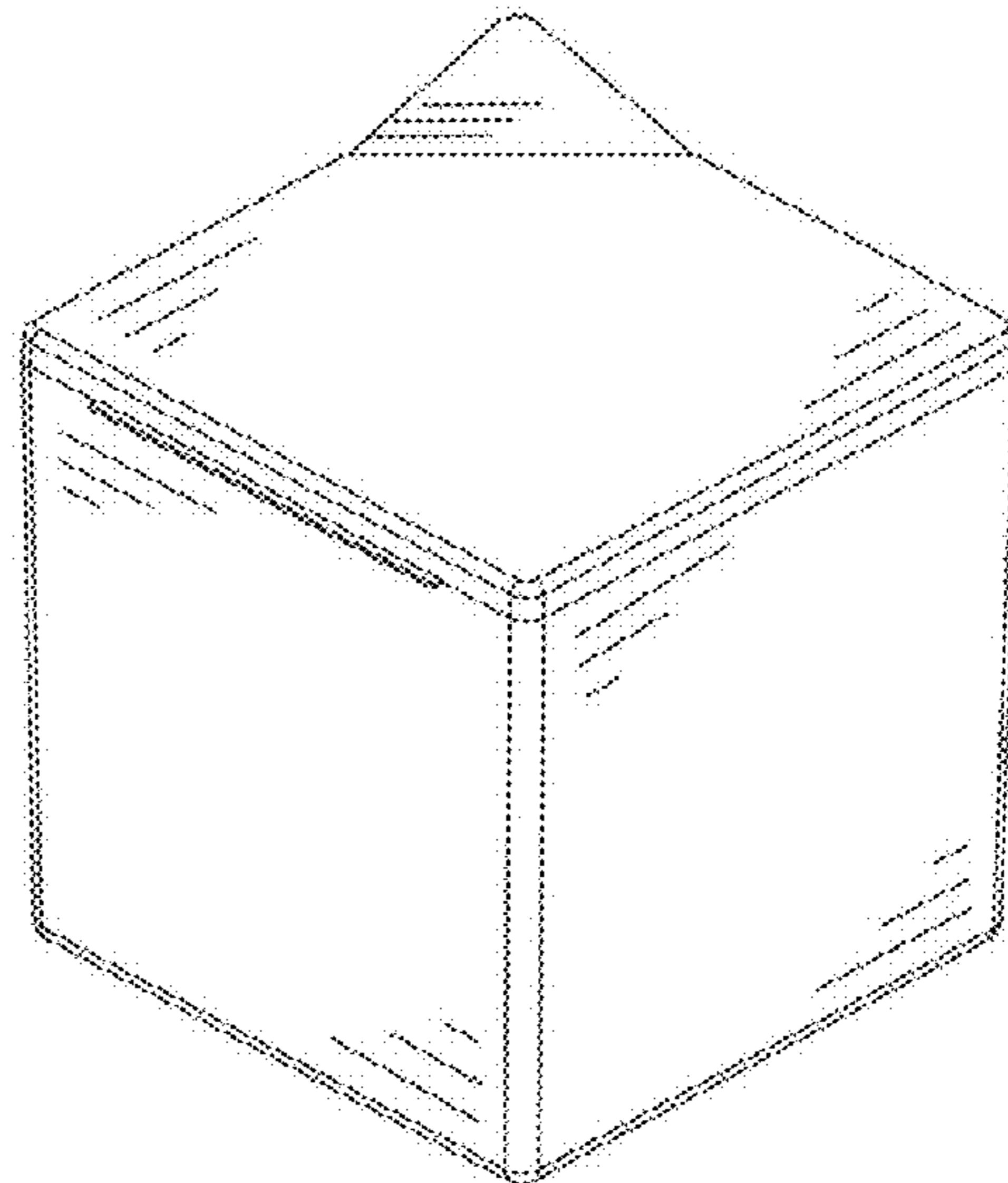


FIG. 4

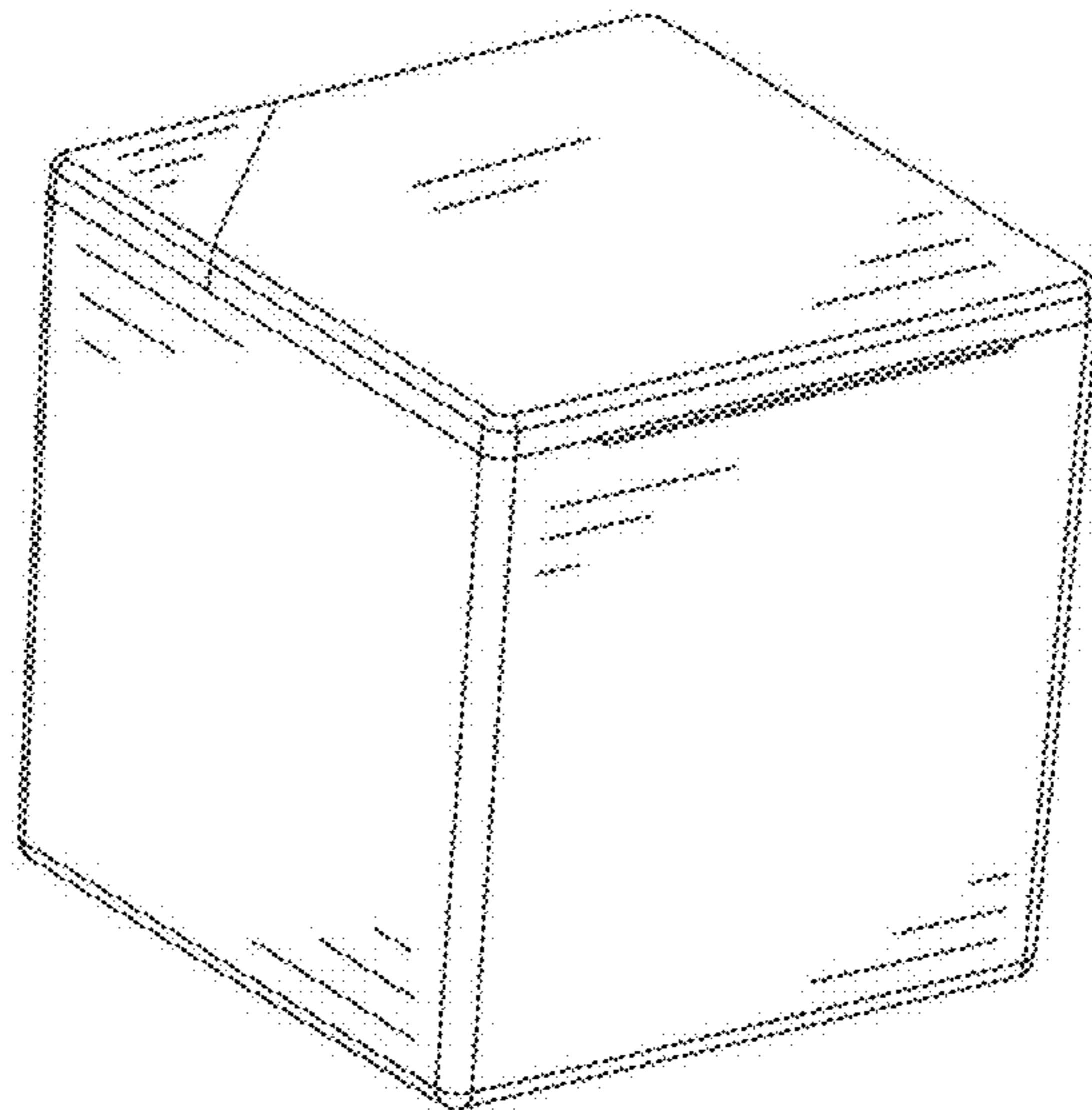


FIG. 5

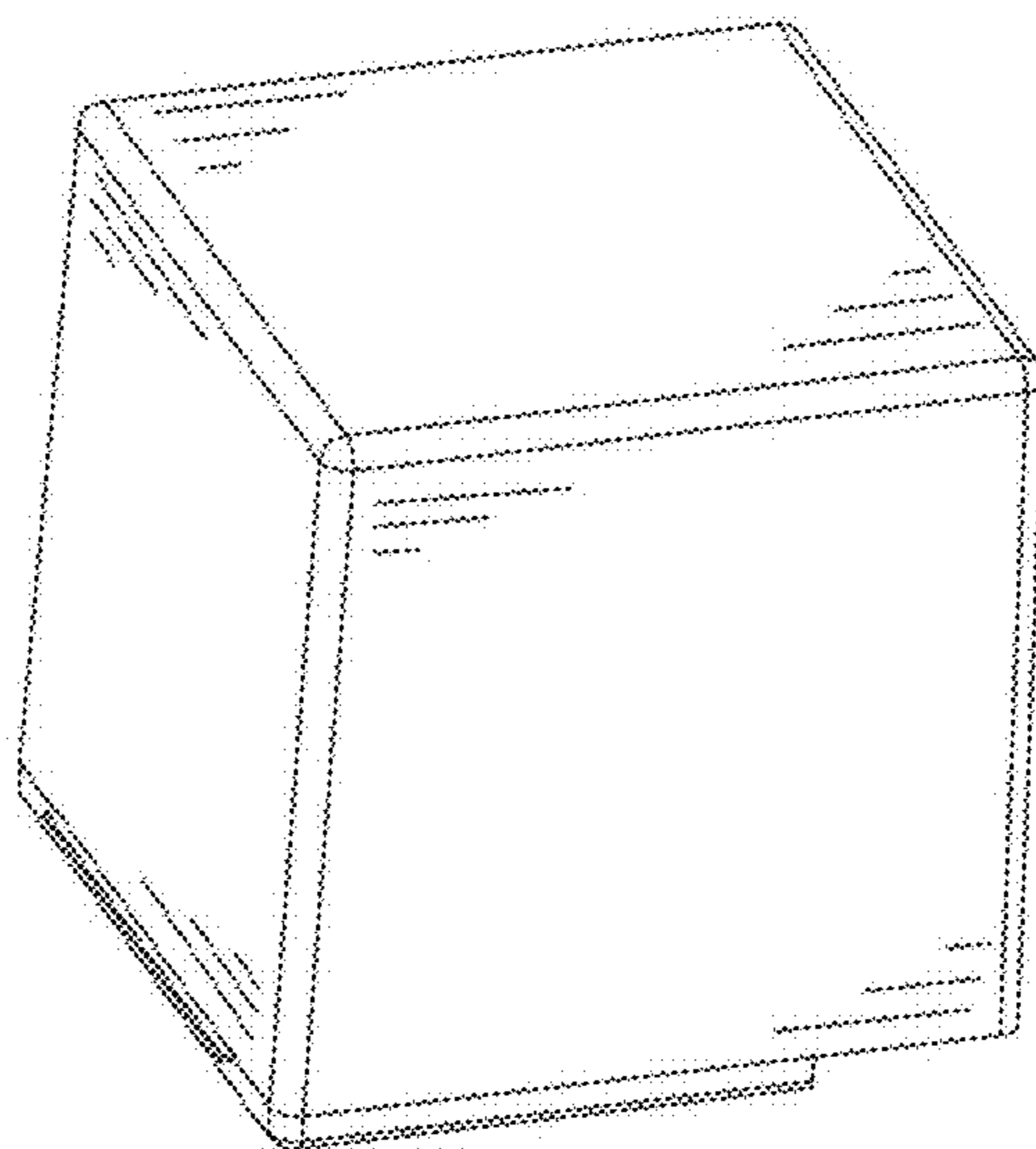


FIG. 6