



US00D731885S

(12) **United States Design Patent**  
**Taylor**

(10) **Patent No.:** **US D731,885 S**  
(45) **Date of Patent:** **\*\* Jun. 16, 2015**

(54) **CONFECTION CONTAINER**  
(71) Applicant: **Sweet Concepts Limited**, London (GB)  
(72) Inventor: **Stephen Robert Taylor**, London (GB)  
(73) Assignee: **Sweet Concepts Limited** (GB)  
(\*\*) Term: **14 Years**  
(21) Appl. No.: **29/462,210**  
(22) Filed: **Jul. 31, 2013**

(30) **Foreign Application Priority Data**  
Feb. 2, 2013 (EP) ..... 002177501-0003  
(51) **LOC (10) Cl.** ..... **09-03**  
(52) **U.S. Cl.**  
USPC ..... **D9/432; D9/422**  
(58) **Field of Classification Search**  
USPC ..... D9/414, 433, 444-445, 456, 711, 715,  
D9/718, 721, 748; D7/601, 602, 538, 540,  
D7/550.1; D3/203.5, 202, 207, 210;  
D4/116  
CPC ..... B65D 5/00; B65D 5/0015; B65D 5/0045;  
B65D 5/13; B65D 5/40; B65D 5/2033;  
B65D 1/22; B65D 1/225; B65D 1/24; B65D  
1/34; B65D 1/38  
See application file for complete search history.

(56) **References Cited**  
**U.S. PATENT DOCUMENTS**  
2,293,187 A \* 8/1942 Becker ..... 206/389  
D437,779 S \* 2/2001 Randall et al. .... D9/418

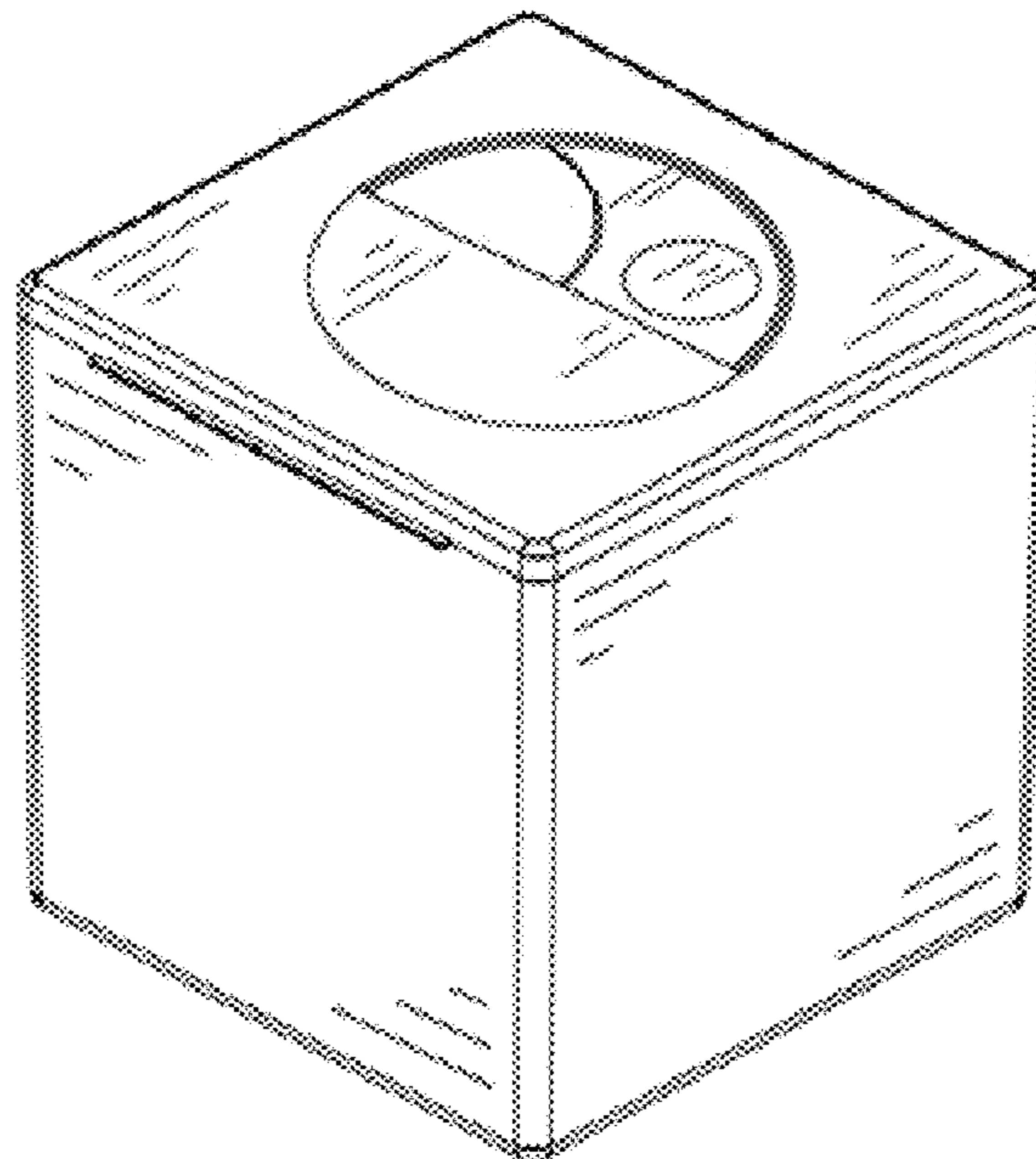
D446,717 S \* 8/2001 Lancaster et al. .... D9/418  
D463,979 S \* 10/2002 Rustioni ..... D9/422  
D505,546 S \* 5/2005 Lau ..... D3/273  
D578,884 S \* 10/2008 Rozanski ..... D9/432  
D611,770 S \* 3/2010 Cummins ..... D7/591  
D682,681 S \* 5/2013 Oxer ..... D9/432  
D690,586 S \* 10/2013 Taylor ..... D9/421

\* cited by examiner  
*Primary Examiner* — Susan Bennett Hattan  
*Assistant Examiner* — Vy Koenig

(57) **CLAIM**  
The ornamental design for a confection container, as shown and described.

**DESCRIPTION**  
FIG. 1 is a front and right perspective view of a confection container according to the present invention with a lid in a closed position;  
FIG. 2 is a front and right perspective view of the confection container of FIG. 1 with the lid rotated approximately 90 degrees in an open position;  
FIG. 3 is a rear and left perspective view of the confection container of FIG. 1;  
FIG. 4 is a rear and left perspective view of the confection container of FIG. 1 with the lid rotated approximately 90 degrees in an open position;  
FIG. 5 is a rear and right perspective view of the confection container of FIG. 1; and,  
FIG. 6 is a bottom perspective view of the confection container of FIG. 1.

**1 Claim, 2 Drawing Sheets**



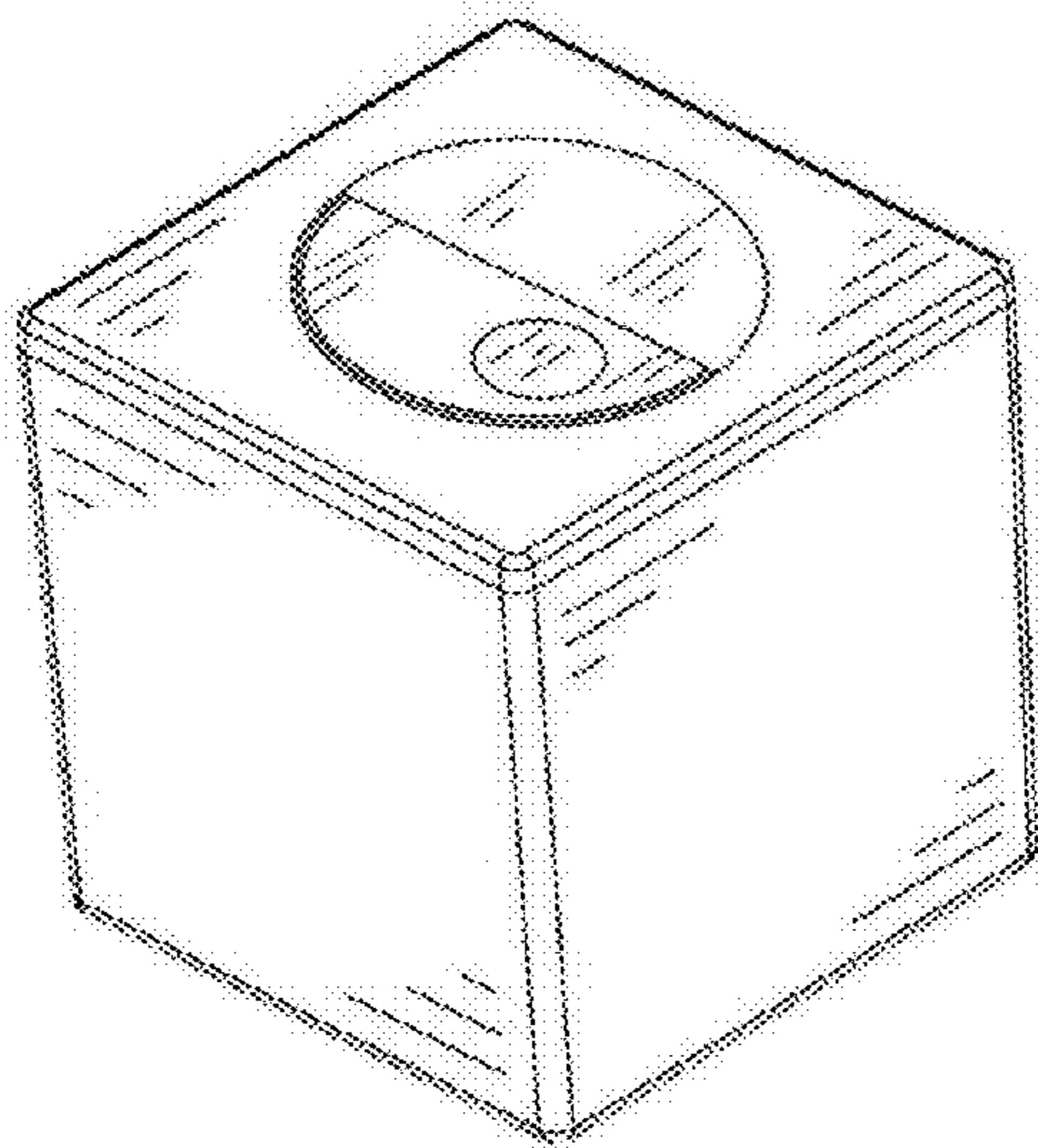


FIG. 1

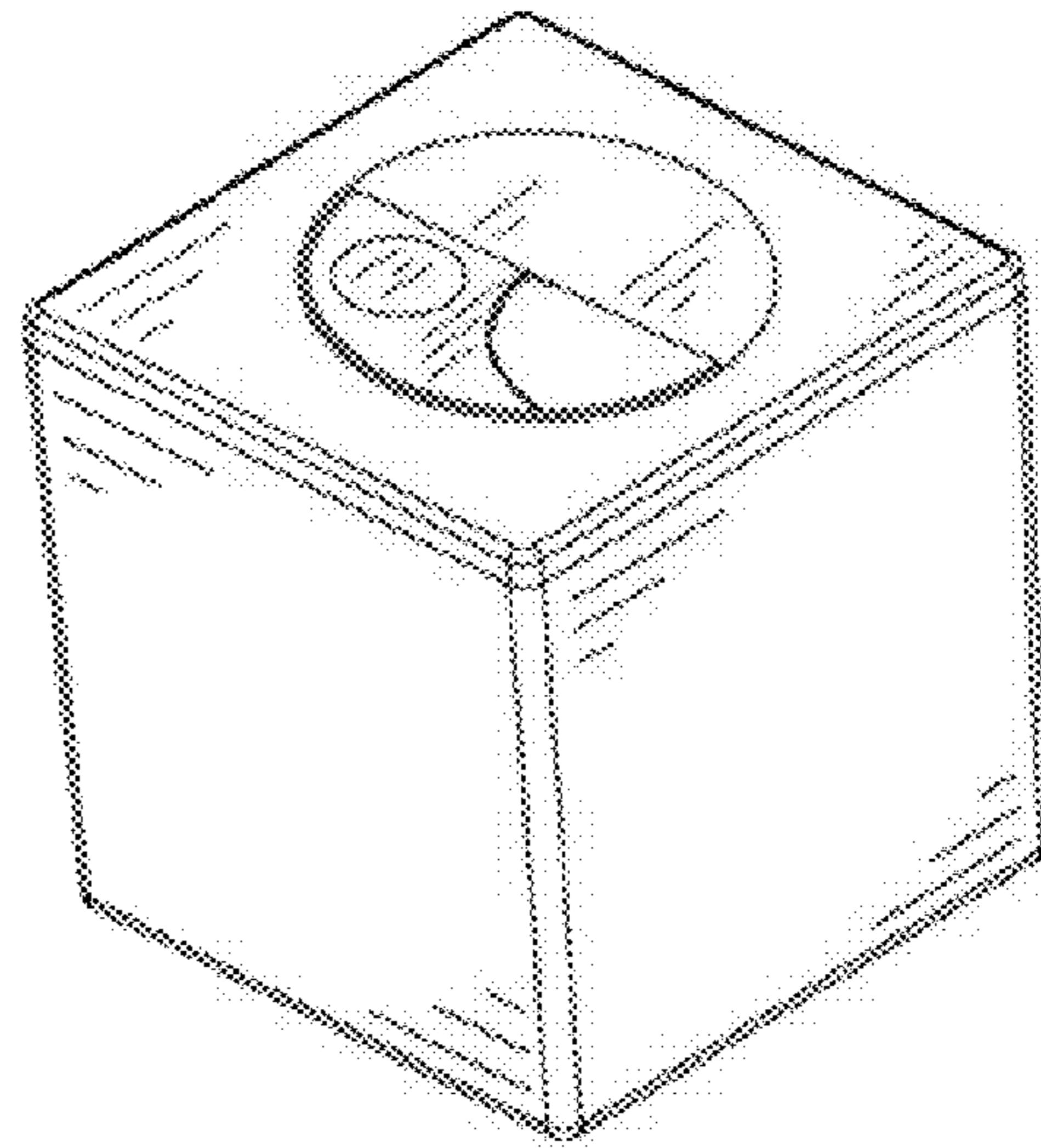


FIG. 2

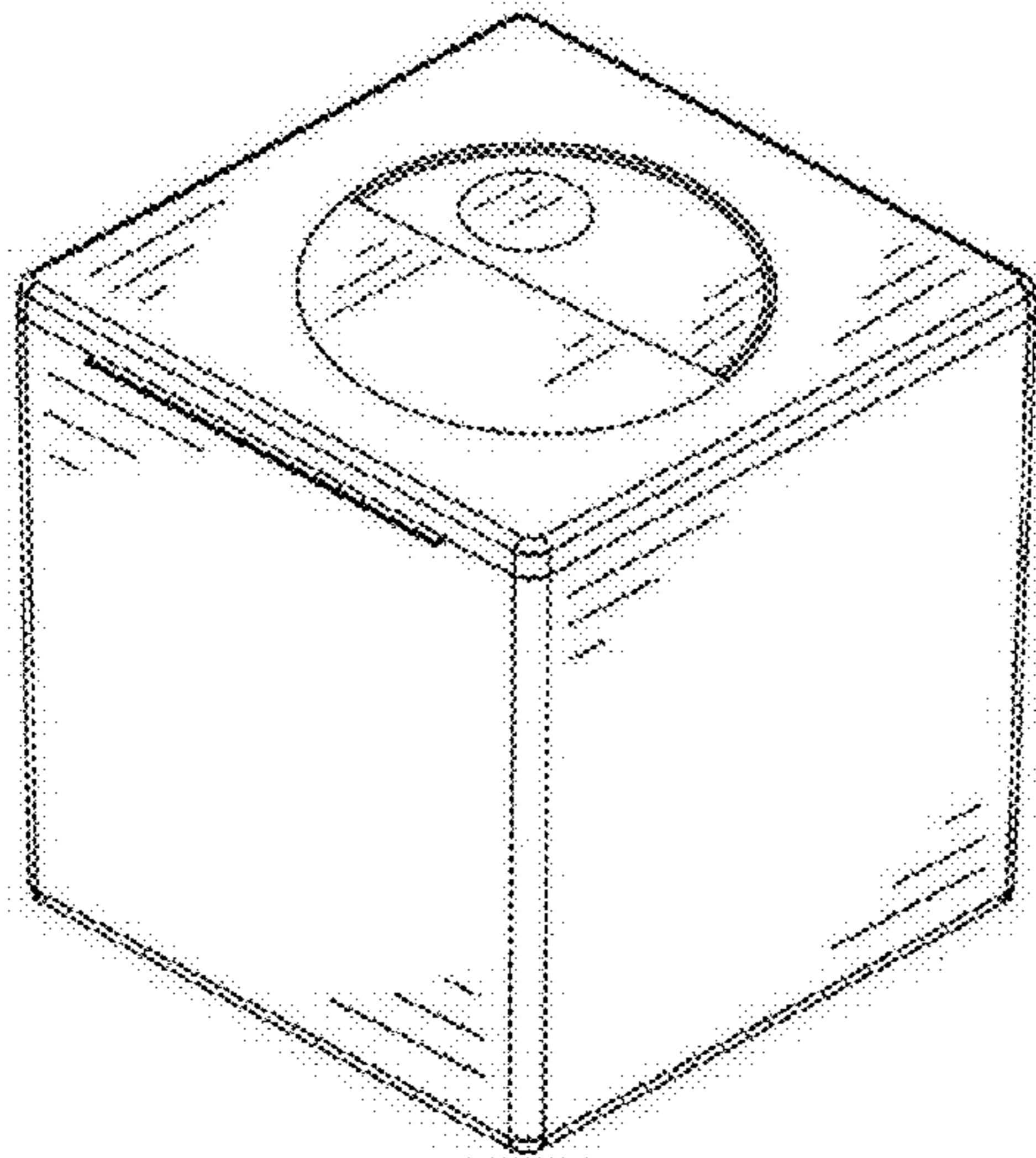


FIG. 3

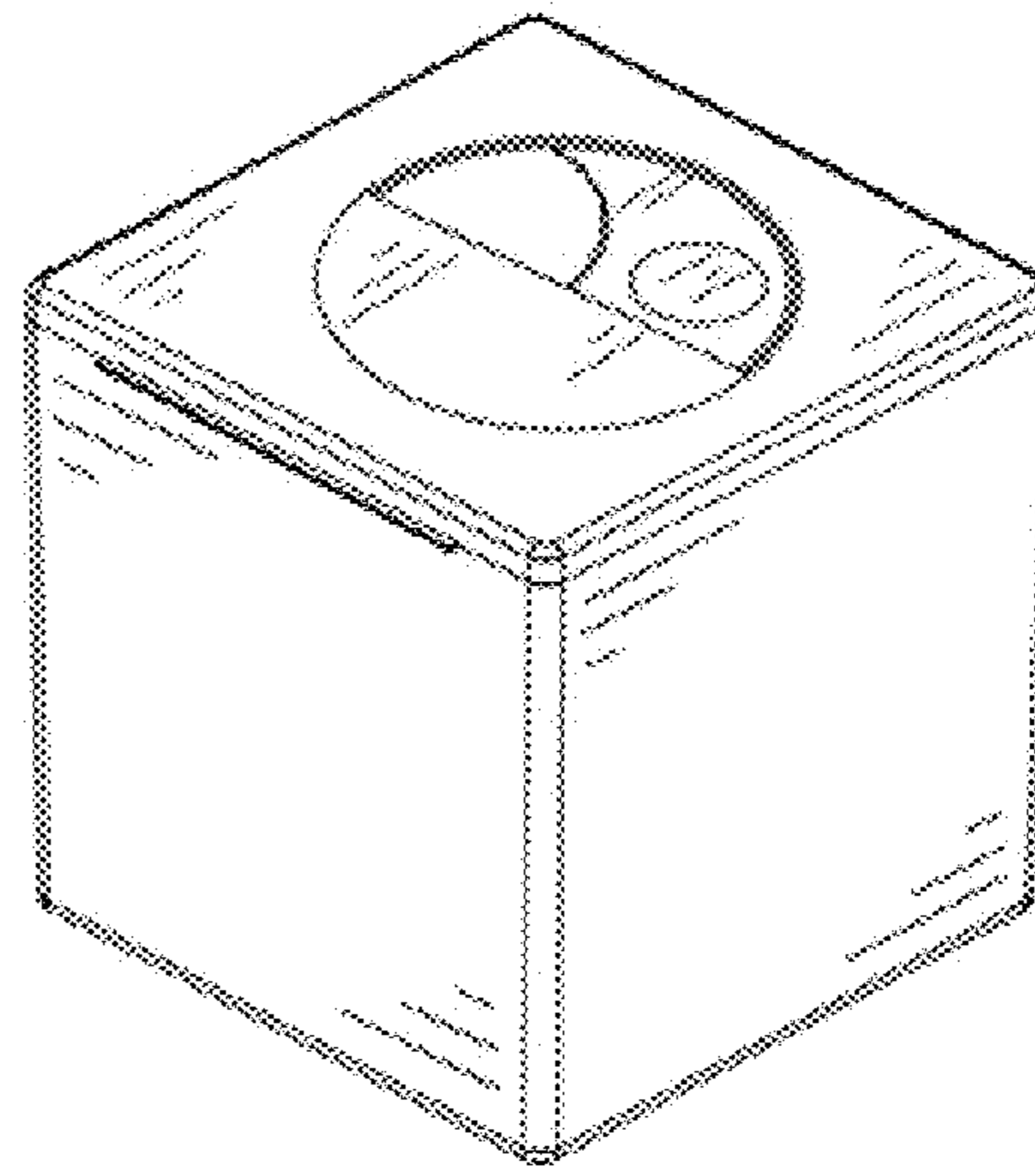


FIG. 4

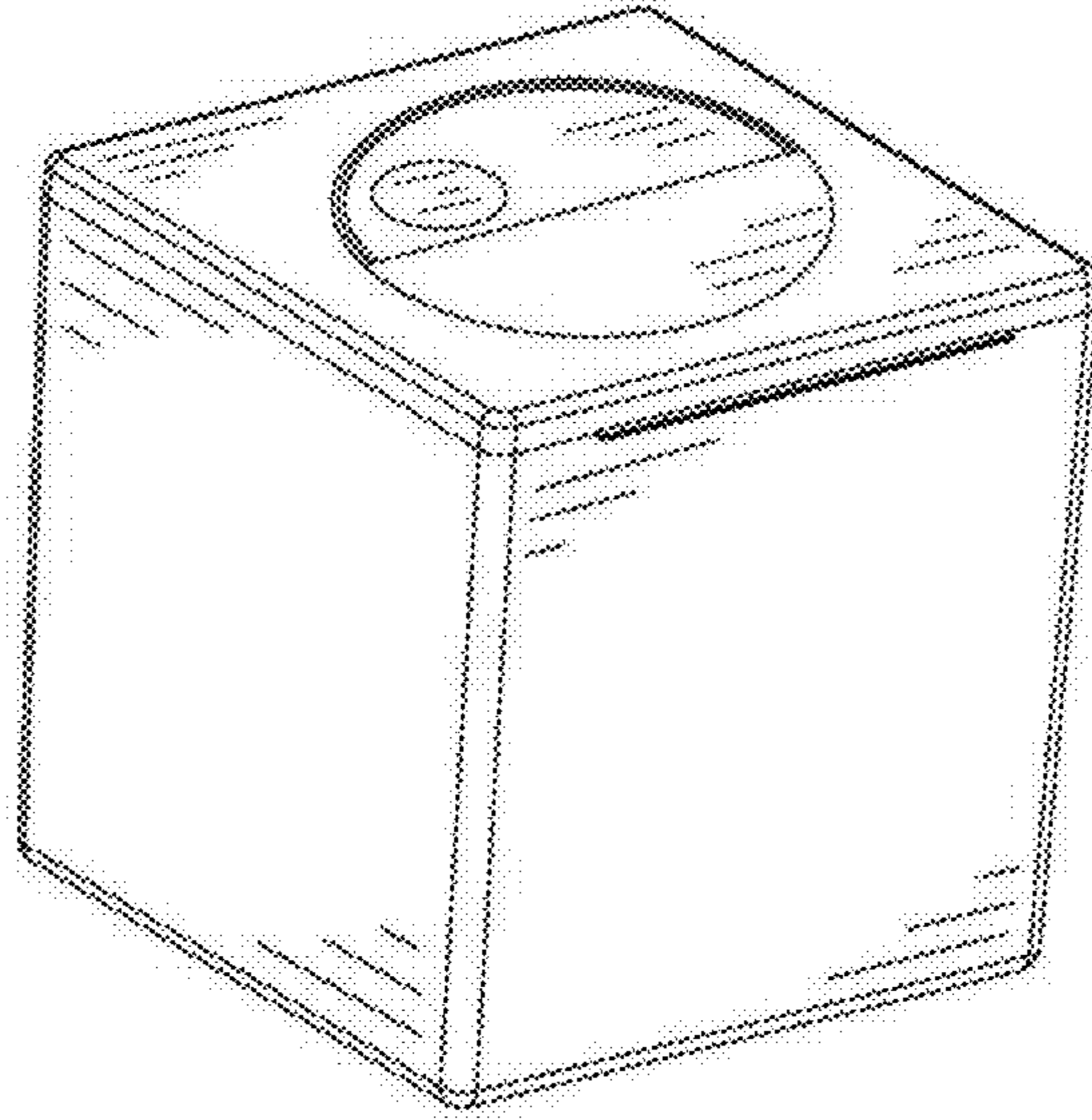


FIG. 5

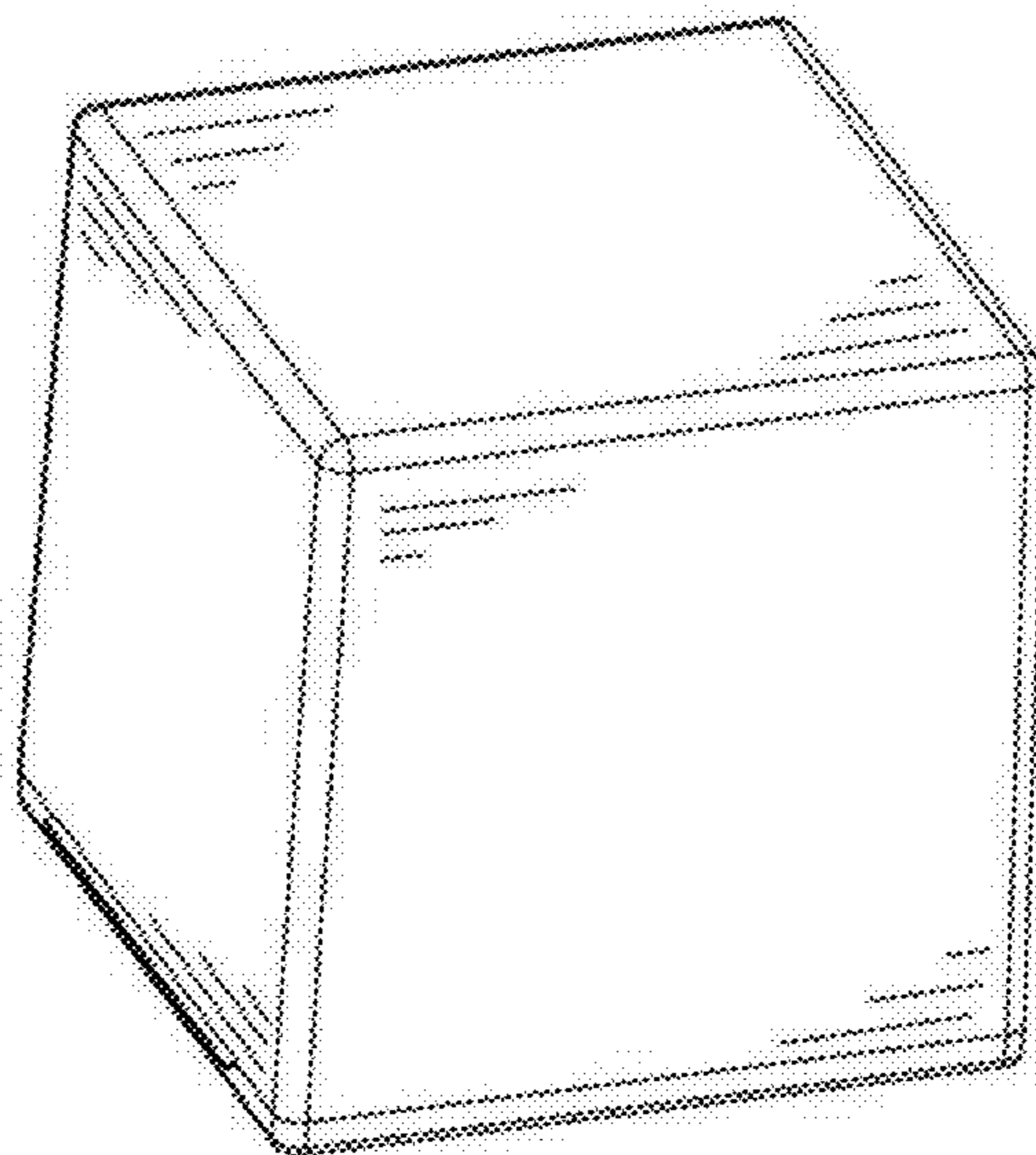


FIG. 6