



US00D731883S

(12) **United States Design Patent**
Davidson et al.

(10) **Patent No.:** **US D731,883 S**
(45) **Date of Patent:** **** Jun. 16, 2015**

(54) **PACKAGING**

(75) Inventors: **Hugo Davidson**, Victoria (AU); **Chris Bilanenko**, Richmond (AU); **Lucy Glade Wright**, Richmond (AU); **Tim Besley**, Richmond (AU)

(73) Assignee: **Knog Pty. Ltd.** (AU)

(**) Term: **14 Years**

(21) Appl. No.: **29/414,526**

(22) Filed: **Feb. 29, 2012**

(30) **Foreign Application Priority Data**

Aug. 31, 2011 (AU) 13860/2011
Aug. 31, 2011 (AU) 13861/2011
Aug. 31, 2011 (AU) 13862/2011

(51) **LOC (10) Cl.** **09-03**

(52) **U.S. Cl.**
USPC **D9/415**

(58) **Field of Classification Search**
USPC D9/415, 414, 416, 418, 419, 428, 442, D9/447, 430, 432-433, 456, 424, 503, 501, D9/695, 696, 697, 699, 690, 686, 688, 689, D9/711, 715, 721, 710, 718, 736, 740, 743, D9/744, 749, 757, 767, 772, 781, 753, 742, D9/739, 72; 206/395, 397-398, 223, 736, 206/756, 495, 349, 760, 541, 784; 229/395, 229/938, 902, 409, 125.05, 116.1

See application file for complete search history.

(56) **References Cited**

U.S. PATENT DOCUMENTS

D209,867 S * 1/1968 Sigoloff D9/418
D305,000 S * 12/1989 Hernandez D9/415
D428,331 S * 7/2000 MacTavish D9/415
6,612,482 B2 * 9/2003 Ross 229/103.2
D552,465 S * 10/2007 Ringo D9/415
D577,295 S * 9/2008 Miller et al. D9/711
D606,392 S * 12/2009 Prevost D9/415

D639,186 S * 6/2011 Shapiro et al. D9/721
D641,256 S * 7/2011 Fisher D9/721
8,459,460 B1 * 6/2013 Hansen et al. 206/769

* cited by examiner

Primary Examiner — Holly Baynham

Assistant Examiner — Rhea Shields

(74) *Attorney, Agent, or Firm* — Saidman DesignLaw Group, LLC

(57) **CLAIM**

The ornamental design for packaging, as shown and described.

DESCRIPTION

FIG. 1 is a front perspective view of a first embodiment of packaging showing our new design;
FIG. 2 is a front view thereof;
FIG. 3 is a rear view thereof;
FIG. 4 is a top view thereof;
FIG. 5 is a bottom view thereof;
FIG. 6 is a right side view thereof;
FIG. 7 is a left side view thereof;
FIG. 8 is a rear perspective view thereof;
FIG. 9 is a front perspective view of a second embodiment thereof;
FIG. 10 is a front view thereof;
FIG. 11 is a rear view thereof;
FIG. 12 is a top view thereof;
FIG. 13 is a bottom view thereof;
FIG. 14 is a right side view thereof;
FIG. 15 is a left side view thereof;
FIG. 16 is a rear perspective view thereof;
FIG. 17 is a front perspective view of a third embodiment thereof;
FIG. 18 is a front view thereof;
FIG. 19 is a rear view thereof;
FIG. 20 is a top view thereof;
FIG. 21 is a bottom view thereof;
FIG. 22 is a right side view thereof;
FIG. 23 is a left side view thereof;
FIG. 24 is a rear perspective view thereof;

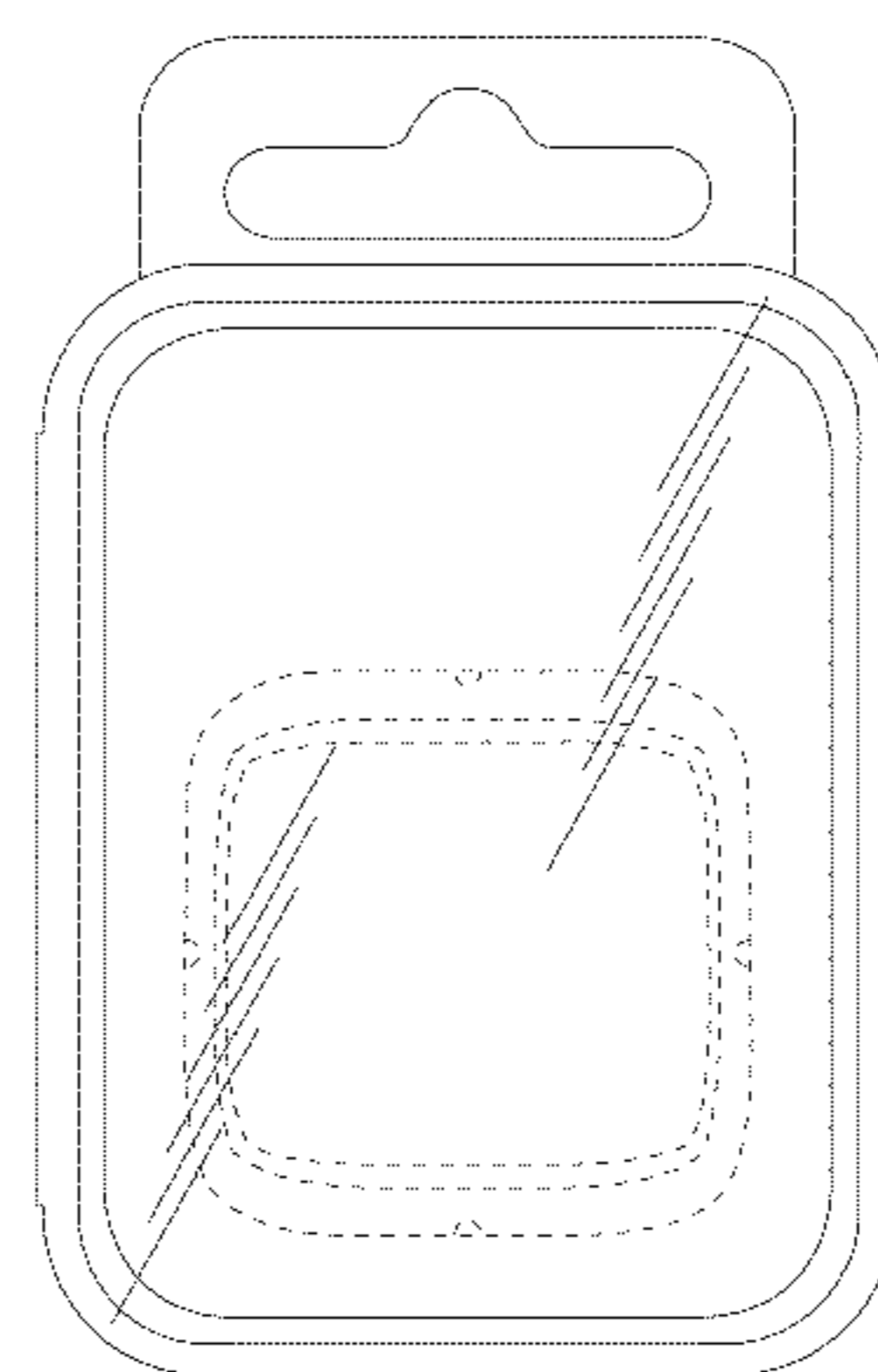
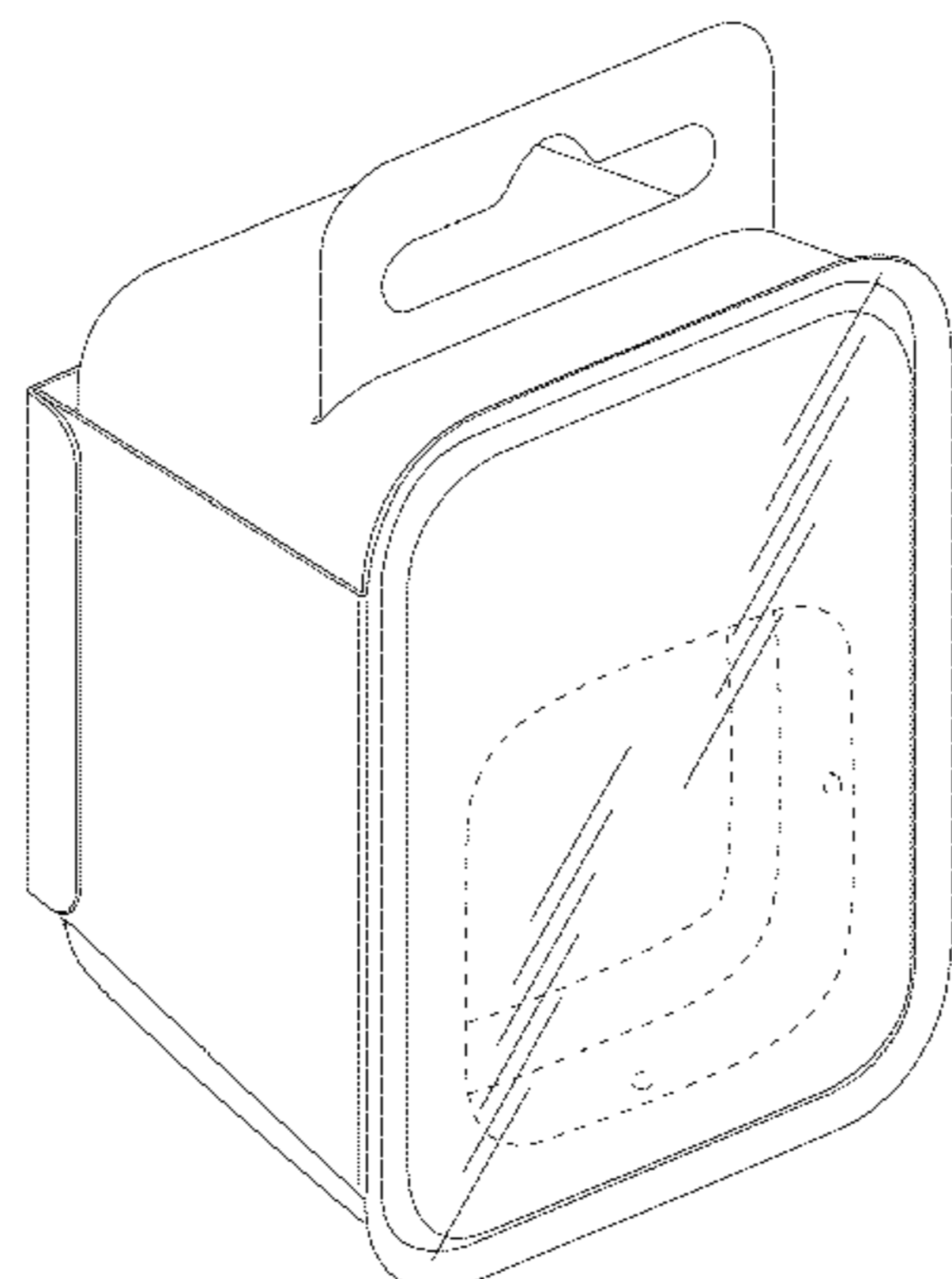


FIG. 25 is a front perspective view of a fourth embodiment thereof;
FIG. 26 is a front view thereof;
FIG. 27 is a rear view thereof;
FIG. 28 is a top view thereof;
FIG. 29 is a bottom view thereof;
FIG. 30 is a right side view thereof;
FIG. 31 is a left side view thereof;
FIG. 32 is a rear perspective view thereof;
FIG. 33 is a front perspective view of a fifth embodiment thereof;
FIG. 34 is a front view thereof;
FIG. 35 is a rear view thereof;
FIG. 36 is a top view thereof;
FIG. 37 is a bottom view thereof;
FIG. 38 is a right side view thereof;
FIG. 39 is a left side view thereof;
FIG. 40 is a rear perspective view thereof;
FIG. 41 is a front perspective view of a sixth embodiment thereof;
FIG. 42 is a front view thereof;
FIG. 43 is a rear view thereof;
FIG. 44 is a top view thereof;
FIG. 45 is a bottom view thereof;

FIG. 46 is a right side view thereof;
FIG. 47 is a left side view thereof;
FIG. 48 is a rear perspective view thereof;
FIG. 49 is a front perspective view of a seventh embodiment thereof;
FIG. 50 is a front view thereof;
FIG. 51 is a rear view thereof;
FIG. 52 is a top view thereof;
FIG. 53 is a bottom view thereof;
FIG. 54 is a right side view thereof;
FIG. 55 is a left side view thereof;
FIG. 56 is a rear perspective view thereof;
FIG. 57 is a front perspective view of an eighth embodiment thereof;
FIG. 58 is a front view thereof;
FIG. 59 is a rear view thereof;
FIG. 60 is a top view thereof;
FIG. 61 is a bottom view thereof;
FIG. 62 is a right side view thereof;
FIG. 63 is a left side view thereof; and,
FIG. 64 is a rear perspective view thereof.
The broken lines illustrate portions of the packaging and form no part of the claimed design.

1 Claim, 16 Drawing Sheets

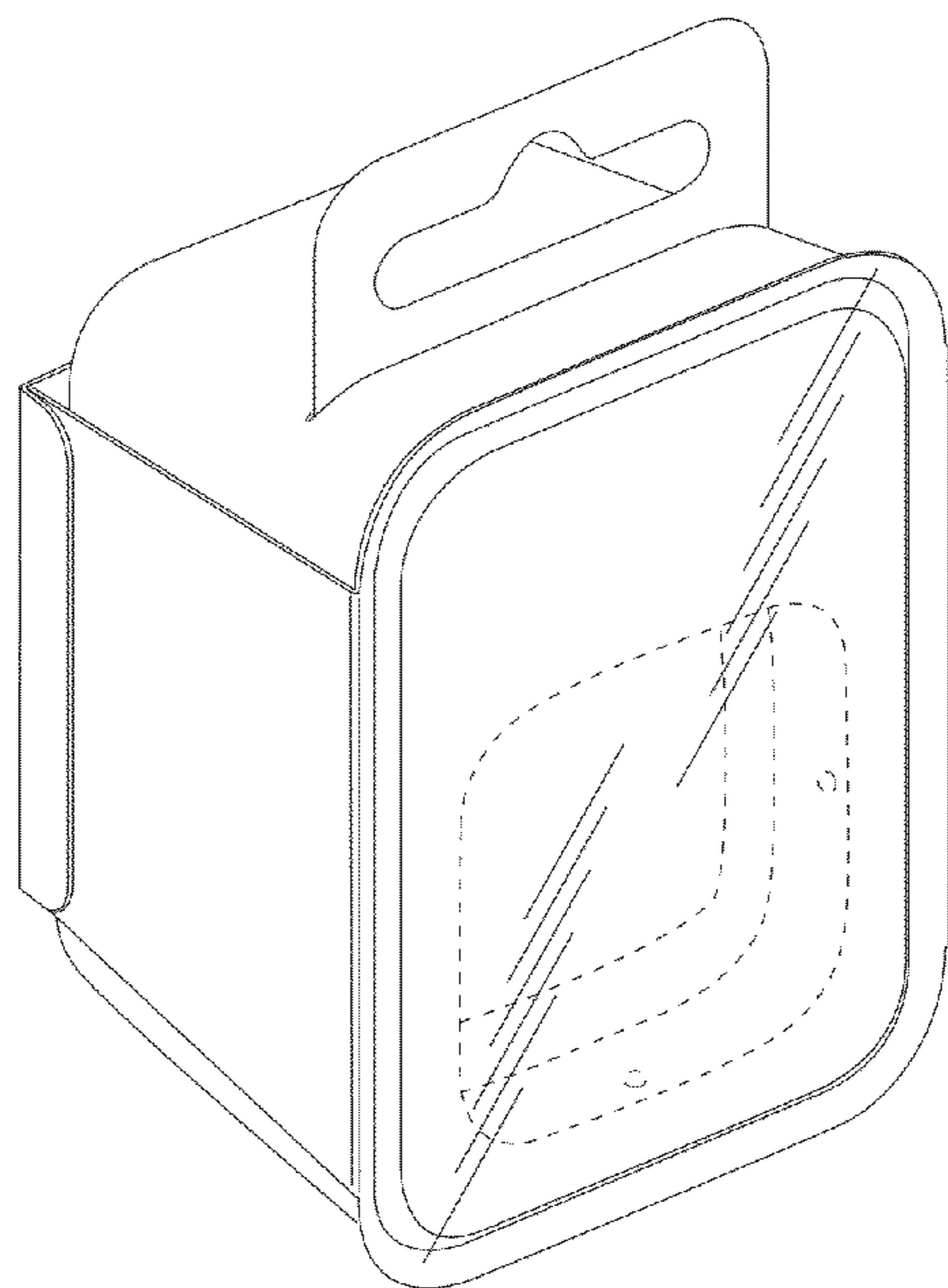


FIG. 1

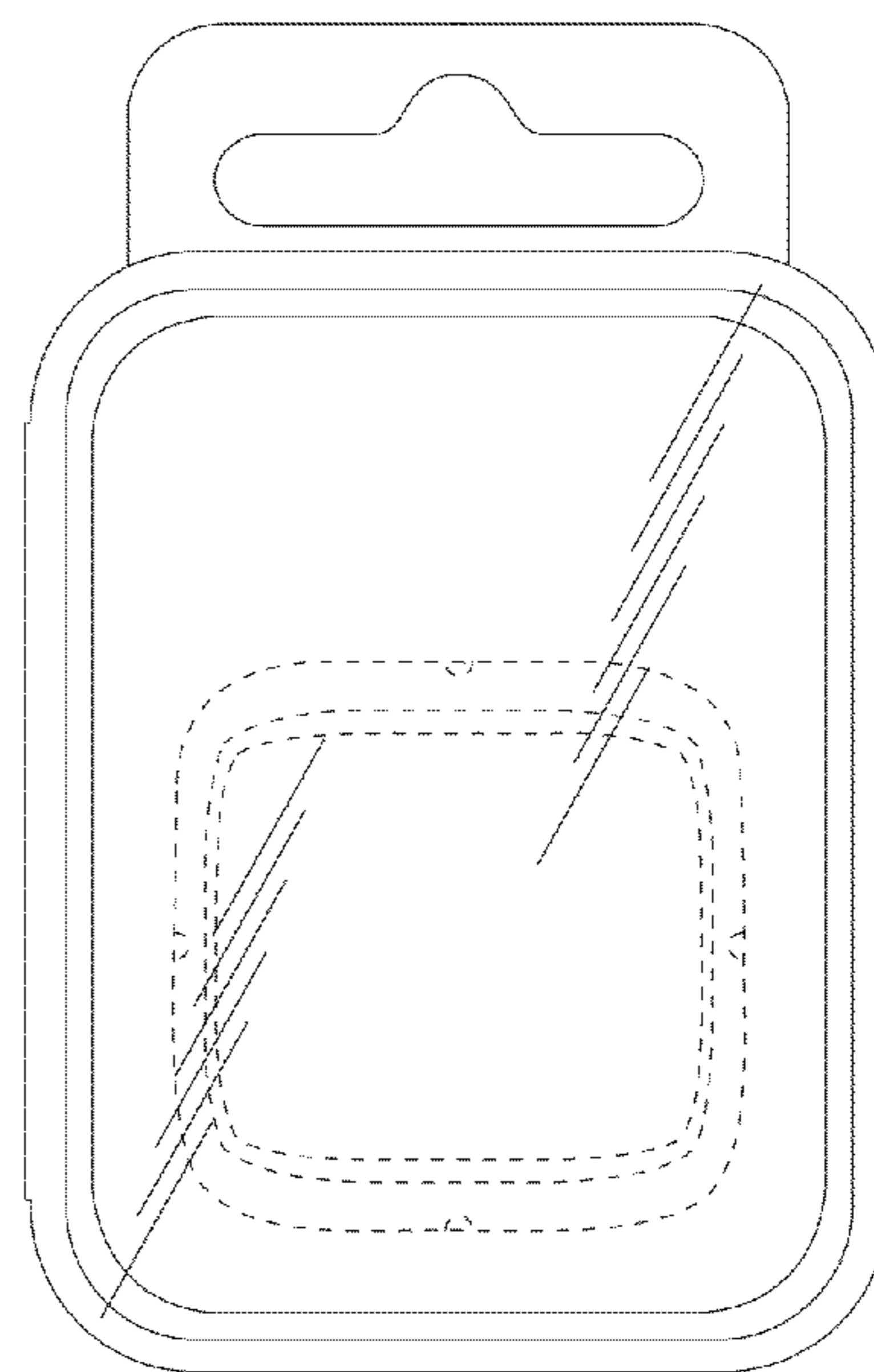


FIG. 2

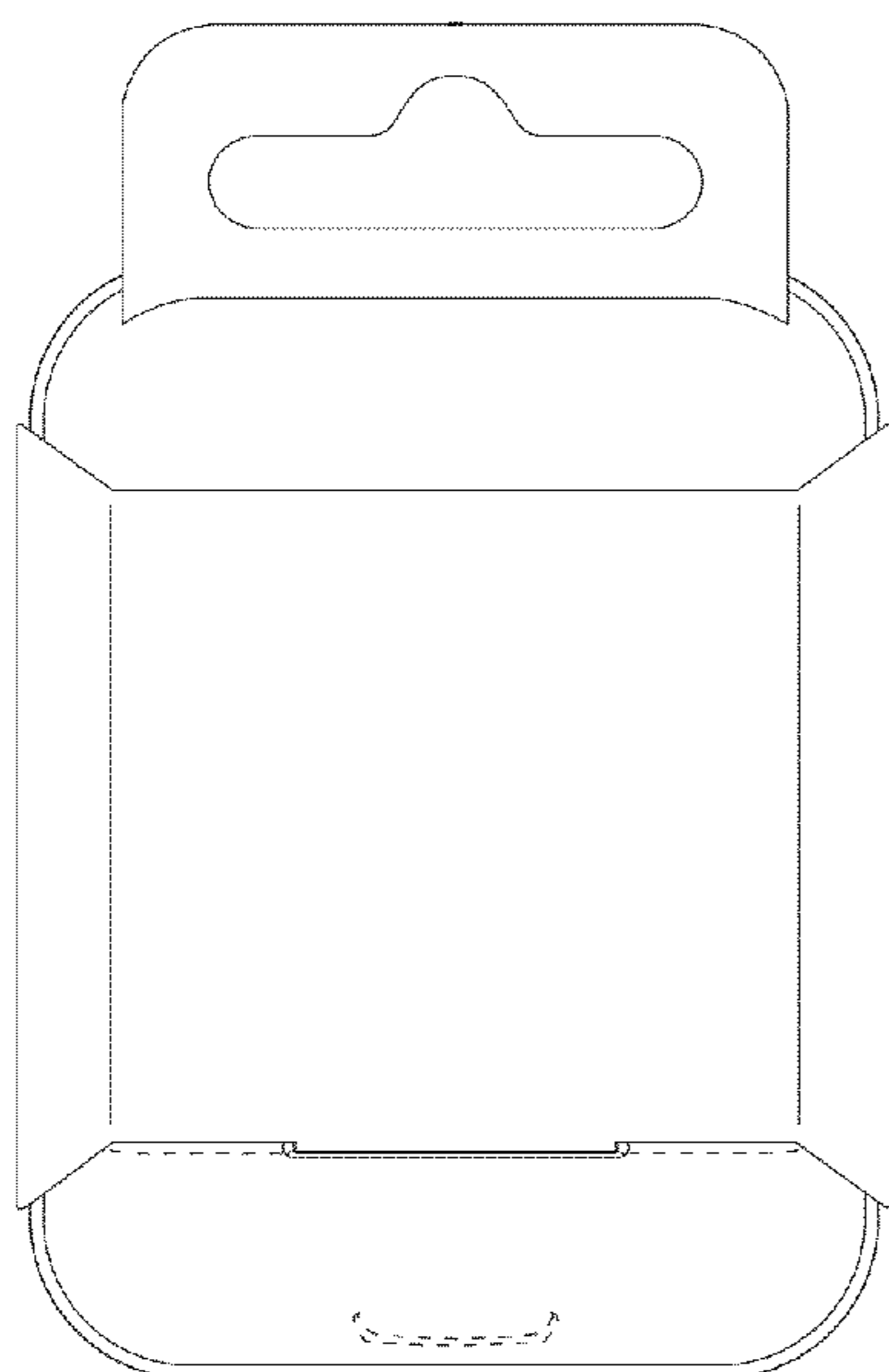


FIG. 3

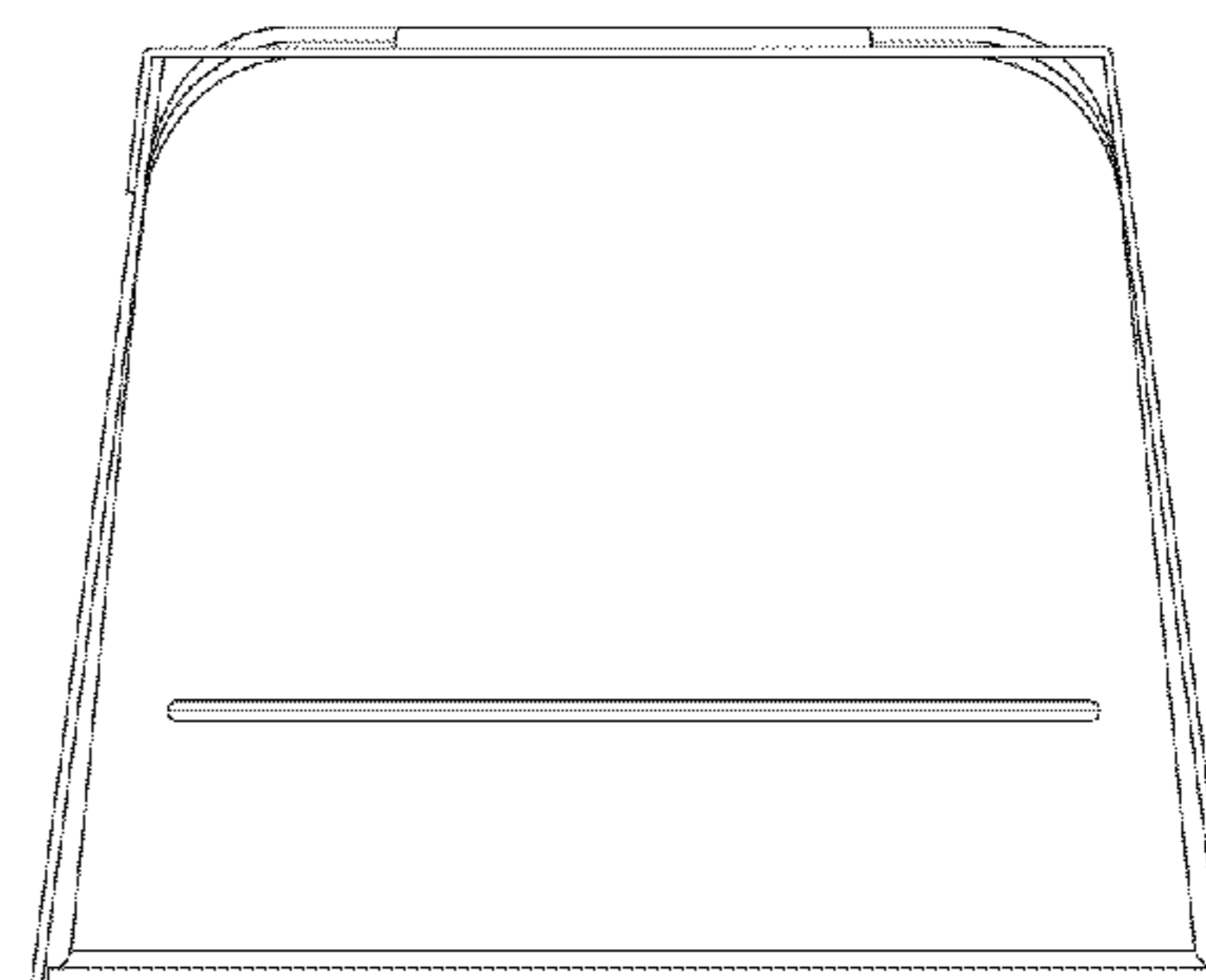


FIG. 4

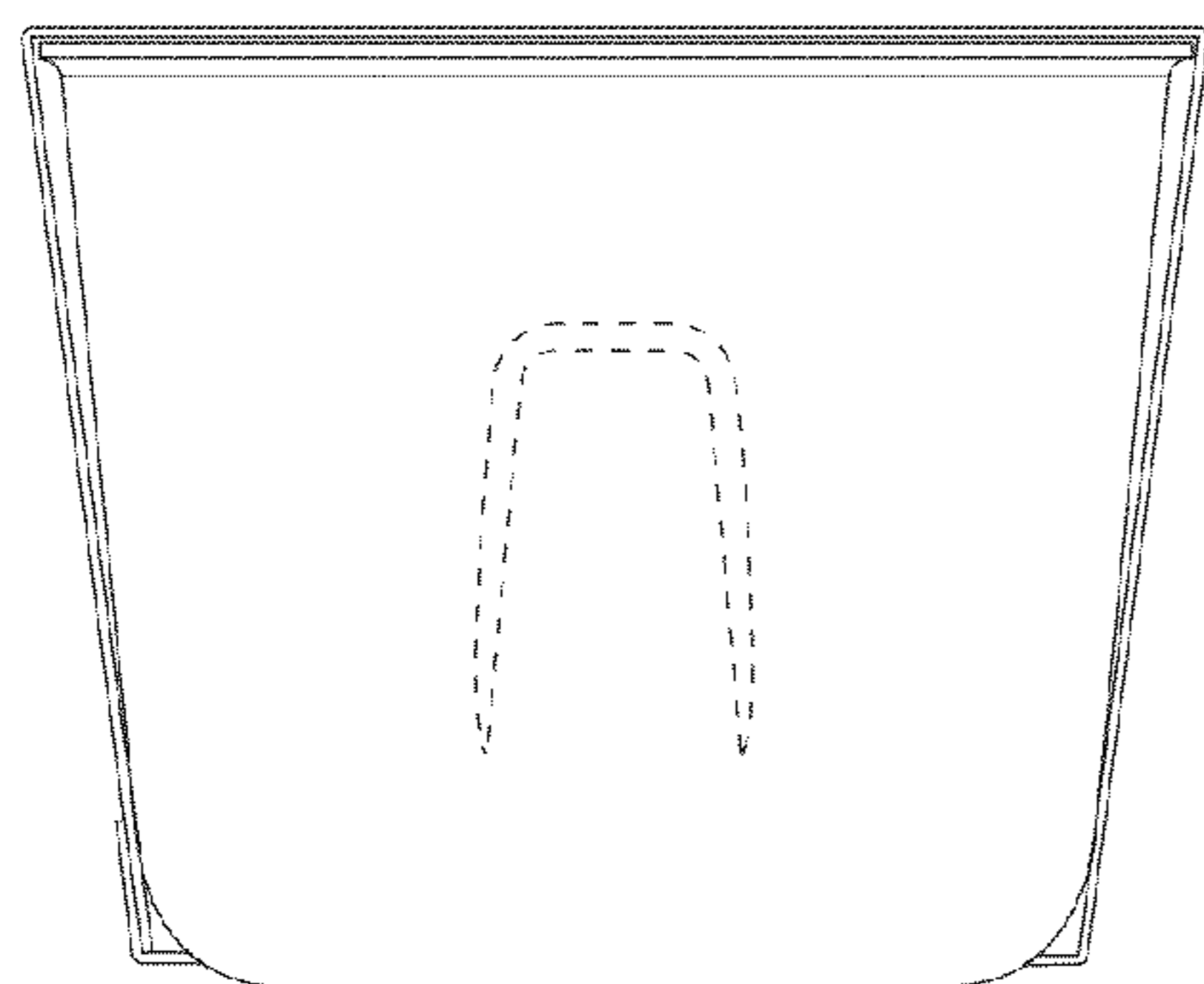


FIG. 5

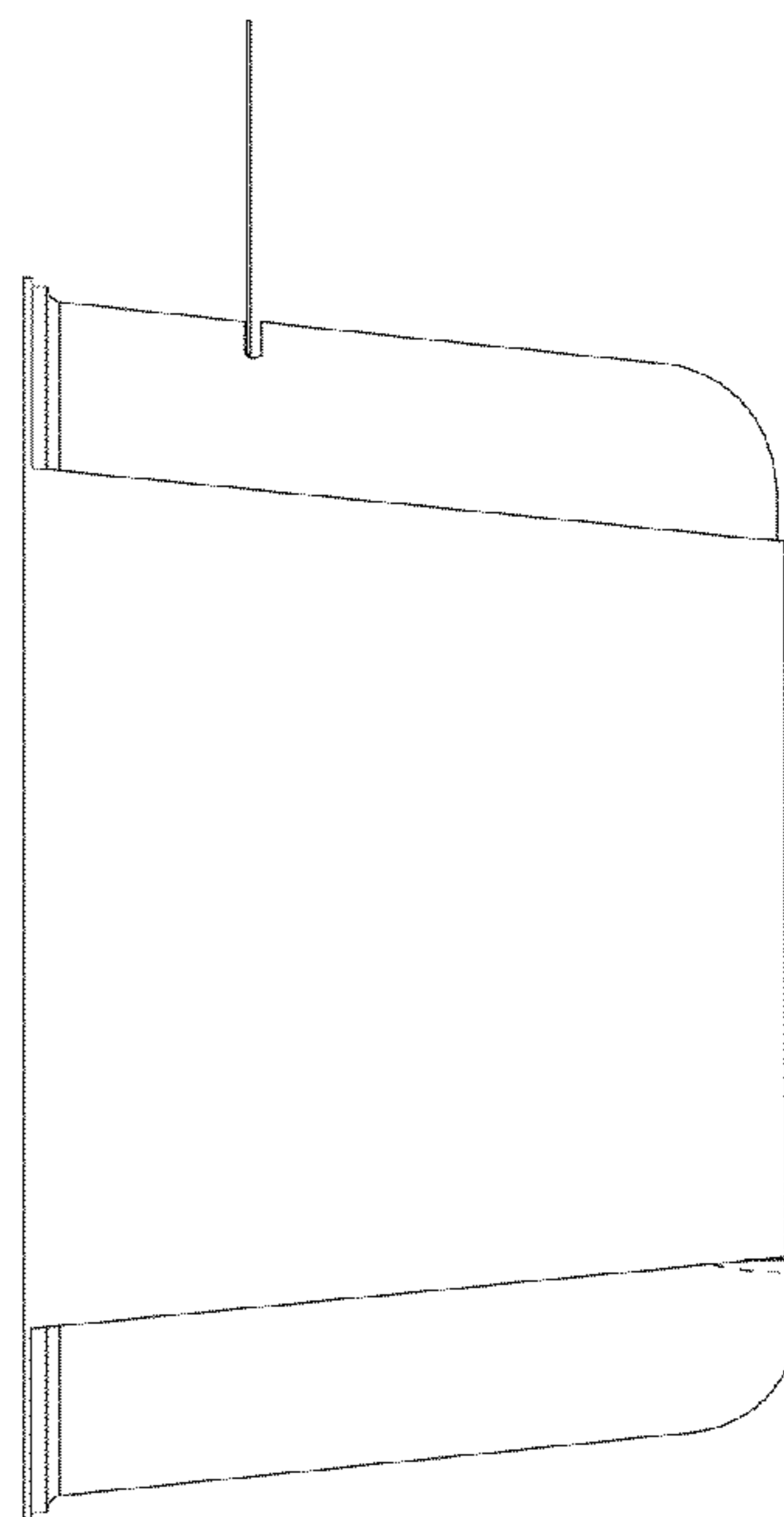


FIG. 6

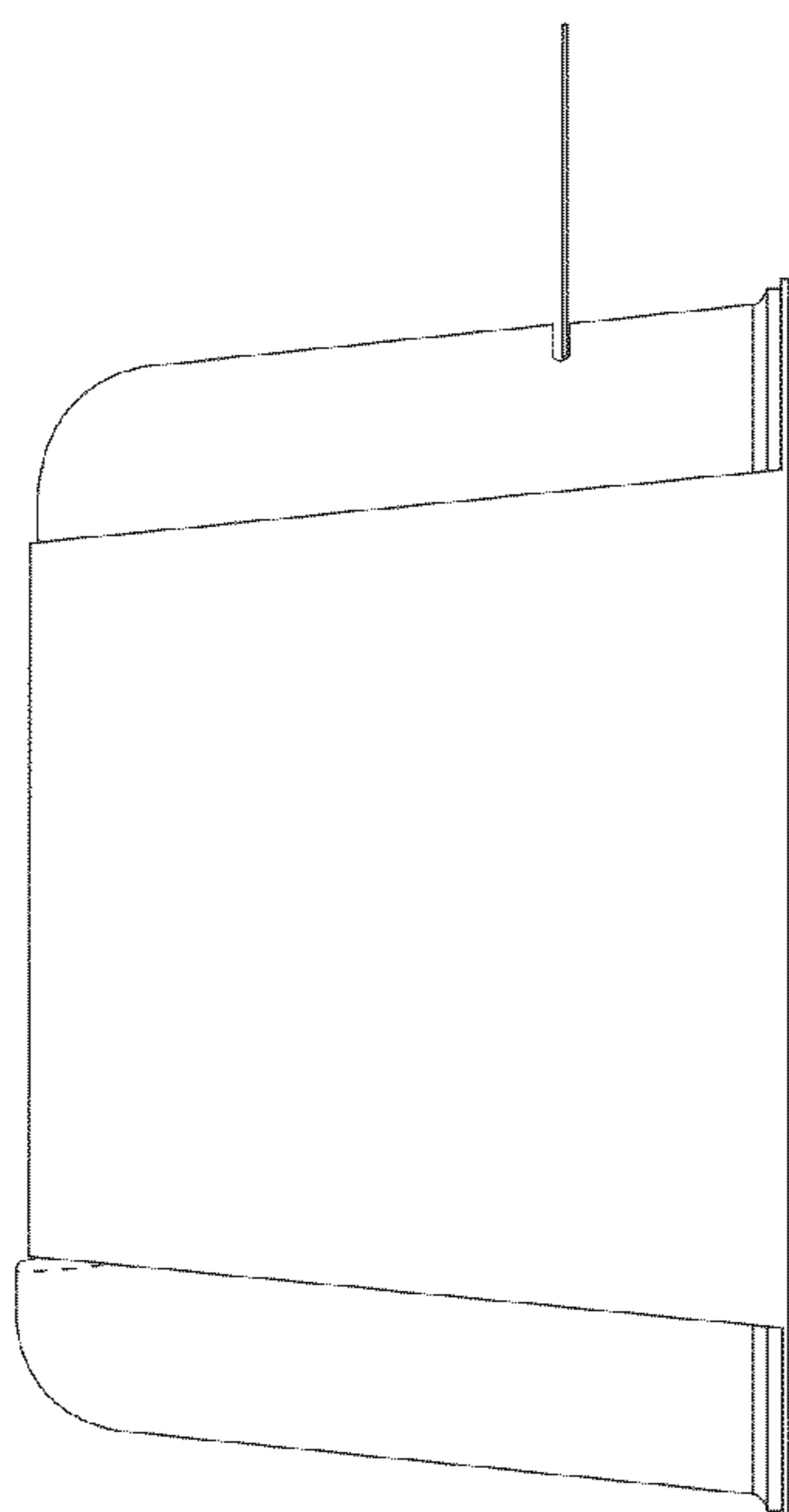


FIG. 7

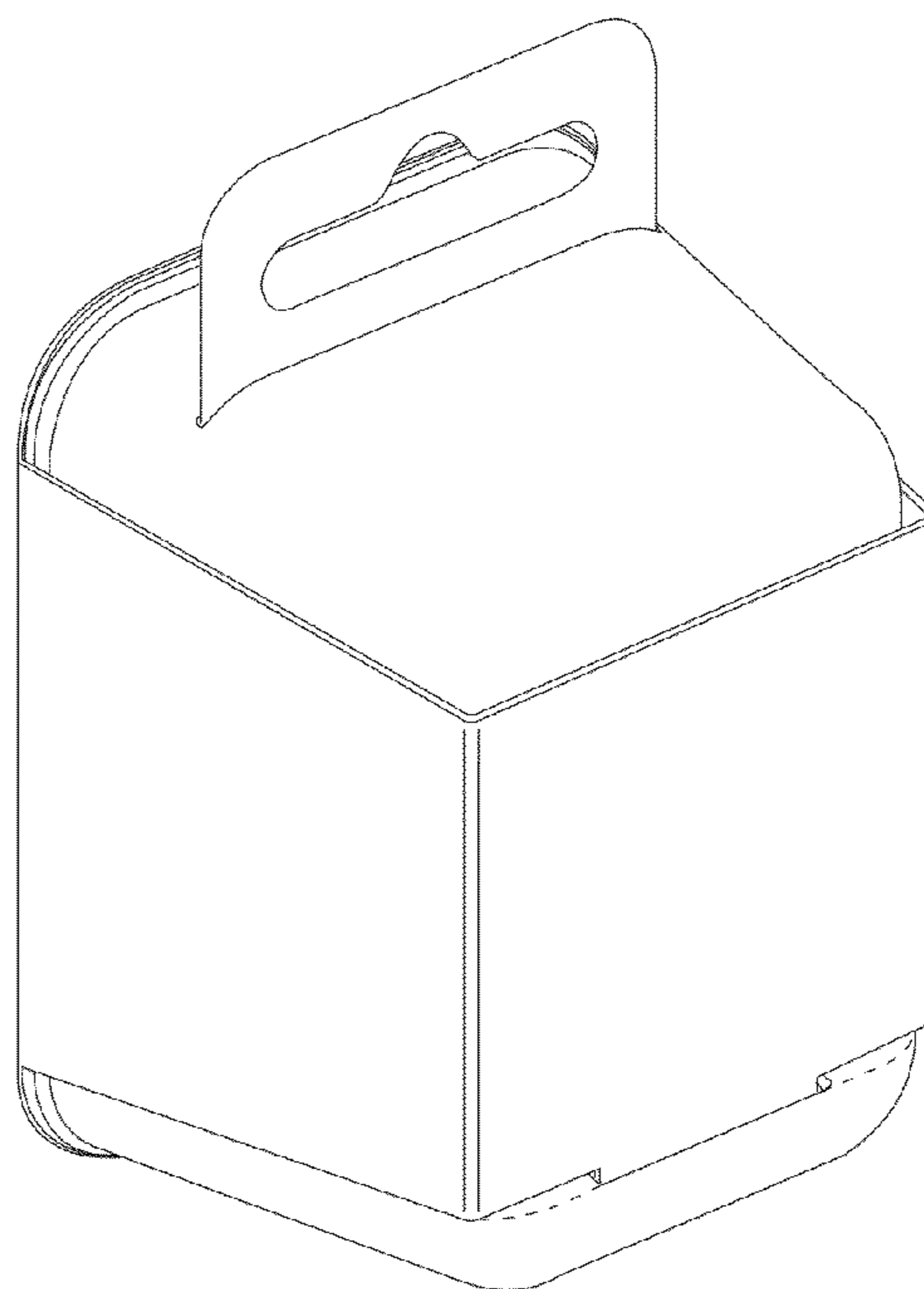


FIG. 8

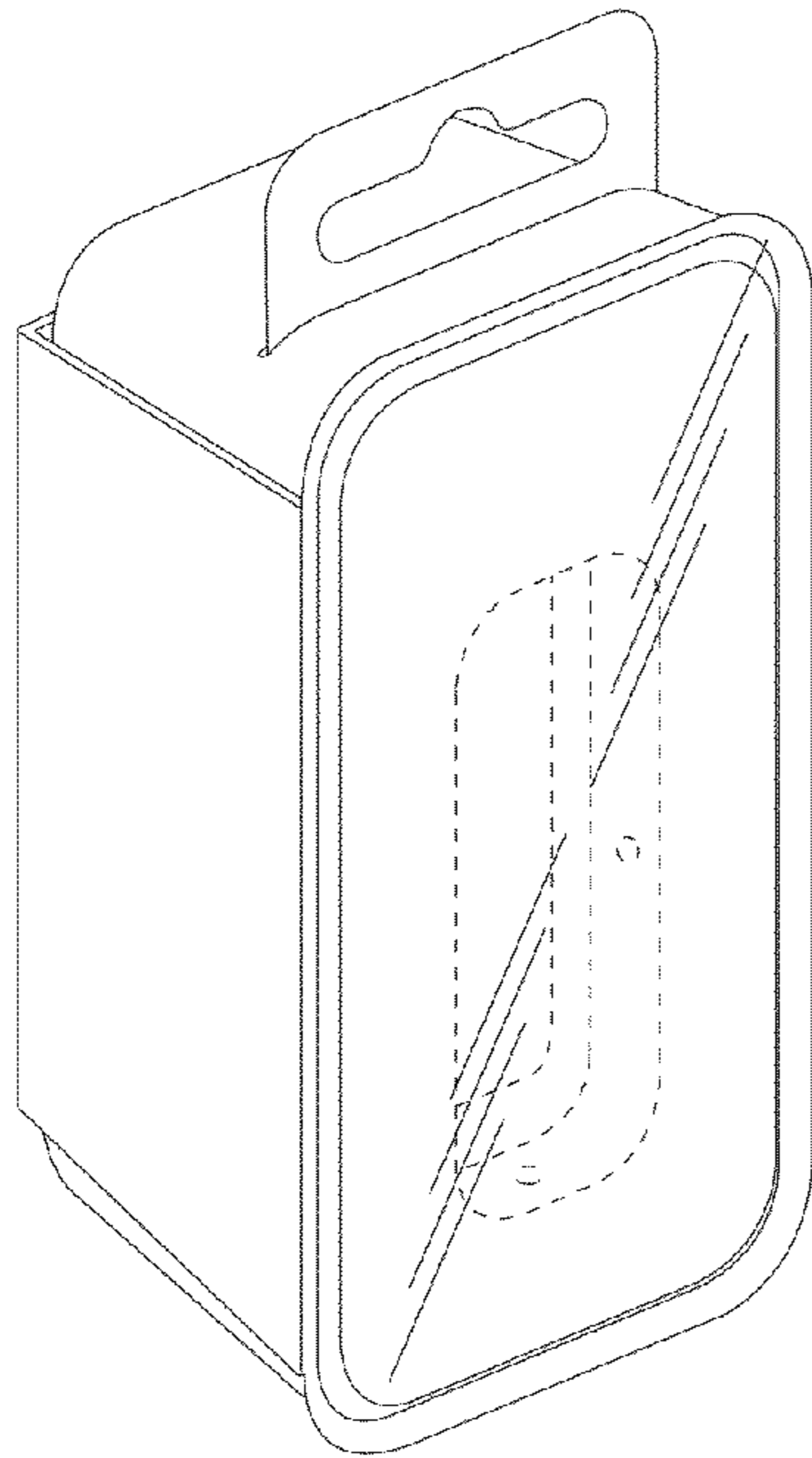


FIG. 9

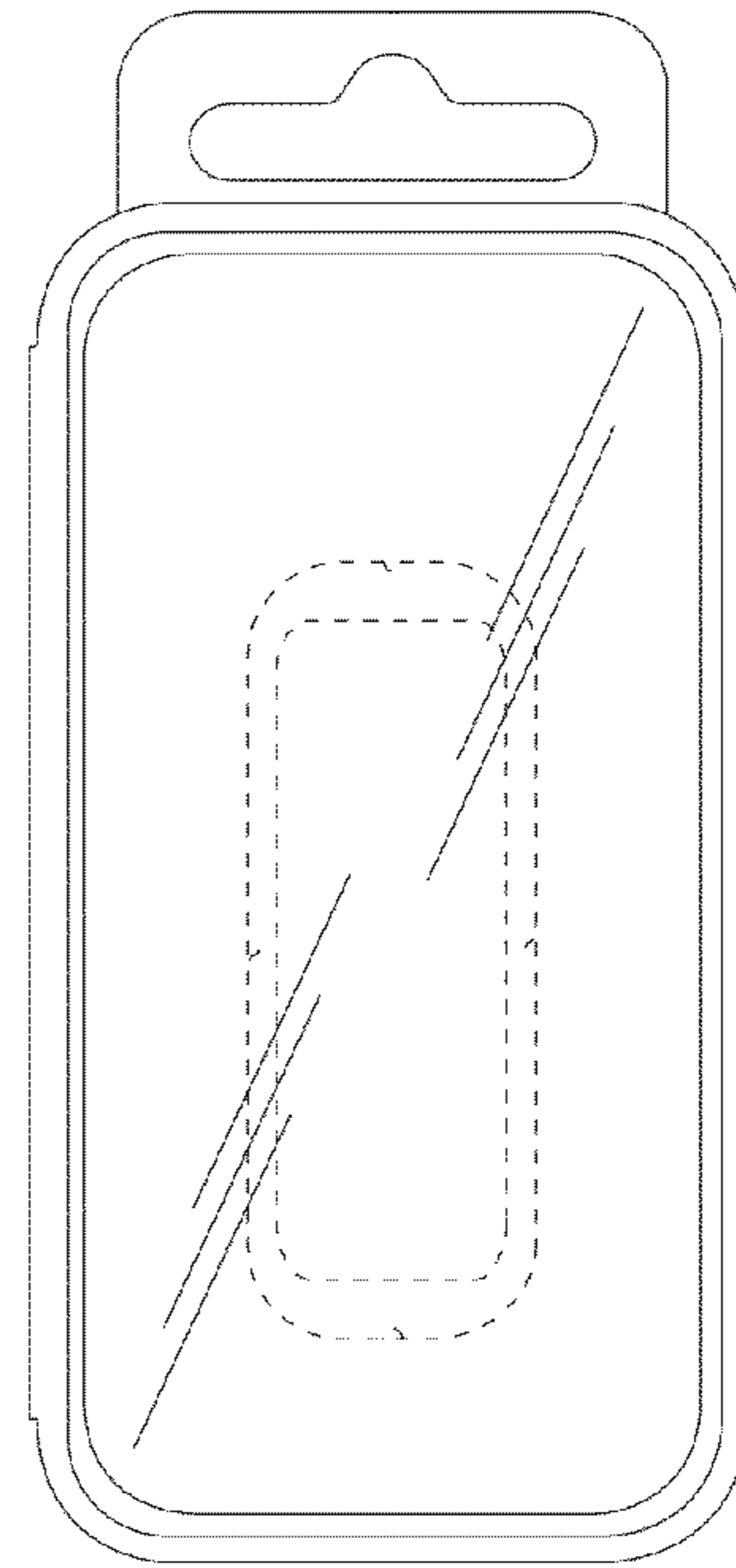


FIG. 10

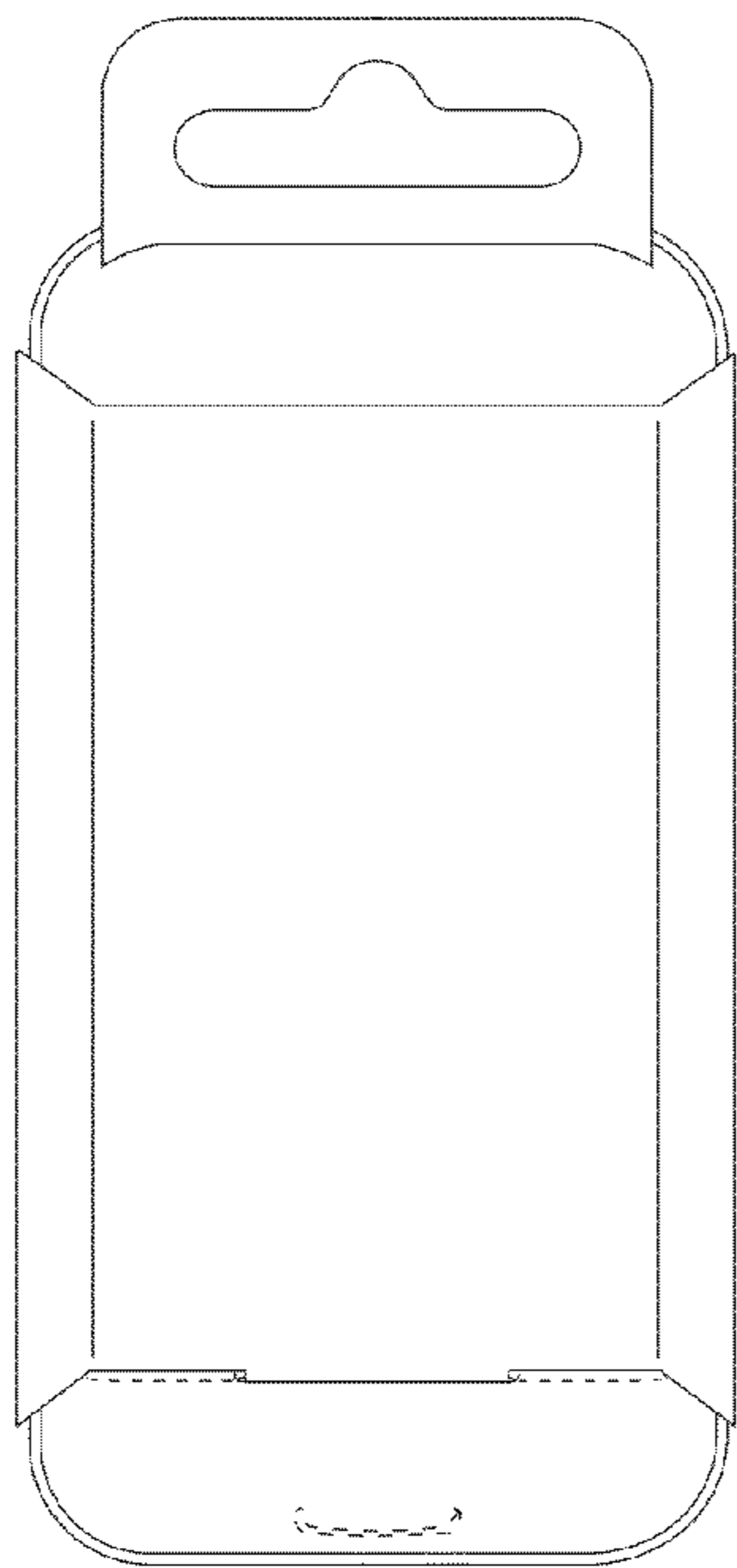


FIG. 11

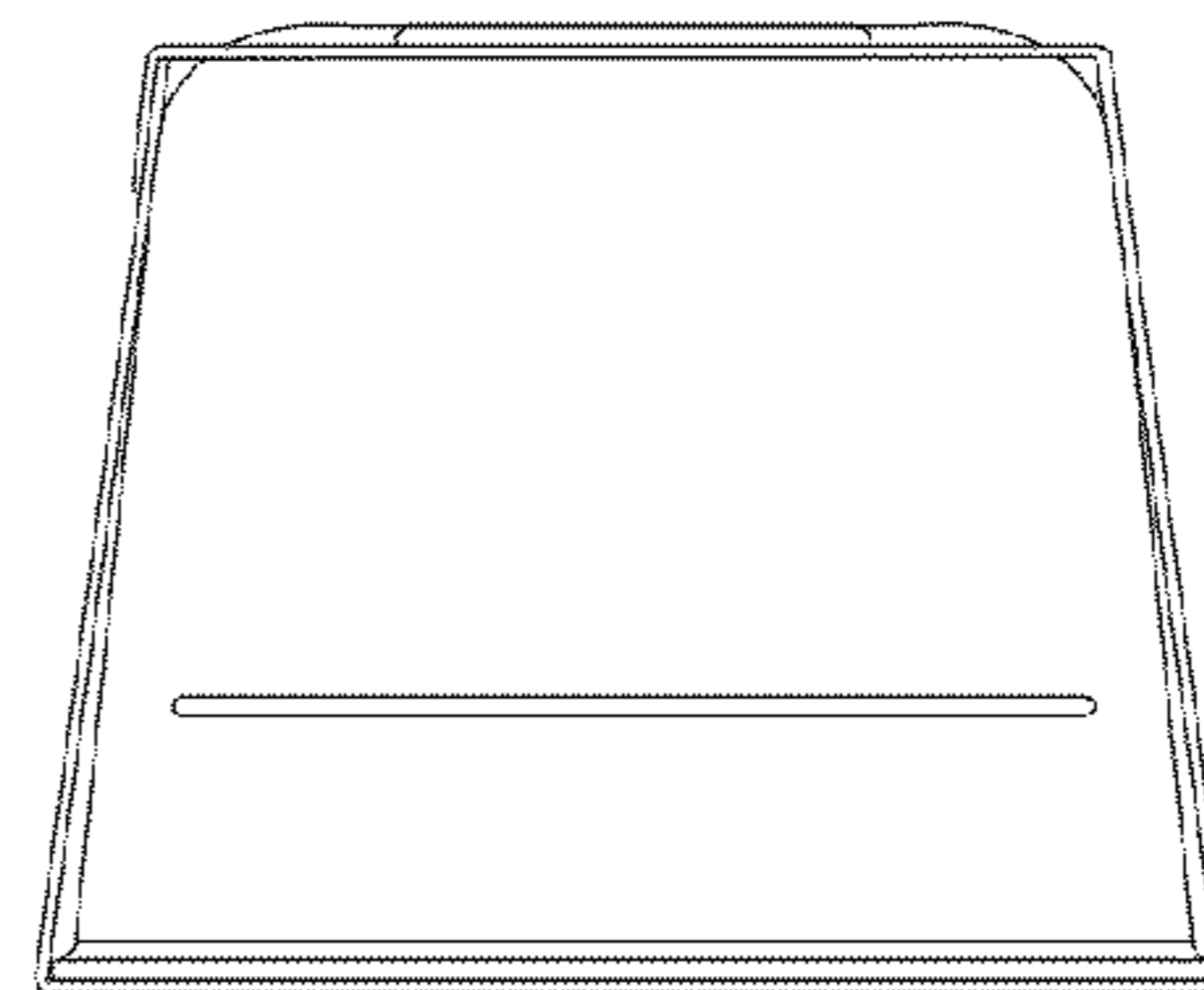


FIG. 12

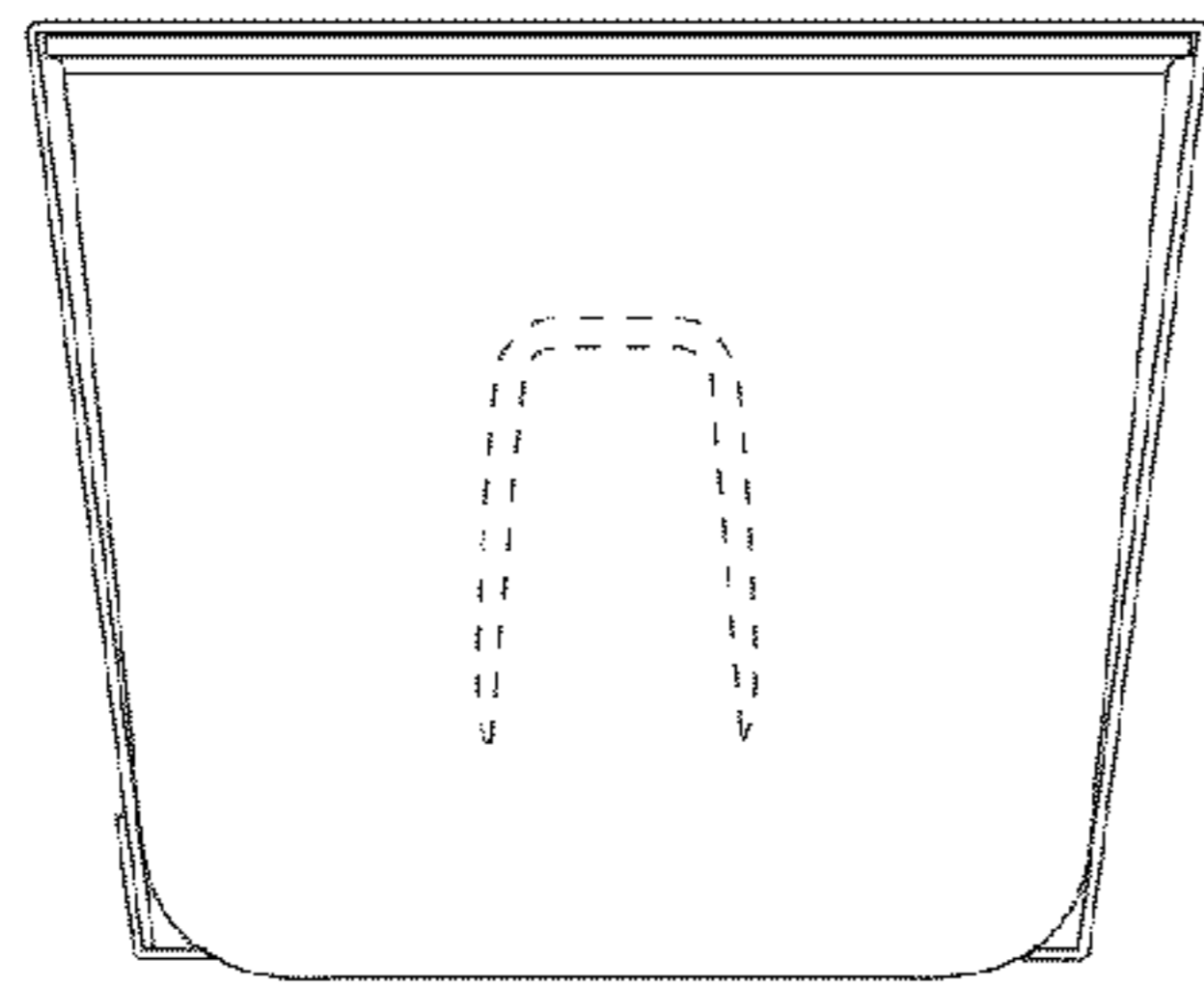


FIG. 13



FIG. 14

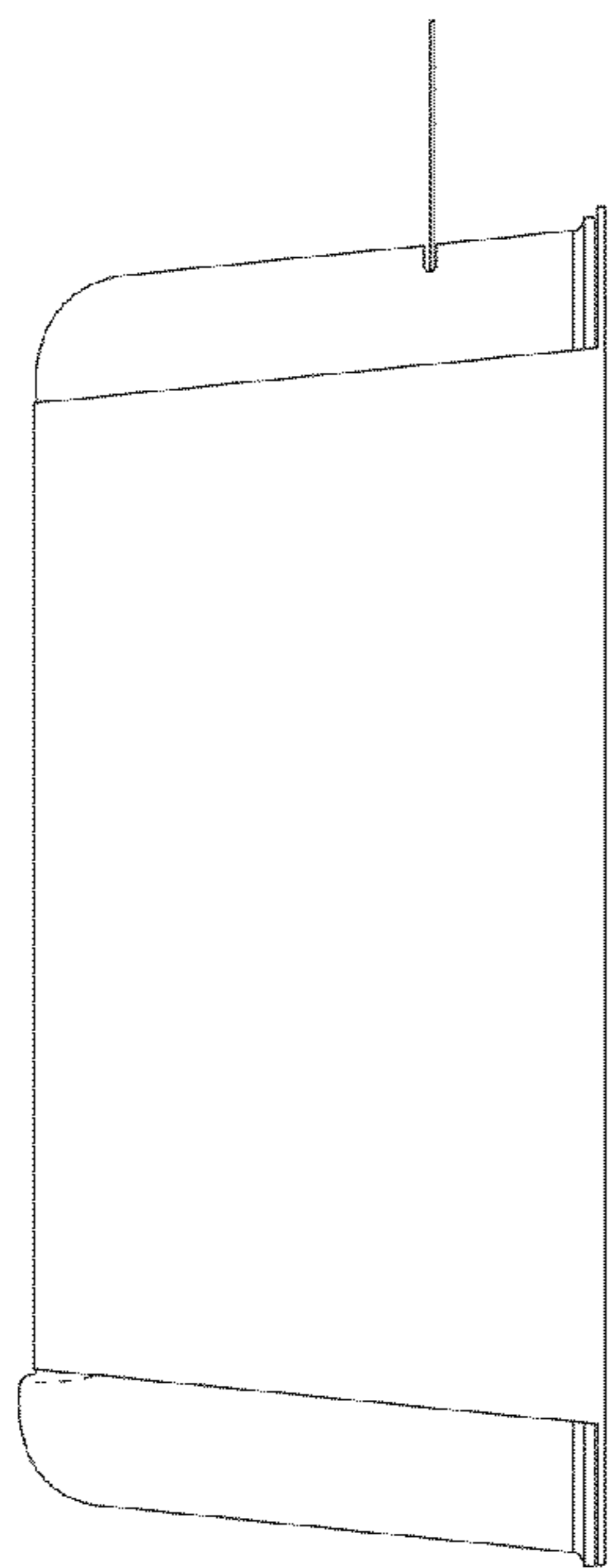


FIG. 15

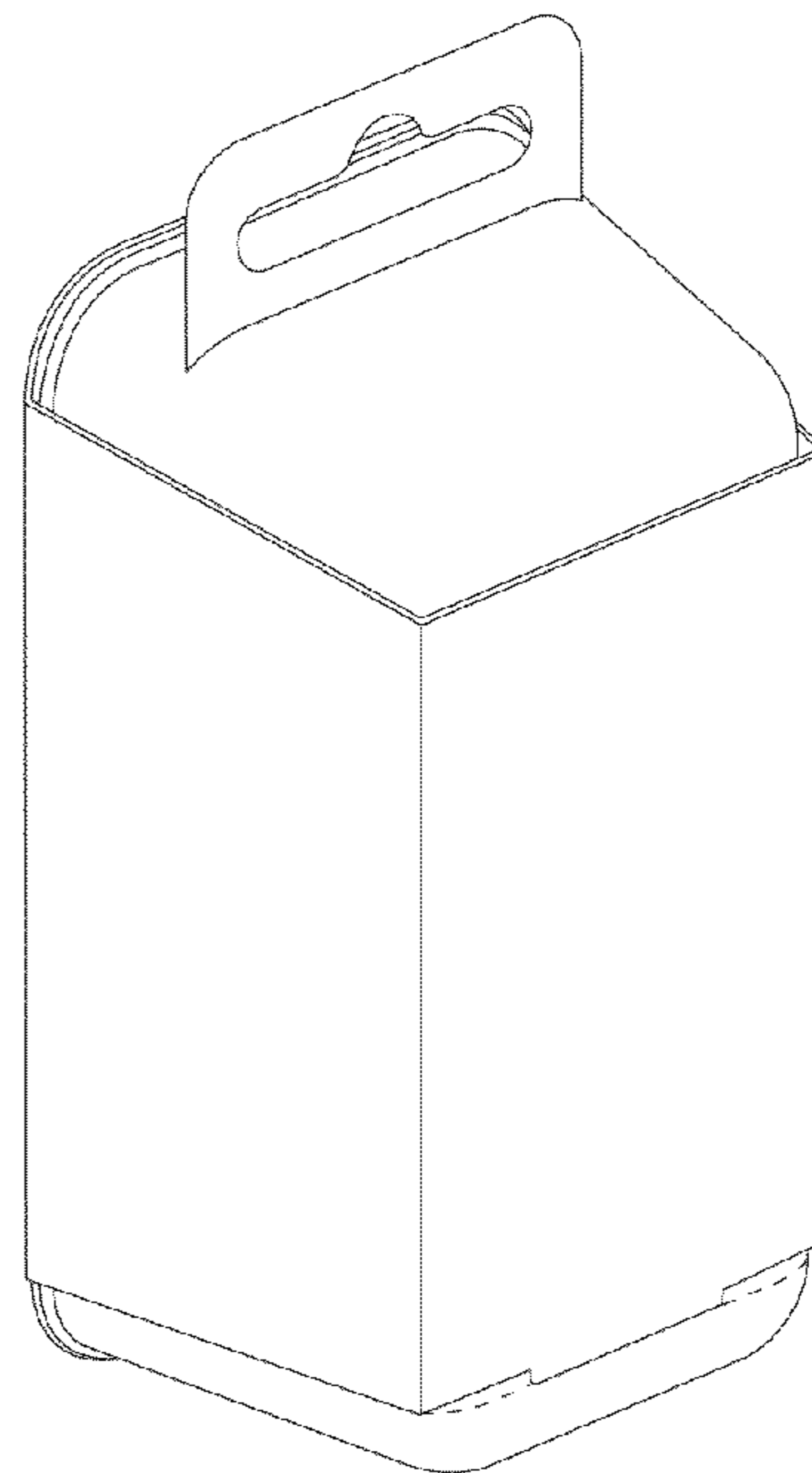


FIG. 16

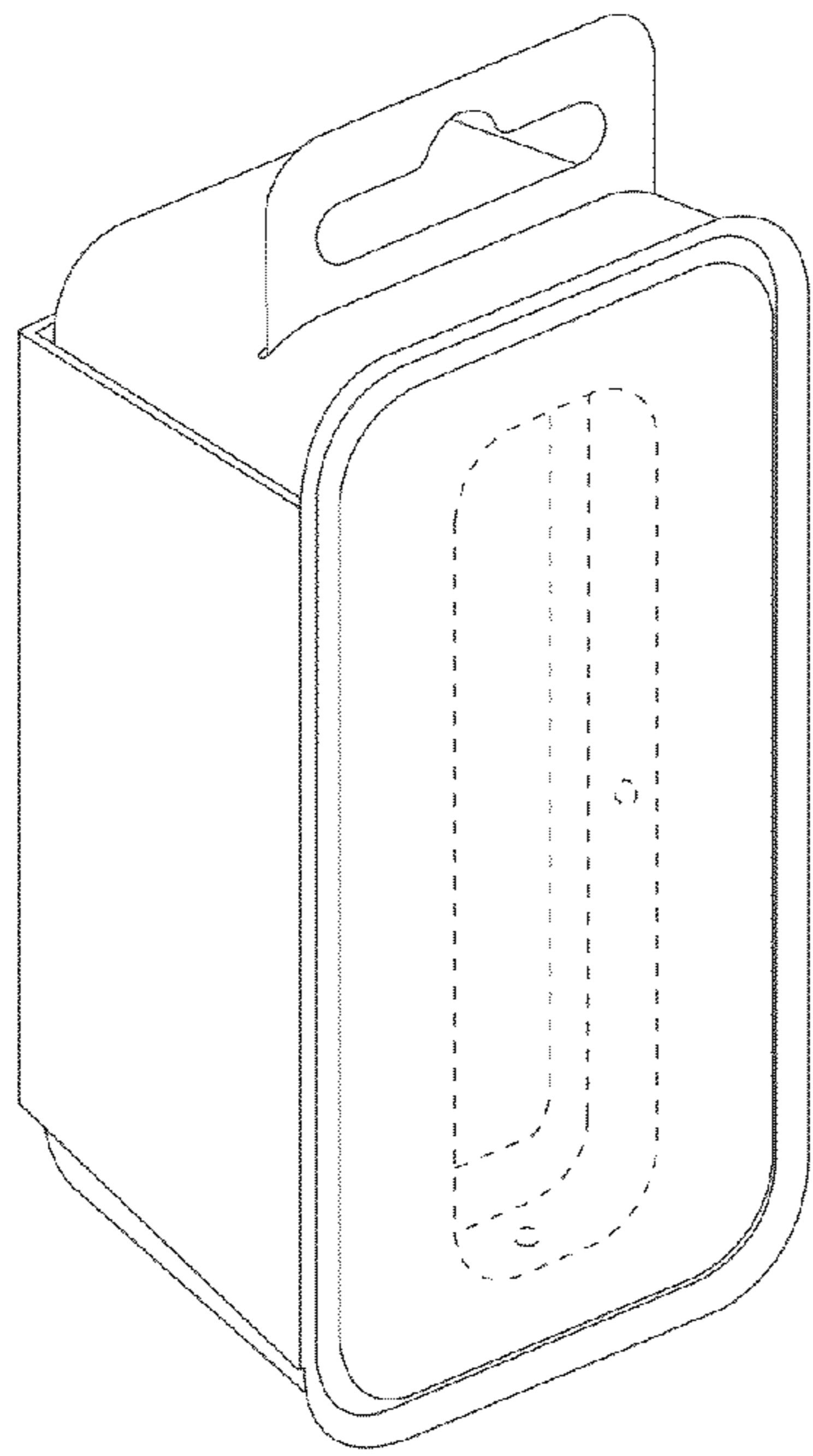


FIG. 17

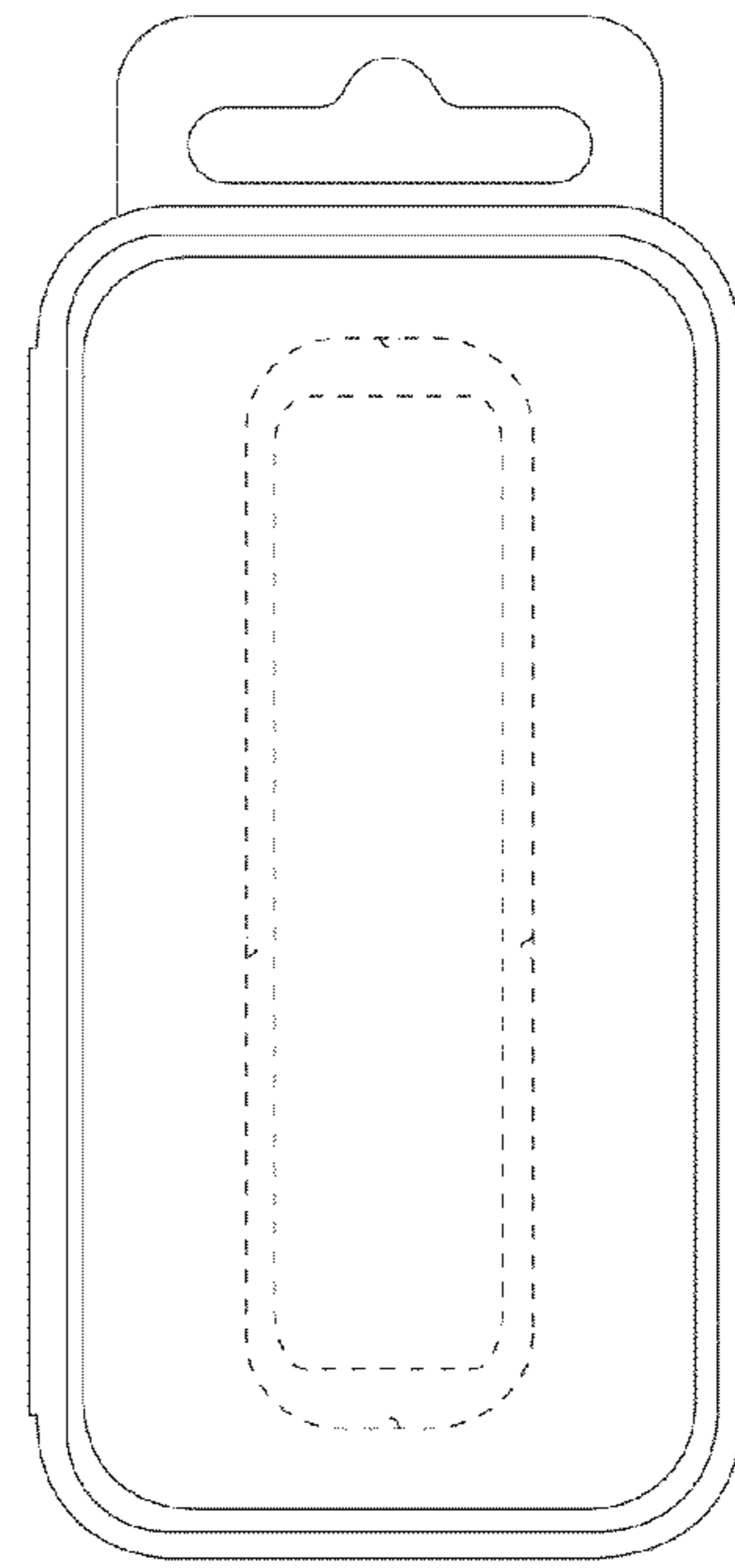


FIG. 18

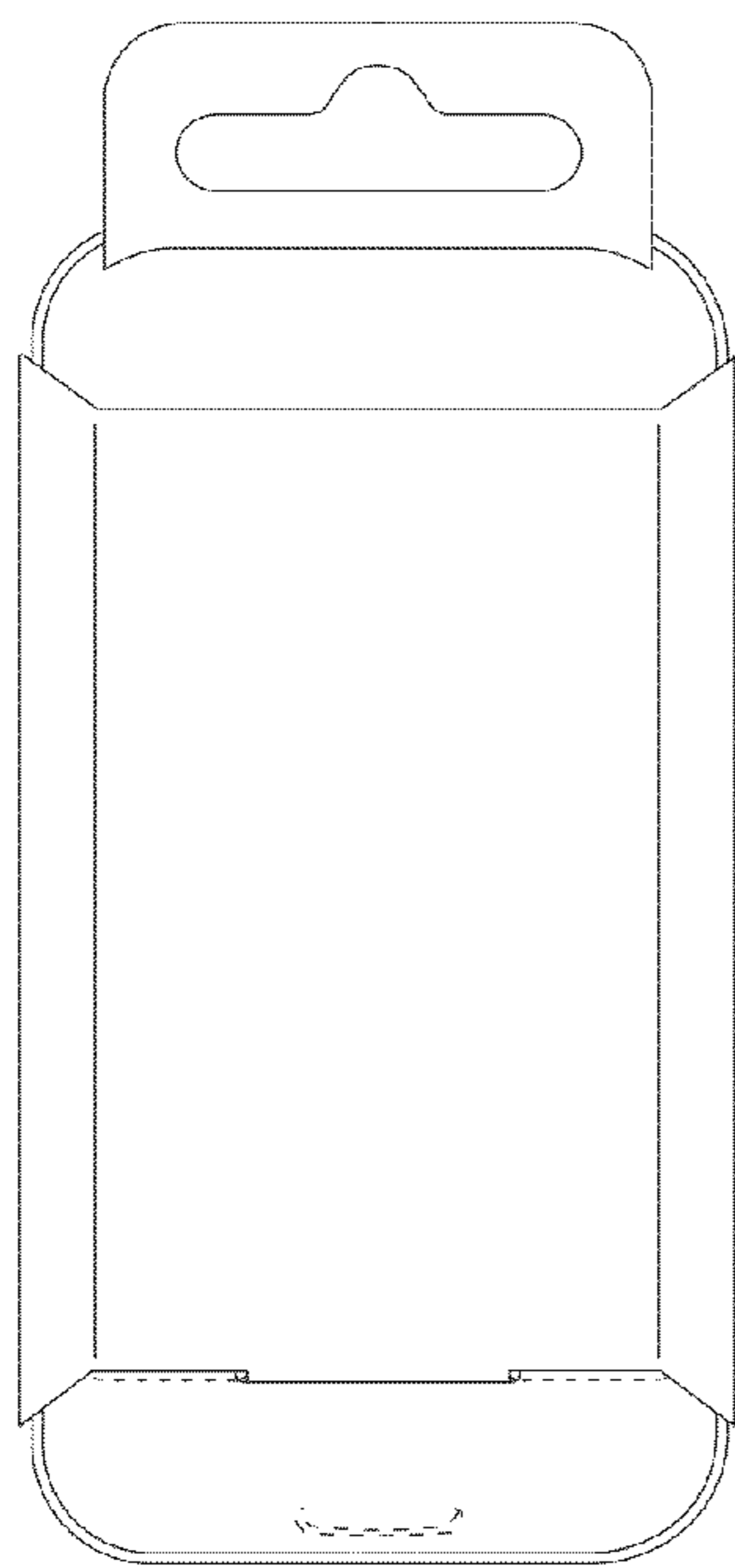


FIG. 19

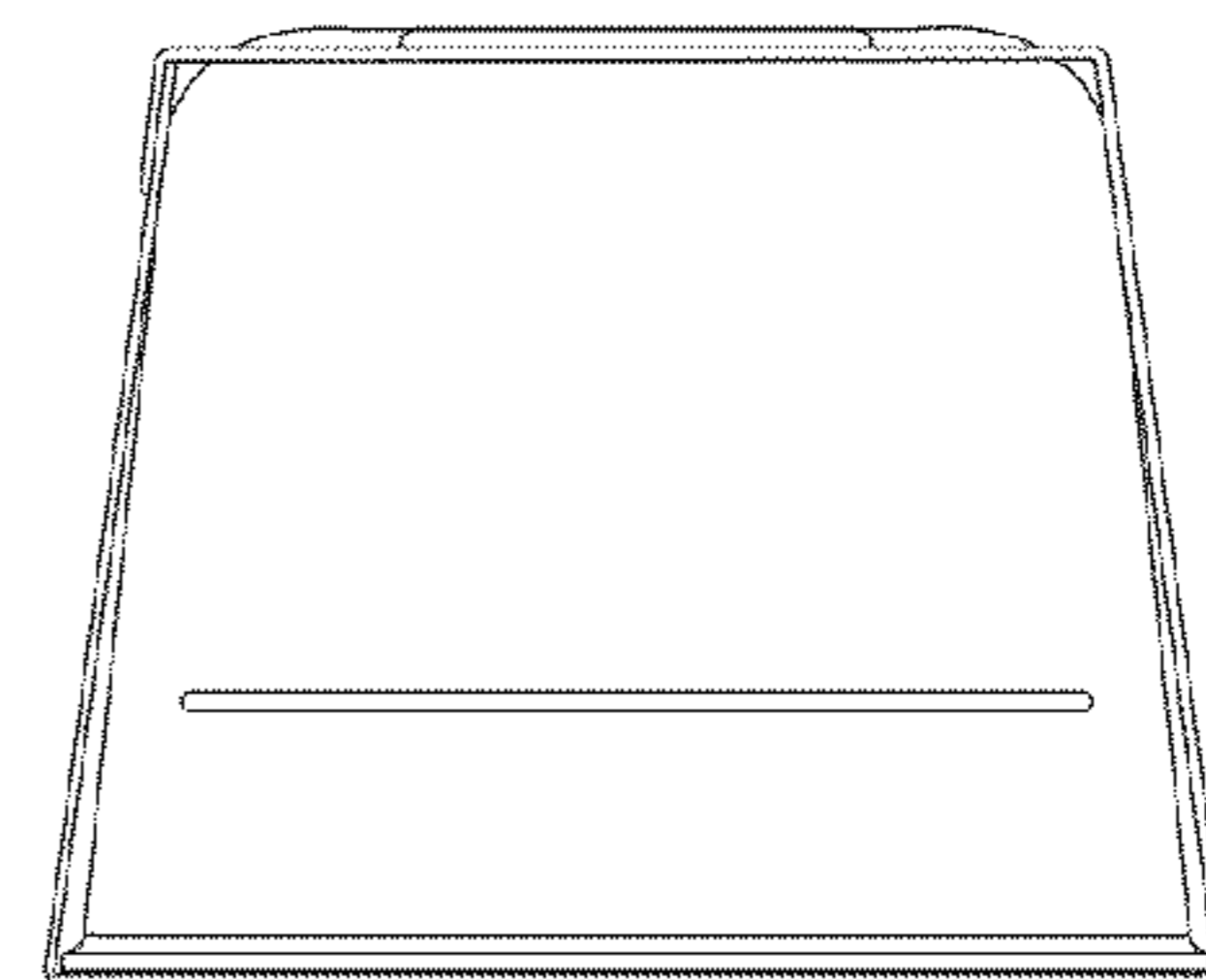


FIG. 20

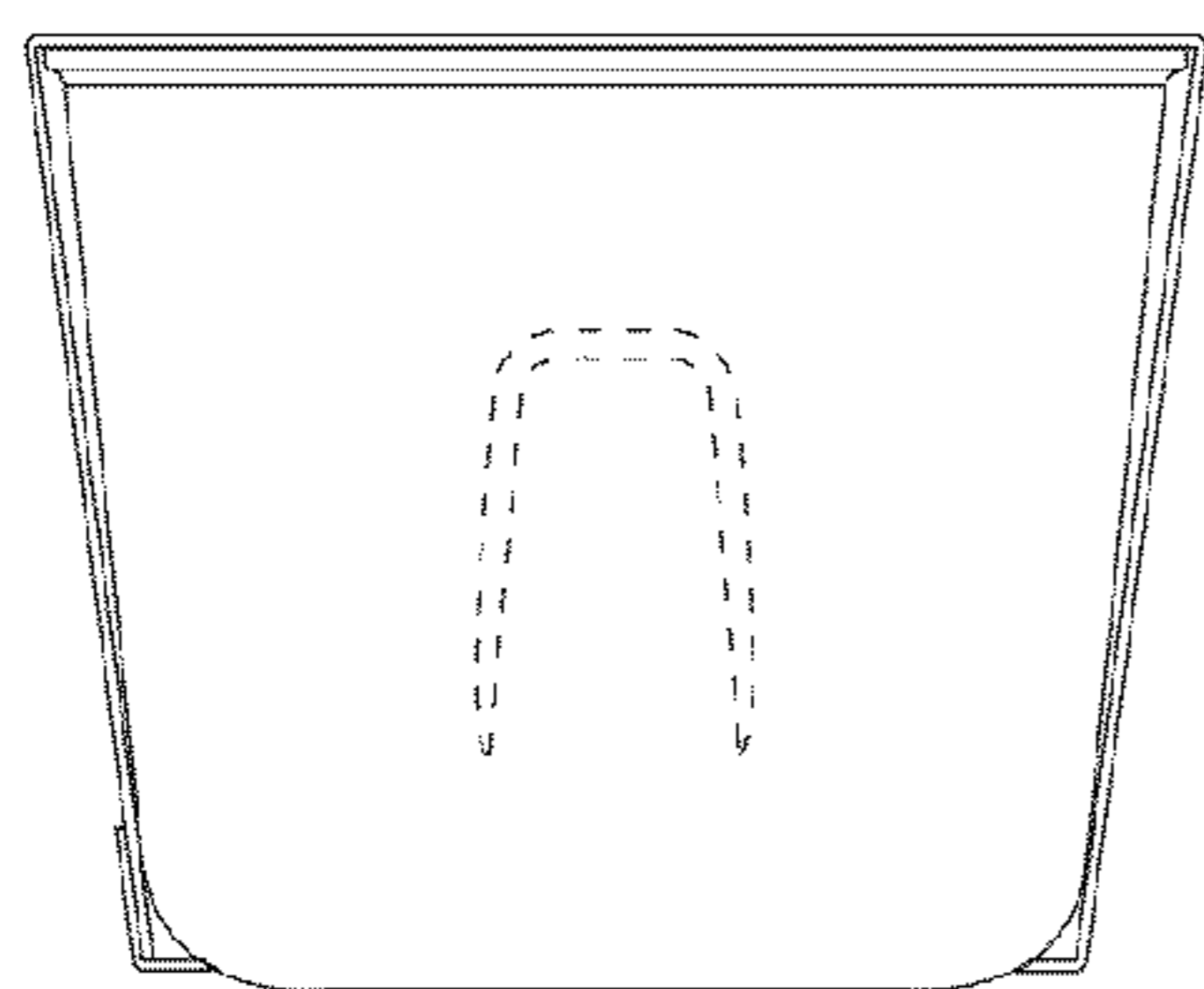


FIG. 21

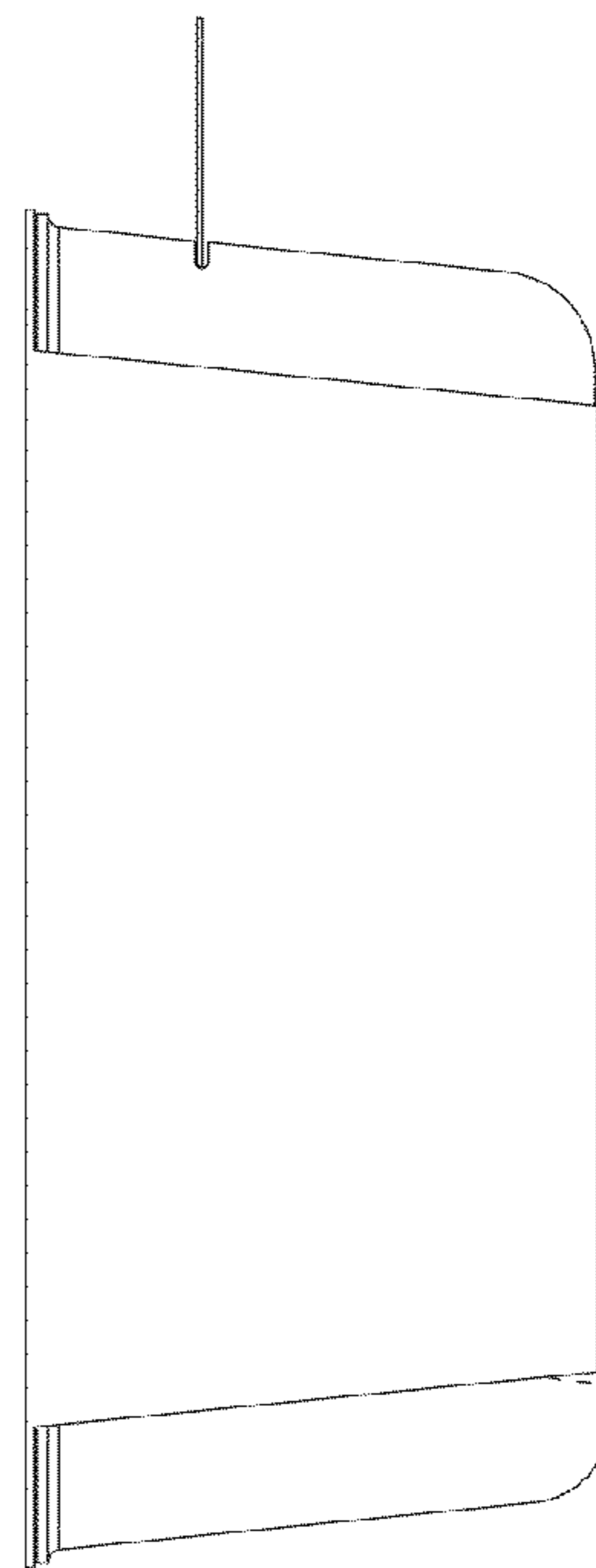


FIG. 22

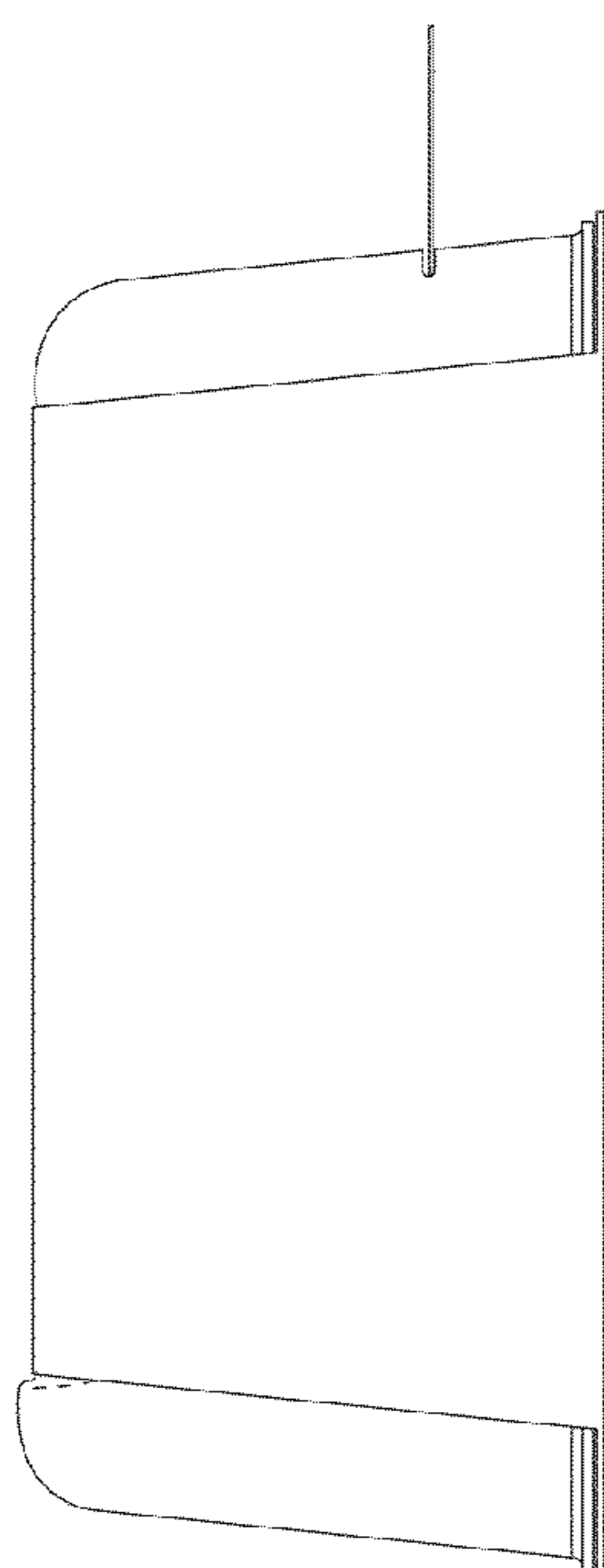


FIG. 23

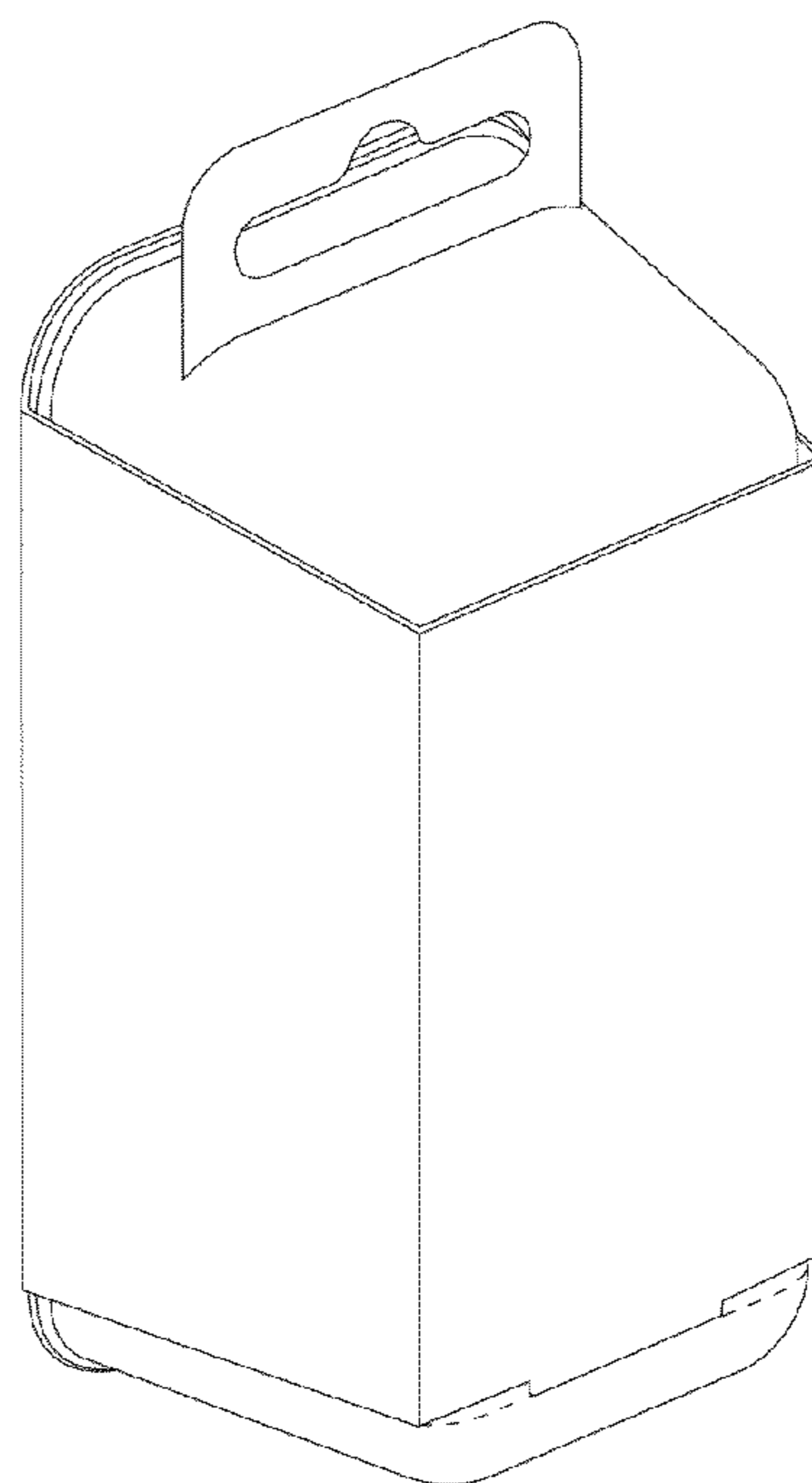


FIG. 24

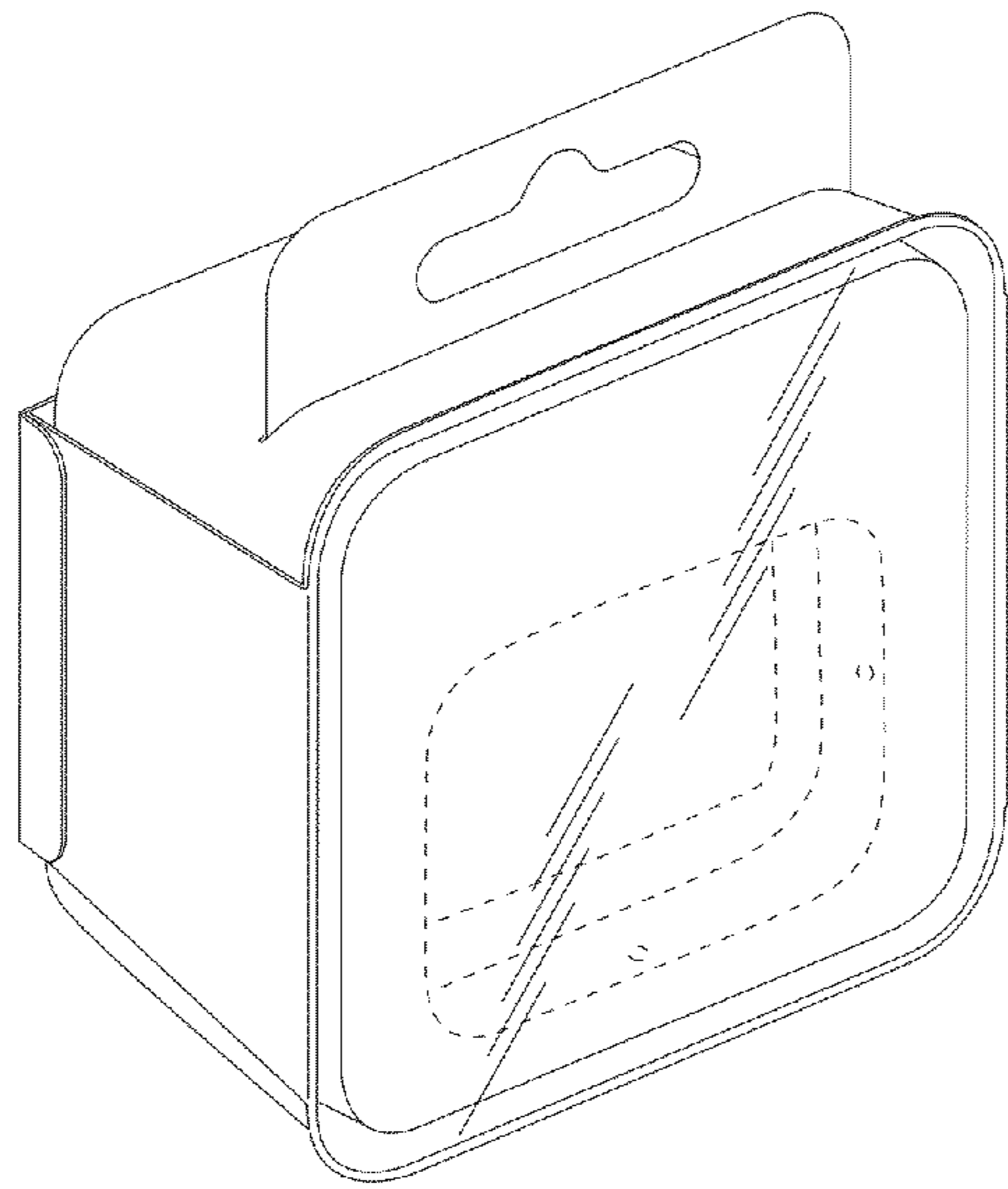


FIG. 25

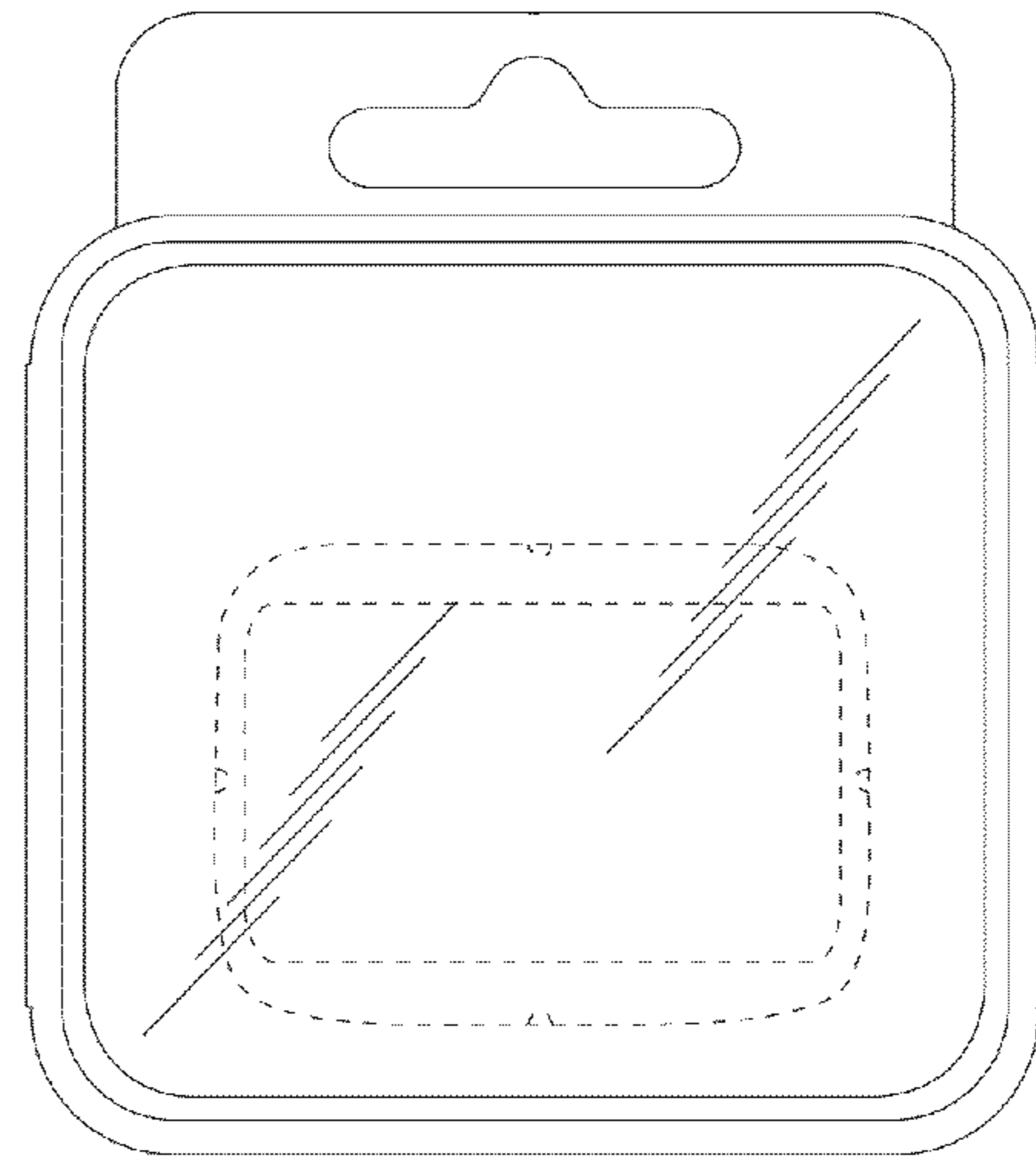


FIG. 26

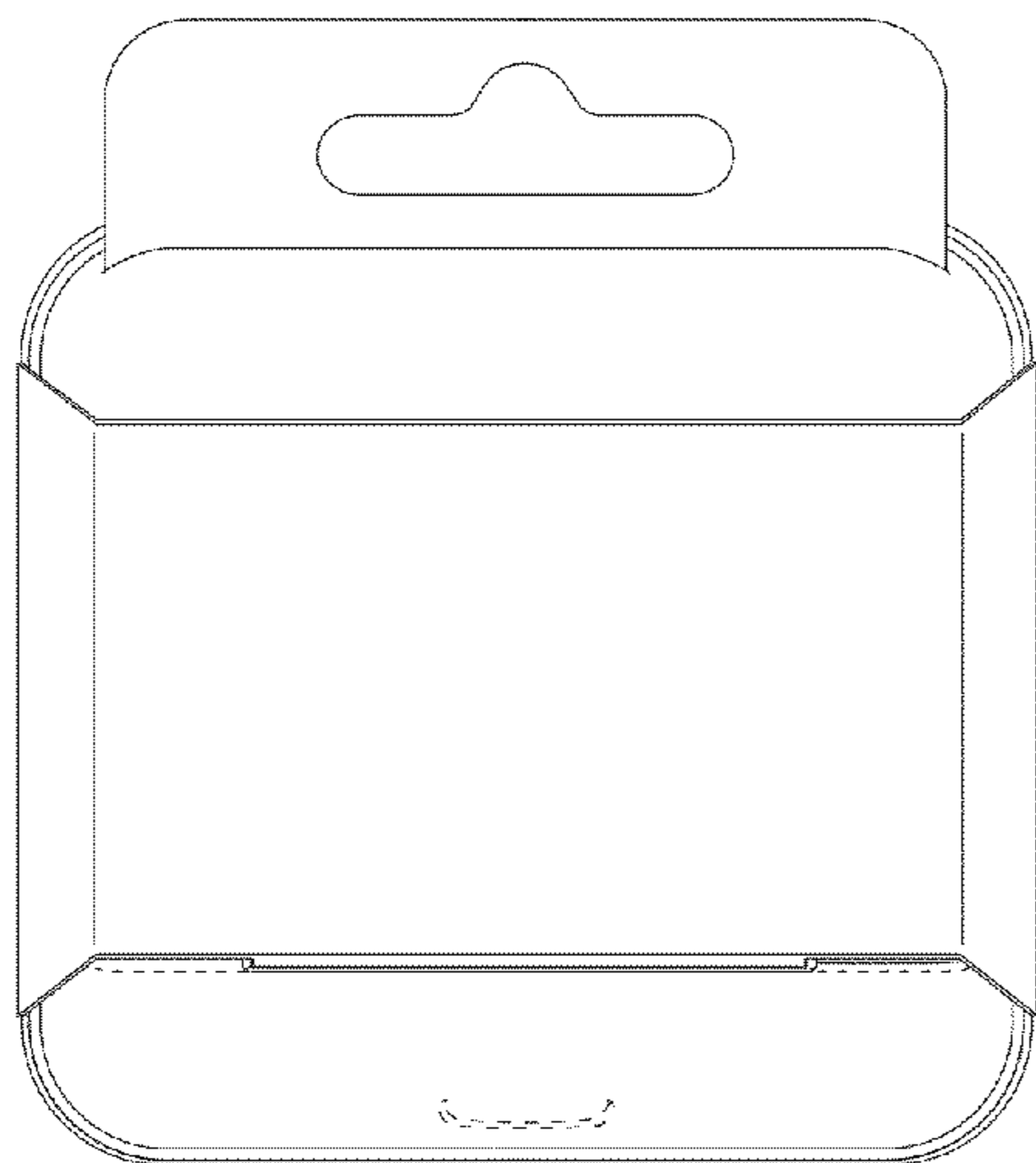


FIG. 27

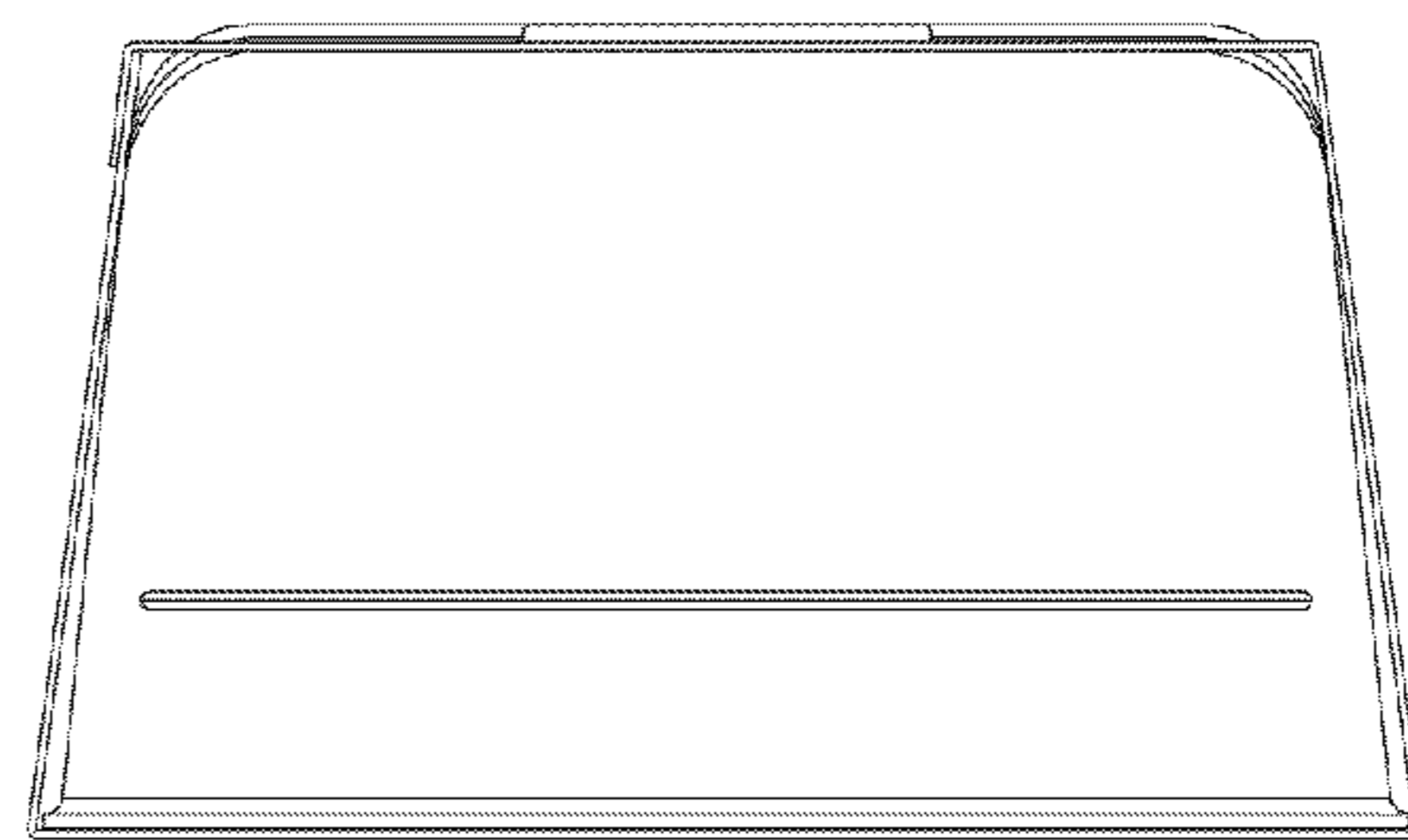


FIG. 28

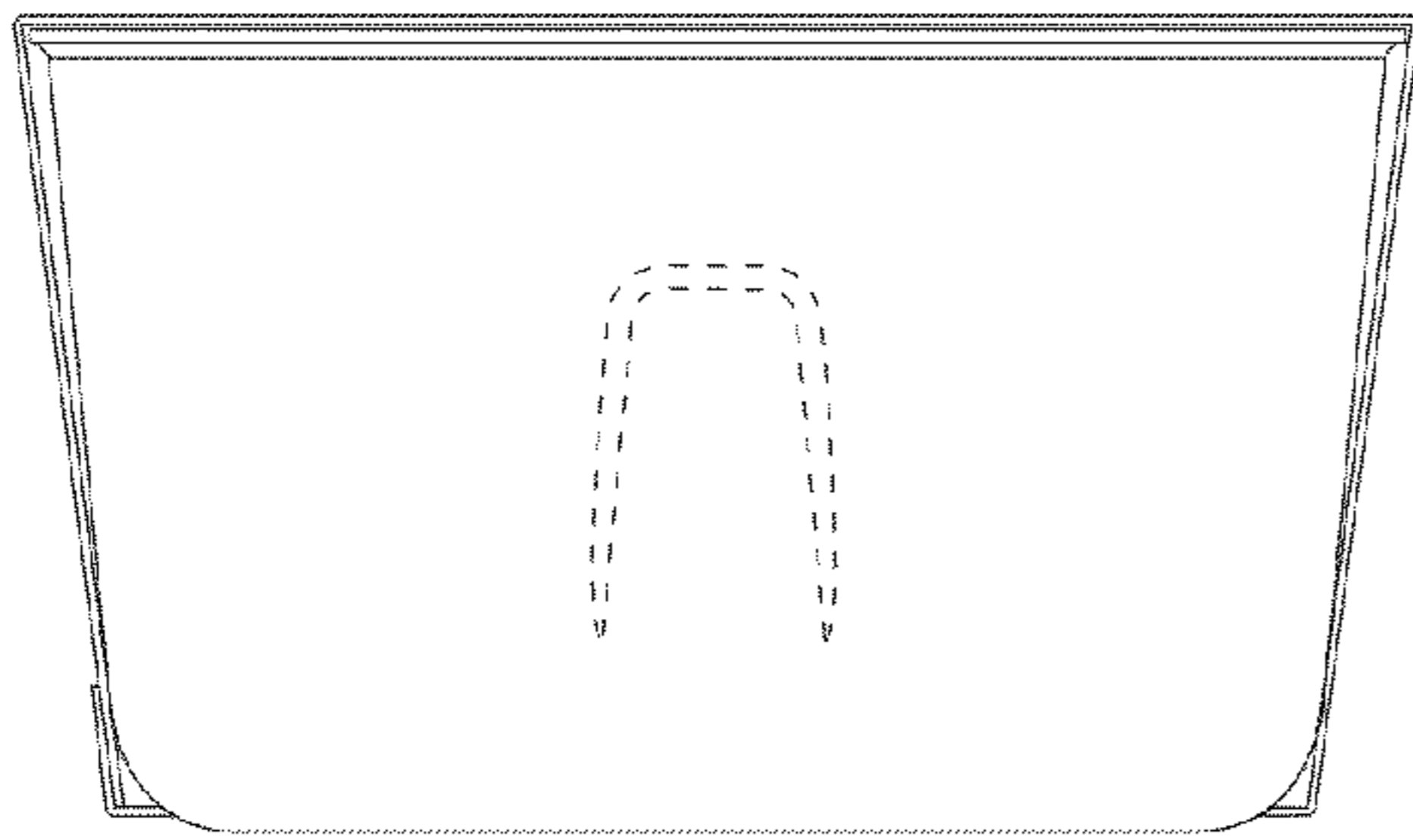


FIG. 29

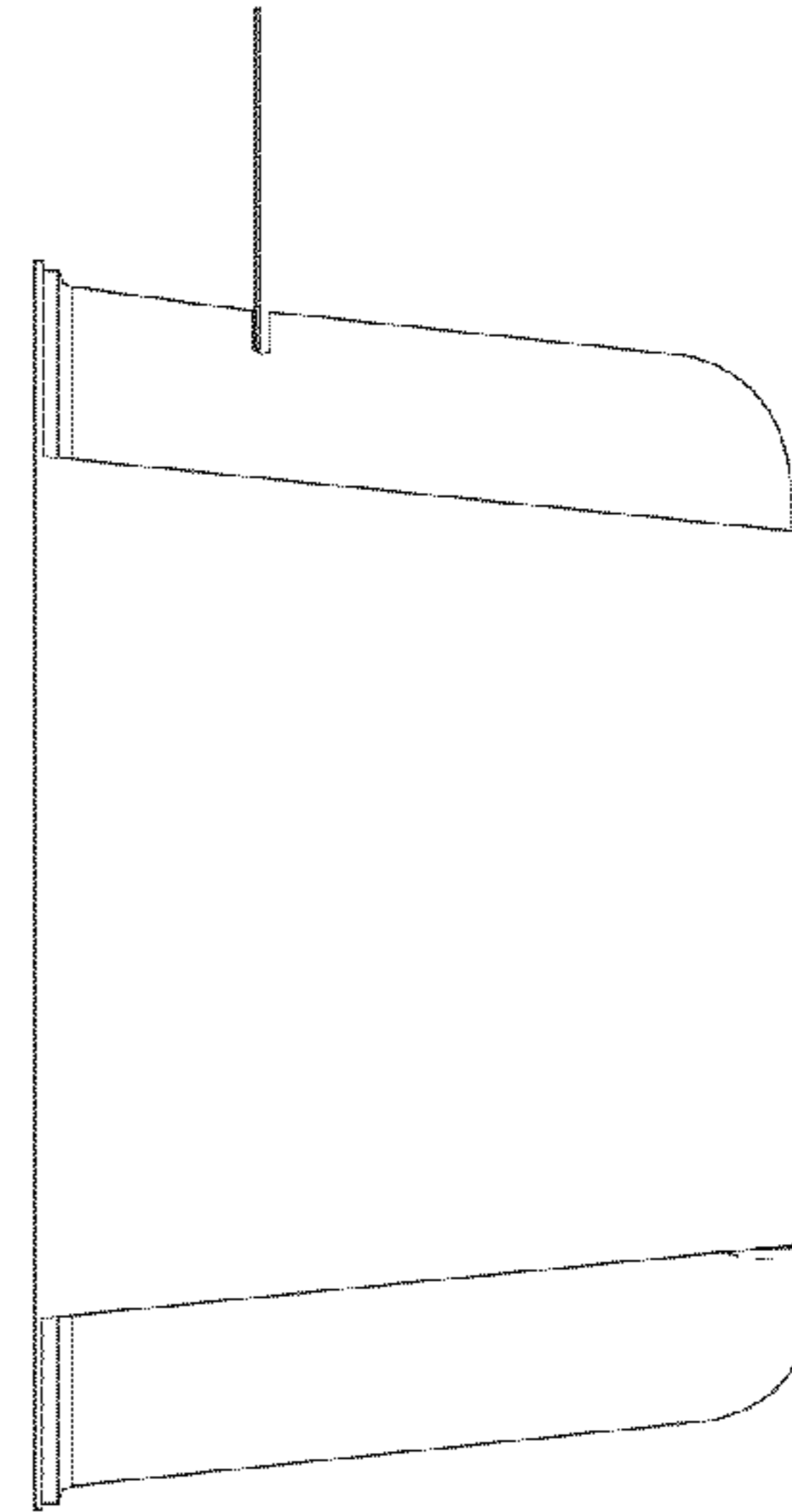


FIG. 30

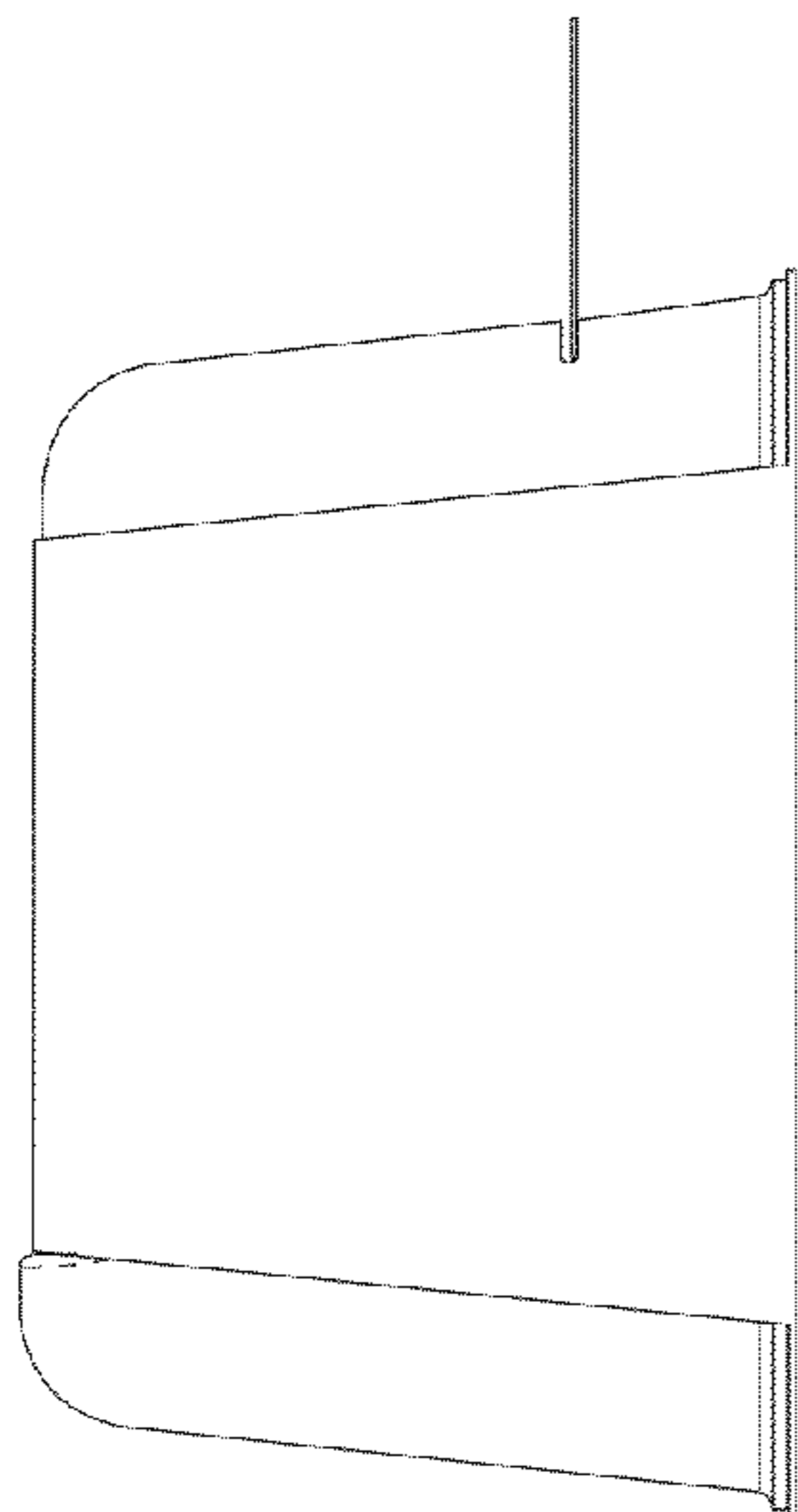


FIG. 31

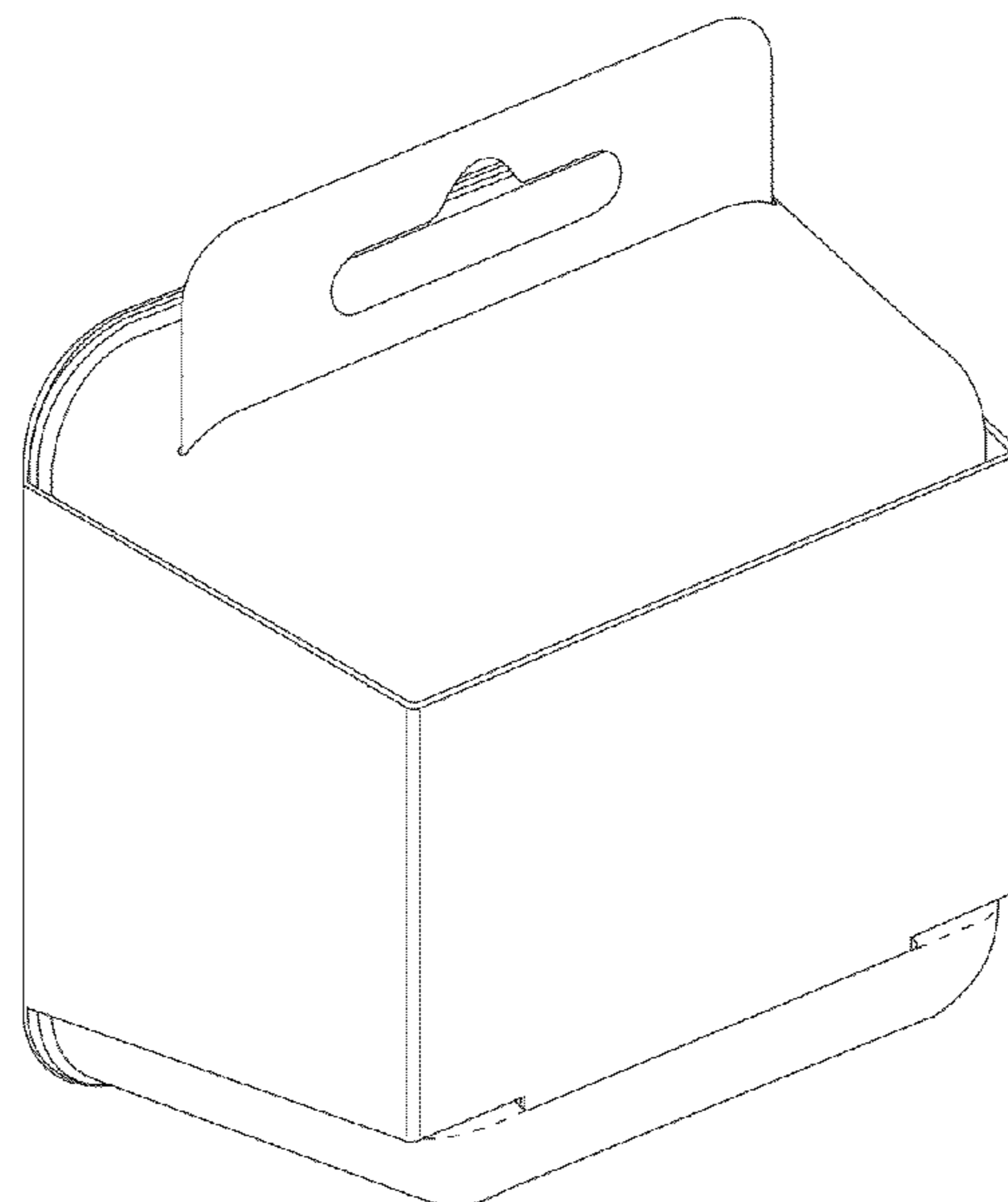


FIG. 32

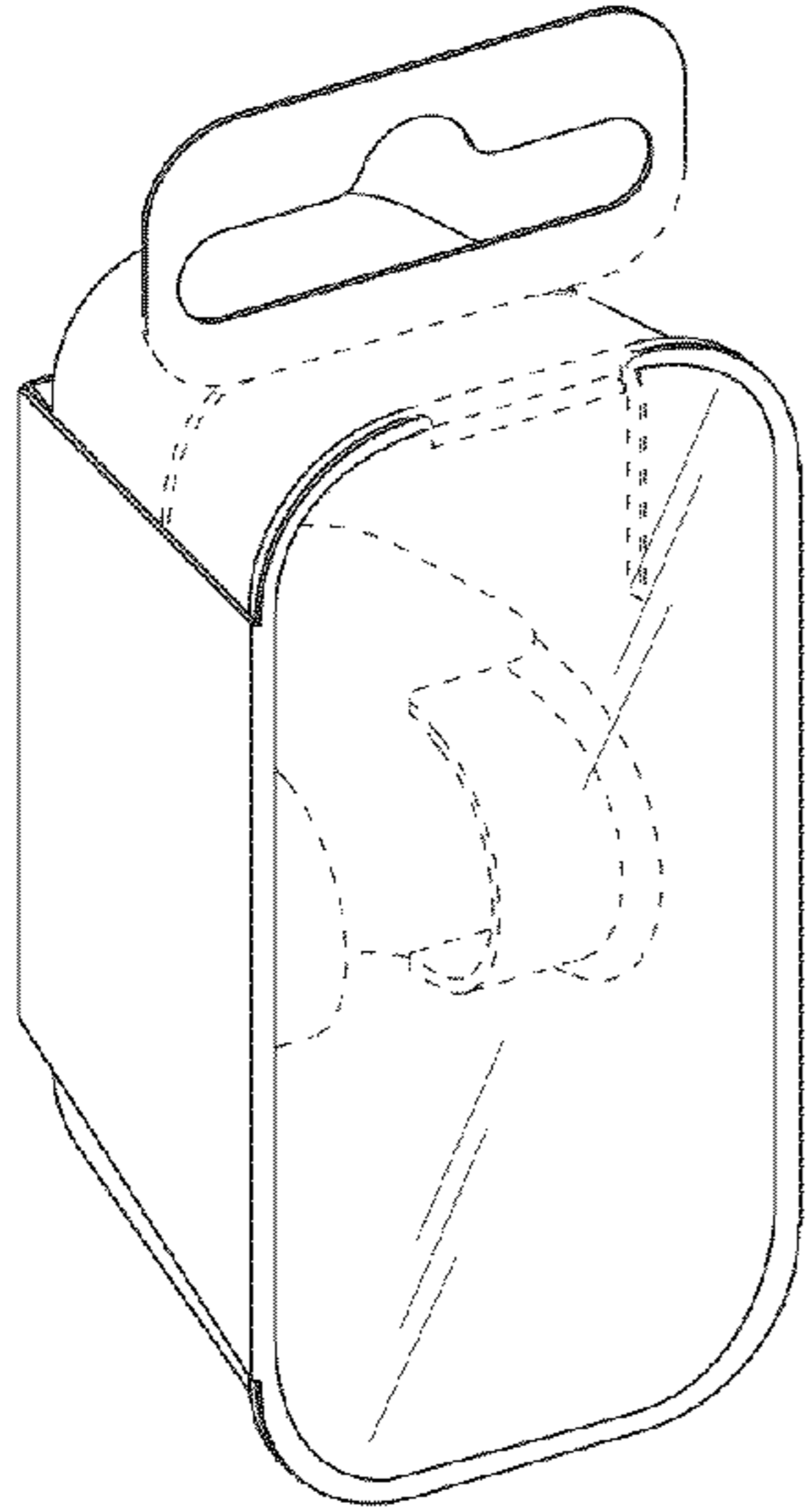


FIG. 33

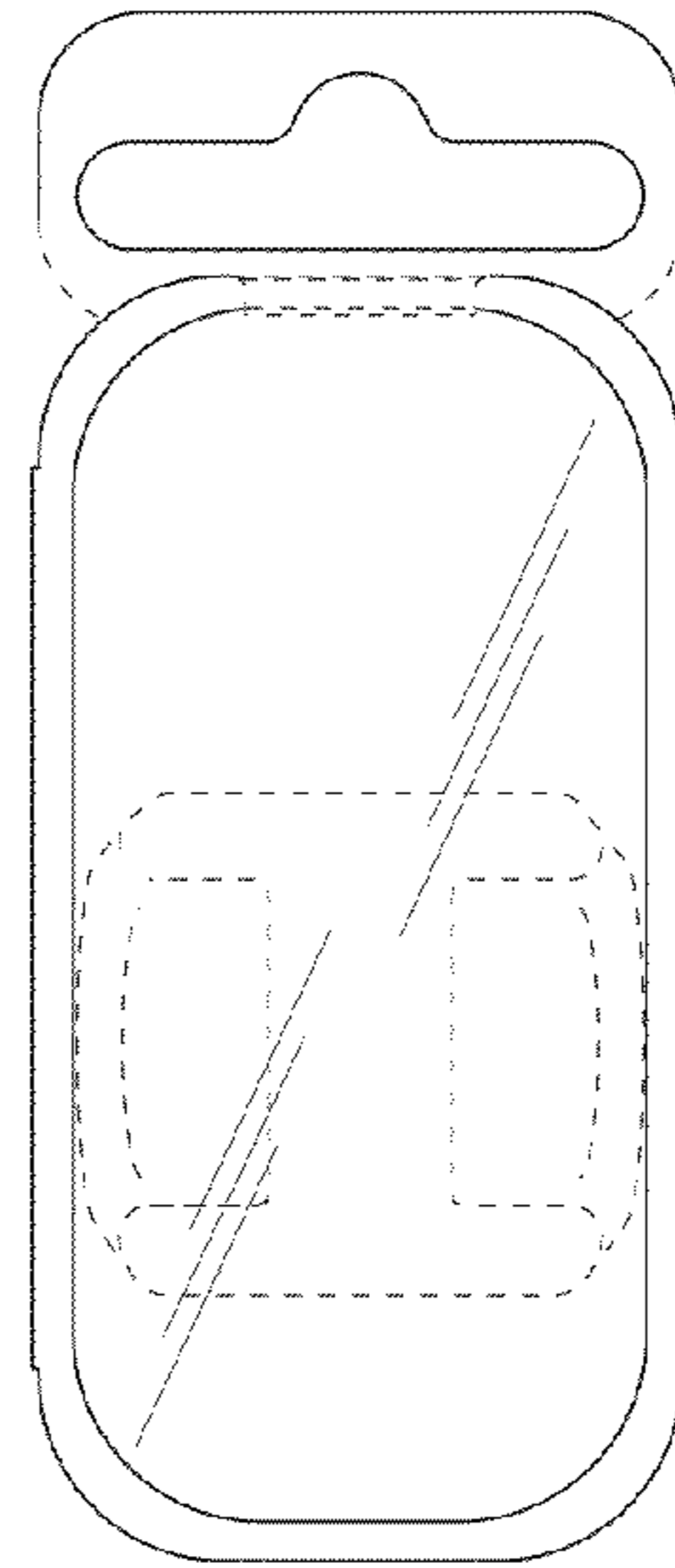


FIG. 34

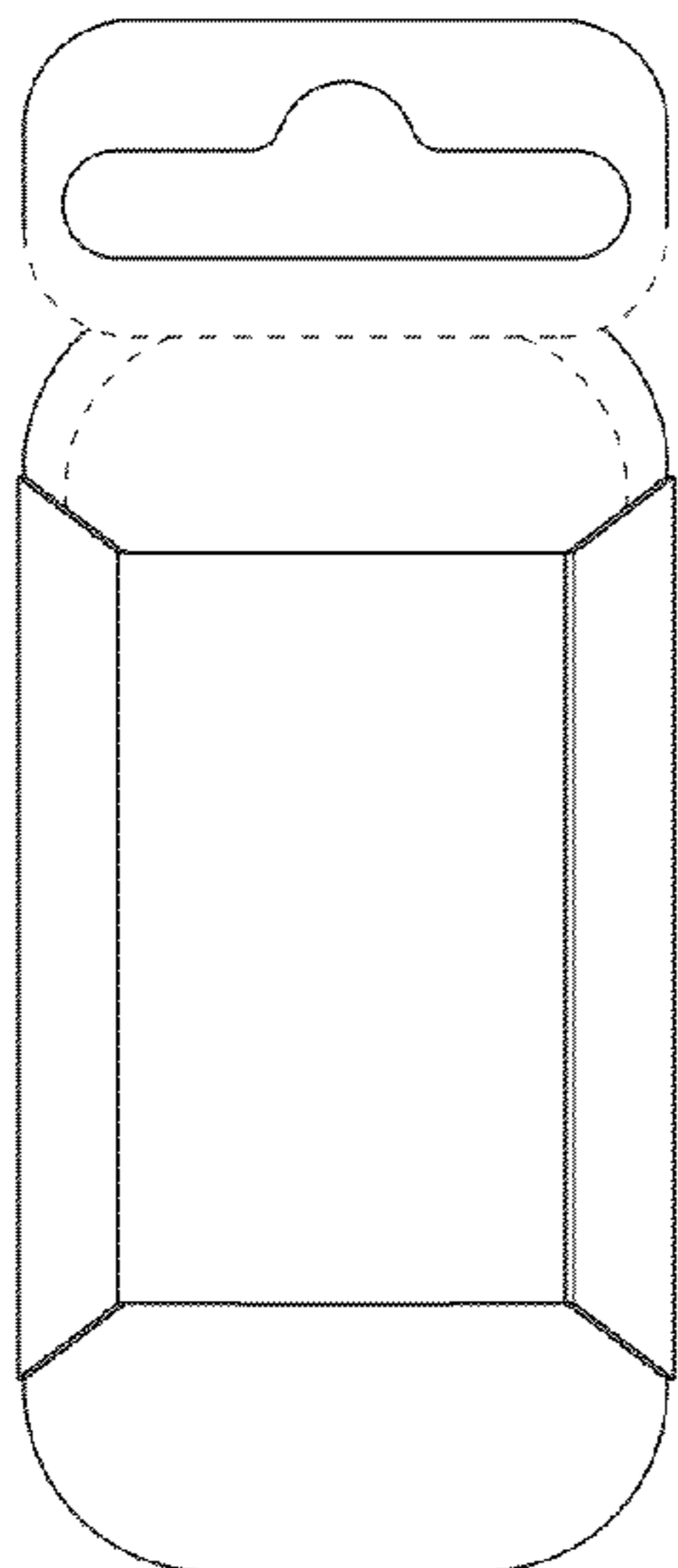


FIG. 35

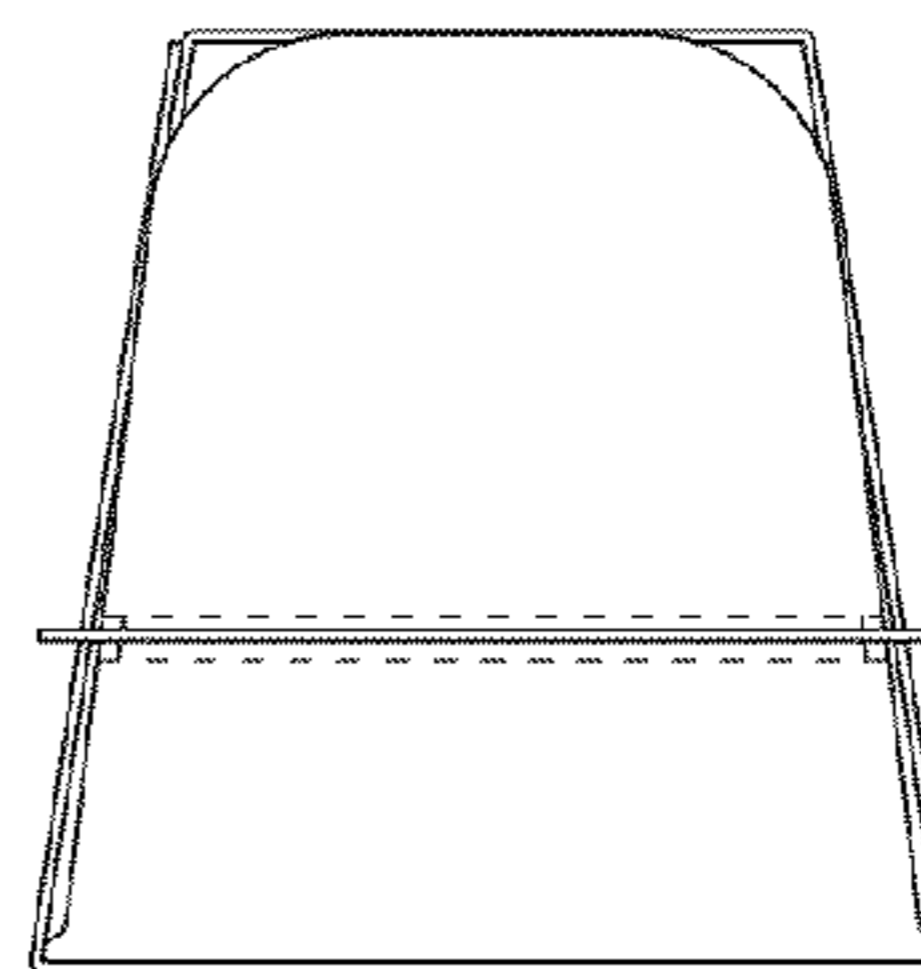


FIG. 36

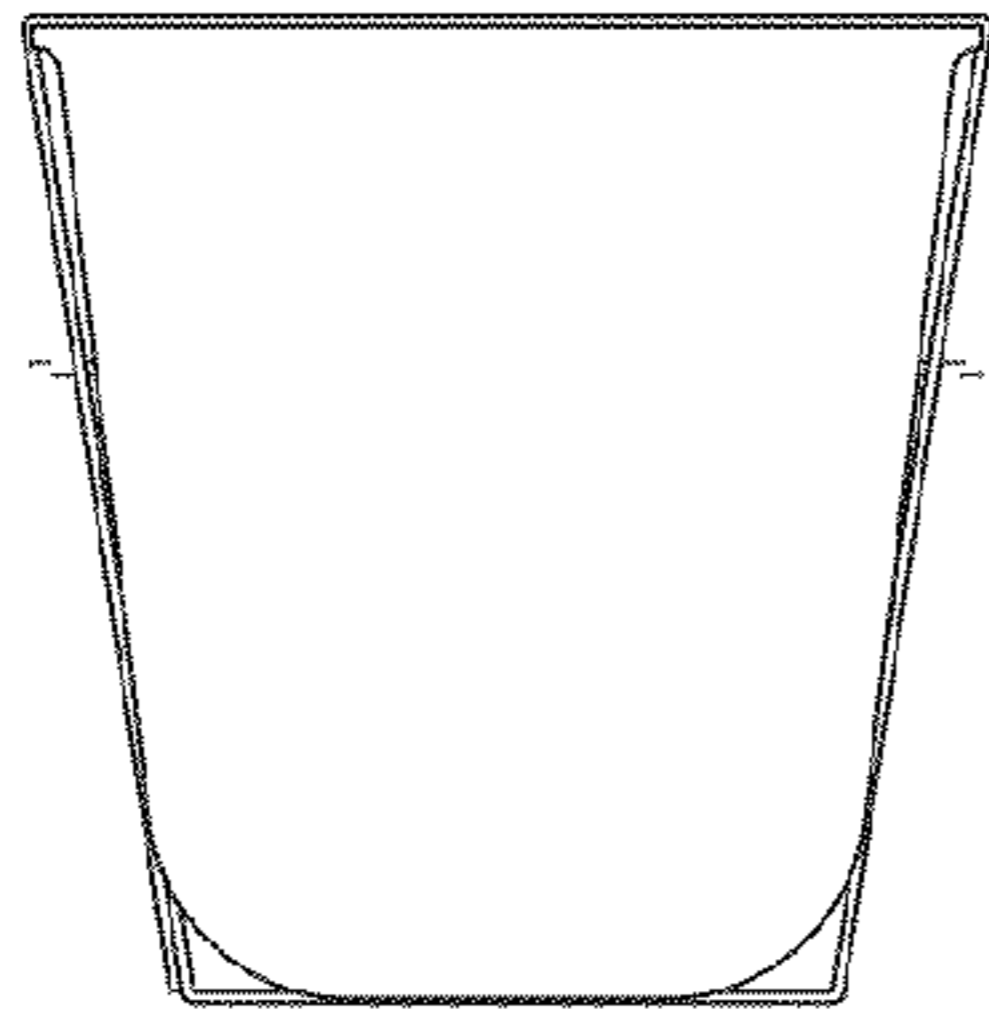


FIG. 37

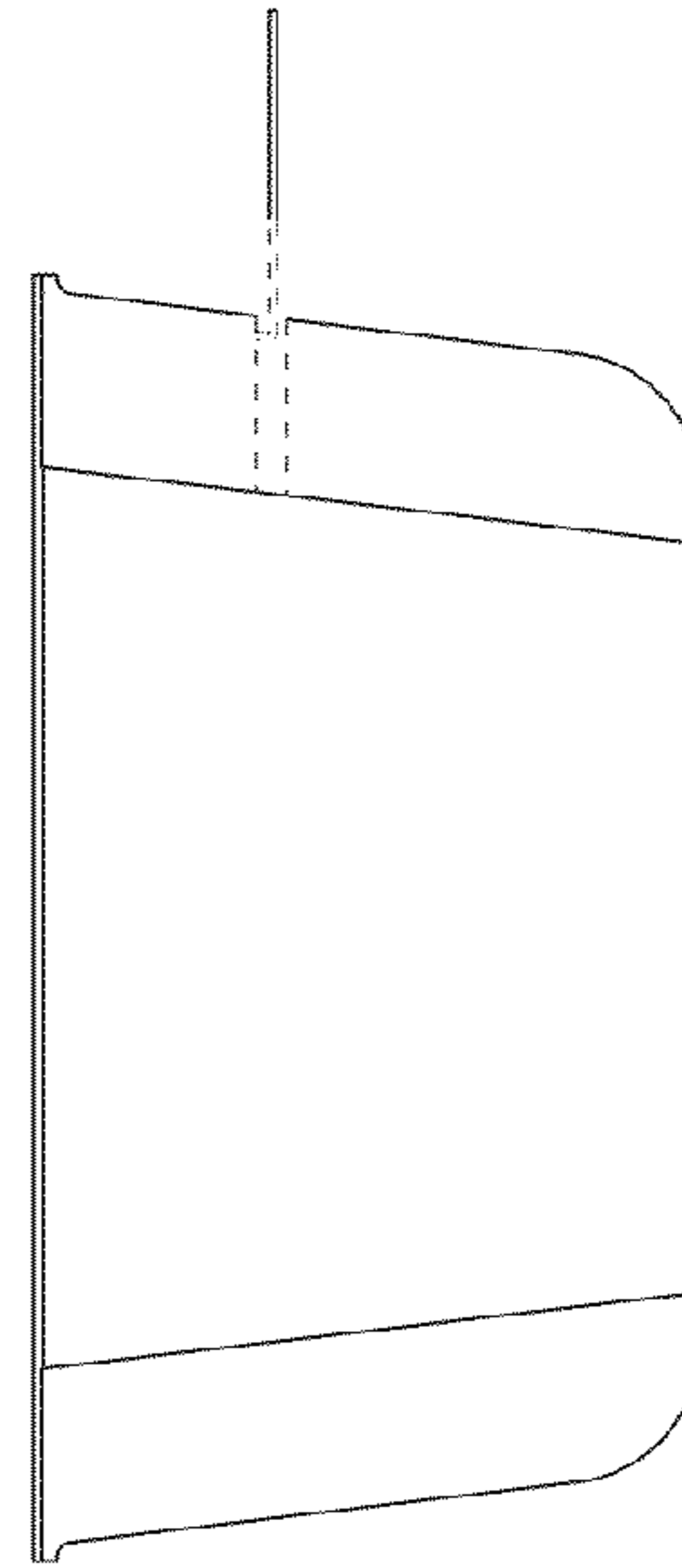


FIG. 38

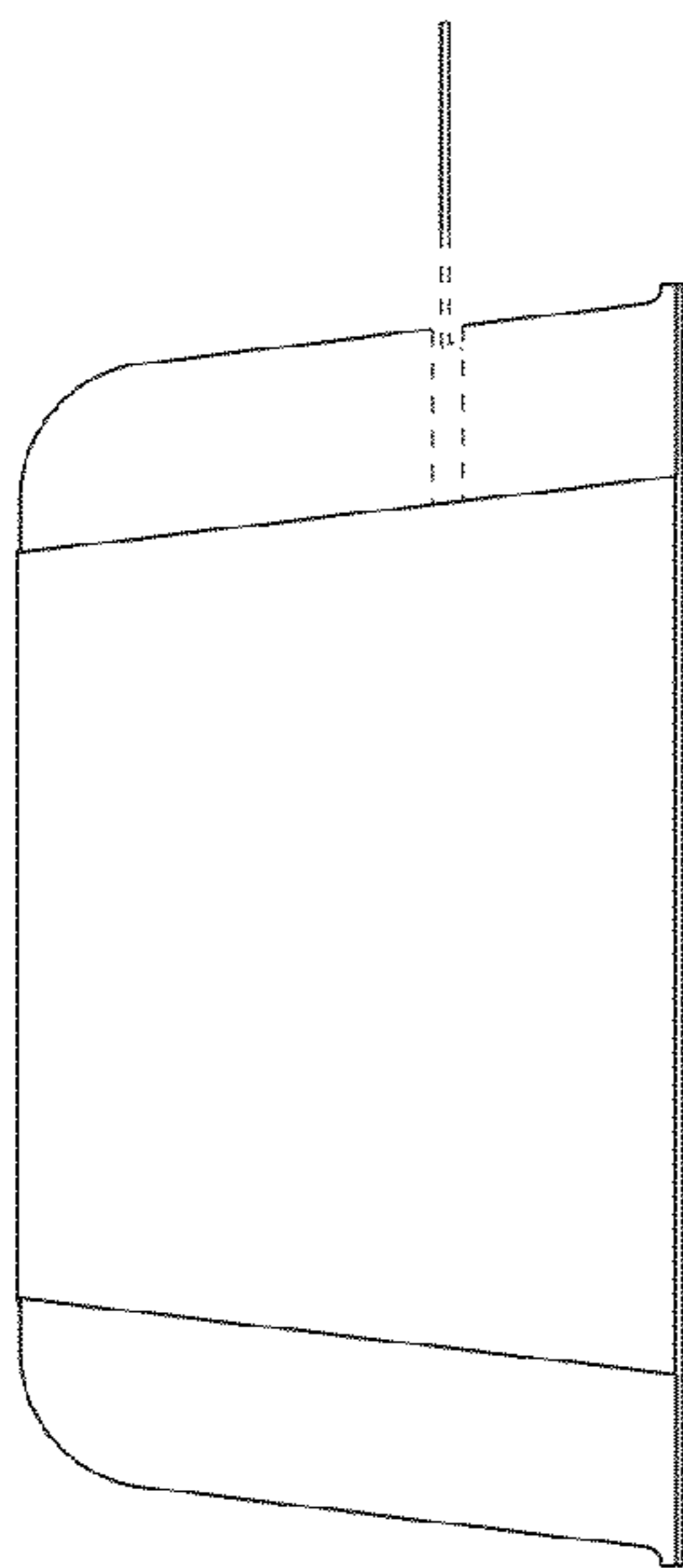


FIG. 39

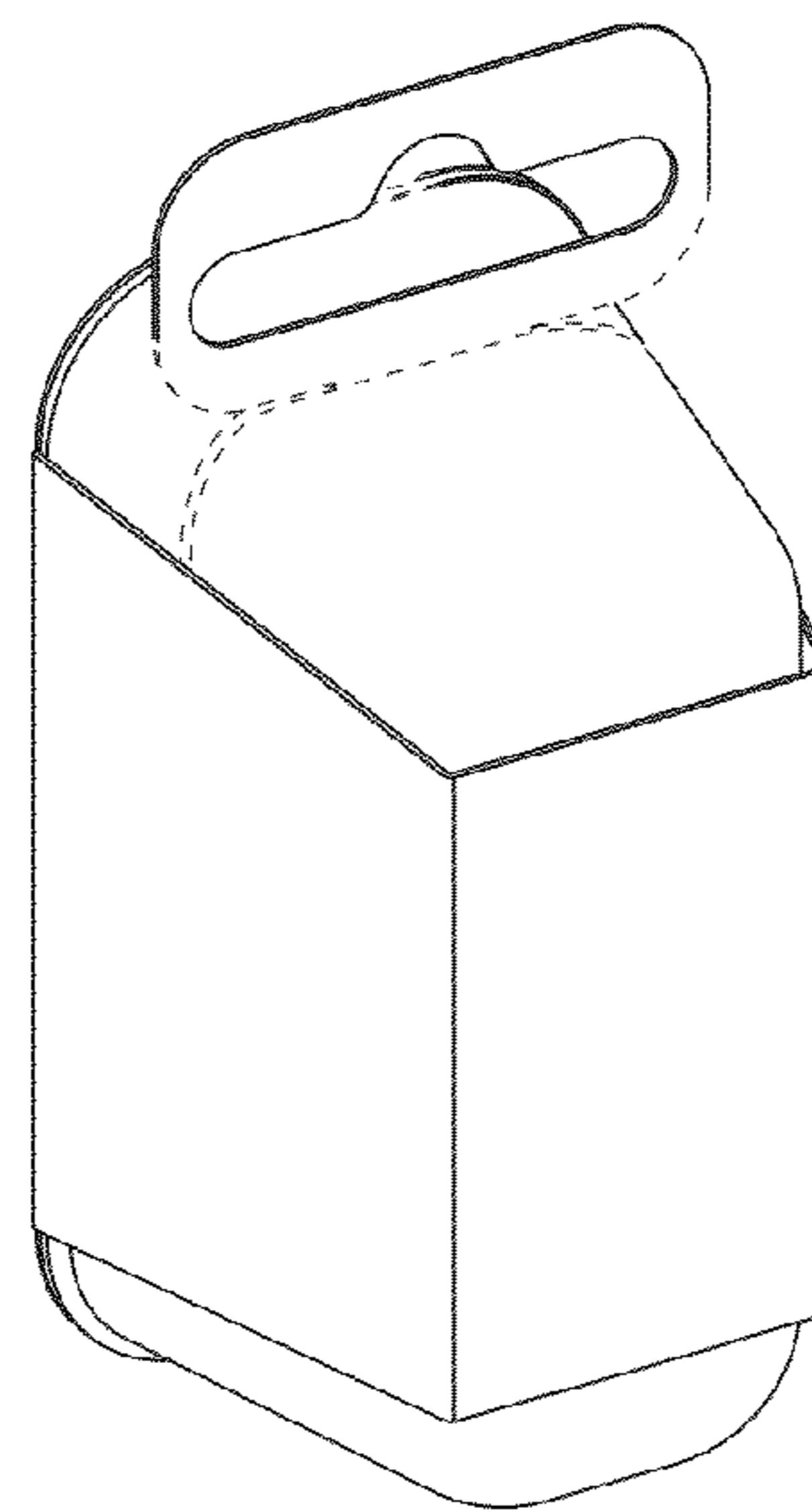


FIG. 40

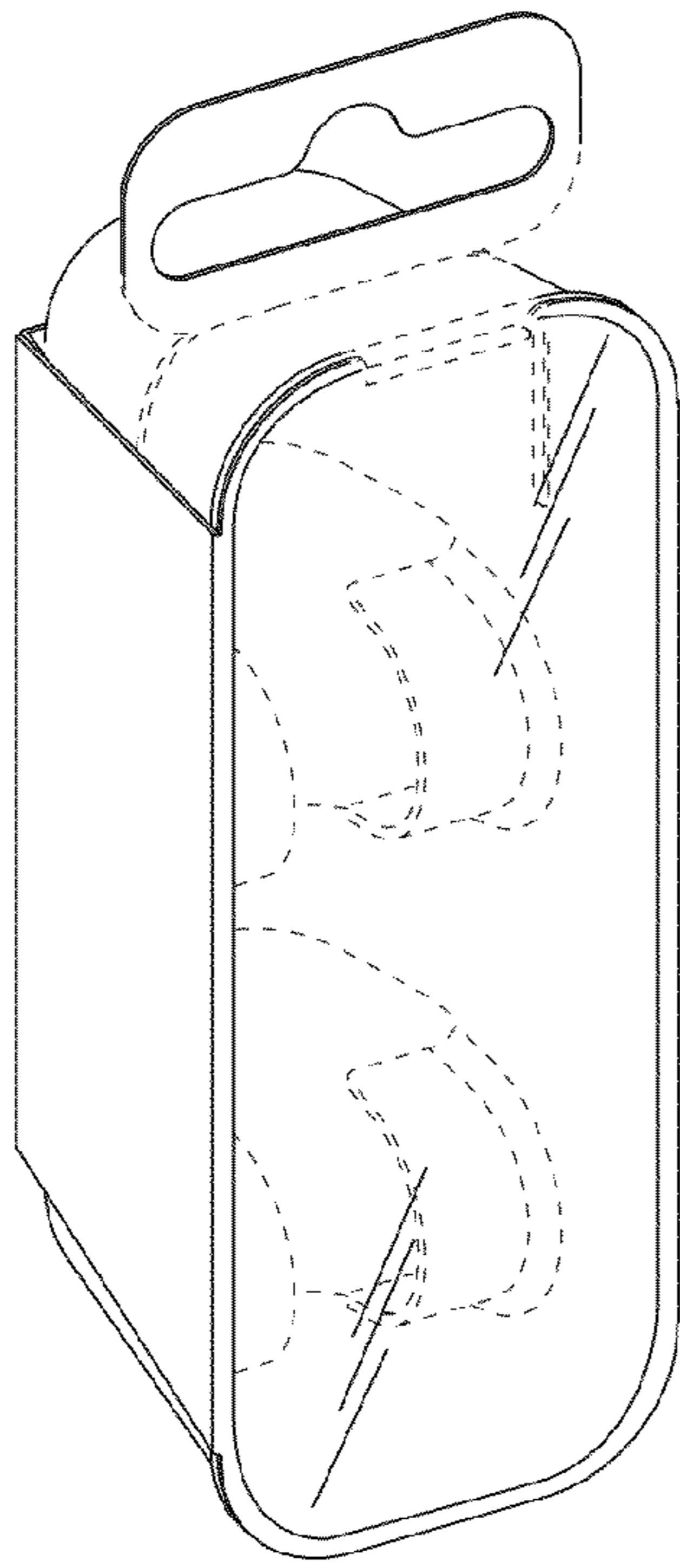


FIG. 41

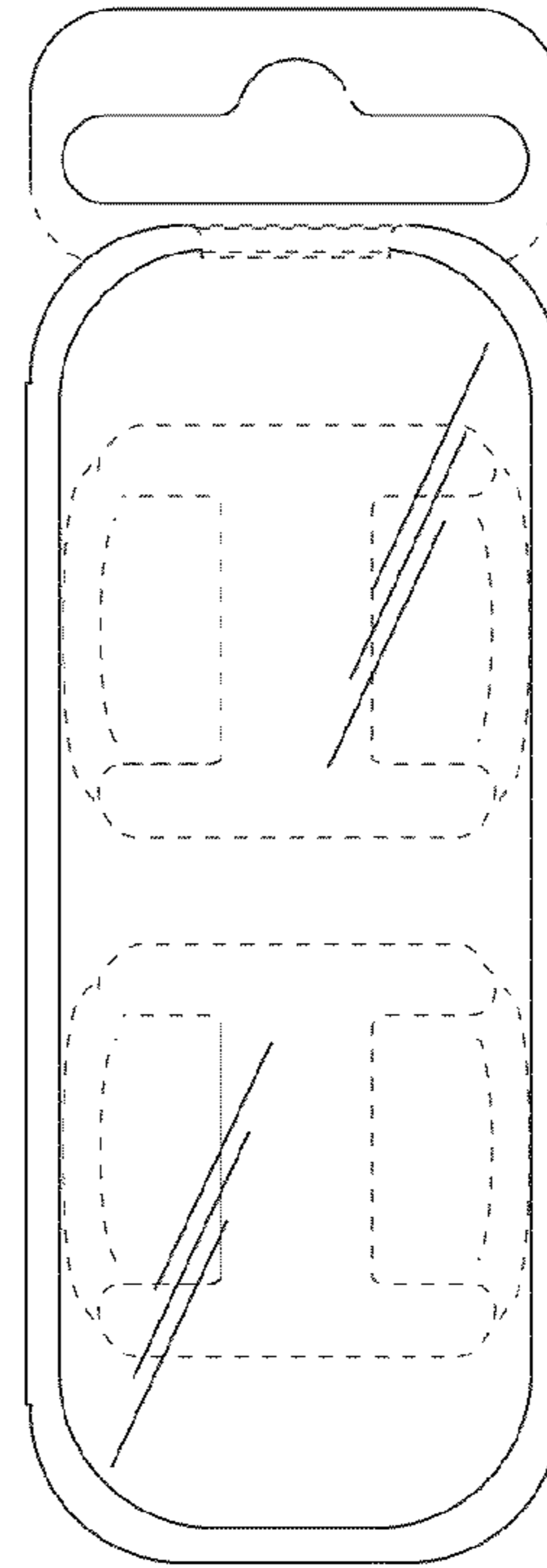


FIG. 42

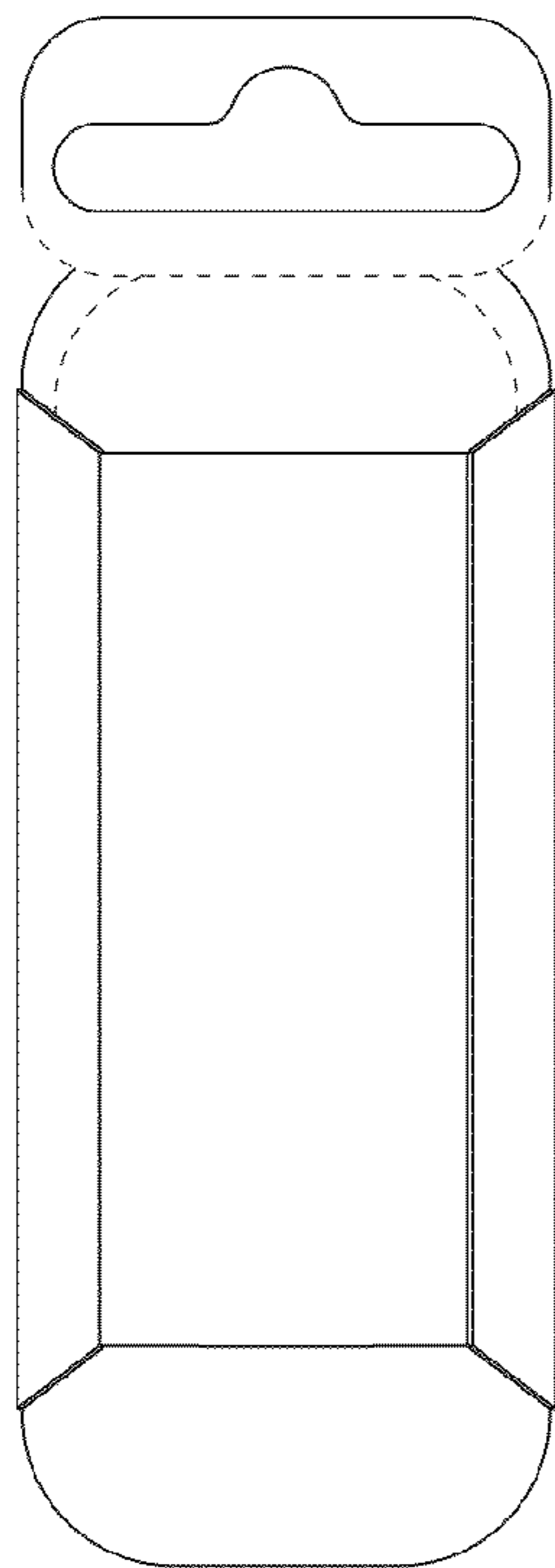


FIG. 43

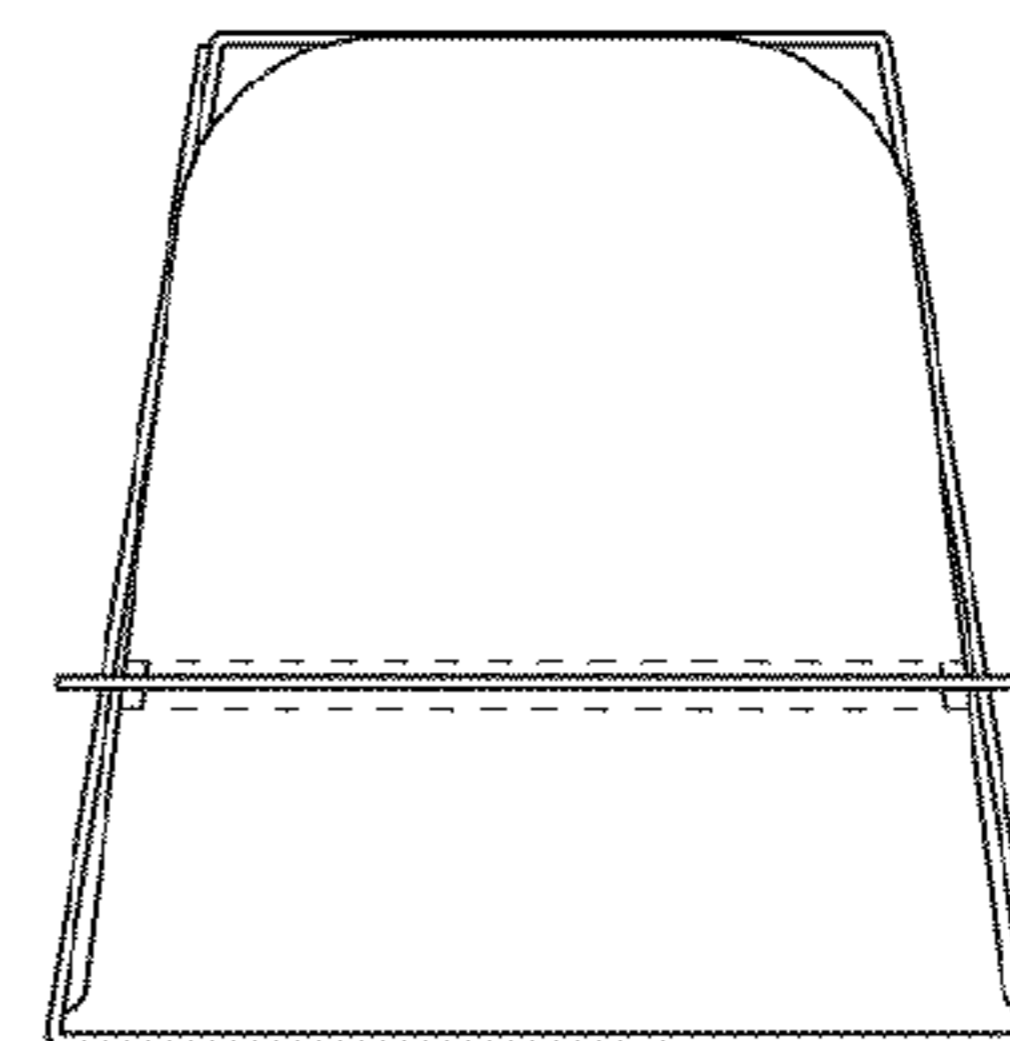


FIG. 44

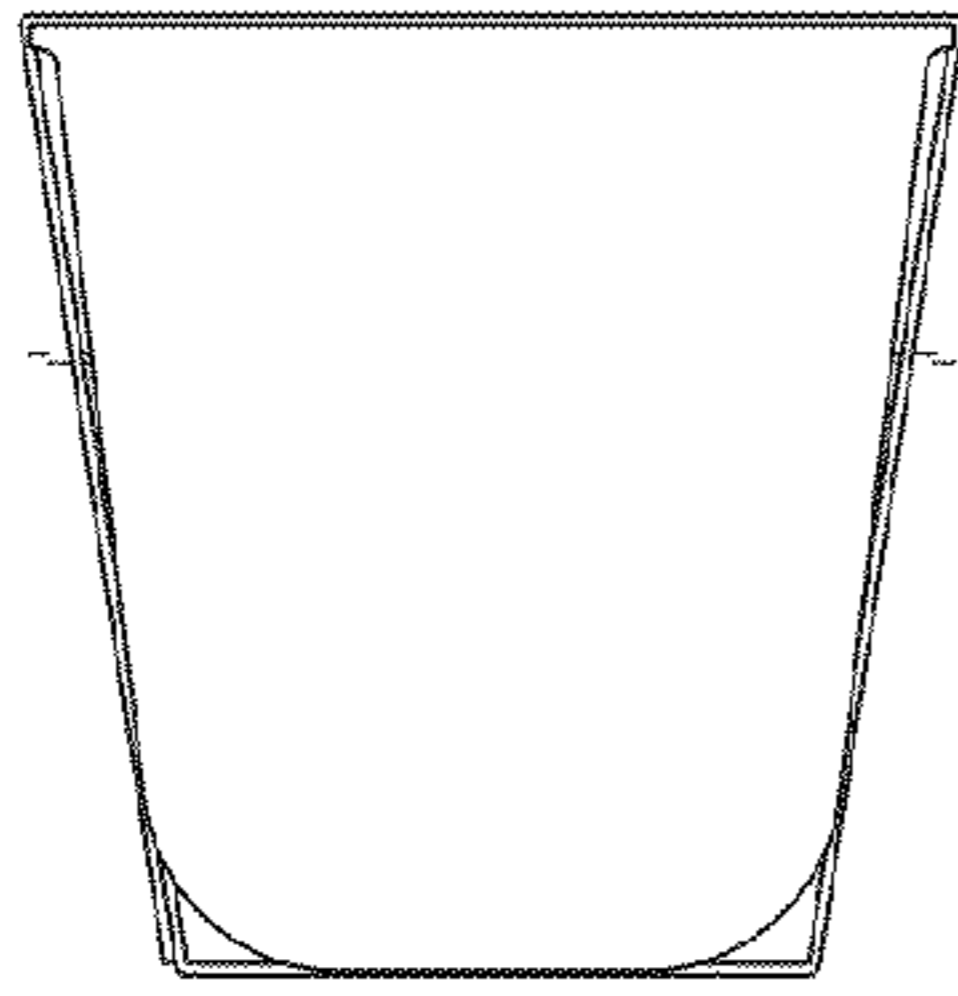


FIG. 45

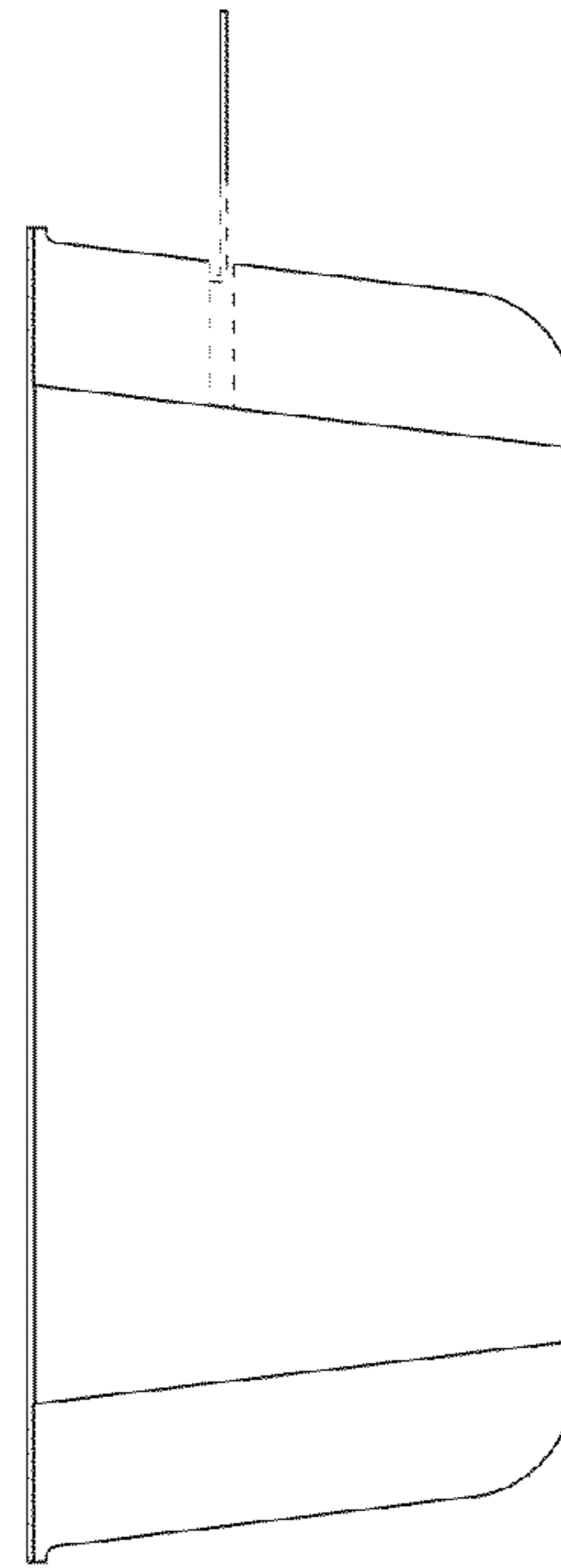


FIG. 46

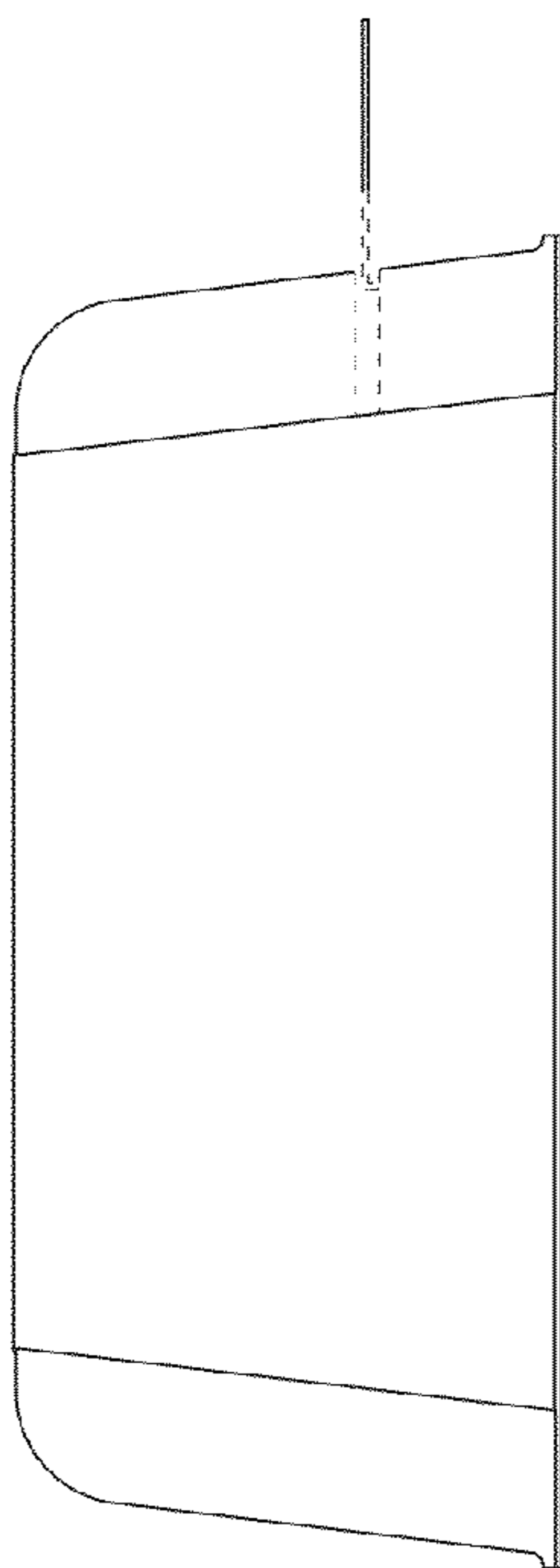


FIG. 47

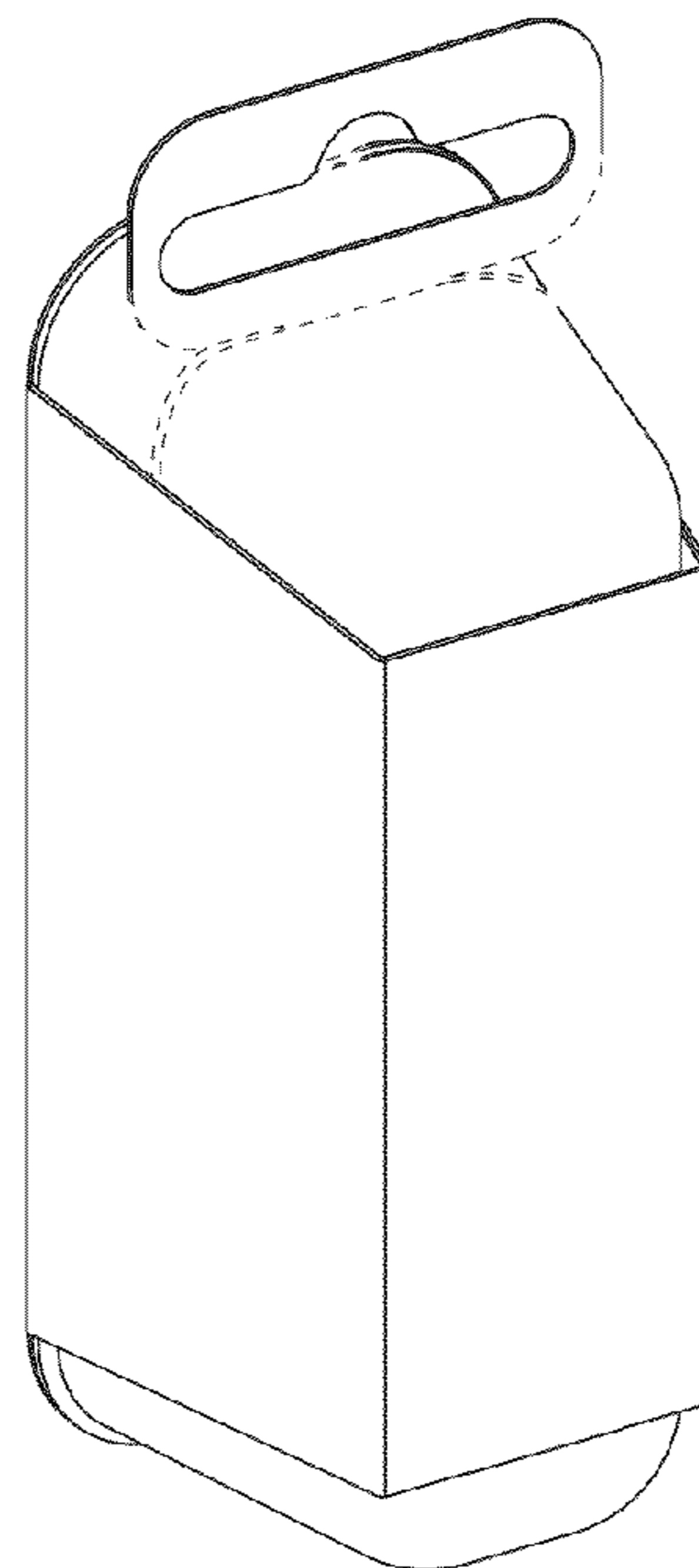


FIG. 48

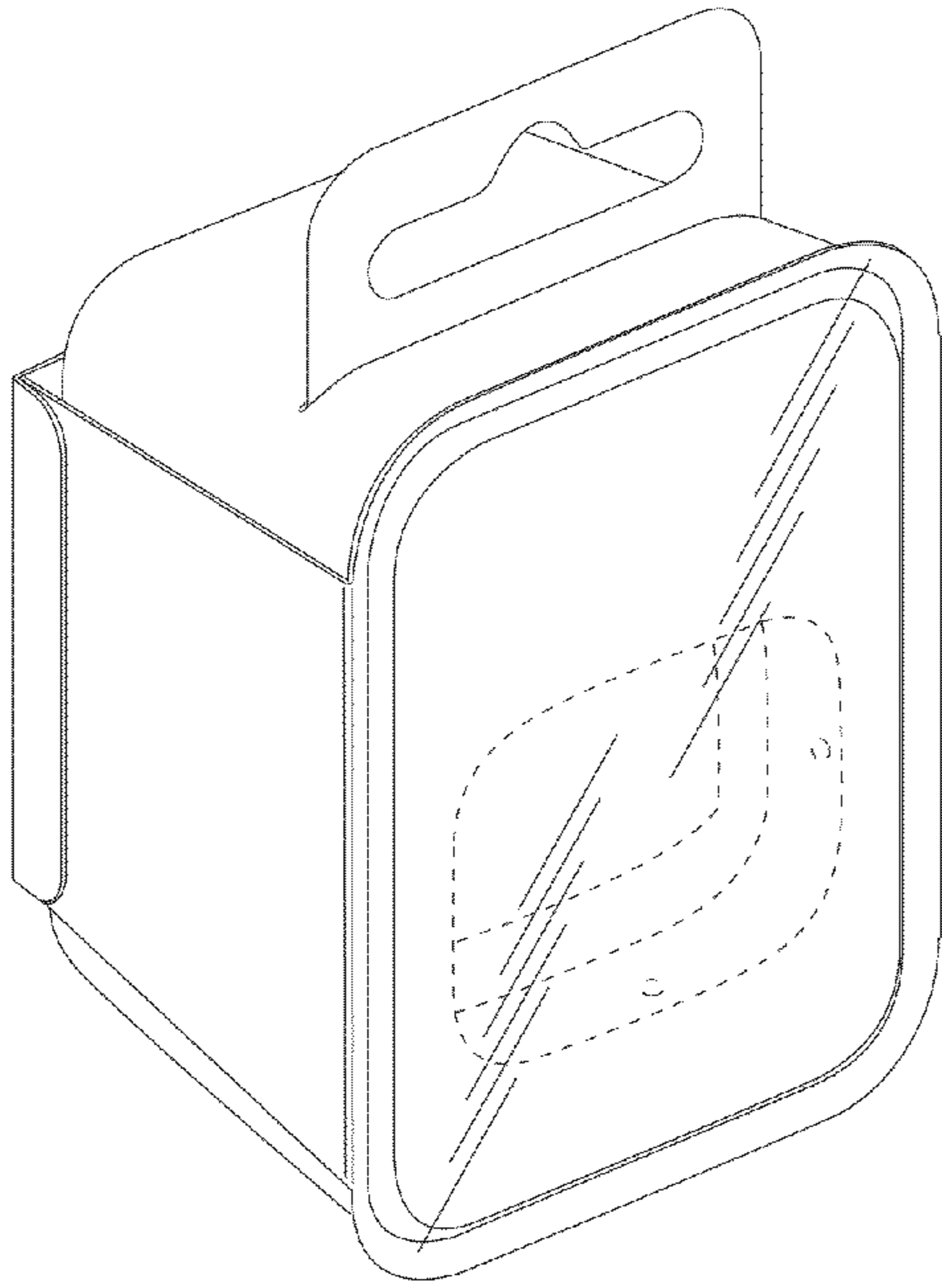


FIG. 49

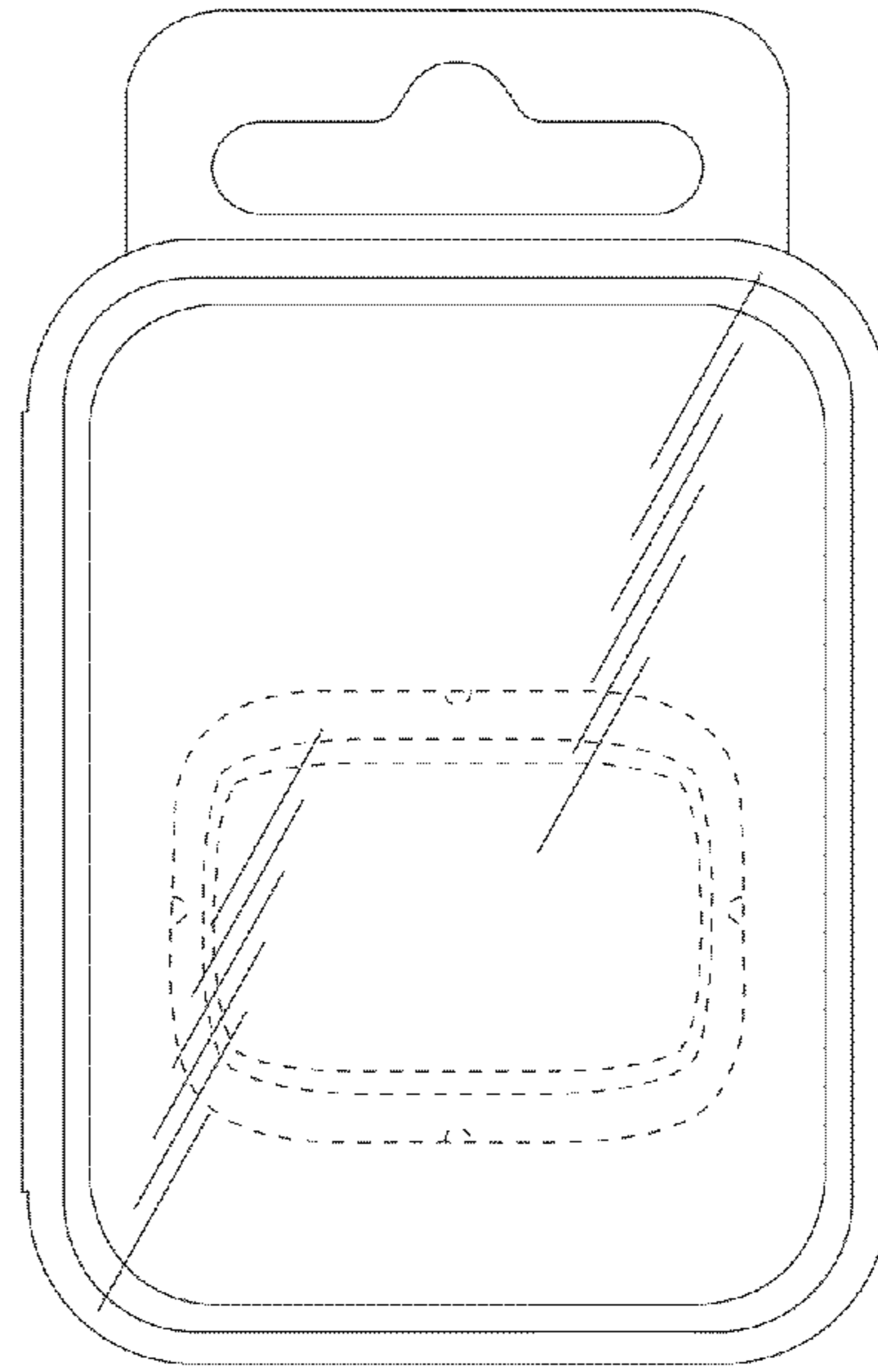


FIG. 50

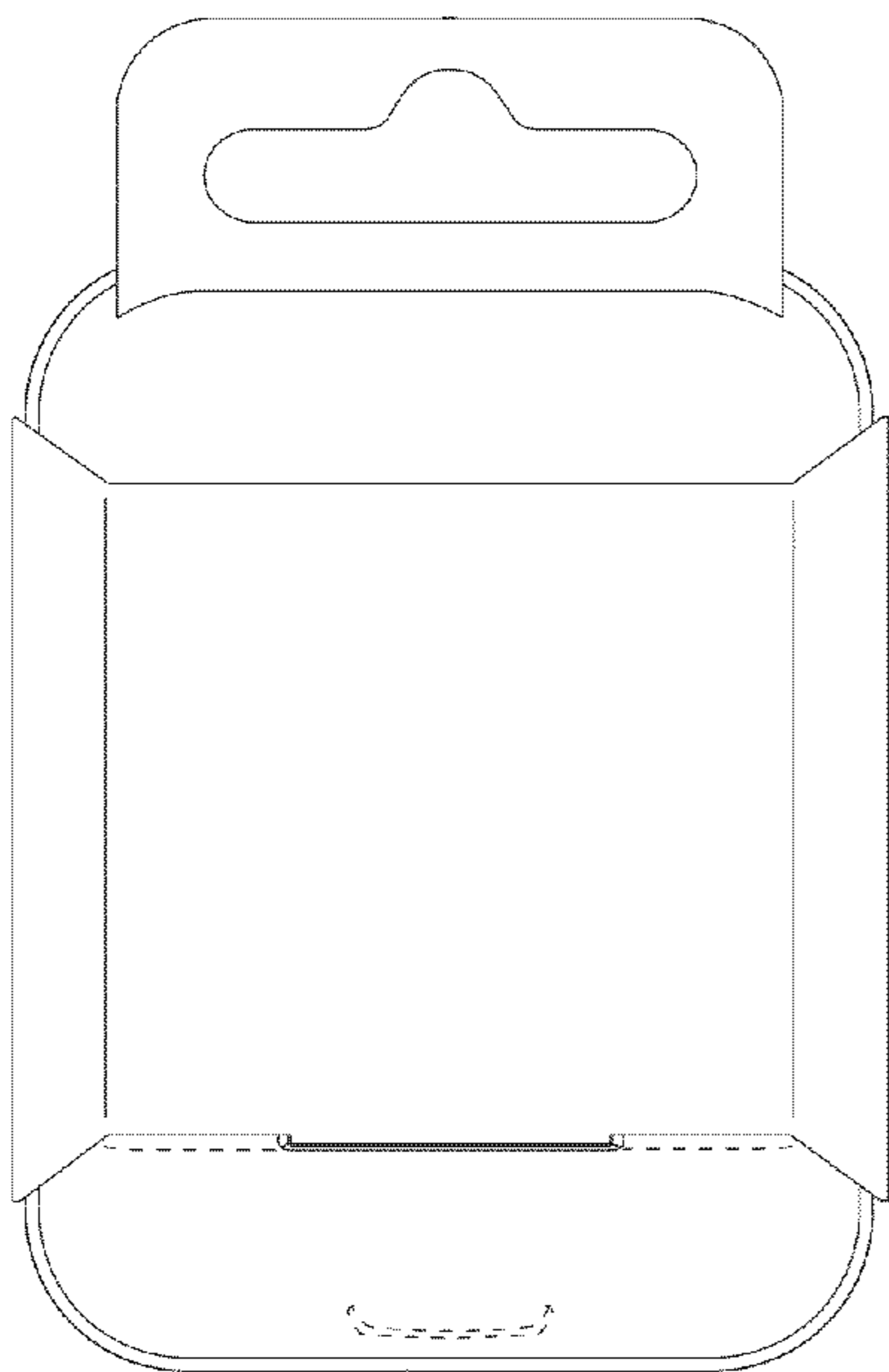


FIG. 51

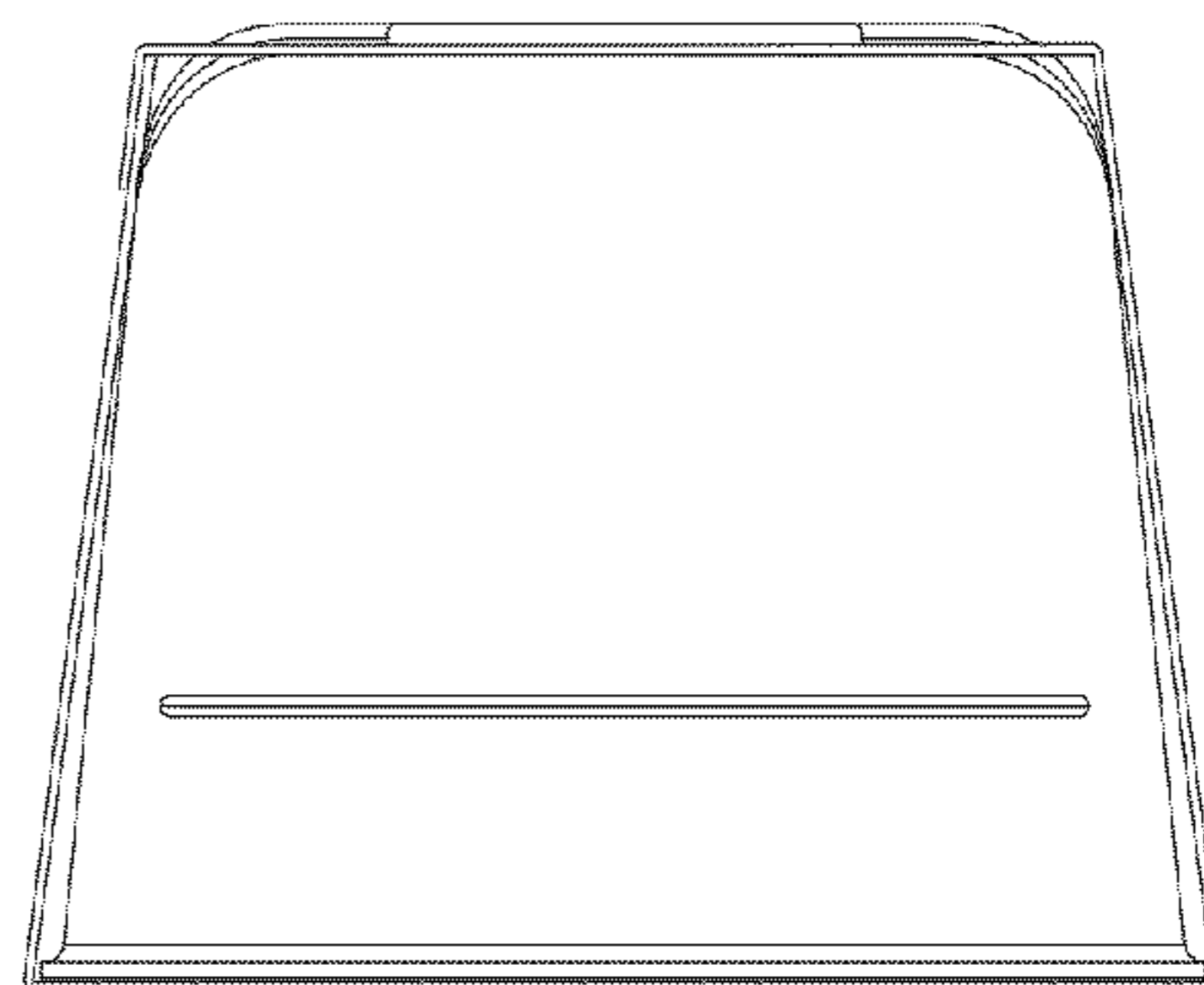


FIG. 52

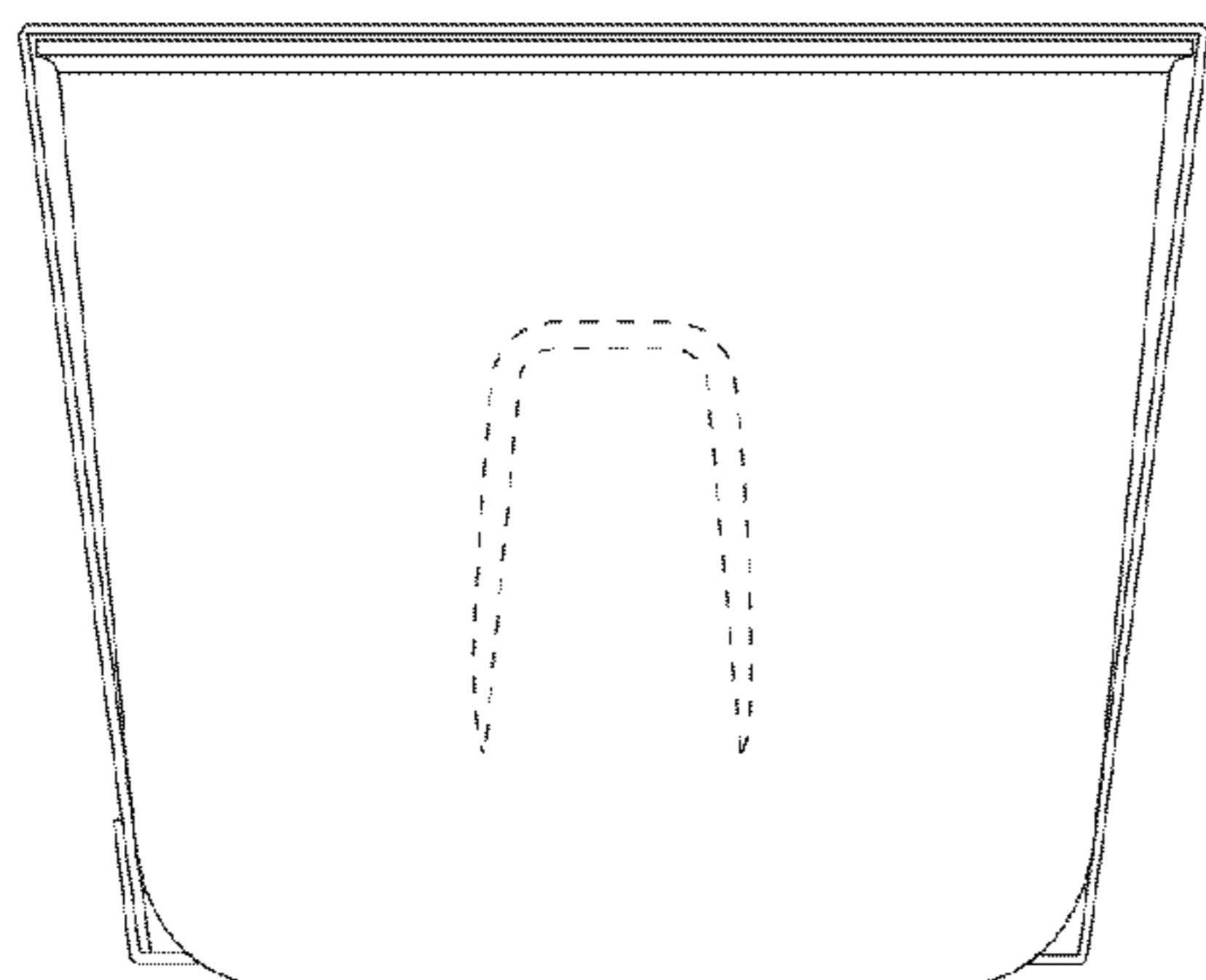


FIG. 53

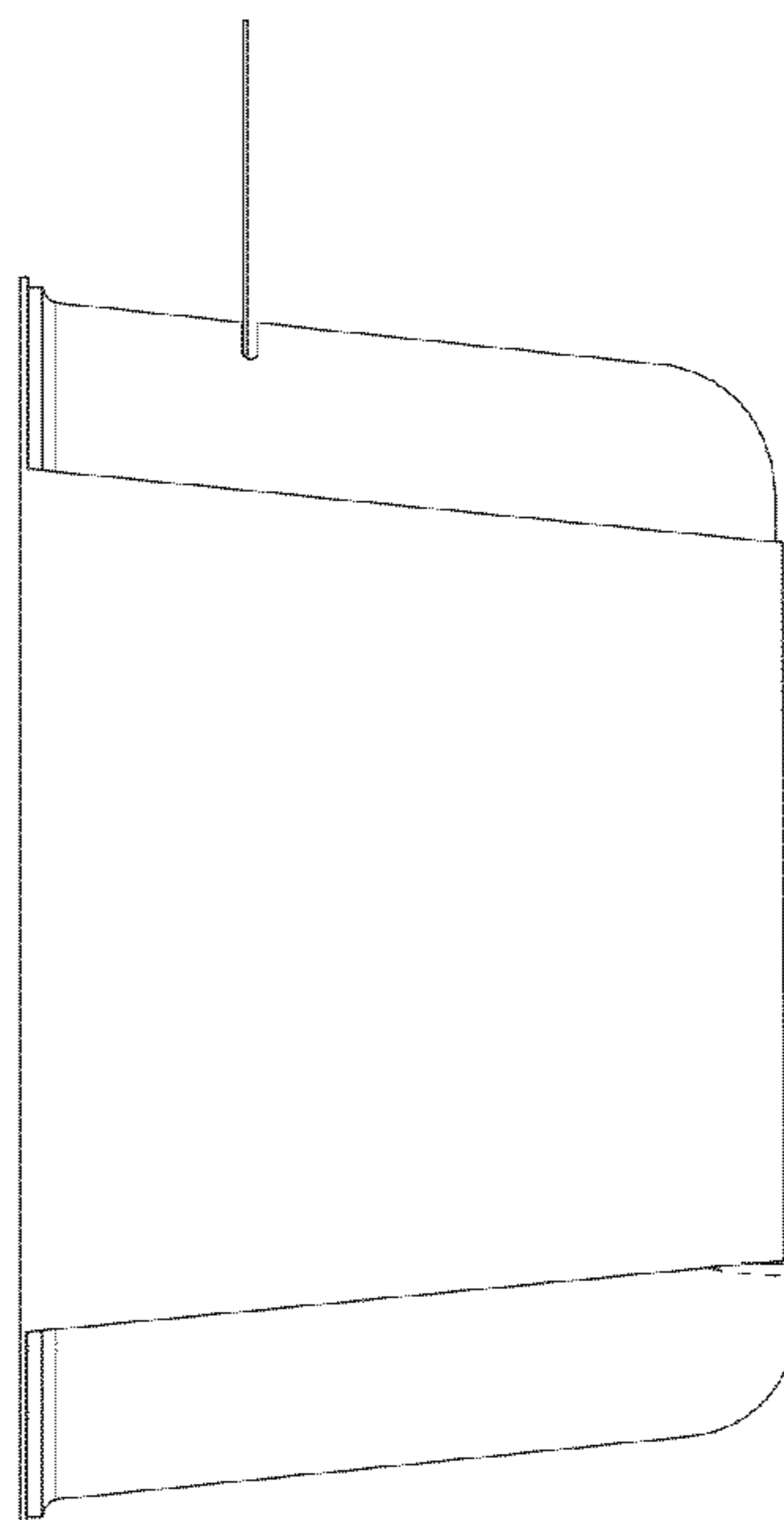


FIG. 54

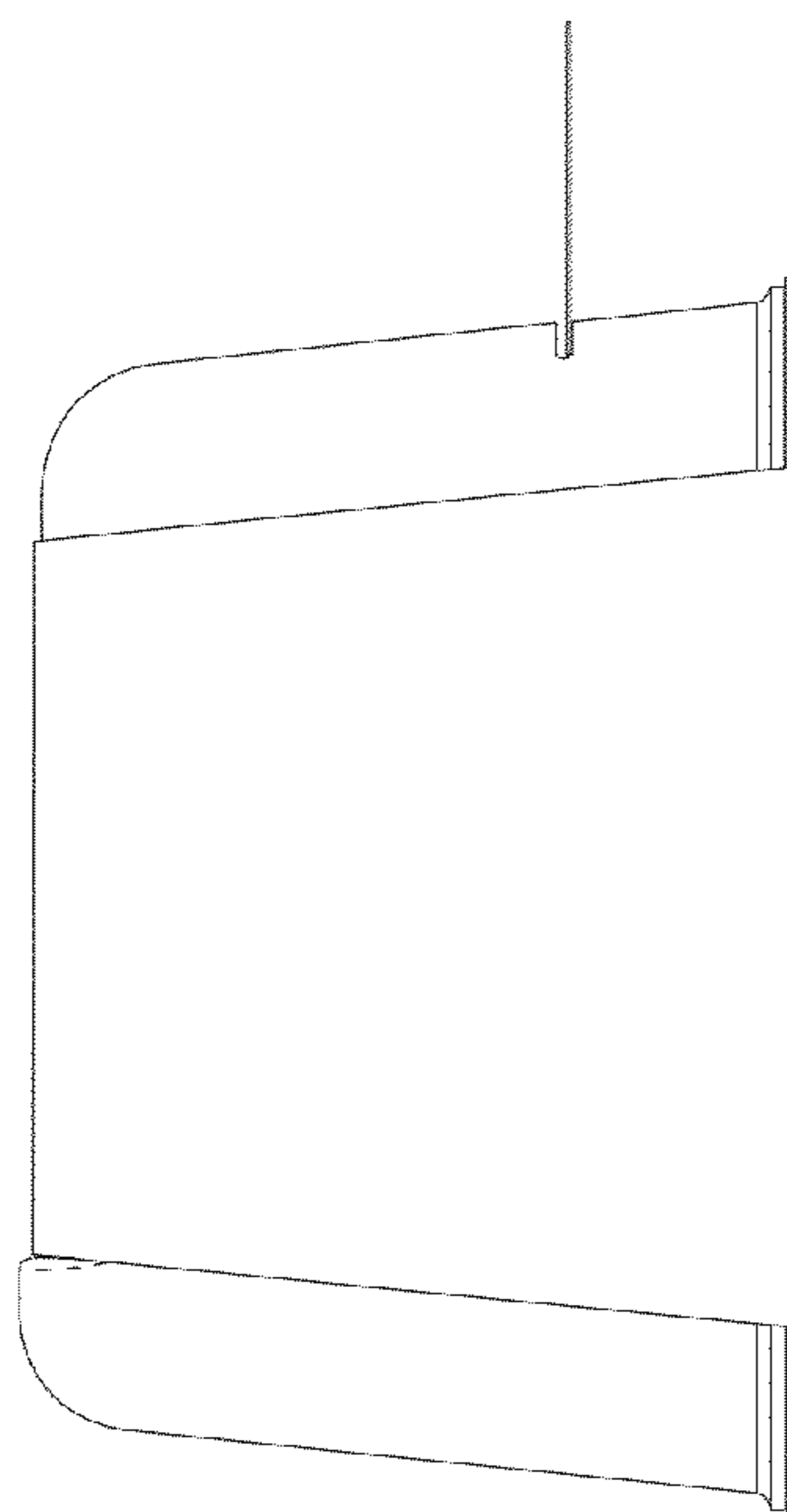


FIG. 55

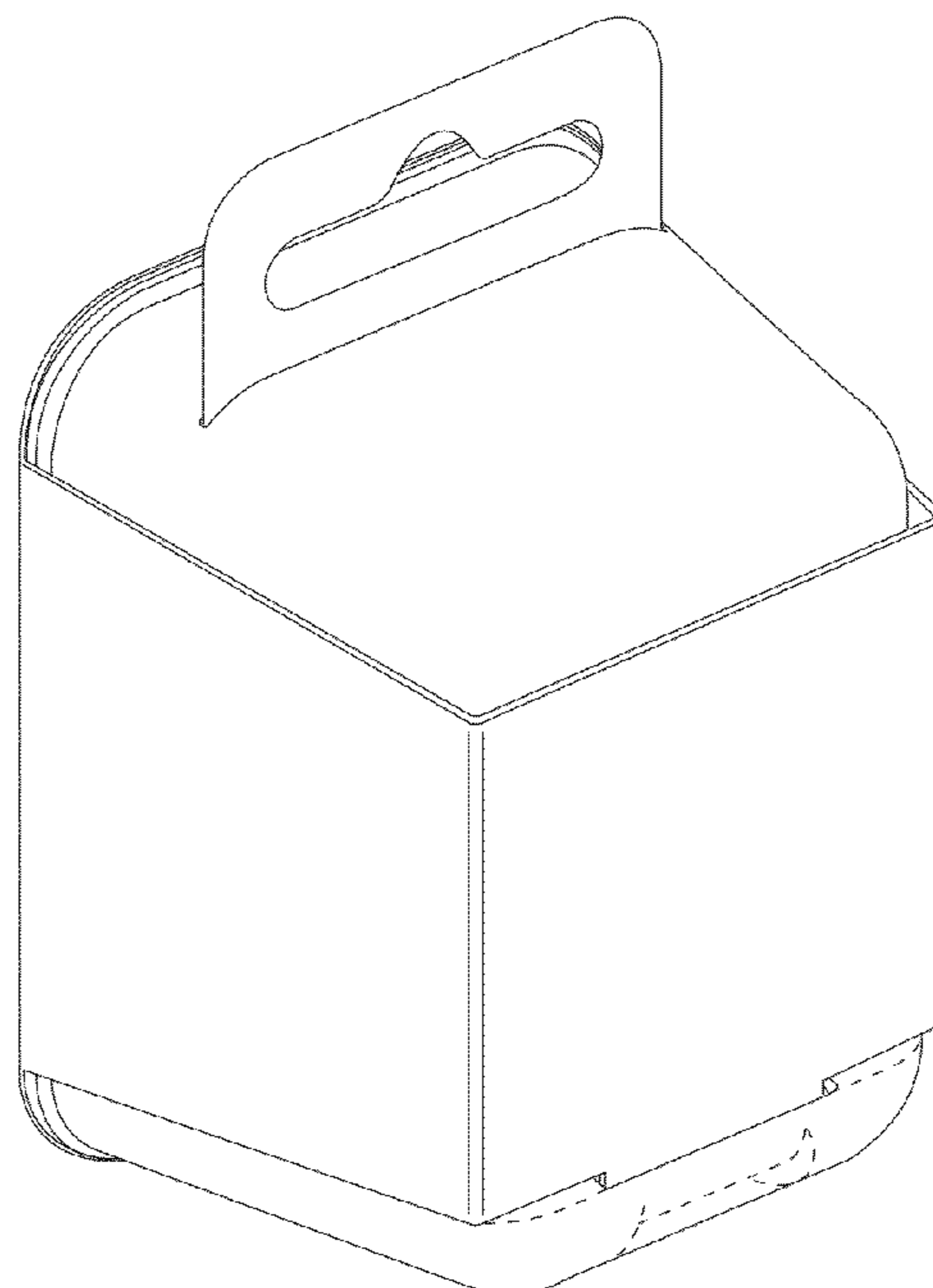


FIG. 56

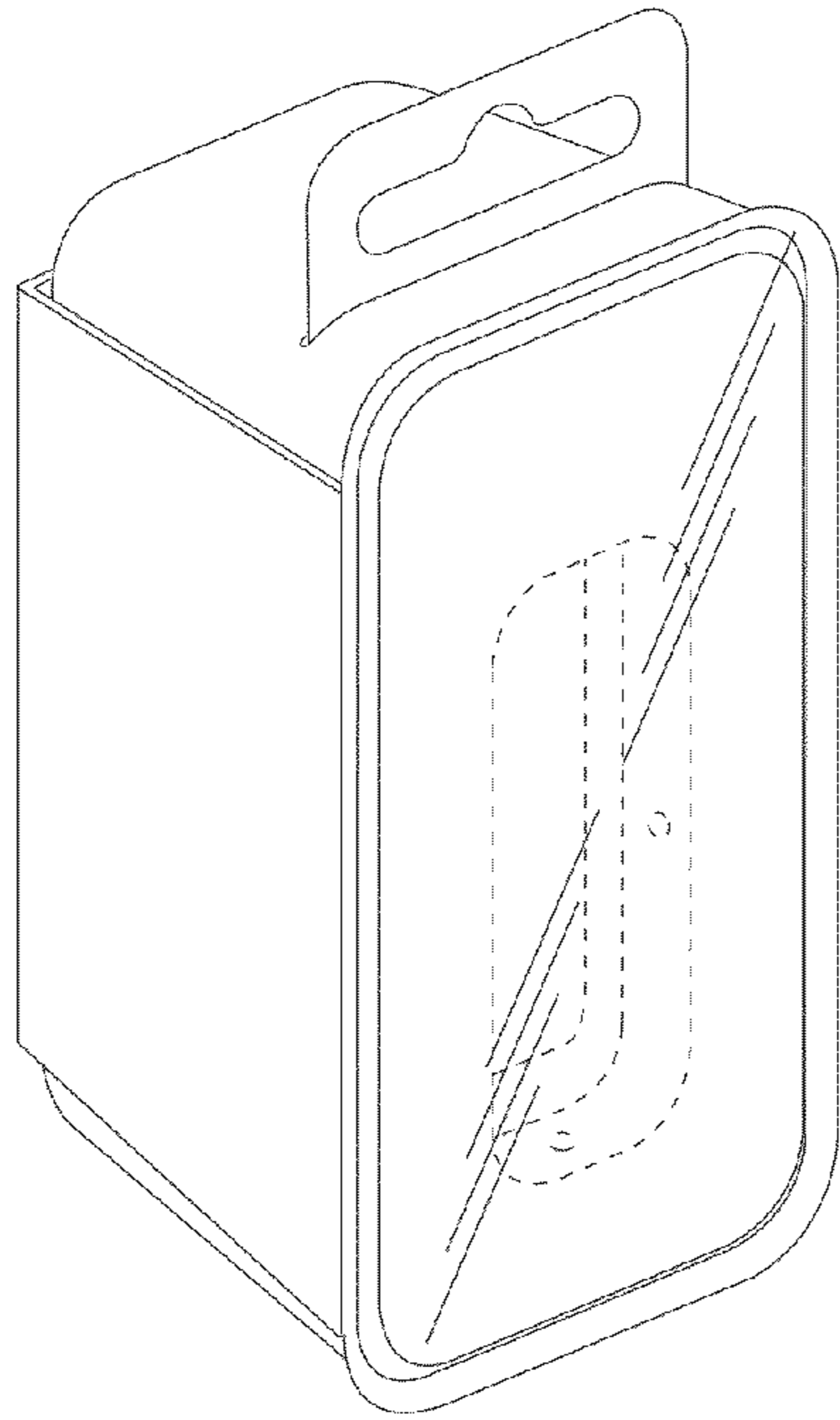


FIG. 57

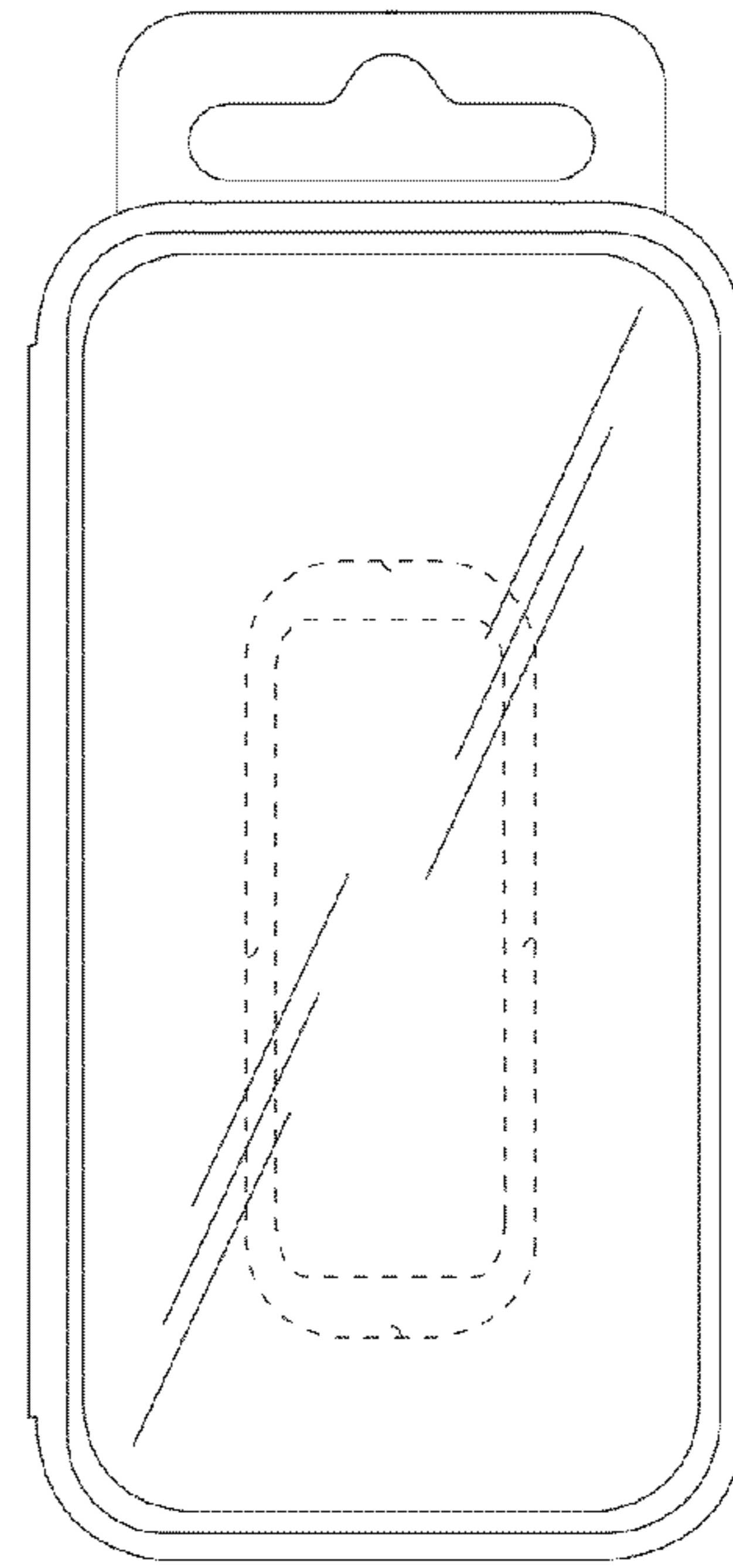


FIG. 58

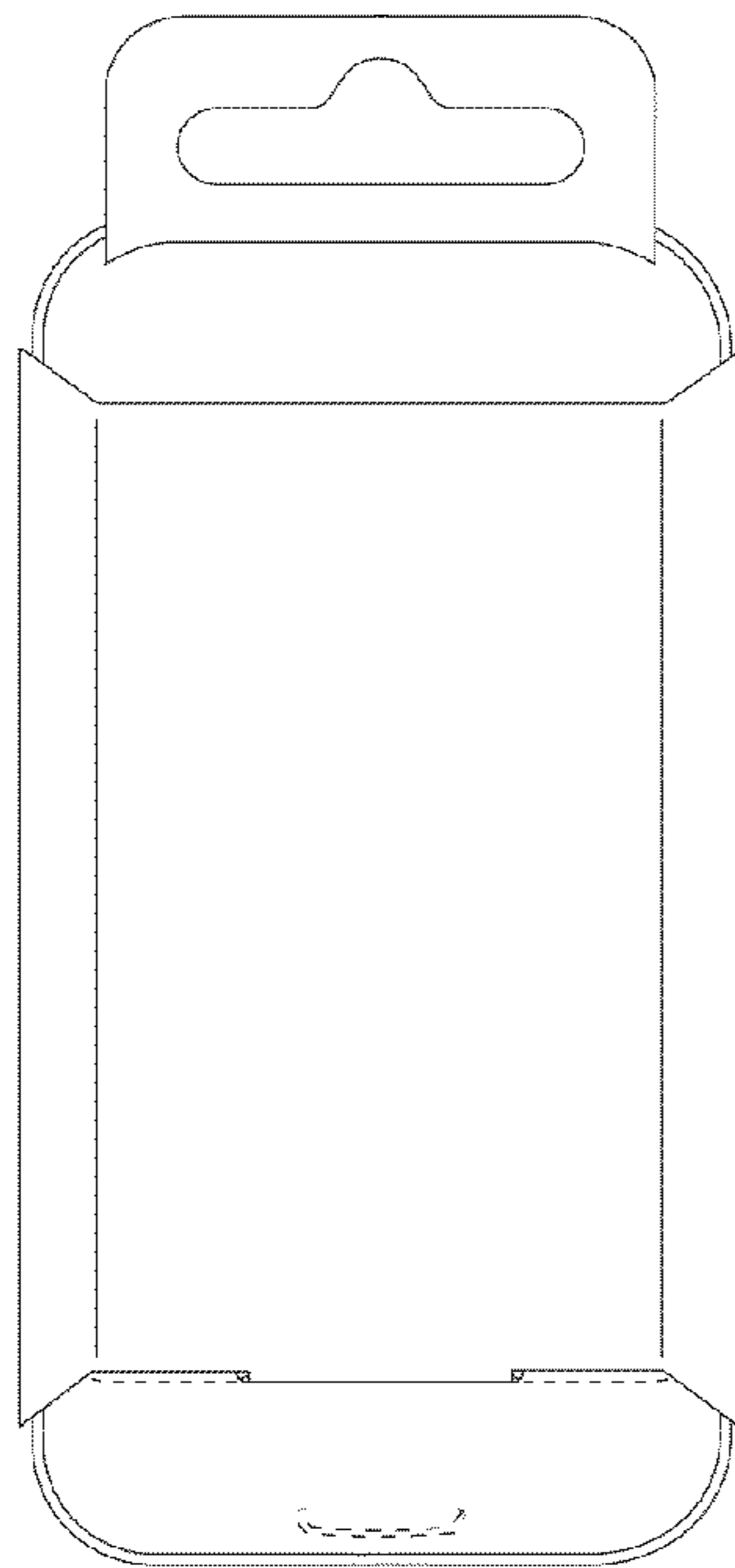


FIG. 59

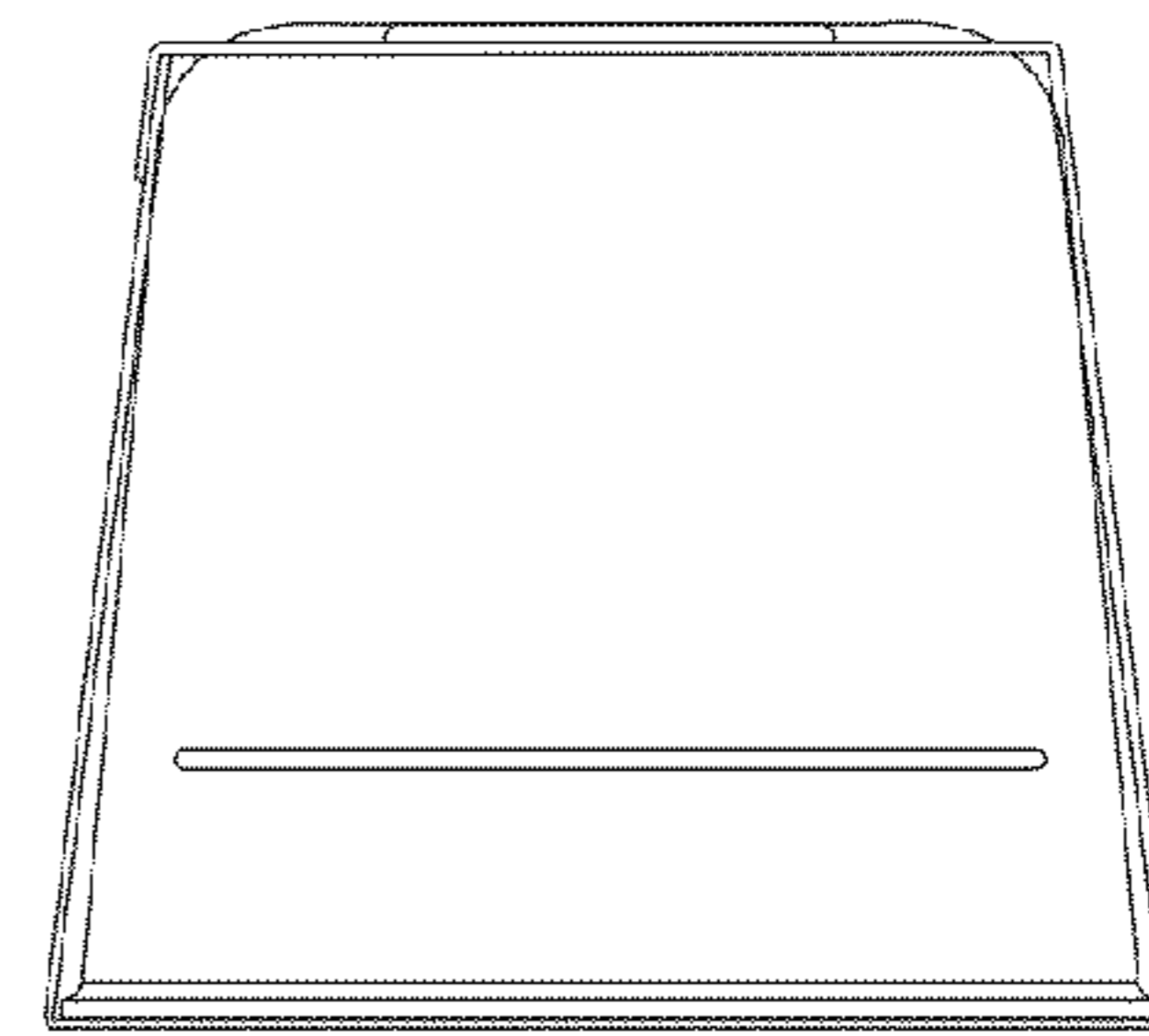


FIG. 60

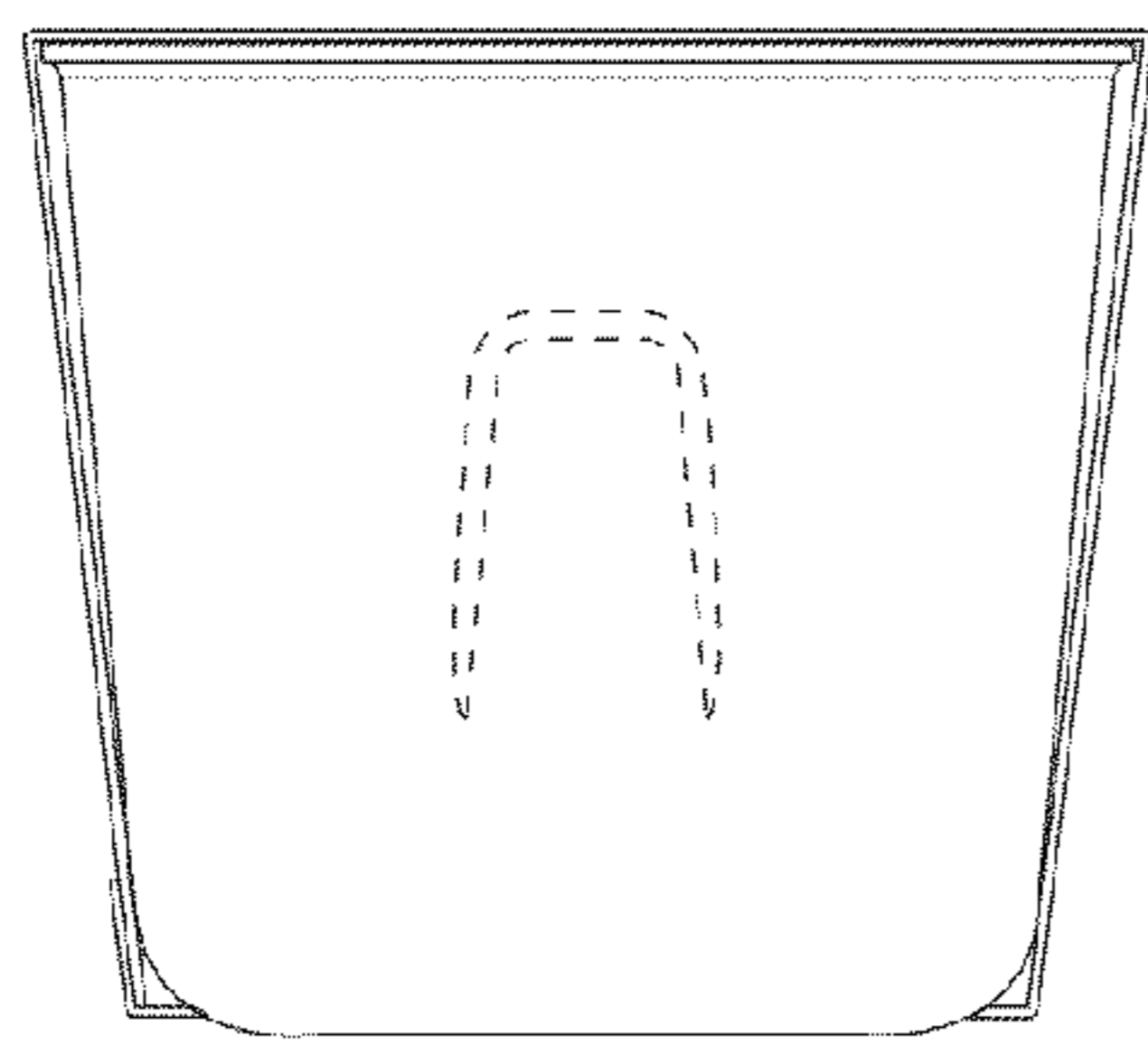


FIG. 61

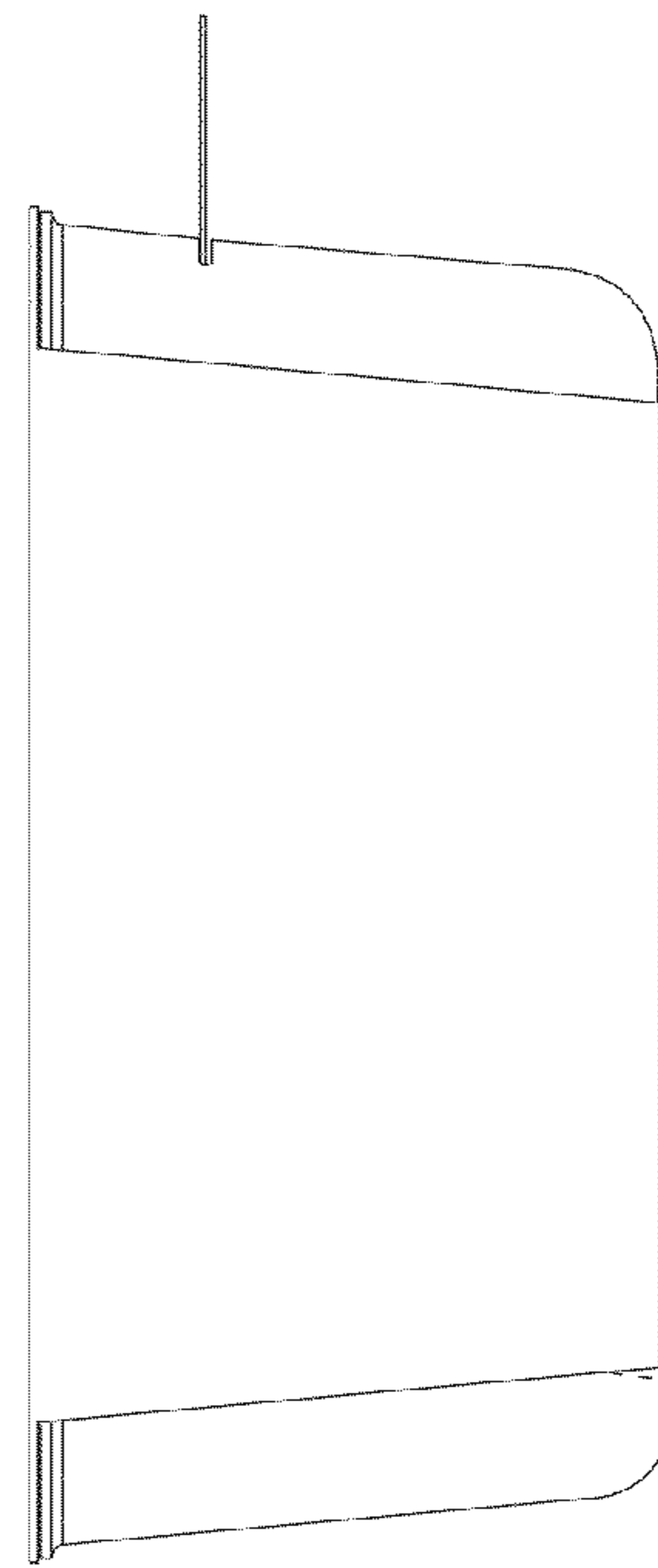


FIG. 62

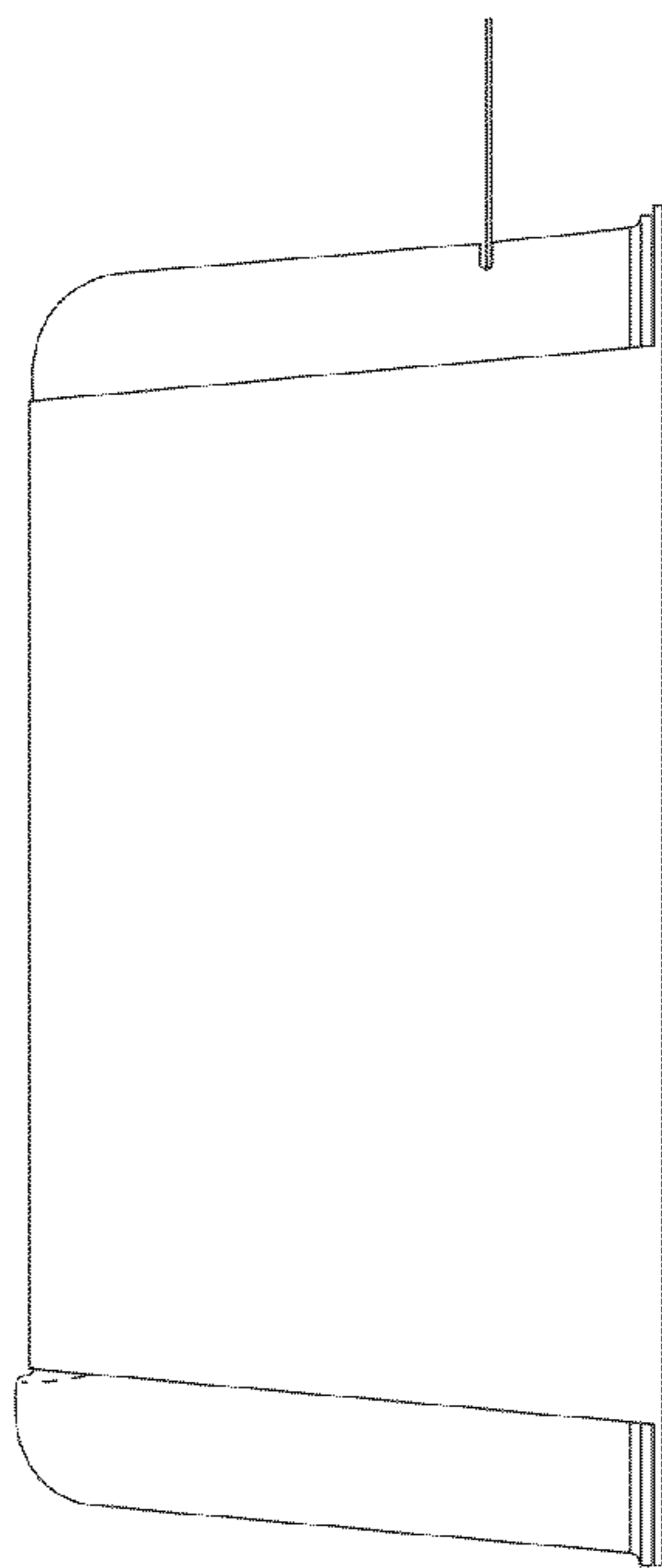


FIG. 63

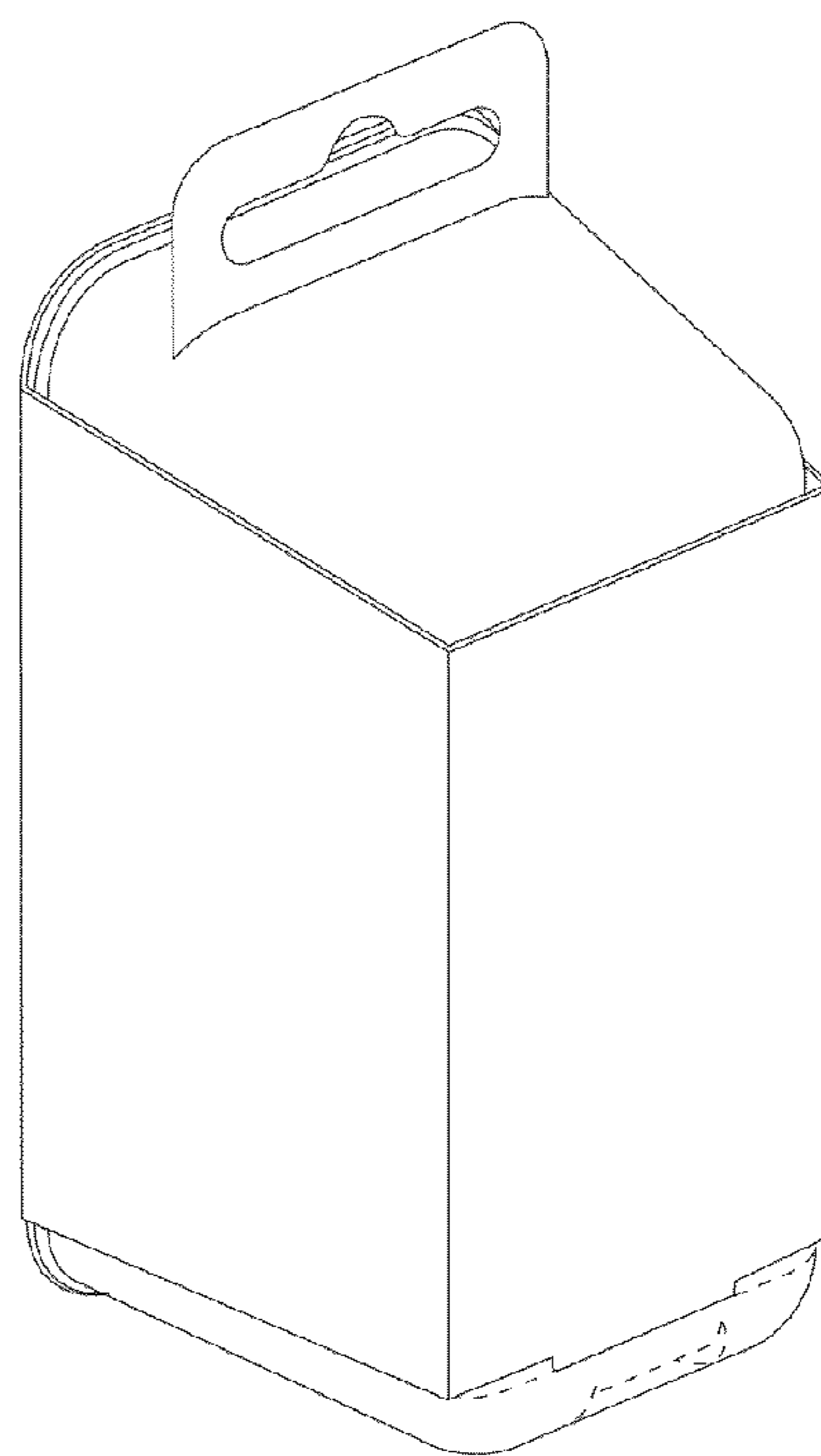


FIG. 64