



US00D731880S

(12) **United States Design Patent**
Thrush et al.

(10) **Patent No.:** **US D731,880 S**
(45) **Date of Patent:** **** Jun. 16, 2015**

(54) **RAILING CONNECTOR**

(71) Applicant: **MODDEX GROUP PTY LTD,**
Boronia, Victoria (AU)

(72) Inventors: **Stephen Thrush,** Maryborough (AU);
Dean Vos, Mooroolbark (AU)

(73) Assignee: **MODDEX GROUP PTY LTD.,**
Boronia (AU)

(**) Term: **14 Years**

(21) Appl. No.: **29/447,941**

(22) Filed: **Mar. 7, 2013**

(30) **Foreign Application Priority Data**

Nov. 14, 2012 (AU) 201215641

(51) **LOC (10) Cl.** **08-08**

(52) **U.S. Cl.**
USPC **D8/382**

(58) **Field of Classification Search**
USPC D8/382, 349, 354; D25/38.1, 61;
D23/263; 403/205, 256, 171, 172, 108;
256/65.01, 65.05; 384/495, 906, 477,
384/558; 211/182, 187, 189, 206; 277/579,
277/581; 108/107, 147.13, 147.15, 147.12,
108/147.16, 106, 108; 296/100.16; 285/93
CPC E04F 11/1817; E04F 11/1834; A47C
19/021; A47B 47/0008; A47F 5/0018
See application file for complete search history.

(56) **References Cited**

U.S. PATENT DOCUMENTS

D86,005 S * 1/1932 Astrup D8/382
3,851,980 A * 12/1974 Worth et al. 403/172
4,711,595 A * 12/1987 Magid et al. 403/108
D413,058 S * 8/1999 Murakami D8/382

D417,916 S * 12/1999 Ribe D25/38.1
6,283,457 B1 * 9/2001 Venegas, Jr. 256/65.05
D556,559 S * 12/2007 Jones et al. D8/382
D634,818 S * 3/2011 Leroyer D23/263
D652,122 S * 1/2012 Bonhag et al. D23/263
D707,366 S * 6/2014 Rowland D25/38.1
2010/0052313 A1 * 3/2010 Ishida et al. 285/93
2010/0270825 A1 * 10/2010 Beshiri et al. 296/100.16

OTHER PUBLICATIONS

3 Way Blind Corner, Easyfit Structural Fittings, [online], [retrieved on Sep. 2, 2014]. Retrieved from the Internet <URL: http://www.easyfit.com/catalog/EF20G_-_3-way_Blind_Corner/>.*
ADA, Picket & Custom Guardrail, Staging Dimensions, [online], [retrieved on Sep. 2, 2014]. Retrieved from the Internet <URL: <http://www.stagingdimensionsinc.com/ada-guardrails.php>>.*

* cited by examiner

Primary Examiner — Sheryl Lane

Assistant Examiner — Nicole Shiflet

(74) *Attorney, Agent, or Firm* — I. Morley Drucker;
Fulwider Patton LLP

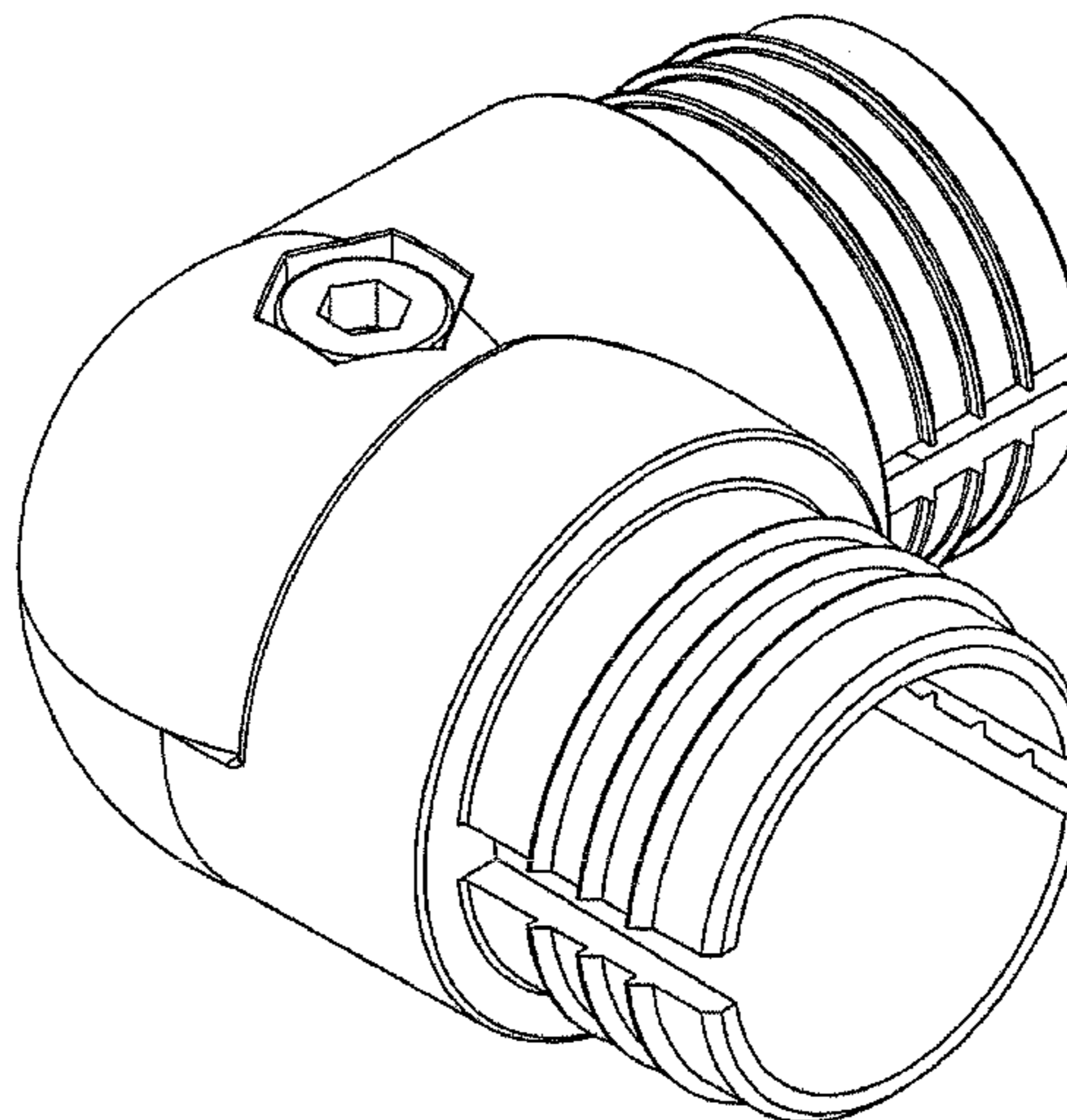
(57) **CLAIM**

The ornamental design for a railing connector, as shown and described.

DESCRIPTION

FIG. 1 is a top view of the railing connector, showing my new design;
FIG. 2 is a right side view of the design illustrated in FIG. 1, the left side view being a mirror image thereof;
FIG. 3 is a front view of the design illustrated in FIG. 1;
FIG. 4 is a top and front perspective view of the design illustrated in FIG. 1; and,
FIG. 5 is a rear perspective view of the design illustrated in FIG. 1.
Portions of the article shown in broken lines form no part of the claimed design.

1 Claim, 5 Drawing Sheets



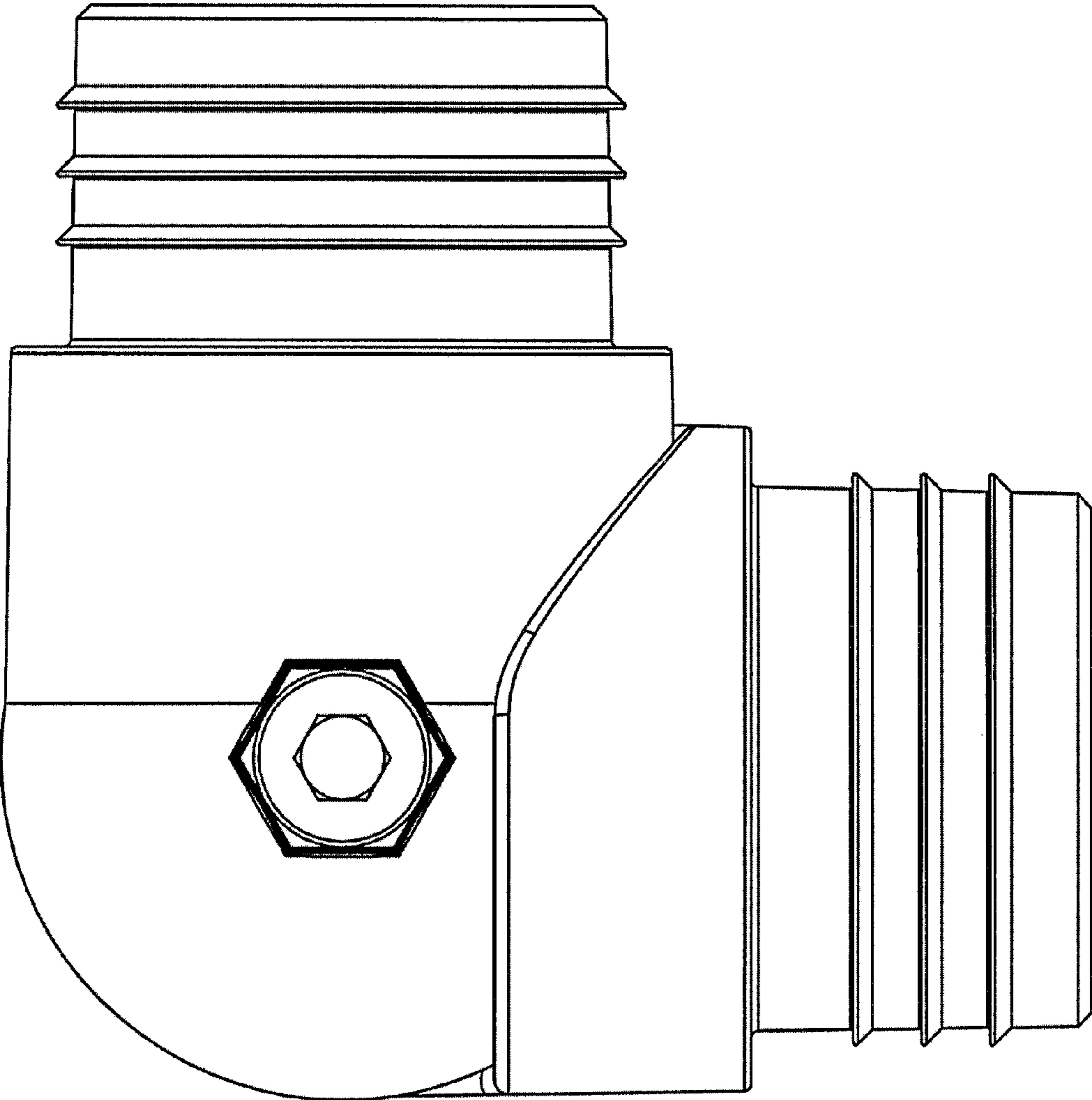


Fig. 1

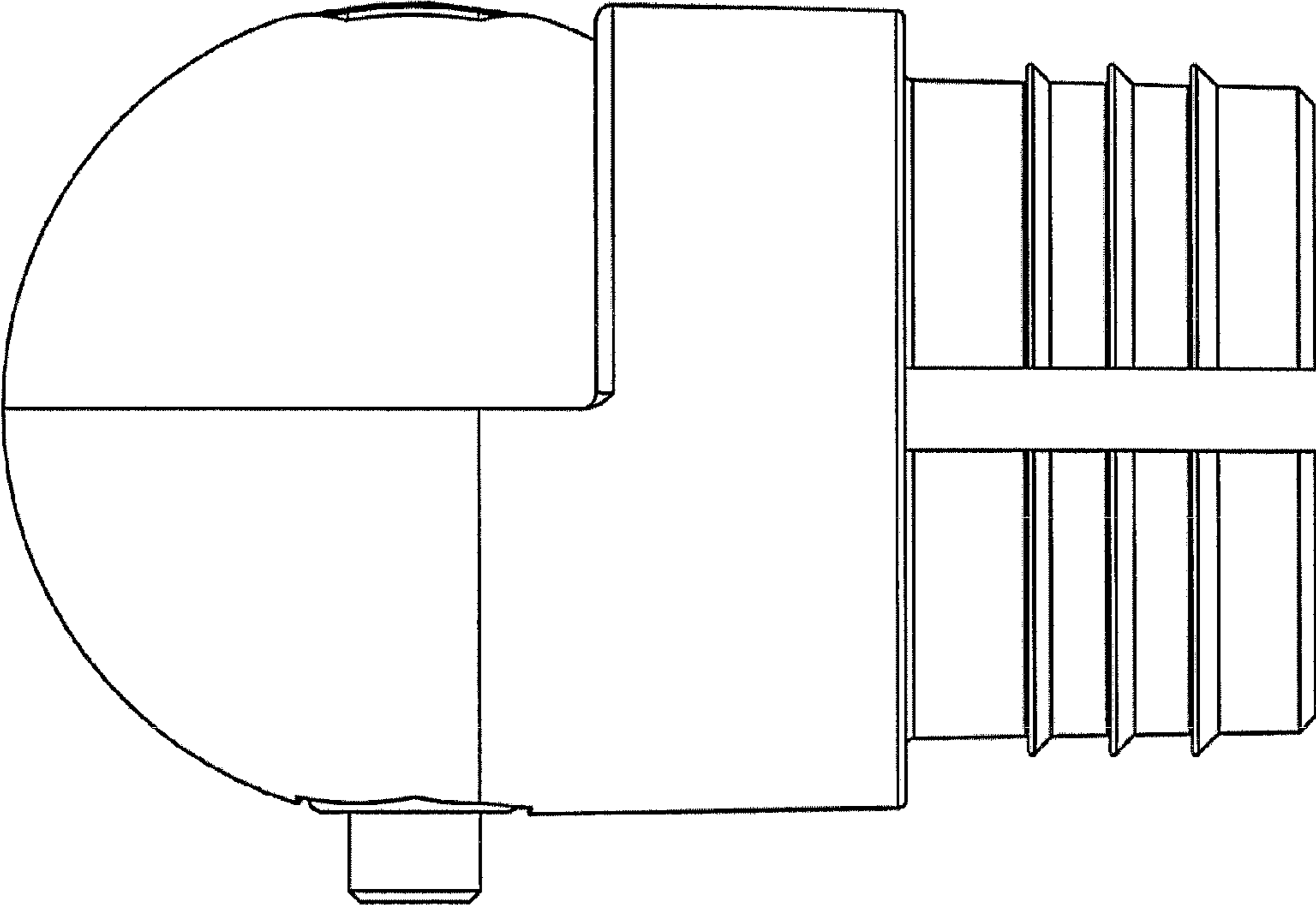


Fig. 2

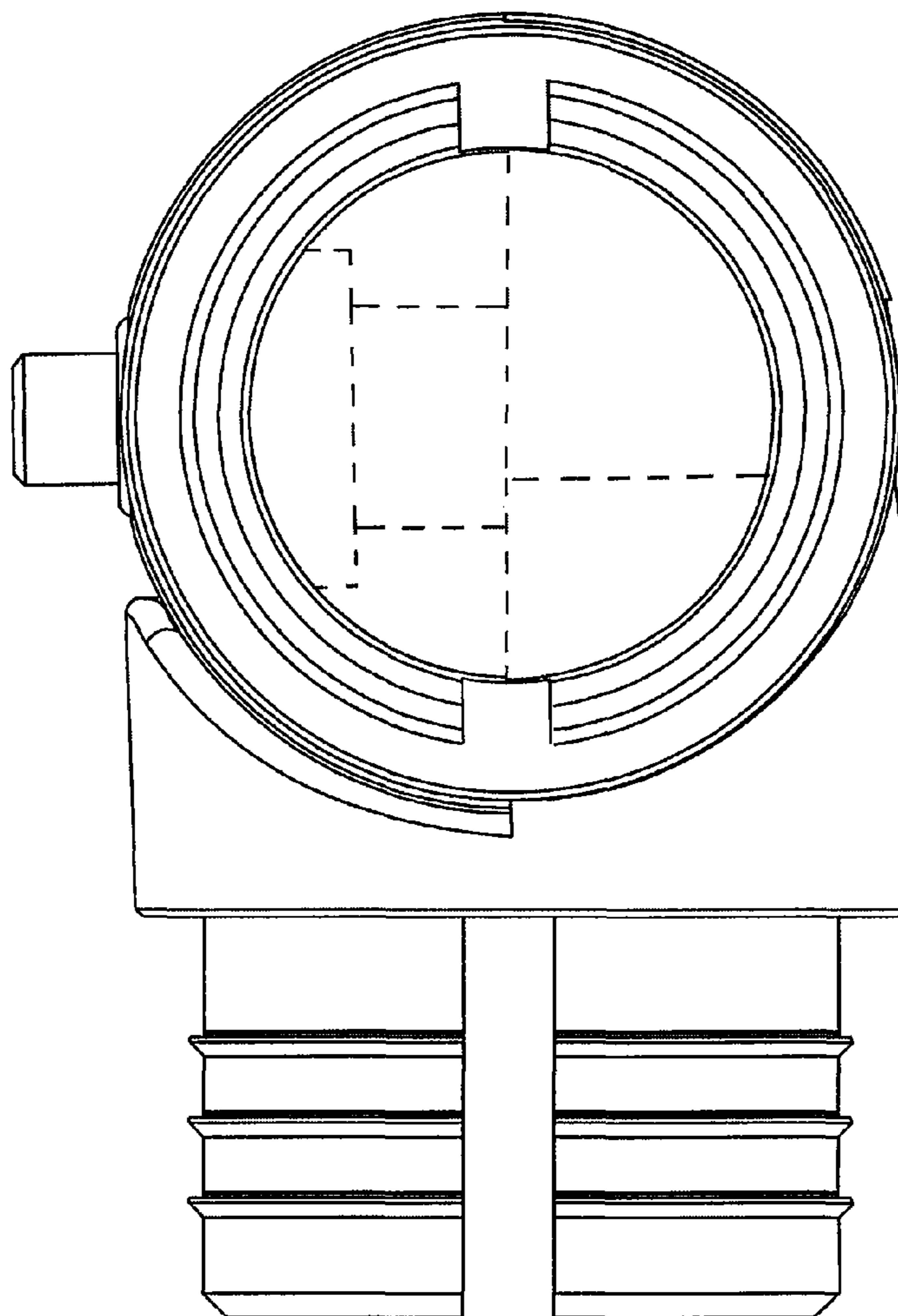


FIG. 3

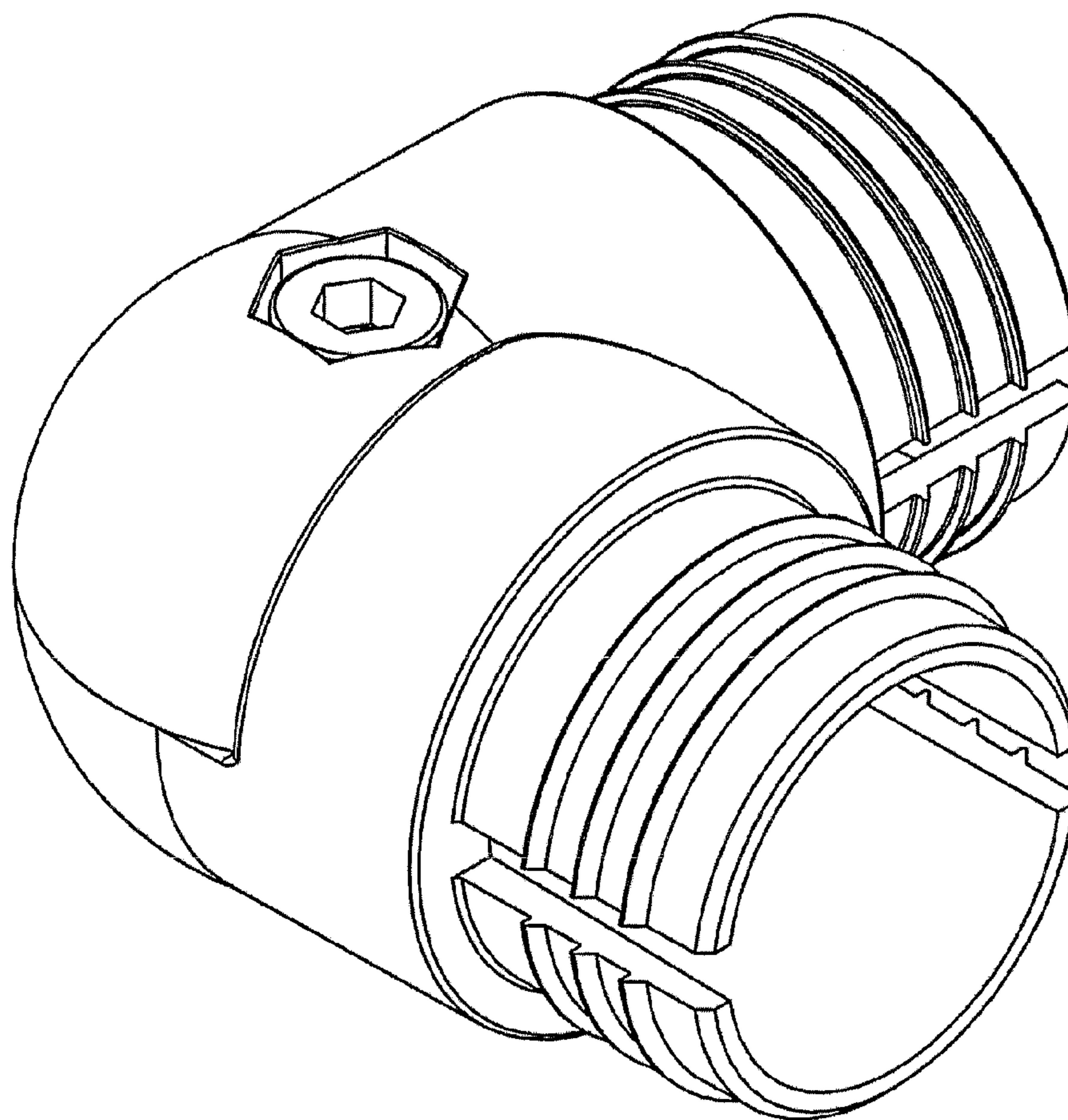


Fig. 4

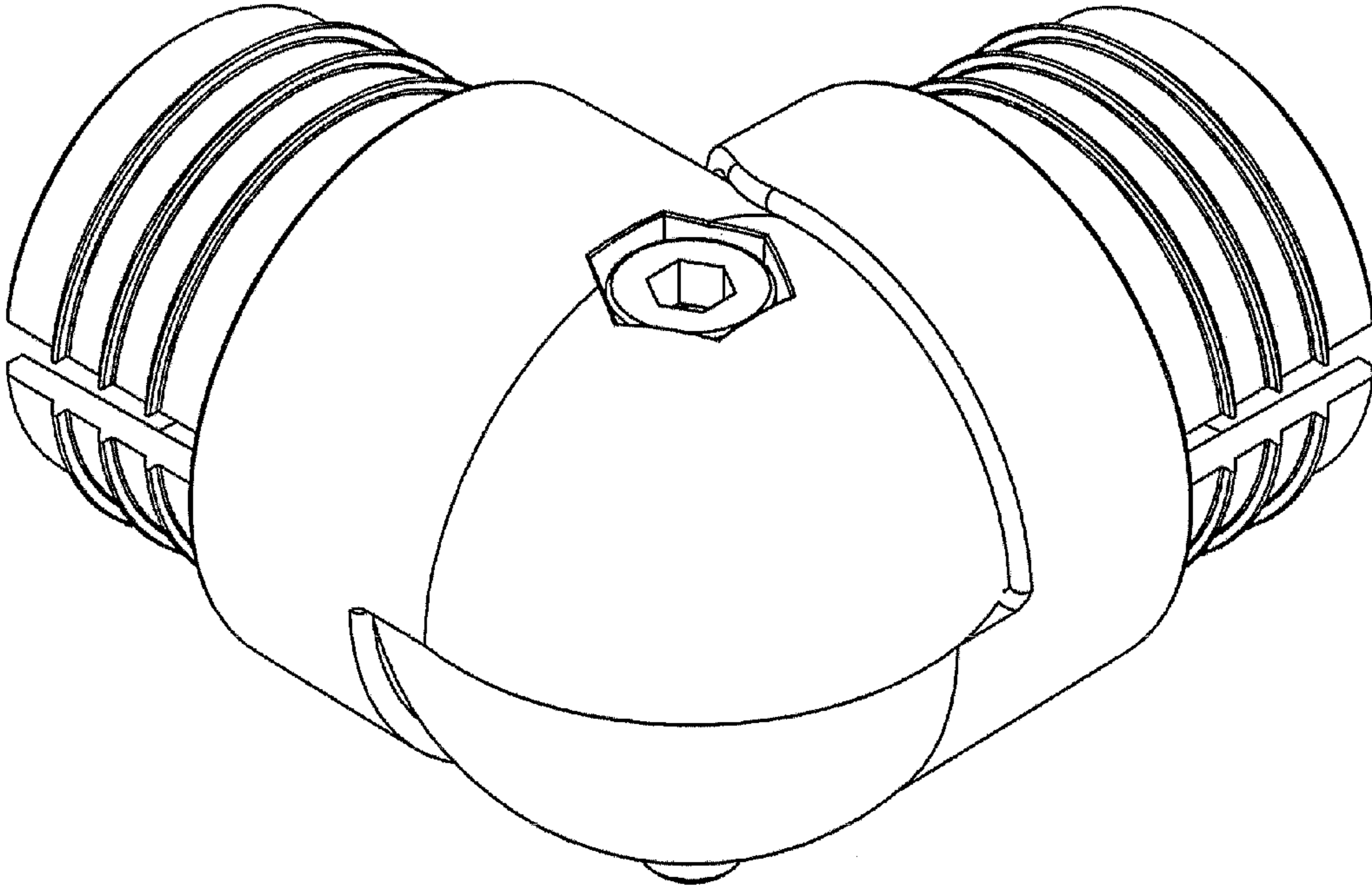


Fig. 5