



US00D731879S

(12) **United States Design Patent**
Williamson

(10) **Patent No.:** **US D731,879 S**
(45) **Date of Patent:** **** Jun. 16, 2015**

- (54) **CORNER SHELF BRACKET**
- (71) Applicant: **David Williamson**, Fayetteville, AR (US)
- (72) Inventor: **David Williamson**, Fayetteville, AR (US)
- (**) Term: **14 Years**
- (21) Appl. No.: **29/488,518**
- (22) Filed: **Apr. 21, 2014**
- (51) **LOC (10) Cl.** **08-05**
- (52) **U.S. Cl.**
USPC **D8/381**
- (58) **Field of Classification Search**
USPC D8/381, 280, 382, 354, 366, 353, 363, D8/356, 373, 376, 377, 71, 106, 349, 355, D8/396; 248/200, 243, 347, 251, 237, 235, 248/248, 249, 250, 300, 544, 588, 242, 314, 248/267, 265, 207; 108/152, 108, 137; 174/68.1, 73.1, 57, 48, 135; 52/687, 52/686, 506.07, 506.06, 426; D6/572, D6/574, 555, 705.6, 566, 549; D25/121, D25/164, 126, 61, 55, 48.2, 48.3, 48.7, 119; 211/134; 482/16, 32; 160/381, 371, 160/369; 16/225
CPC E06B 2009/527; E06B 2003/7096; E06B 3/9641; E06B 5/00; E04B 2002/7479; E04B 2002/7483; A47B 2096/207; B25B 27/0092; E05D 15/0691; F16B 12/02
See application file for complete search history.

- (56) **References Cited**
U.S. PATENT DOCUMENTS
D452,135 S * 12/2001 Wyatt et al. D8/354
D480,948 S * 10/2003 Patrizzi et al. D8/373

- D590,697 S * 4/2009 Townley D8/354
- D596,018 S * 7/2009 Lisowski D8/380
- D596,019 S * 7/2009 Lisowski D8/380
- D596,020 S * 7/2009 Lisowski D8/380
- D611,332 S * 3/2010 Tedesco et al. D8/380
- D710,032 S * 7/2014 Chrien D25/119
- 2011/0147327 A1* 6/2011 Verdicchio 211/134
- 2011/0272373 A1* 11/2011 Wojtowicz et al. 211/134

* cited by examiner

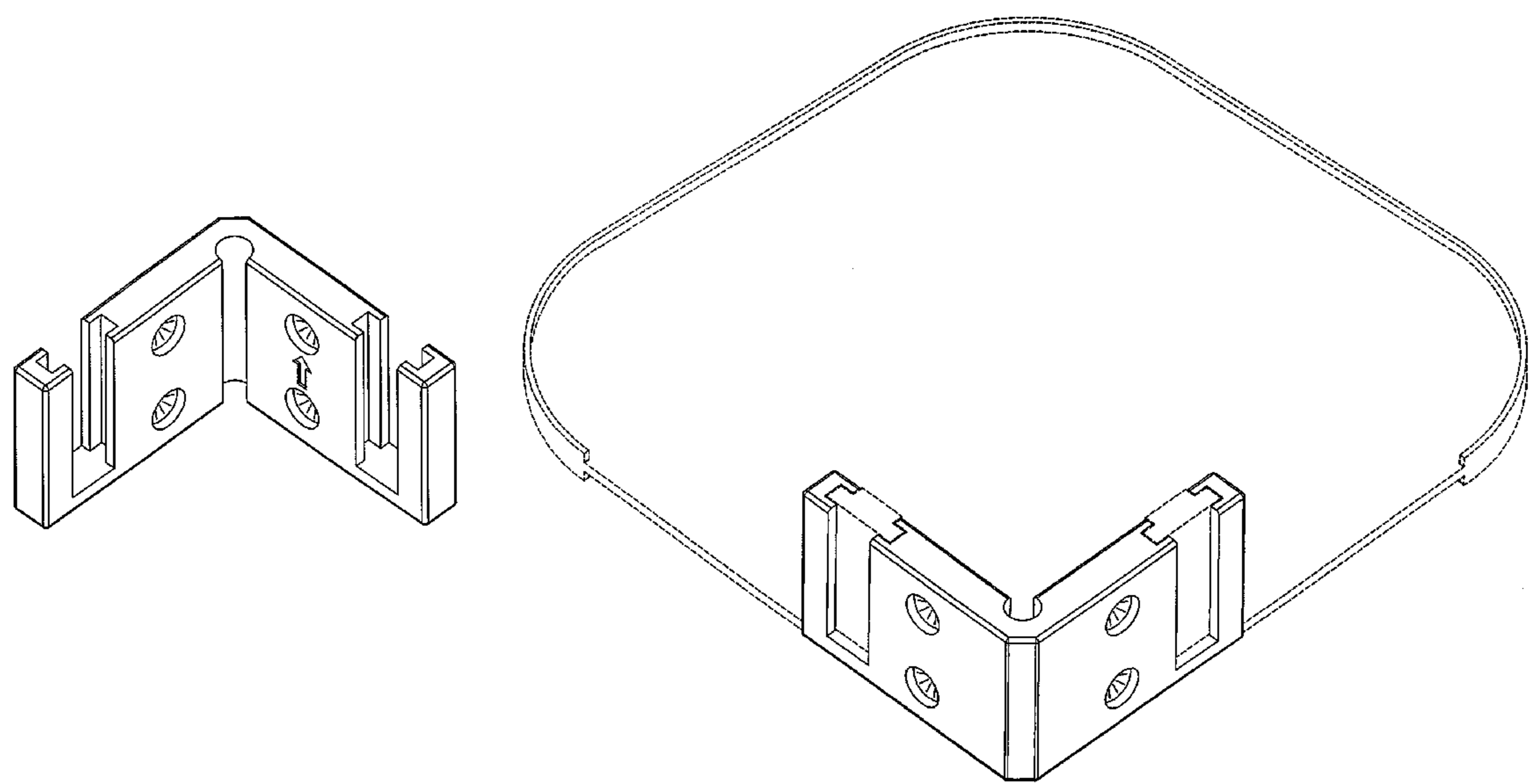
Primary Examiner — Robert M Spear
Assistant Examiner — Eliza Bennett-Hattan
(74) *Attorney, Agent, or Firm* — Keisling & Pieper PLC; David B. Reper

(57) **CLAIM**
The ornamental design for a corner shelf bracket, as shown and described.

DESCRIPTION

FIG. 1 is a perspective view of a corner shelf bracket showing my new design;
FIG. 2 is a top view thereof;
FIG. 3 is a left side view thereof;
FIG. 4 is a right side view thereof; and,
FIG. 5 is a front view thereof;
FIG. 6 is a back view thereof;
FIG. 7 is a bottom view thereof;
FIG. 8 is an environmental view thereof showing an inside shelf in an unattached position;
FIG. 9 is an environmental view thereof showing an inside shelf in an attached position;
FIG. 10 is an environmental view thereof showing an outside shelf in an unattached position; and,
FIG. 11 is an environmental view thereof showing an outside shelf in an attached position.
Portions of the drawings shown in broken lines for illustrative purposes only and form no part of the claimed design.

1 Claim, 10 Drawing Sheets



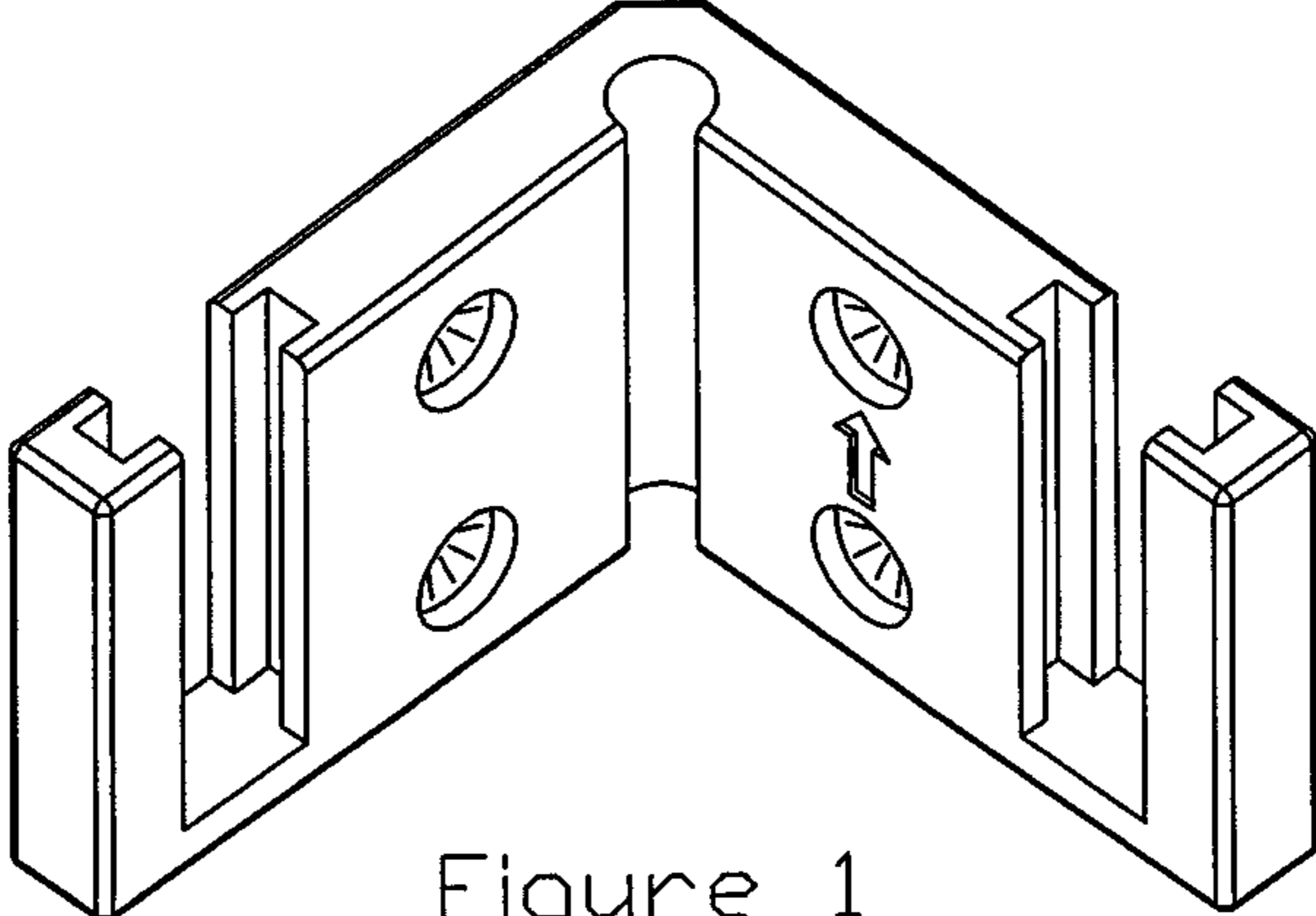


Figure 1

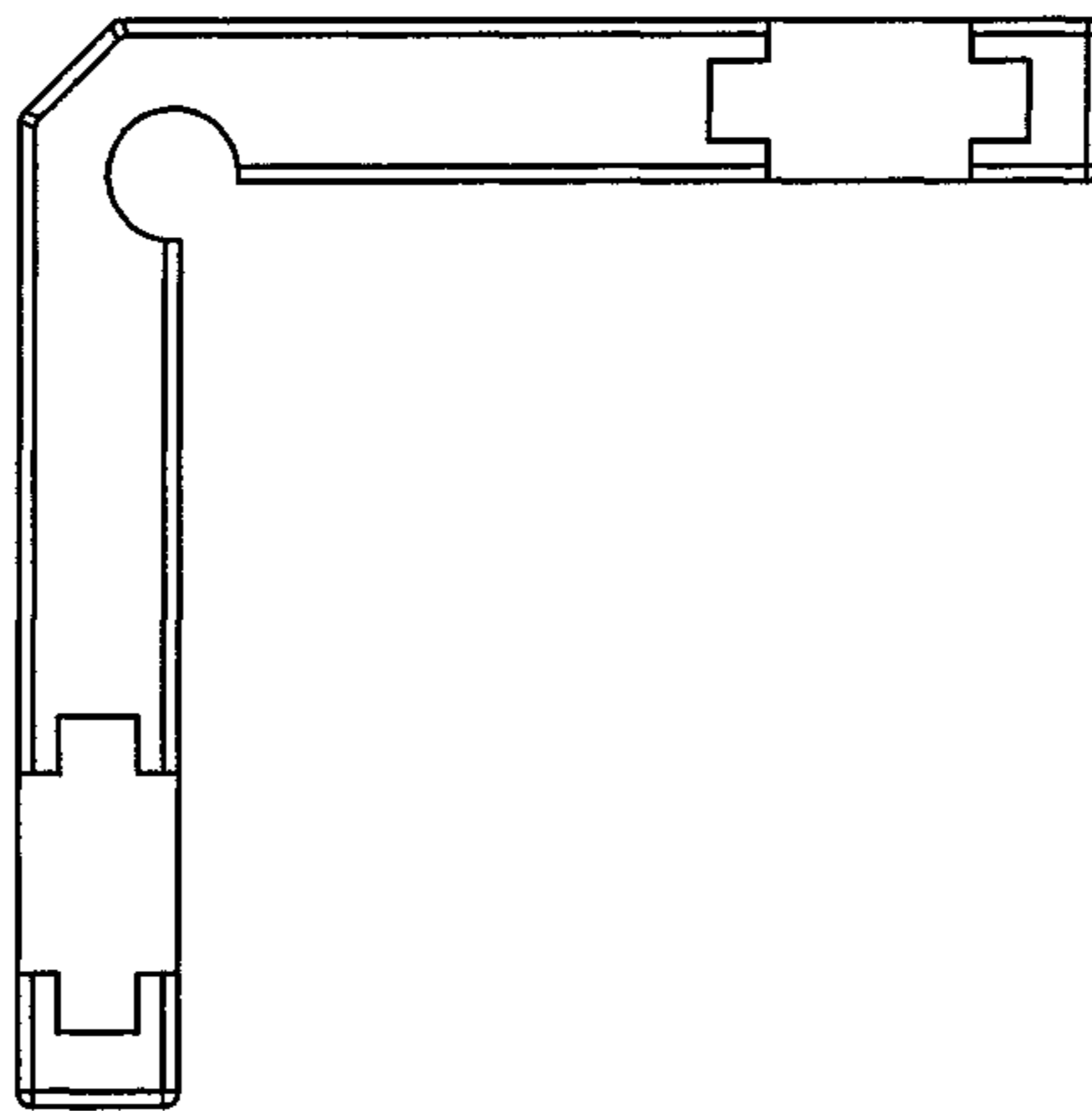


Figure 2

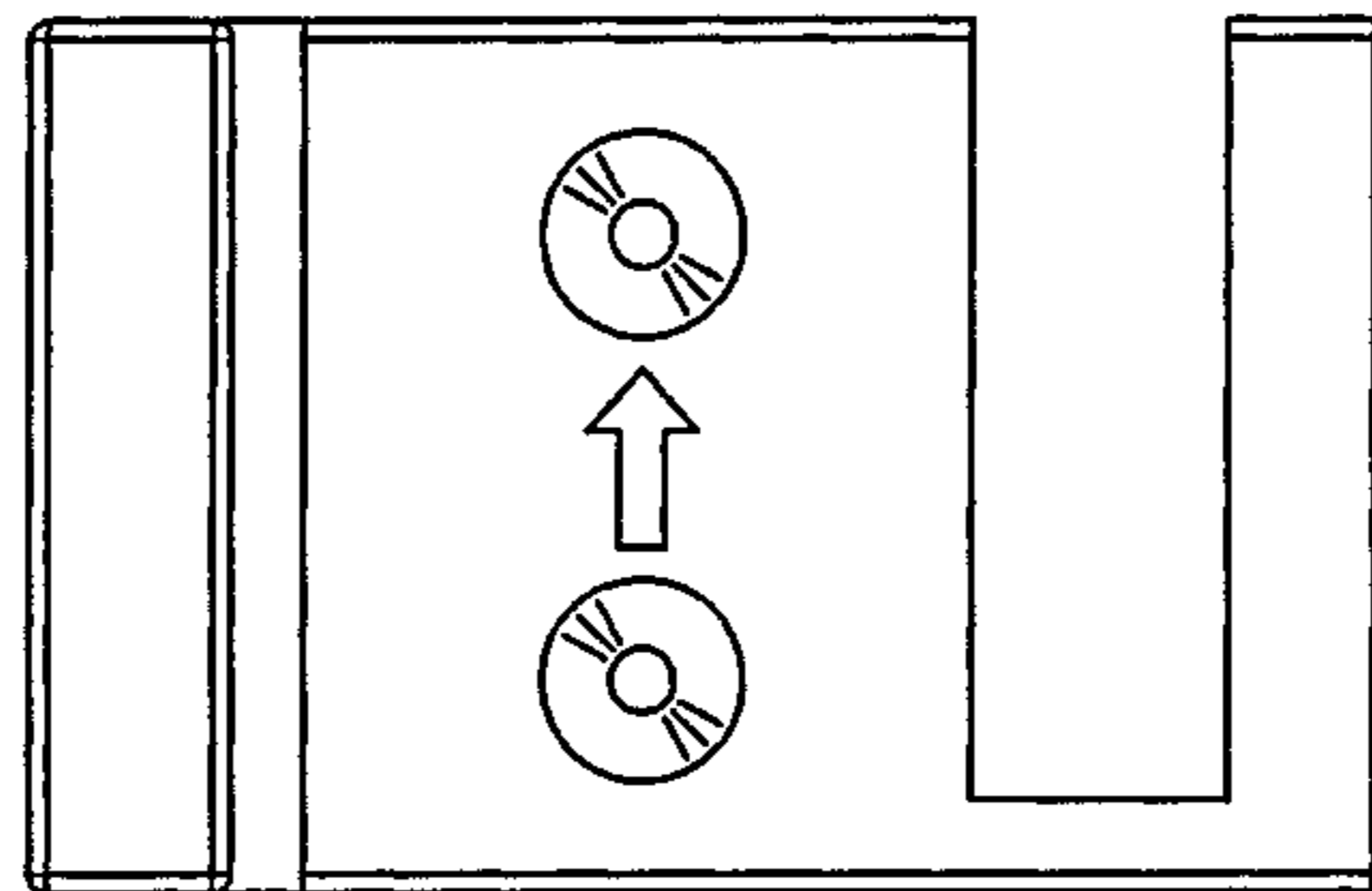


Figure 3

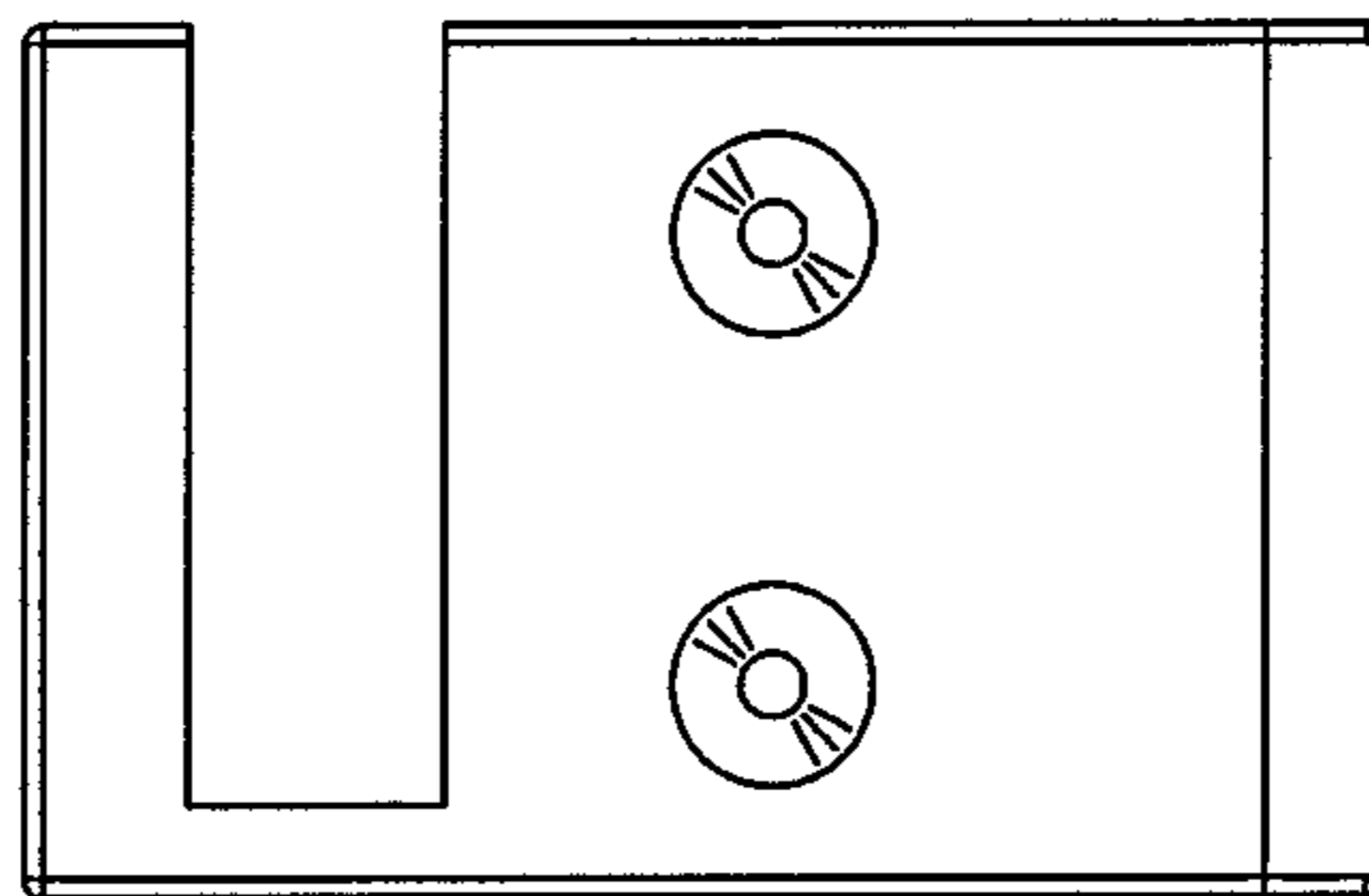


Figure 4

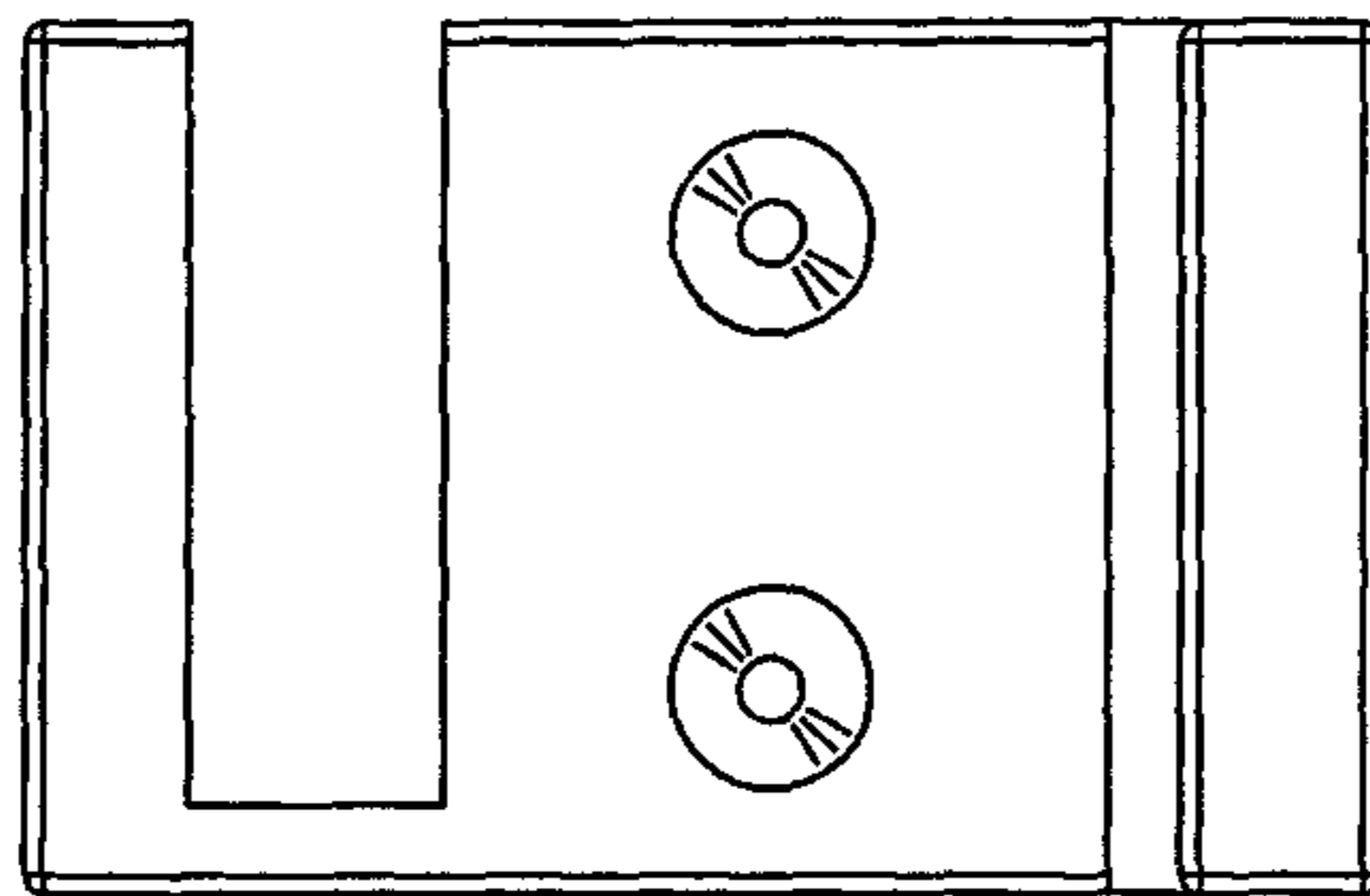


Figure 5

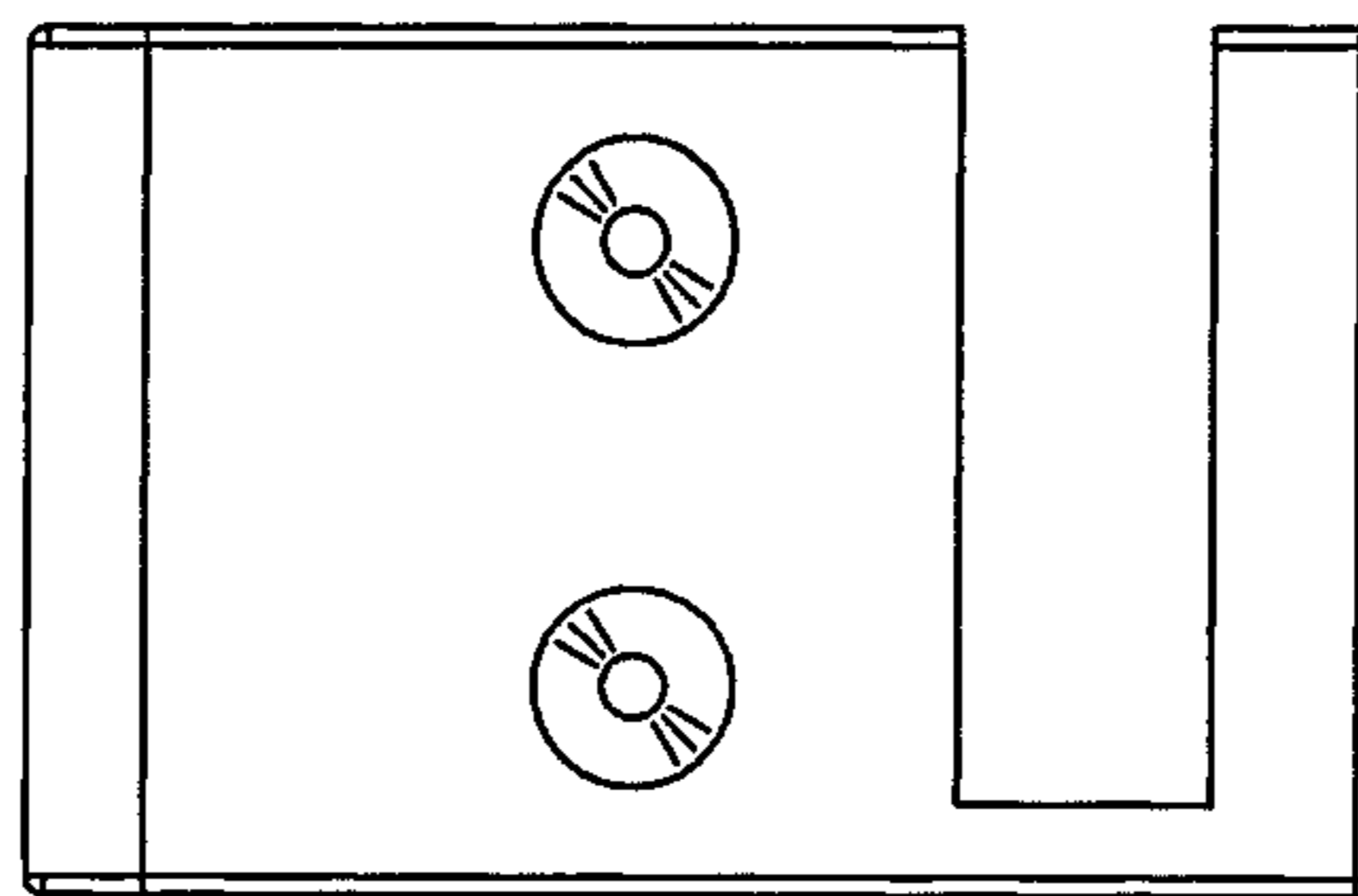


Figure 6

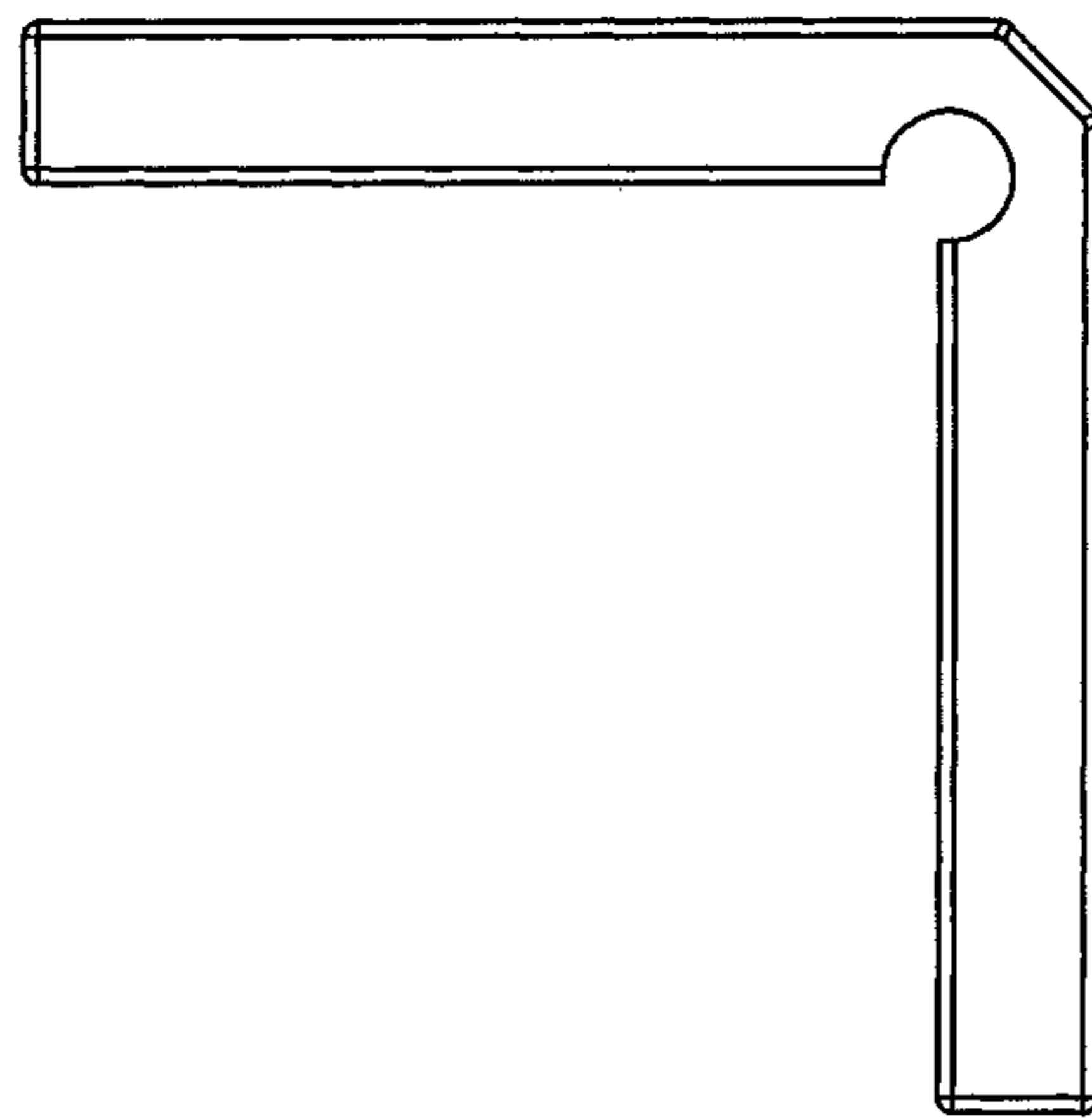


Figure 7

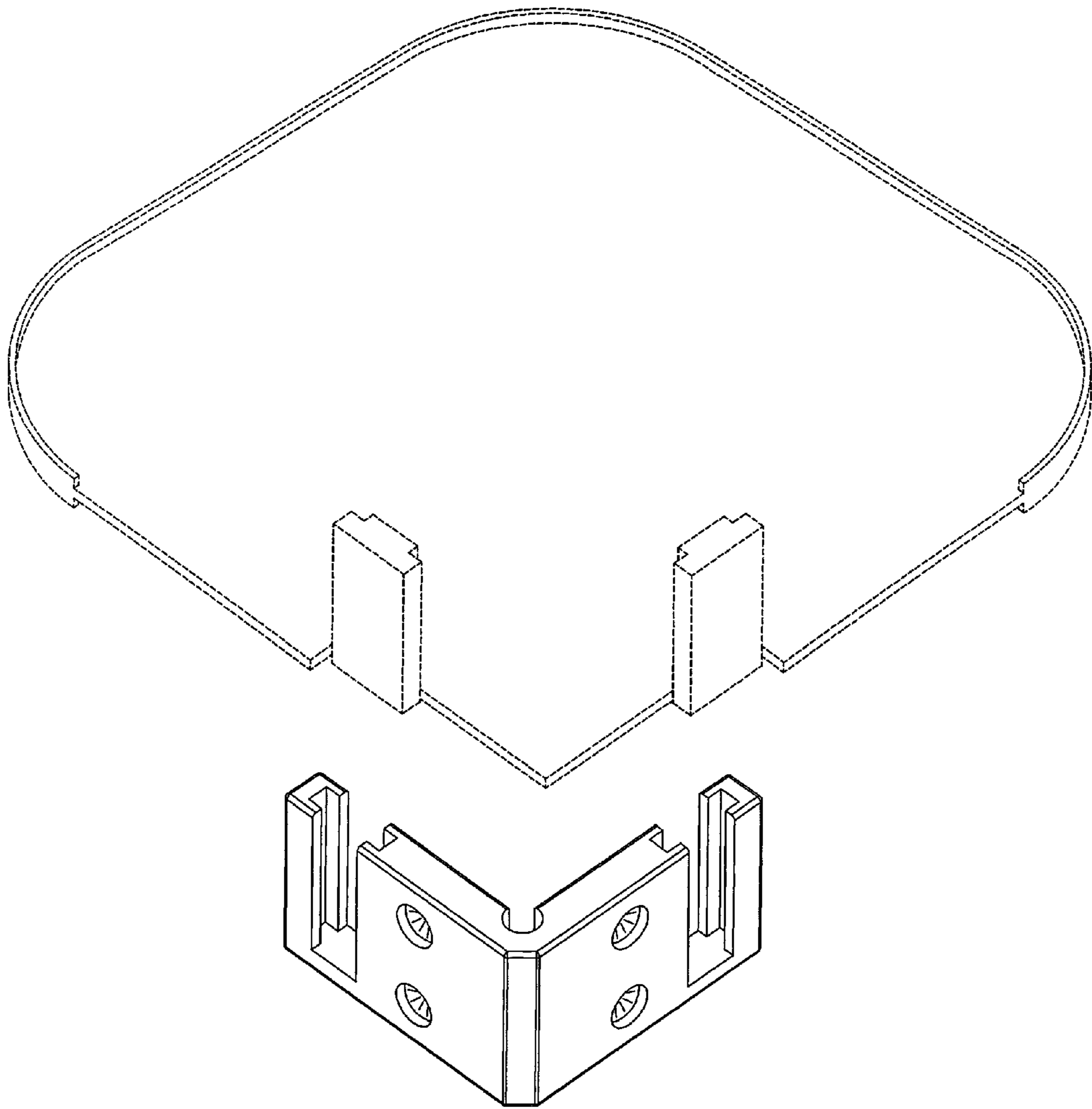


Figure 8

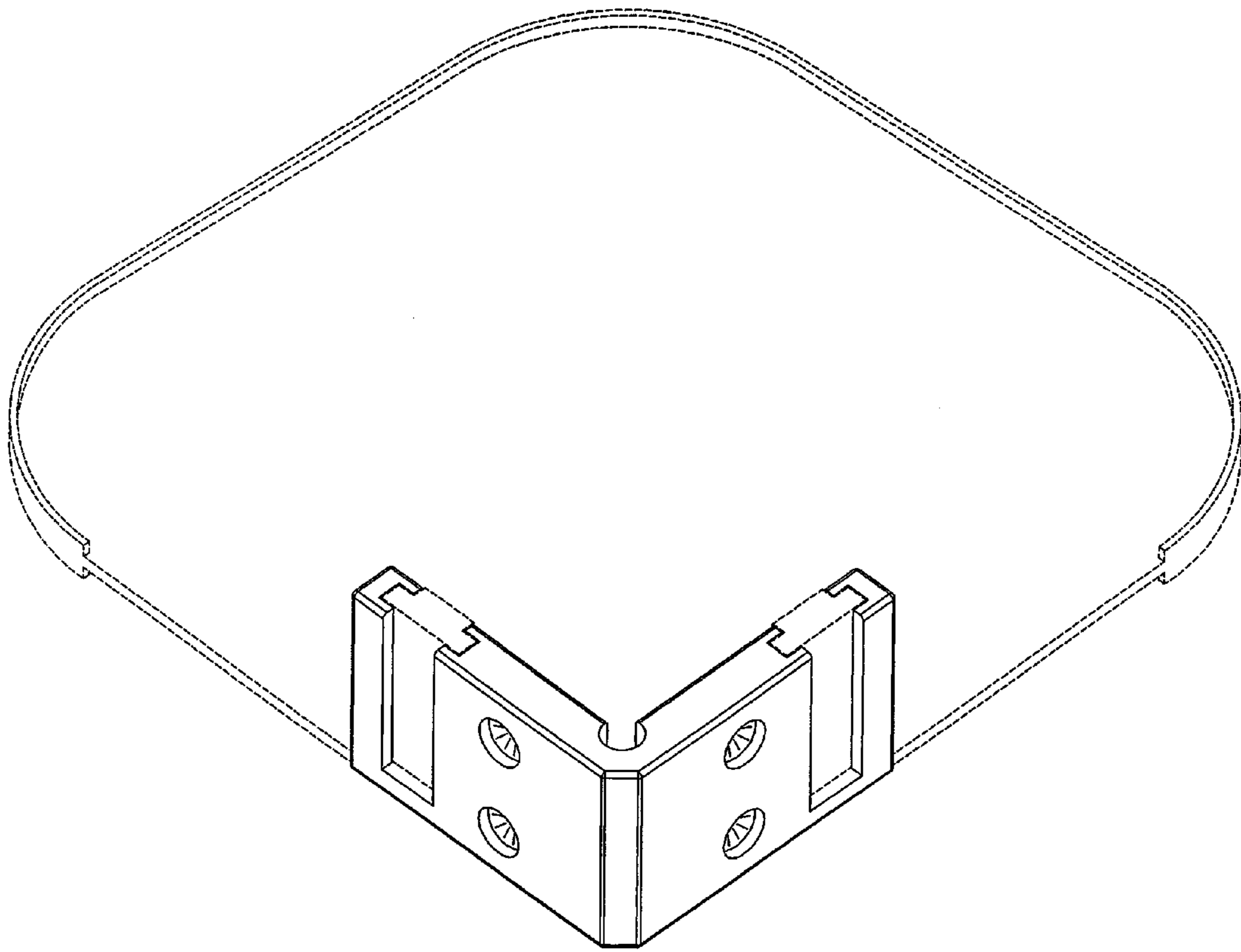


Figure 9

