



US00D731878S

(12) **United States Design Patent**
Lindsay et al.

(10) **Patent No.:** **US D731,878 S**
(45) **Date of Patent:** **** Jun. 16, 2015**

- (54) **WHEEL**
- (71) Applicant: **SISTEMA PLASTICS LIMITED**,
Auckland (NZ)
- (72) Inventors: **Brendan Jon Lindsay**, Auckland (NZ);
Saleh Ghiyath, Auckland (NZ)
- (73) Assignee: **SISTEMA PLASTICS LIMITED**,
Auckland (NZ)
- (**) Term: **14 Years**
- (21) Appl. No.: **29/481,266**
- (22) Filed: **Feb. 3, 2014**

D241,004 S *	8/1976	Pinaire	D8/375
D241,611 S *	9/1976	Crescenzi	D8/375
D244,989 S *	7/1977	Crescenzi	D8/375
4,120,071 A *	10/1978	Crescenzi	16/37
4,399,586 A *	8/1983	McCarroll	16/31 R
D288,287 S *	2/1987	Screen	D8/375
4,693,387 A	9/1987	Stonier	
D310,622 S *	9/1990	Screen	D8/375
D313,342 S *	1/1991	Screen	D8/375
D340,182 S *	10/1993	Soltani	D8/375
6,431,580 B1	8/2002	Kady	
D561,014 S *	2/2008	Brodbeck	D8/375
D639,149 S *	6/2011	Schioppa	D8/375

* cited by examiner

- (30) **Foreign Application Priority Data**
- Aug. 20, 2013 (NZ) 417956
- (51) **LOC (10) Cl.** **08-05**
- (52) **U.S. Cl.**
- USPC **D8/375**
- (58) **Field of Classification Search**
- USPC D8/375, 374, 382, 354; D24/183;
D12/19; 16/31 R, 18 R, 29, 35 D, 35 R,
16/37, 45; D3/318; D34/27
- CPC B60B 33/0002; B60B 33/0049; B60B
33/0042; B60B 33/0068; B60B 33/0057;
B60B 33/0073; B60B 33/0028; B60B
33/0039; B60B 33/0021; B60B 33/00; B60B
33/0005; B60B 33/0018; B60B 33/0007;
B60B 33/0023; B60B 33/021
- See application file for complete search history.

Primary Examiner — Robert M Spear
Assistant Examiner — Eliza Bennett-Hattan
 (74) *Attorney, Agent, or Firm* — Morrison & Foerster LLP

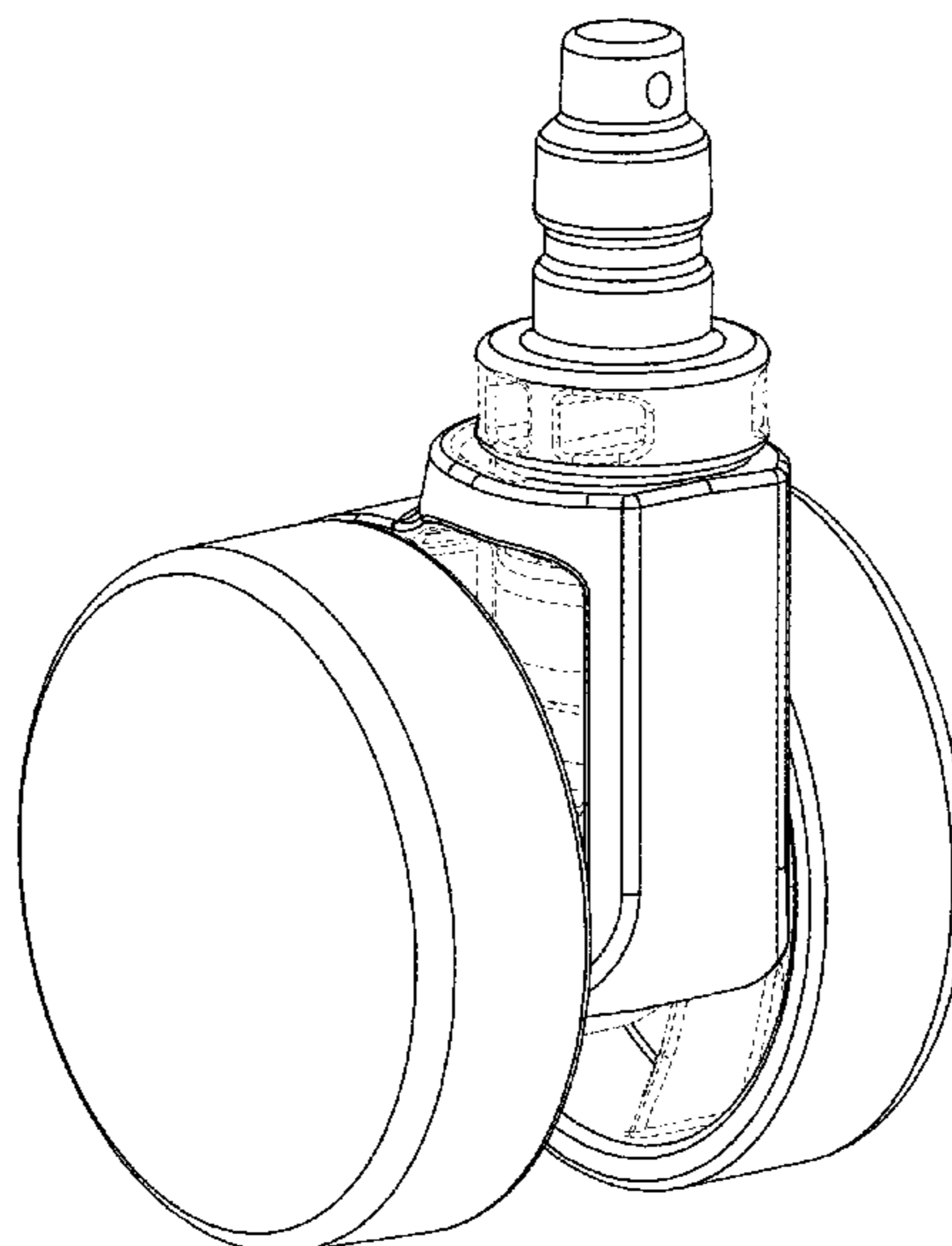
- (56) **References Cited**
- U.S. PATENT DOCUMENTS
- D240,399 S * 7/1976 Crescenzi D8/375

(57) **CLAIM**
 The ornamental design for a wheel, as shown and described.

DESCRIPTION

FIG. 1 is a front perspective view of a wheel;
 FIG. 2 is a rear perspective view of the wheel;
 FIG. 3 is a front view of the wheel;
 FIG. 4 is a rear view of the wheel;
 FIG. 5 is a left side view of the wheel;
 FIG. 6 is a right side view of the wheel;
 FIG. 7 is a top view of the wheel; and,
 FIG. 8 is a bottom view of the wheel.
 The broken lines in the drawings depict environmental sub-
 ject matter only and form no part of the claimed design.

1 Claim, 8 Drawing Sheets



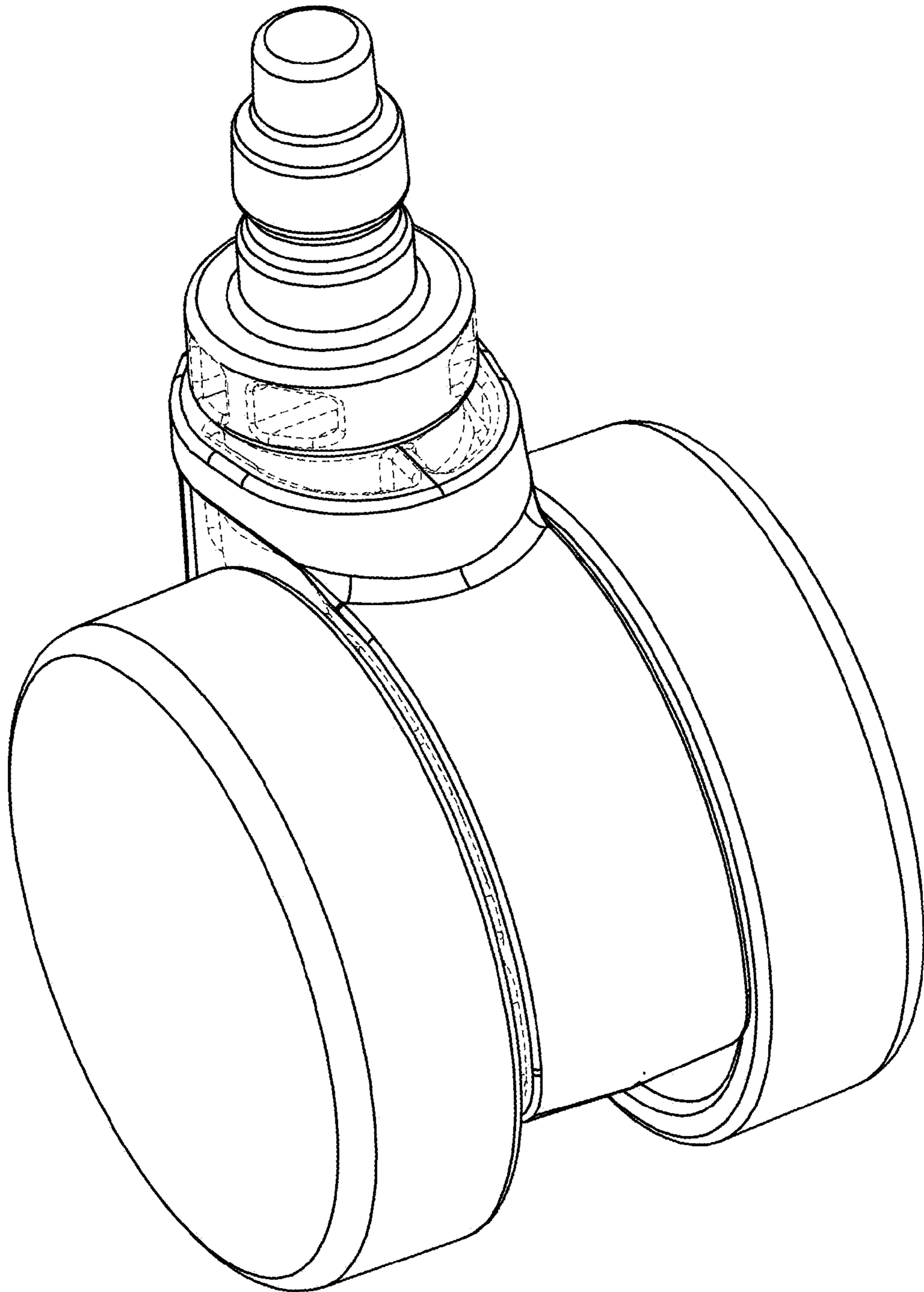


FIG. 1

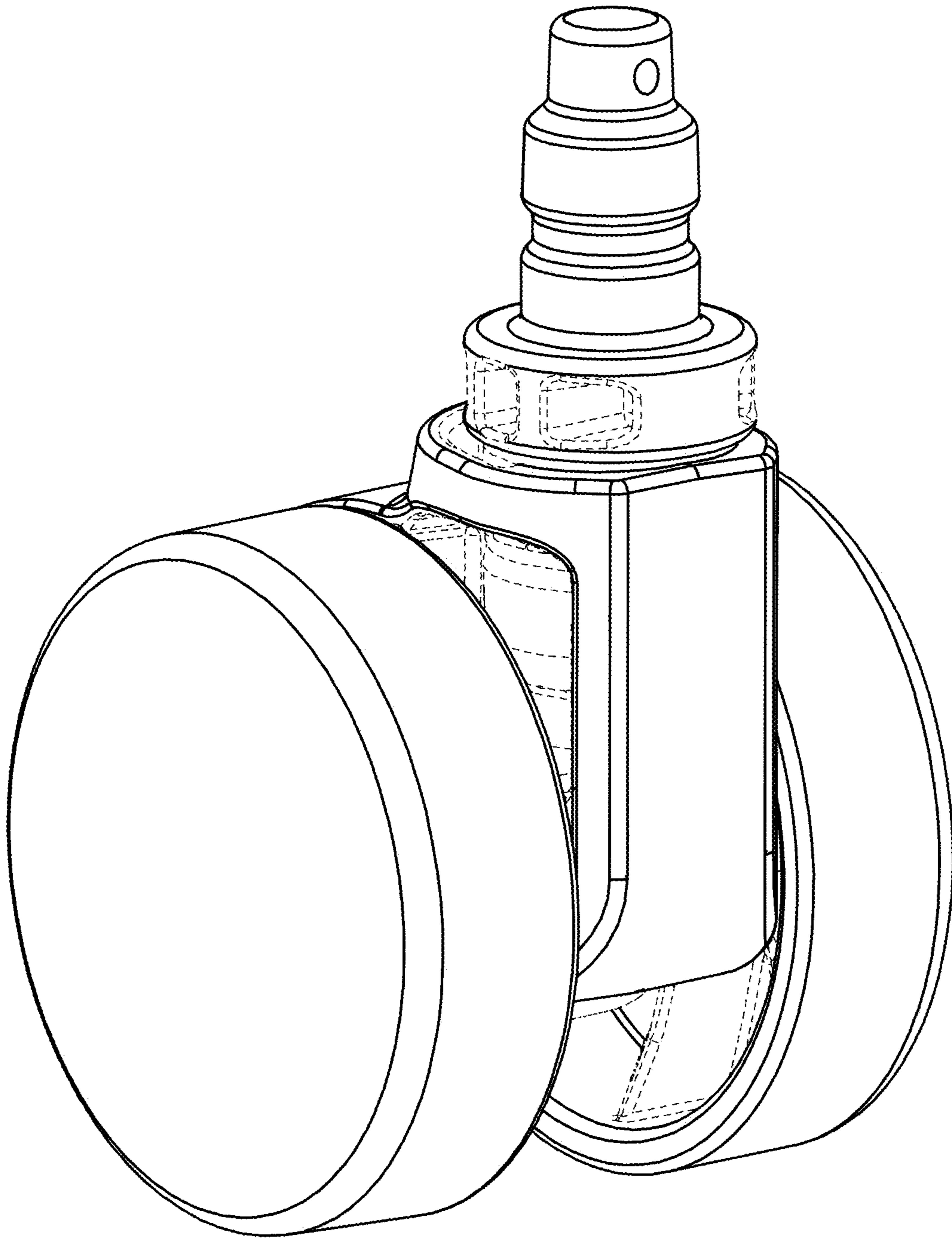


FIG. 2

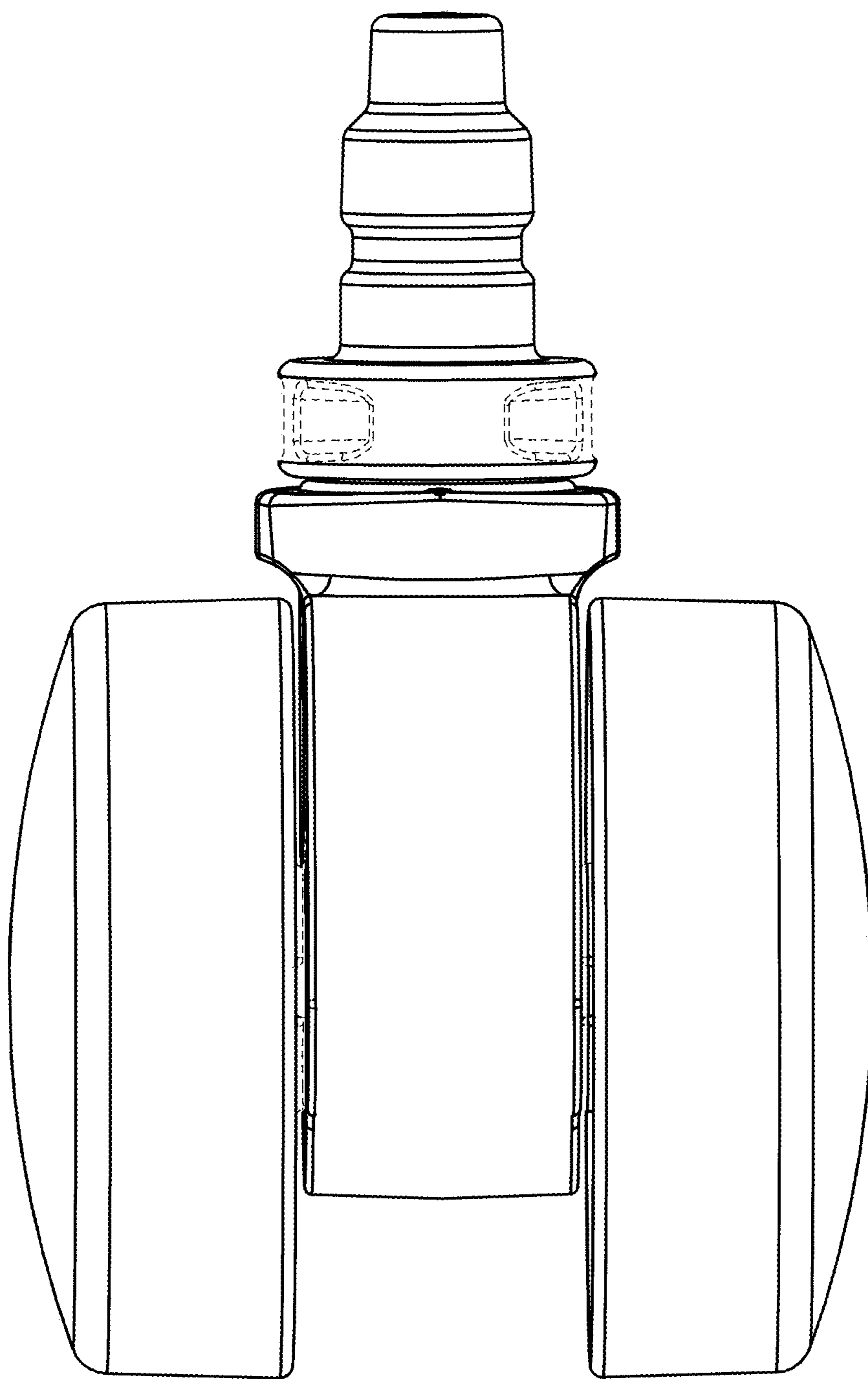


FIG. 3

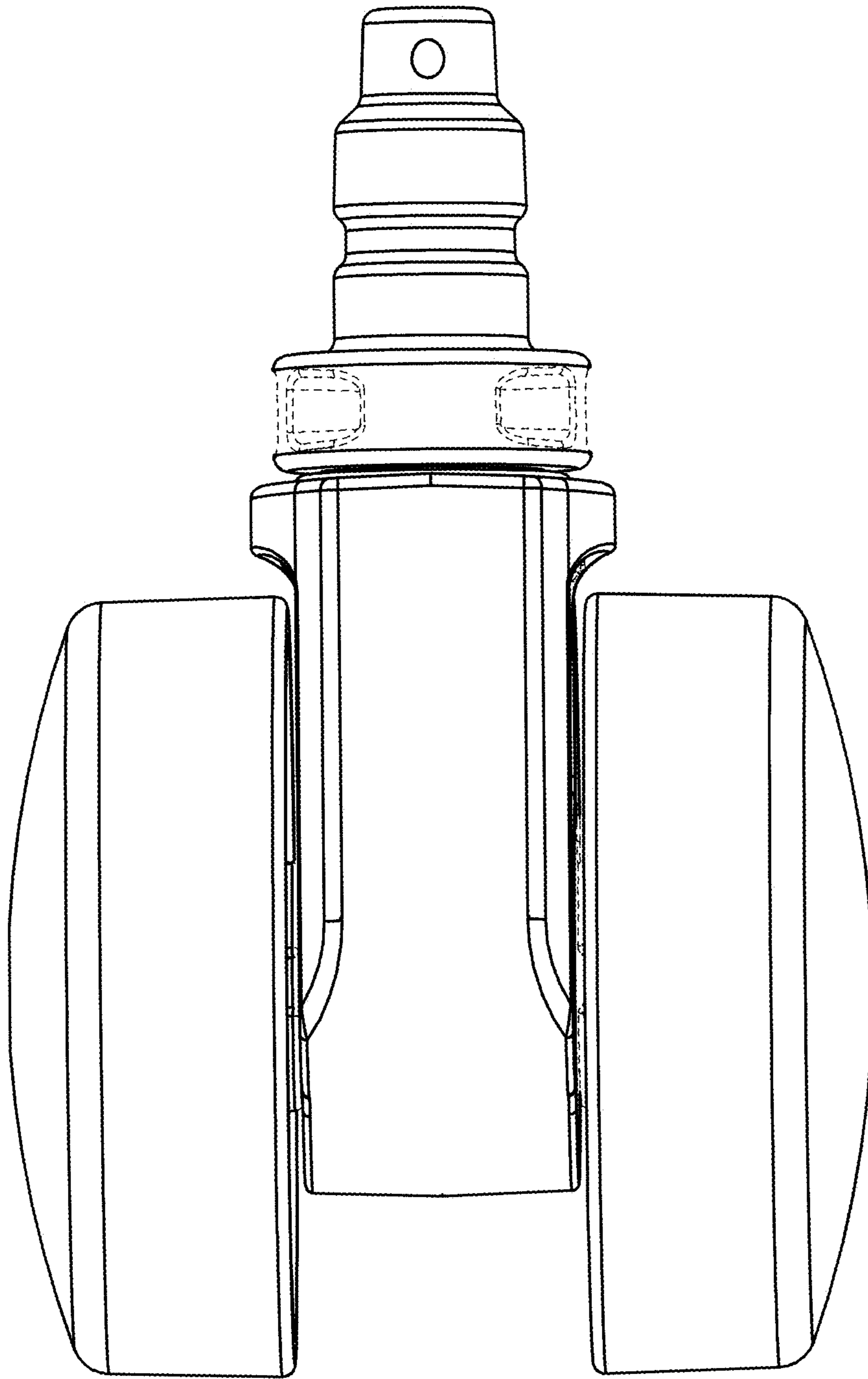


FIG. 4

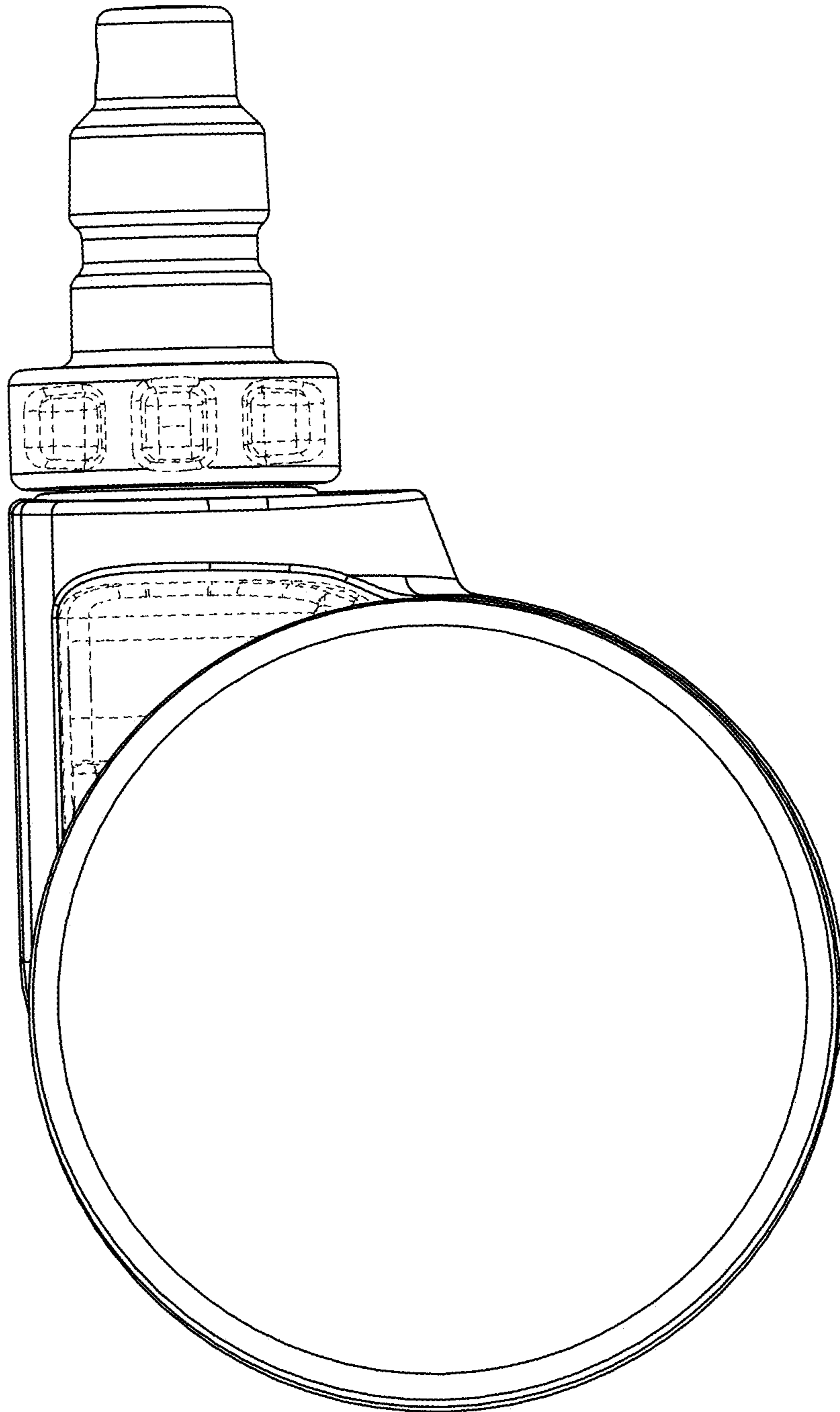


FIG. 5

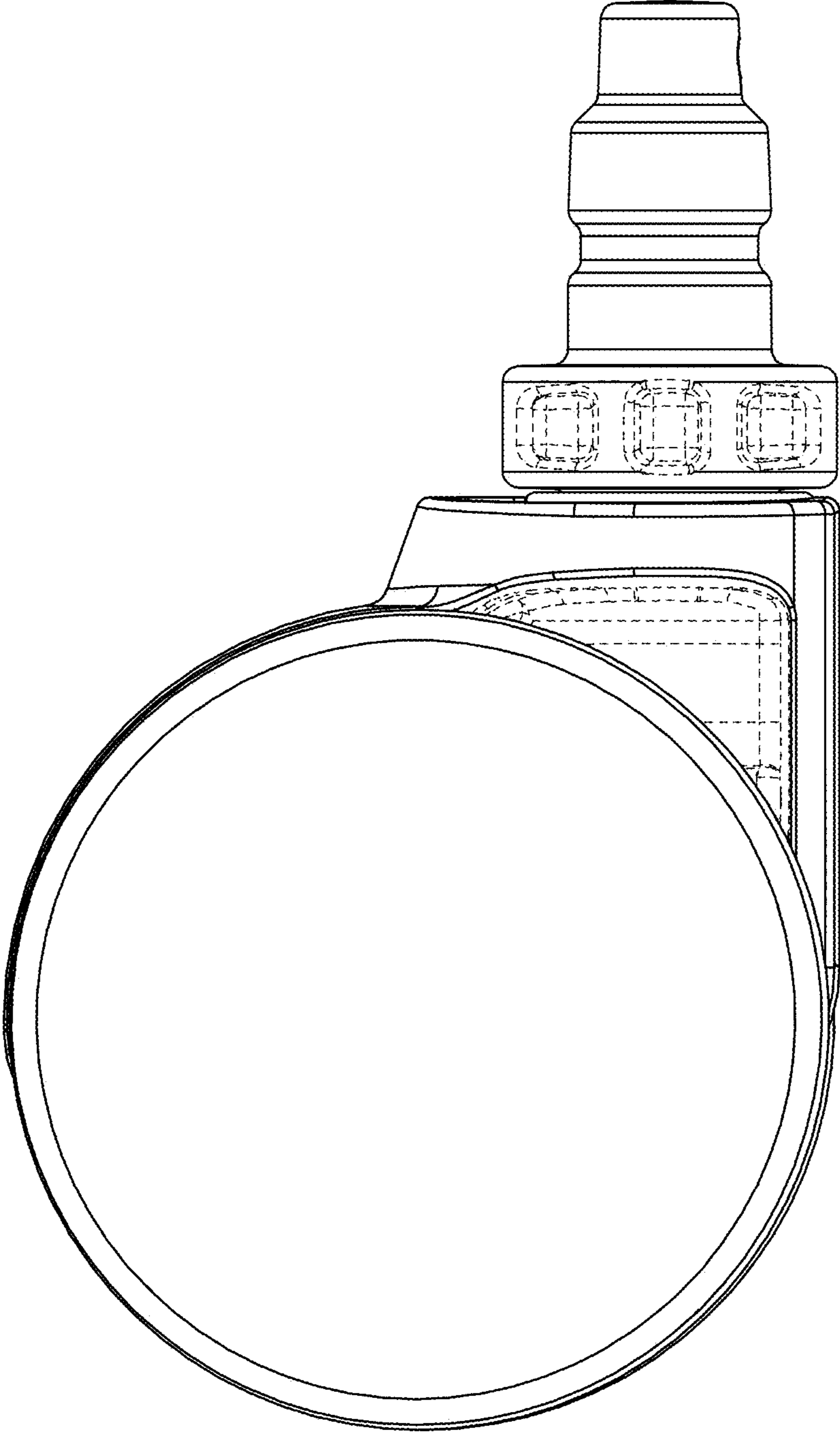


FIG. 6

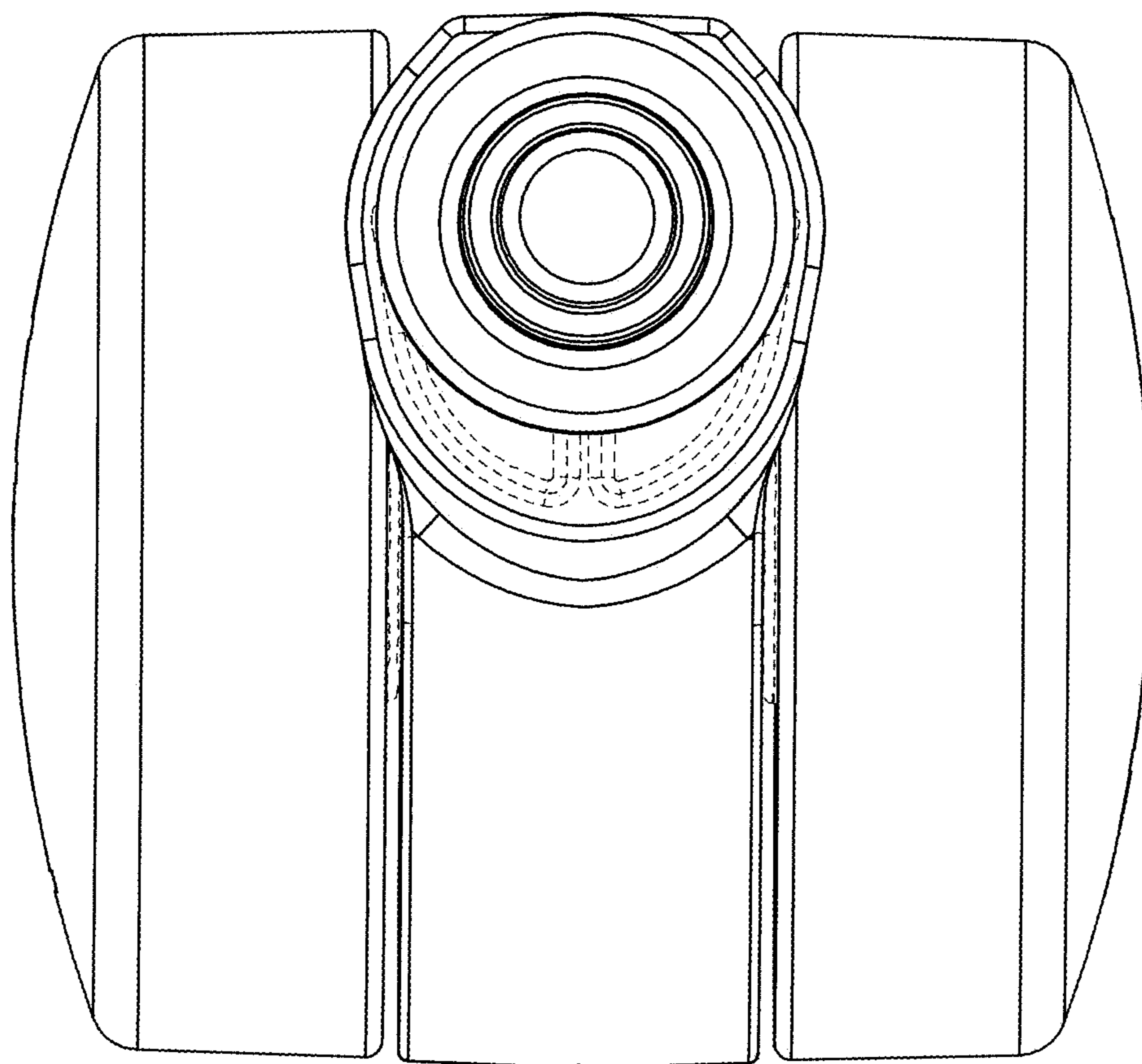


FIG. 7

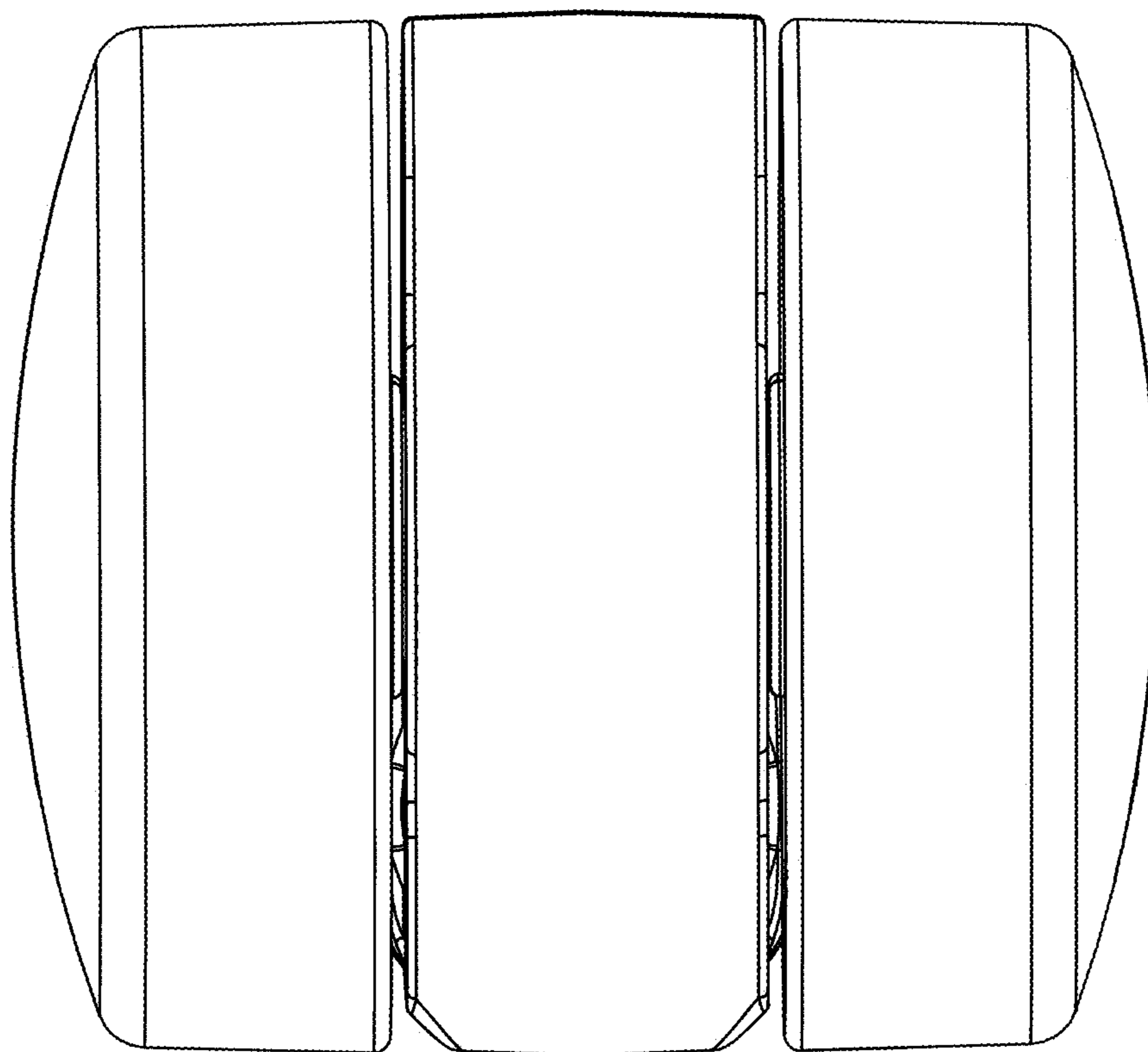


FIG. 8