



US00D731876S

(12) **United States Design Patent**
Di Stefano

(10) **Patent No.:** **US D731,876 S**
(45) **Date of Patent:** **** Jun. 16, 2015**

(54) **BRACKET FOR CURTAINS AND BLINDS**

(56) **References Cited**

(71) Applicant: **Carmelo Joseph Licciardi Di Stefano**,
Broadmeadows (AU)

U.S. PATENT DOCUMENTS

(72) Inventor: **Carmelo Joseph Licciardi Di Stefano**,
Broadmeadows (AU)

D223,082	S	*	3/1972	Fromm	D8/354
D256,663	S	*	9/1980	Gilb	D8/354
D265,051	S	*	6/1982	Hentzschel et al.	D8/354
D322,211	S	*	12/1991	Gary	D8/373
D327,214	S	*	6/1992	Stuart	D8/373
D348,386	S	*	7/1994	Cogburn	D8/373
D387,970	S	*	12/1997	Enslin	D8/349
D410,381	S	*	6/1999	Johnson, III	D8/403
D451,786	S	*	12/2001	Wyatt et al.	D8/354
D529,792	S	*	10/2006	Klein et al.	D8/373
D560,115	S	*	1/2008	Peyridieu et al.	D8/373
D684,033	S	*	6/2013	Preda	D8/354

(73) Assignee: **Acmeda Pty Ltd**, Broadmeadows, VIC
(AU)

(**) Term: **14 Years**

(21) Appl. No.: **29/451,968**

* cited by examiner

(22) Filed: **Apr. 10, 2013**

Primary Examiner — Robert M Spear

Assistant Examiner — Eliza Bennett-Hattan

(30) **Foreign Application Priority Data**

Oct. 11, 2012 (AU) 15047/2012

(74) *Attorney, Agent, or Firm* — Head, Johnson & Kachigian, P.C.

(51) **LOC (10) Cl.** **08-05**

(57) **CLAIM**

(52) **U.S. Cl.**
USPC **D8/363**

The ornamental design for a bracket for curtains and blinds, as shown and described.

(58) **Field of Classification Search**

DESCRIPTION

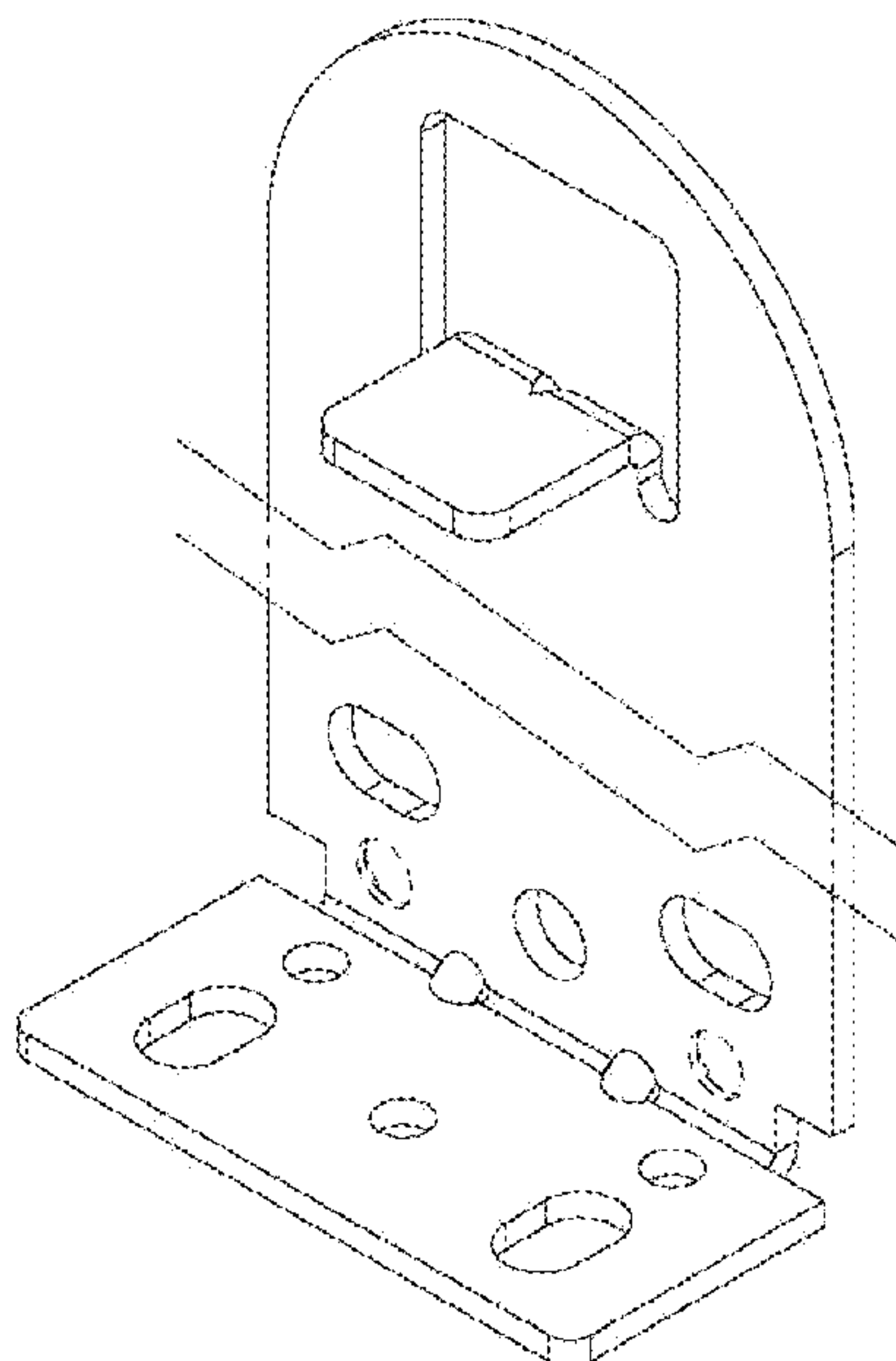
USPC D8/363, 381, 380, 382, 356, 358, 359,
D8/19, 16, 45, 396, 72, 73, 18, 366, 373;
242/395, 405.3, 405.2, 118.7, 542.4,
242/160.4, 366, 400, 370, 400.1; D3/24,
D3/207, 212; D15/16; D10/61, 62; 33/414,
33/413, 382; 248/313, 61, 231.81, 675,
248/674, 264; 16/257; 81/3.27, 3.55;
D6/325, 580; 254/397; 160/370;
114/101, 200; D12/162, 223; D9/501,
D9/503, 504, 416, 423; D20/43; D19/3;
D5/11, 47

FIG. 1 is a front view of the bracket for curtains and blinds;
FIG. 2 is a right side view thereof with the left side view being
a mirror image thereof;
FIG. 3 is a rear view thereof;
FIG. 4 is a bottom view thereof;
FIG. 5 is a top view thereof; and,
FIG. 6 is a perspective view thereof.

The bracket for curtains and blinds is shown with a symbolic
break in its length. The appearance of any portion of the
article between the break lines forms no part of the claimed
design.

See application file for complete search history.

1 Claim, 3 Drawing Sheets



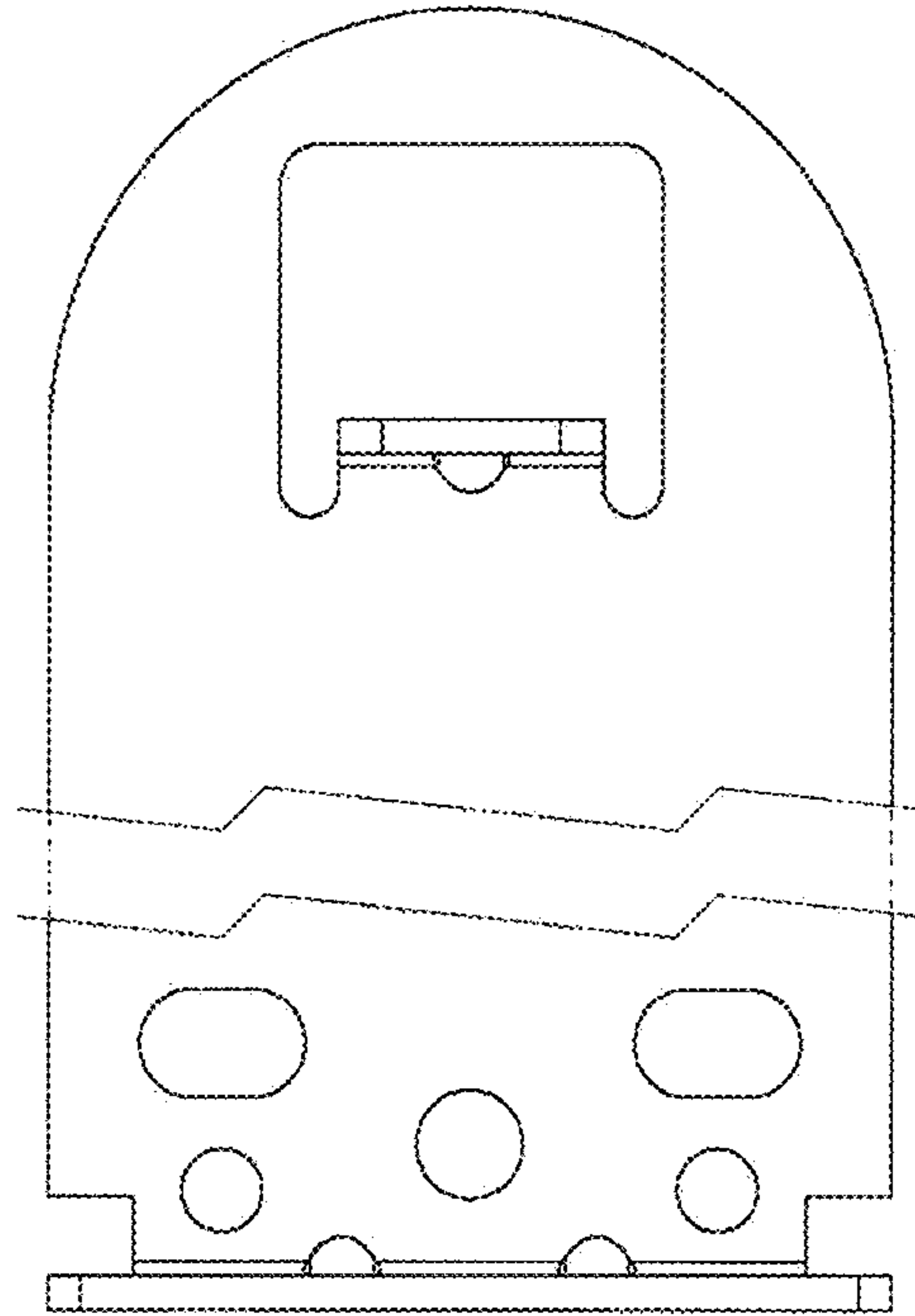


Figure 1

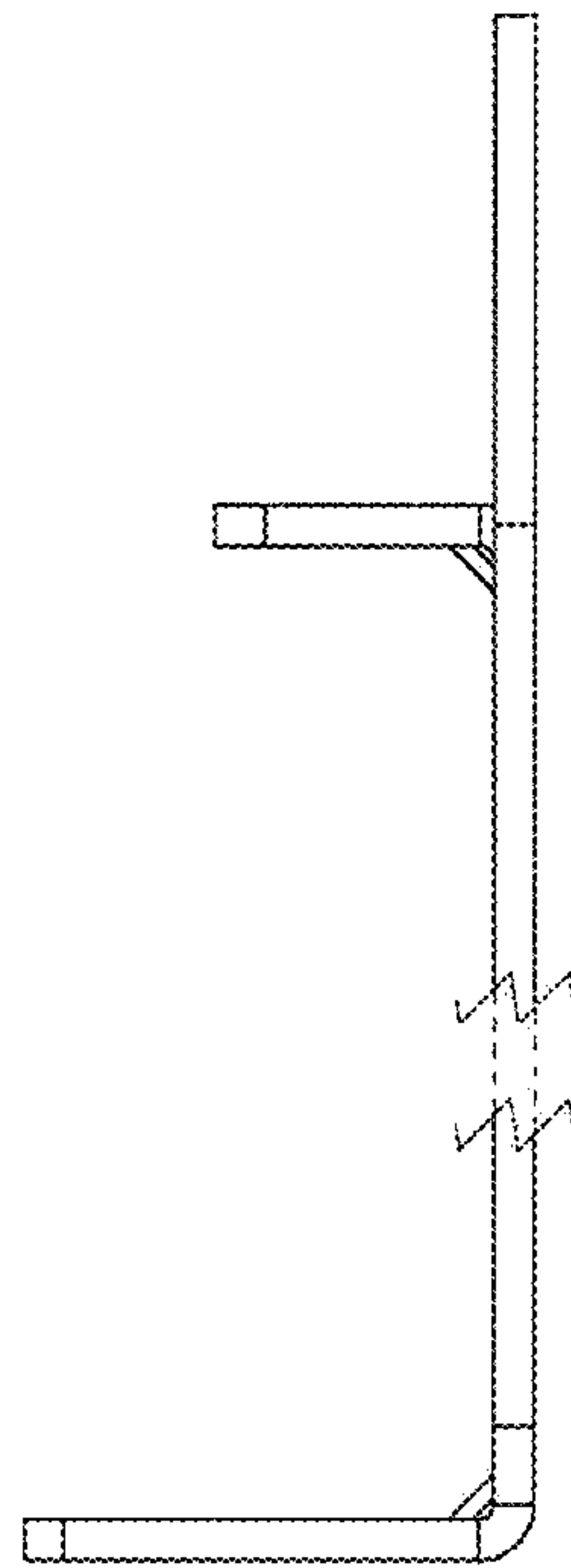


Figure 2

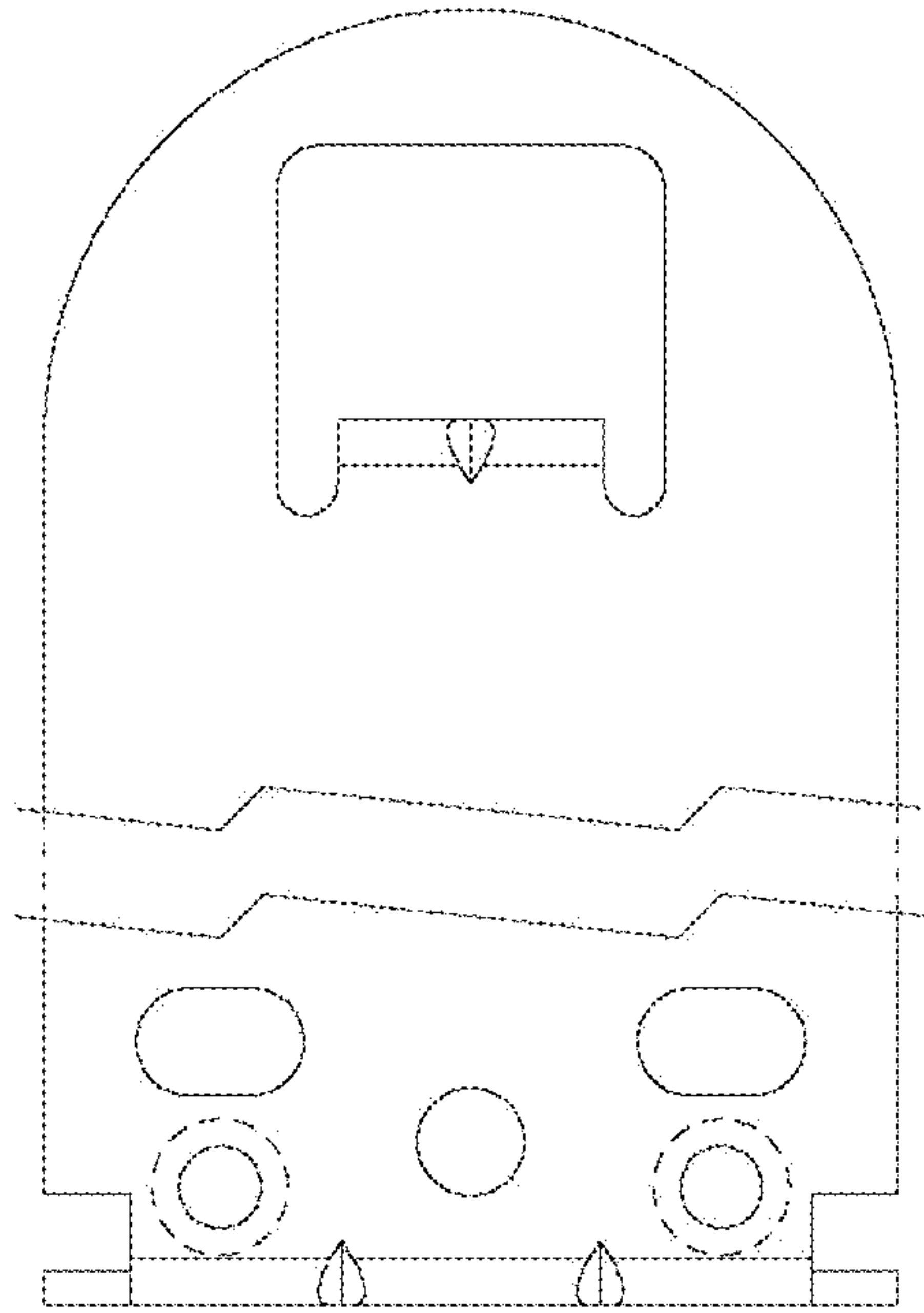


Figure 3

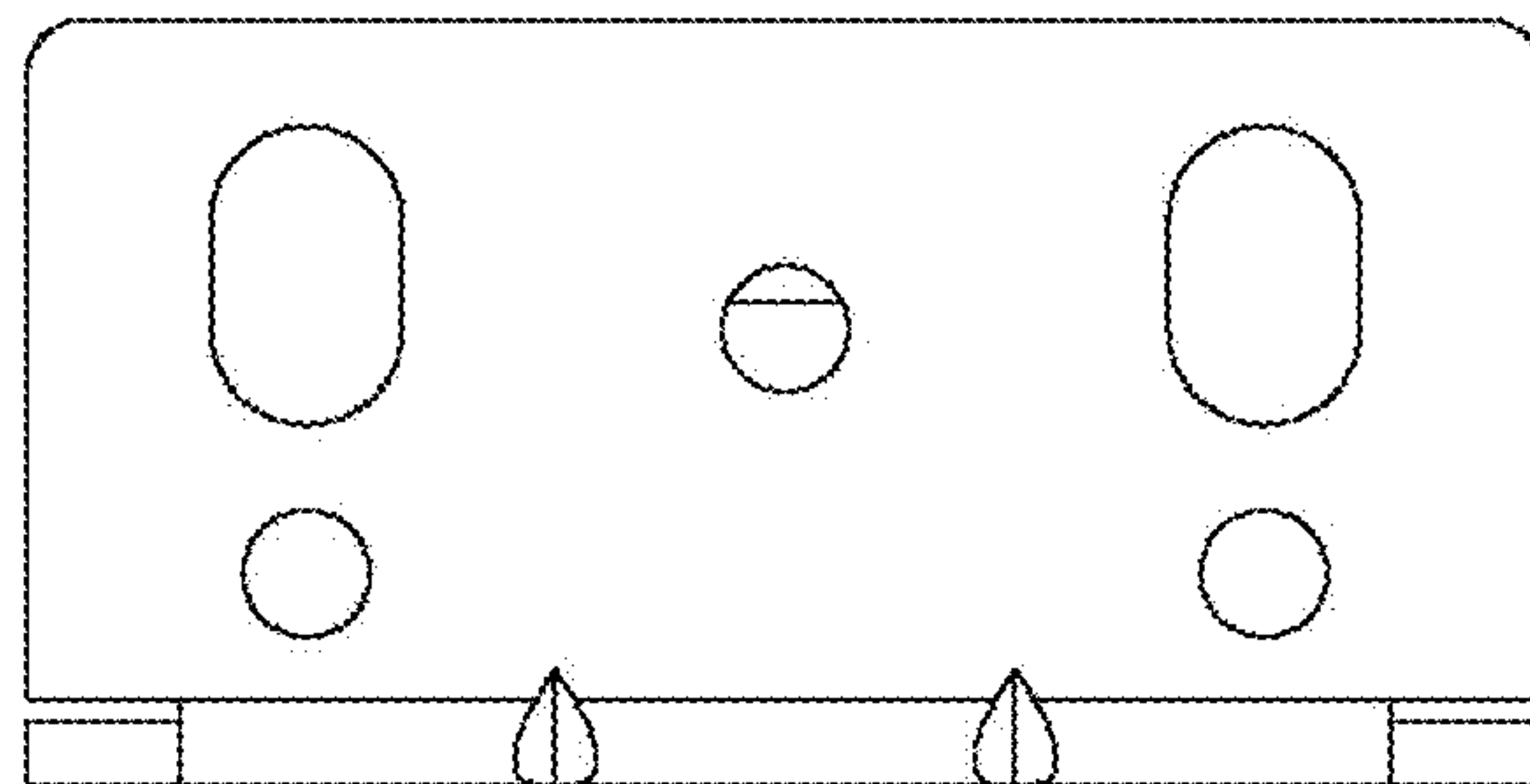


Figure 4

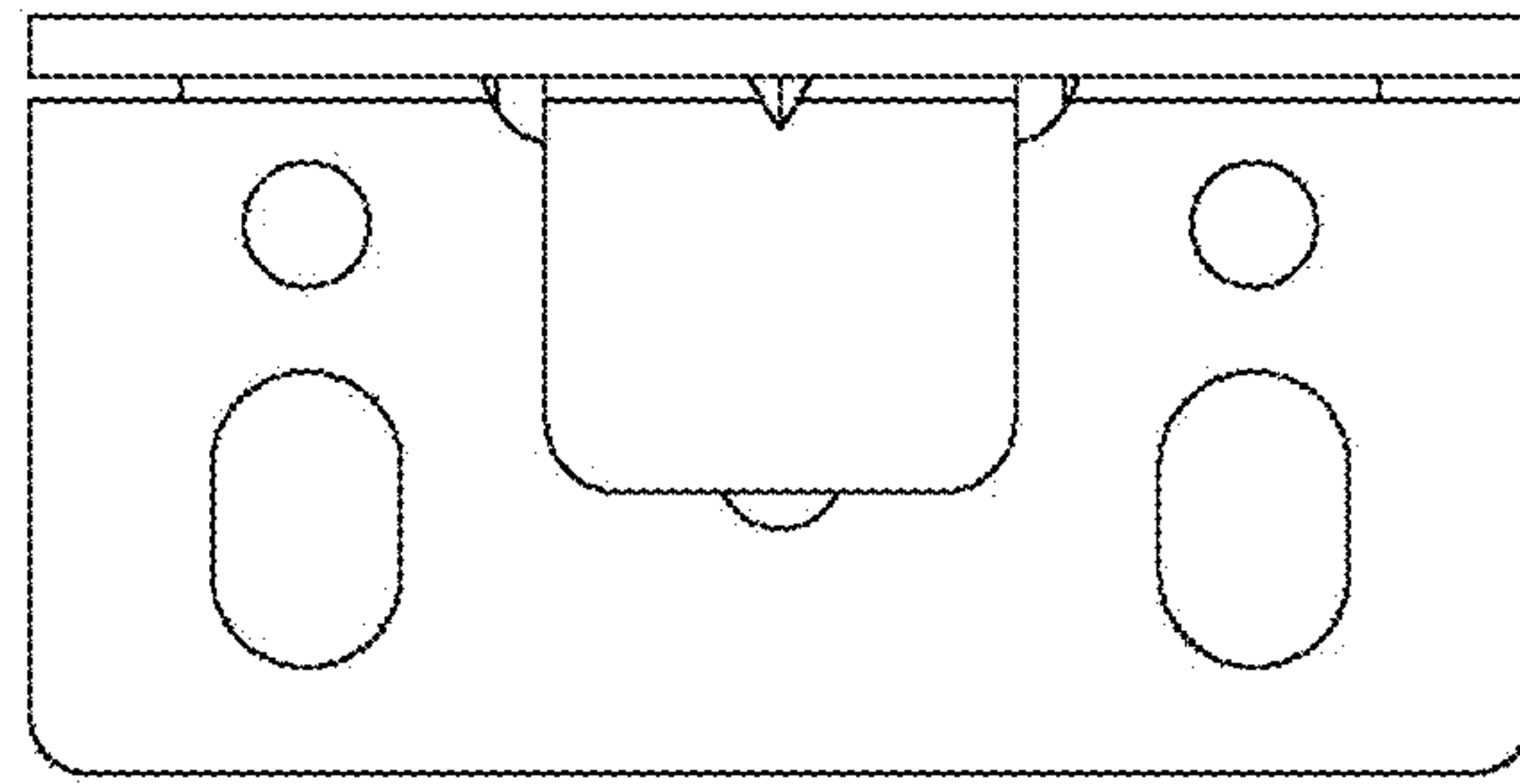


Figure 5

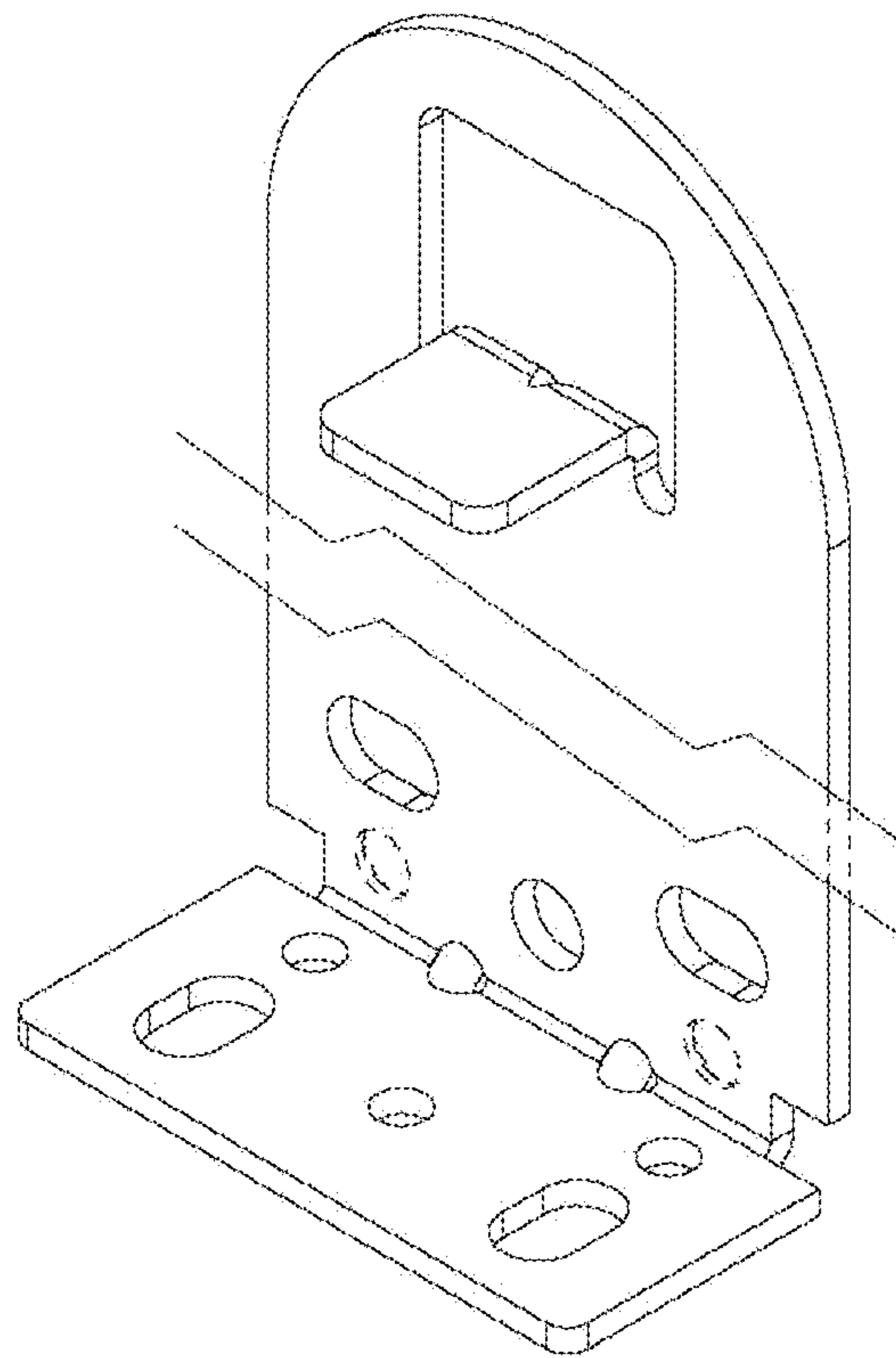


Figure 6