



US00D731874S

(12) **United States Design Patent**
Lin

(10) **Patent No.:** **US D731,874 S**
(45) **Date of Patent:** **** Jun. 16, 2015**

- (54) **CONNECTOR OF MOLD**
- (71) Applicant: **Chien-Chih Lin**, Changhua County (TW)
- (72) Inventor: **Chien-Chih Lin**, Changhua County (TW)
- (73) Assignee: **CHERNG JIN TECHNOLOGY CO., LTD.**, Changhua County (TW)
- (**) Term: **14 Years**
- (21) Appl. No.: **29/437,881**
- (22) Filed: **Nov. 21, 2012**
- (51) **LOC (10) Cl.** **08-08**
- (52) **U.S. Cl.**
USPC **D8/349; D8/382**
- (58) **Field of Classification Search**
USPC **D8/349, 382; D13/133; 403/403, 205, 403/231, 170, 172, 316**
See application file for complete search history.

- D427,050 S * 6/2000 Bryan D8/382
- D467,790 S * 12/2002 Roberts et al. D8/356
- D494,054 S * 8/2004 Mine et al. D8/382
- D504,304 S * 4/2005 Hancock D8/354
- D583,224 S * 12/2008 Holdsworth D8/382
- D588,445 S * 3/2009 Holdsworth D8/382
- D615,847 S * 5/2010 Tezak et al. D8/349
- 8,147,162 B1 * 4/2012 Burnett et al. 403/292
- D683,467 S * 5/2013 Jensen et al. D24/227
- D703,031 S * 4/2014 Thach D8/382

* cited by examiner

Primary Examiner — Mark Goodwin

(74) *Attorney, Agent, or Firm* — Ming Chow; Sinorica, LLC

(57) **CLAIM**

The ornamental design for a connector of mold, as shown and described.

DESCRIPTION

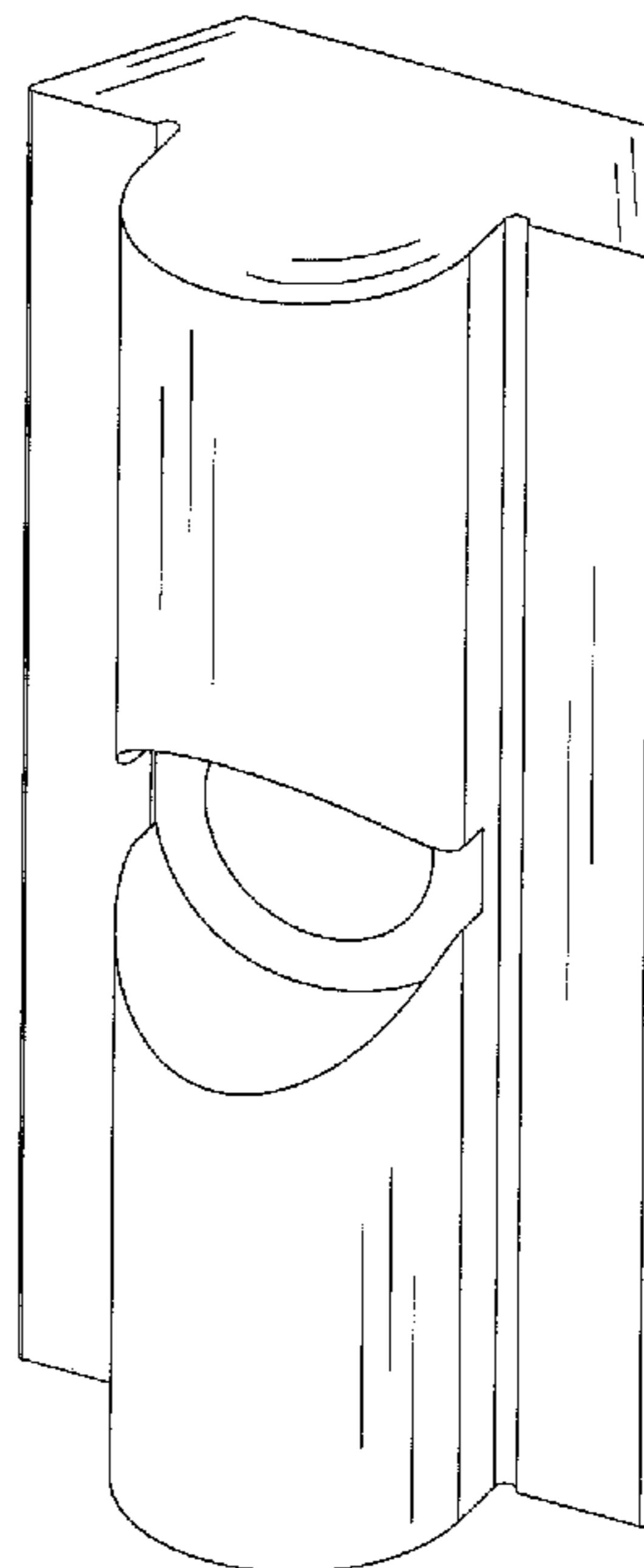
FIG. 1 is a perspective view of a connector of mold showing my new design;
 FIG. 2 is a right side view thereof;
 FIG. 3 is a top view thereof;
 FIG. 4 is a front view thereof;
 FIG. 5 is a bottom view thereof;
 FIG. 6 is a left side view thereof;
 FIG. 7 is a rear view thereof; and,
 FIG. 8 is a perspective view thereof showing the connector in use condition mounted on a mold.
 The broken line showing of a mold and the extra connectors is included for the purpose of illustrating environmental structure only and forms no part of the claimed design.

1 Claim, 8 Drawing Sheets

(56) **References Cited**

U.S. PATENT DOCUMENTS

- D234,811 S * 4/1975 Stentz D26/67
- D234,812 S * 4/1975 Stentz D26/67
- D234,813 S * 4/1975 Stentz D26/67
- 3,999,876 A * 12/1976 Manchester, Jr. 403/316
- D312,645 S * 12/1990 Moller et al. D15/136
- D317,927 S * 7/1991 Kern D15/135
- D371,504 S * 7/1996 Massie D8/349
- D384,271 S * 9/1997 Kozyrski D8/382
- D400,428 S * 11/1998 Sabounjian D8/382
- D404,996 S * 2/1999 Ross D8/382



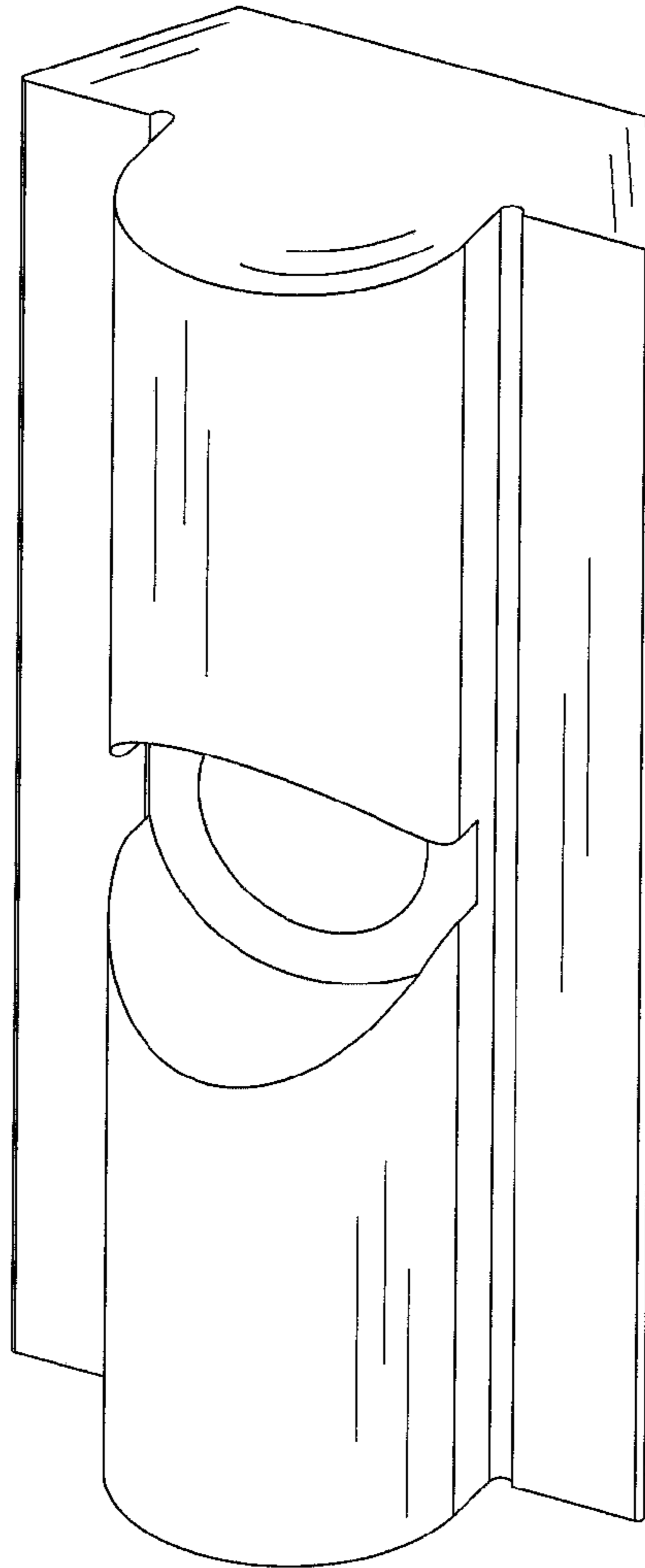


FIG. 1

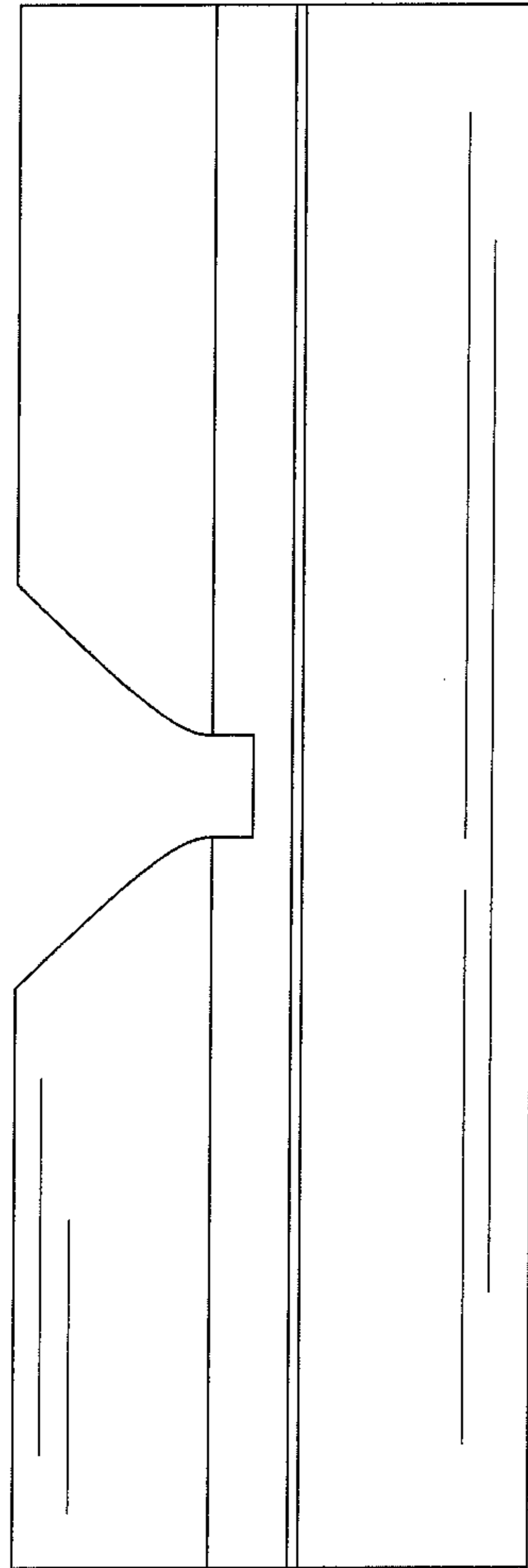


FIG. 2

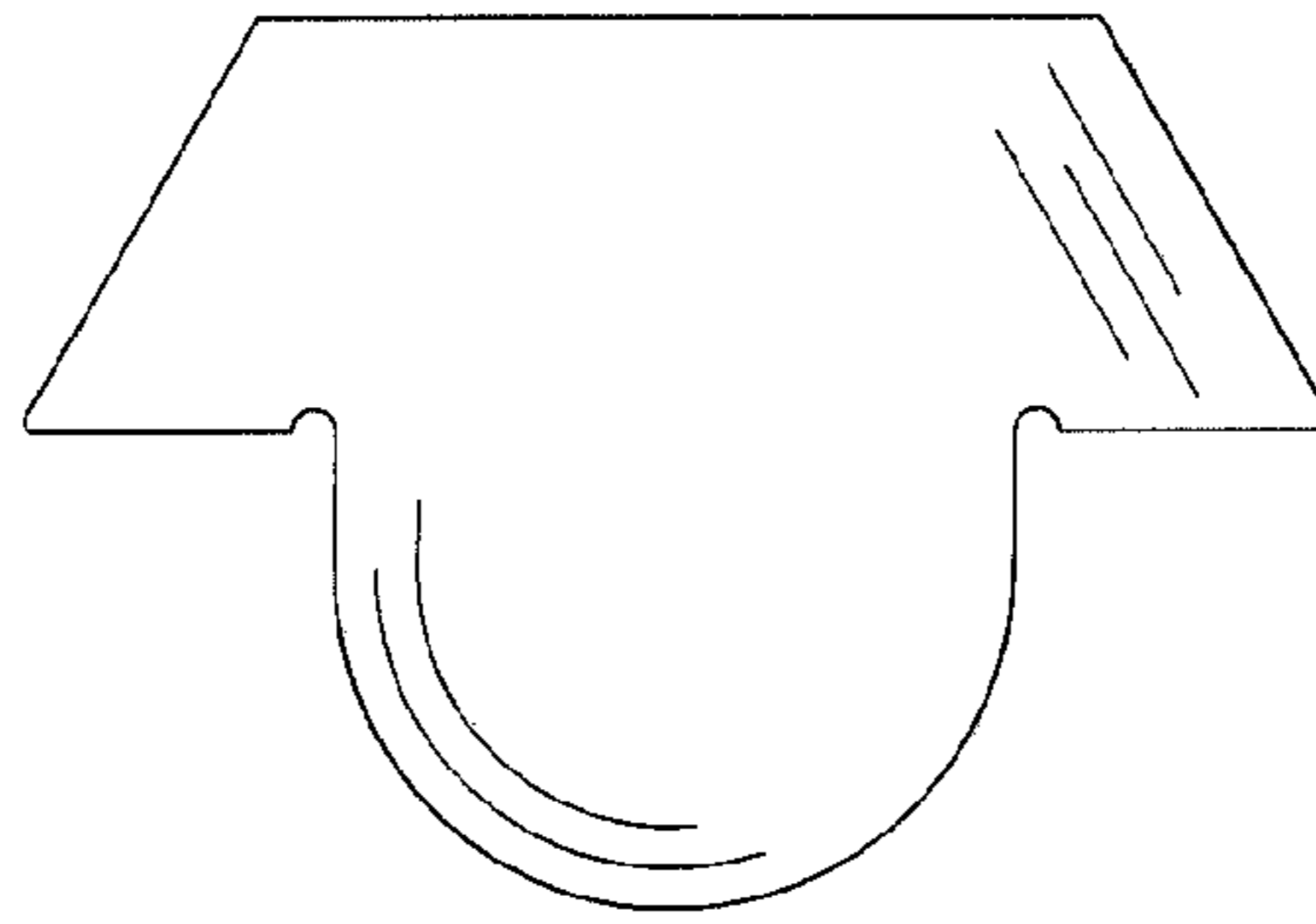


FIG. 3

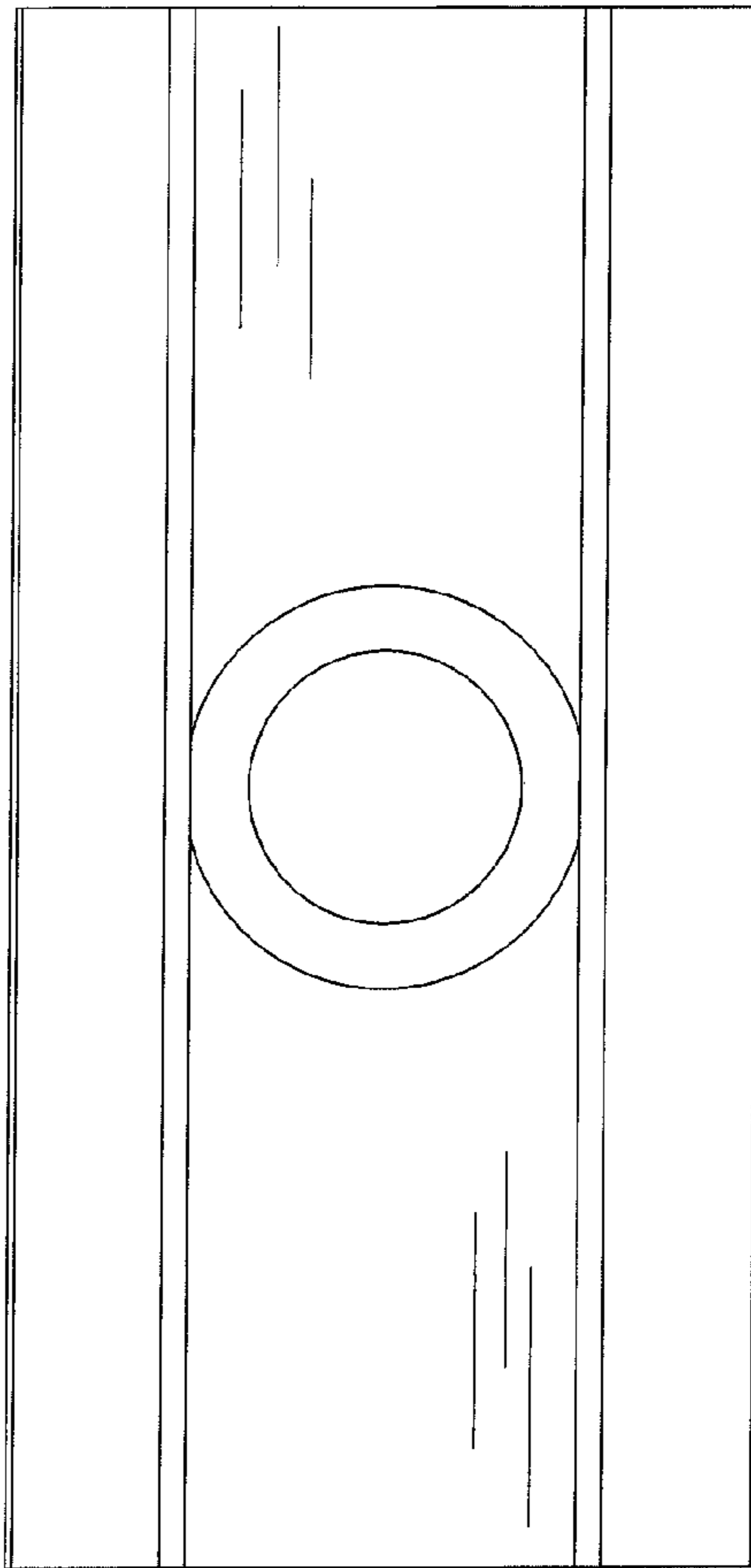


FIG. 4

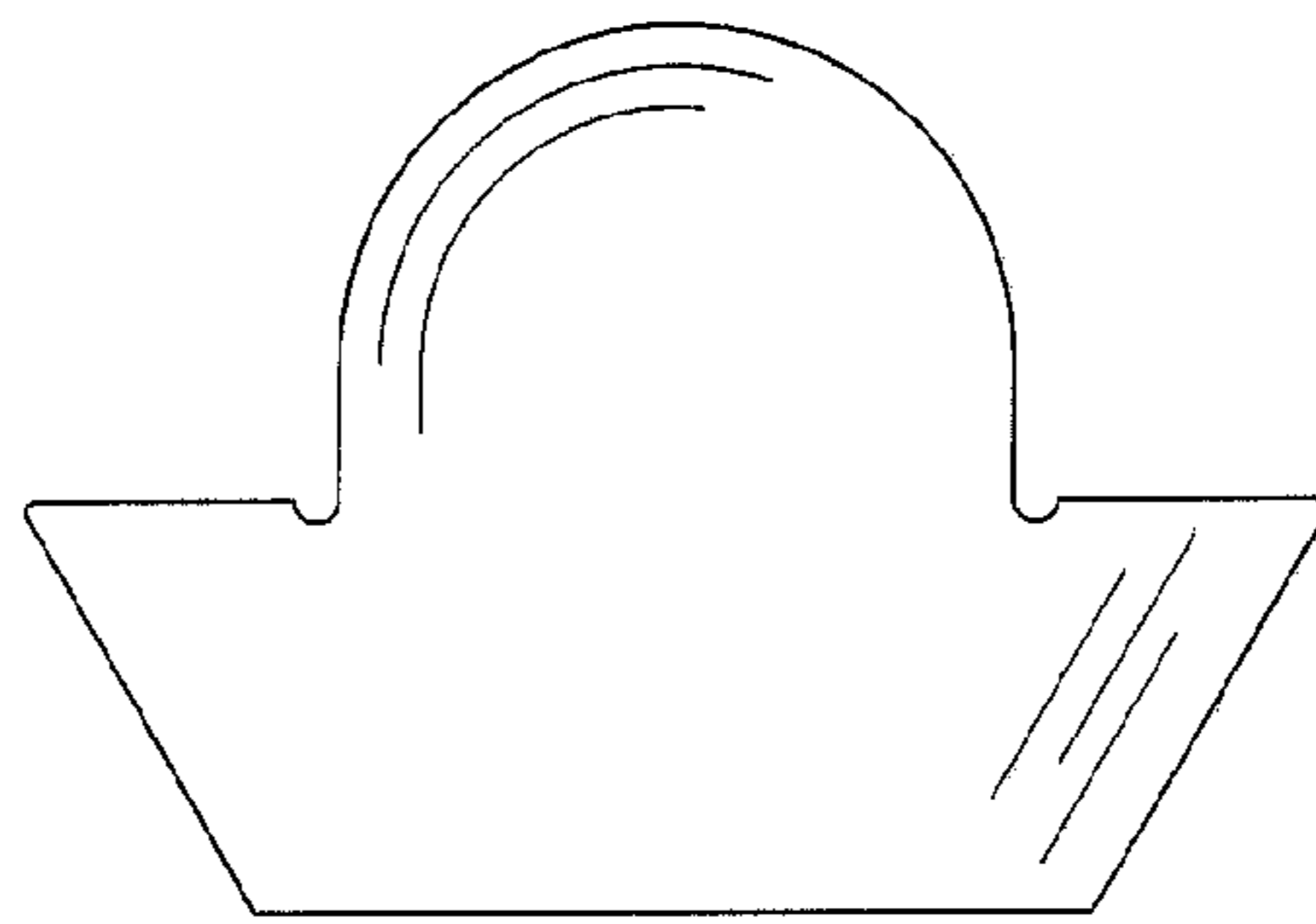


FIG. 5

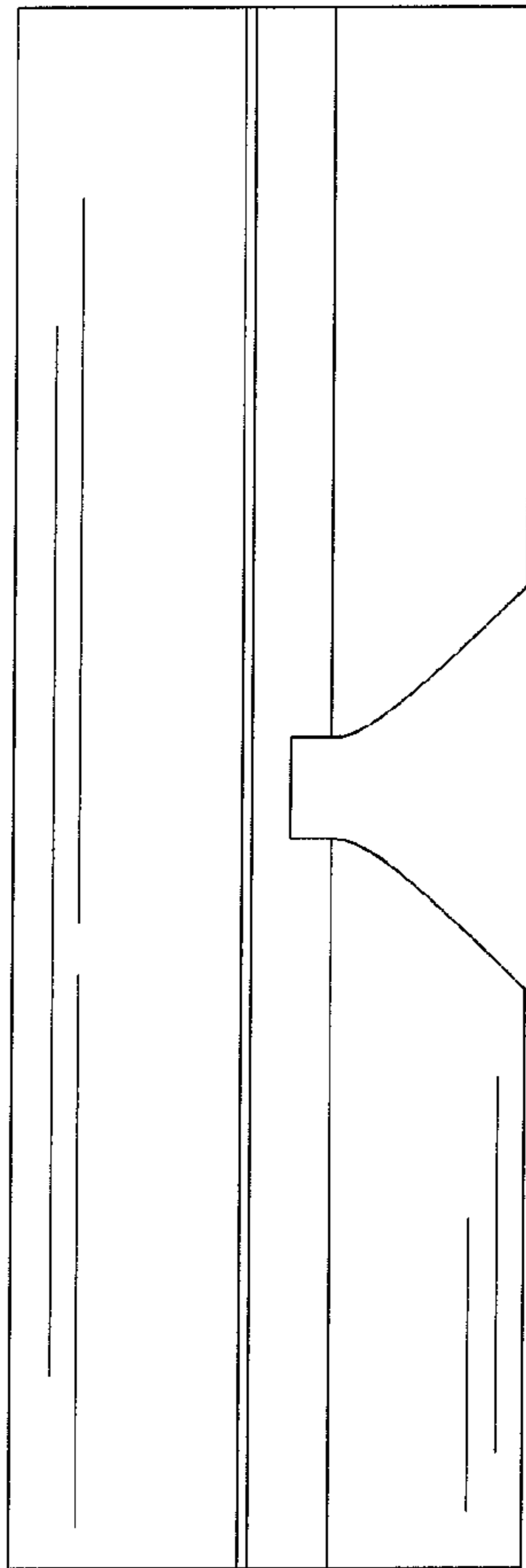


FIG. 6

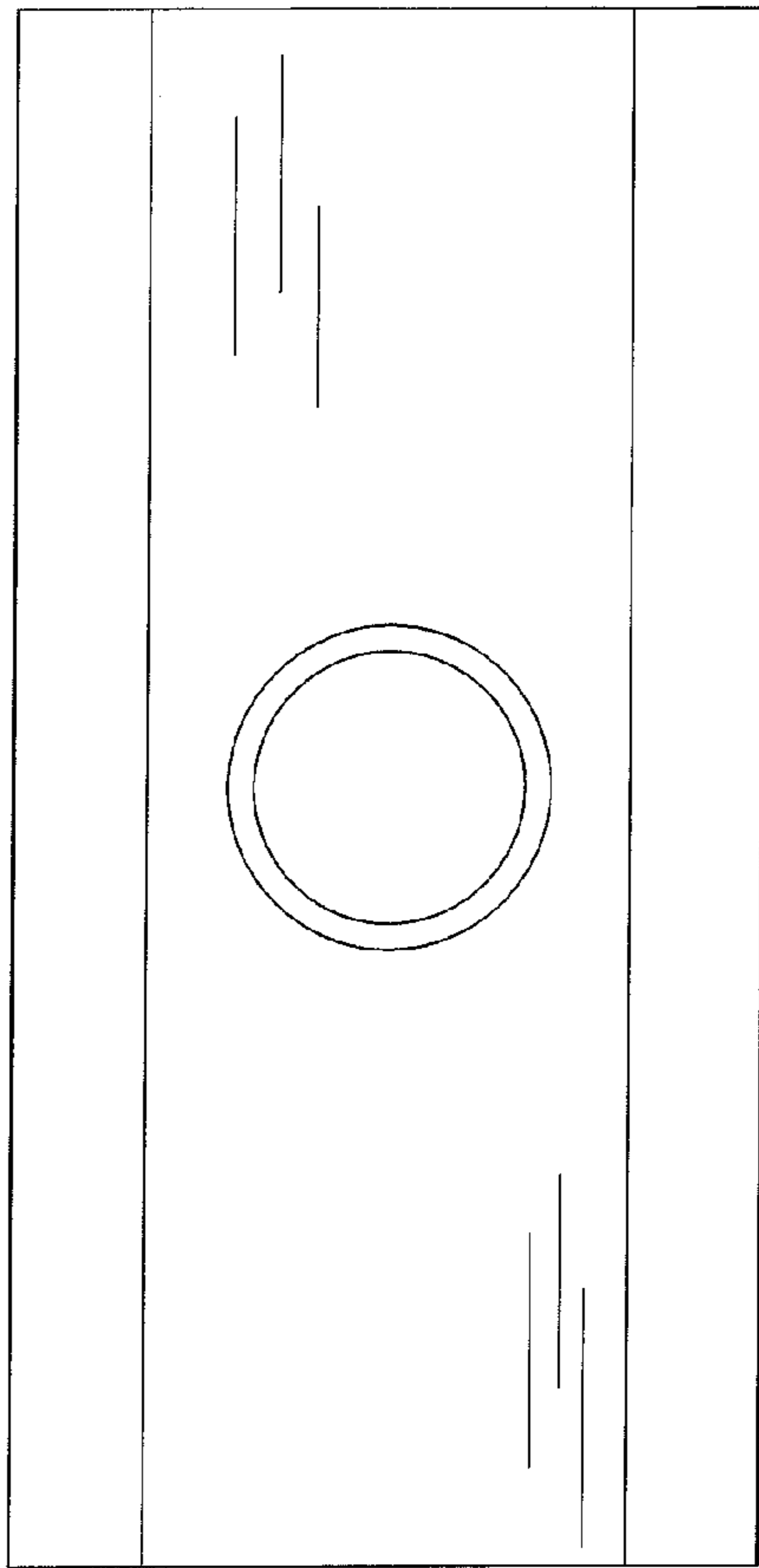


FIG. 7

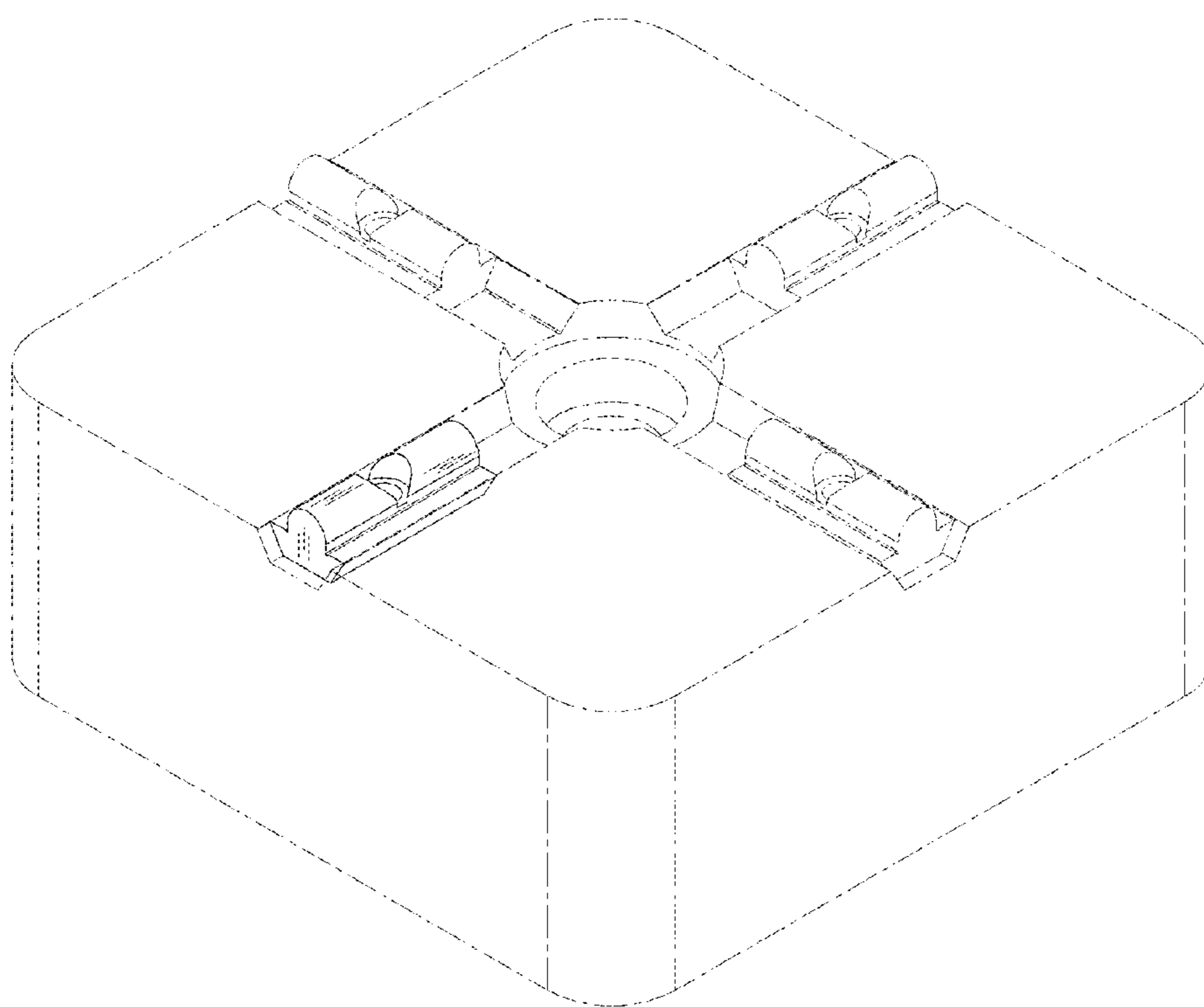


FIG. 8