



US00D731872S

(12) **United States Design Patent**  
**White**

(10) **Patent No.:** **US D731,872 S**  
(45) **Date of Patent:** **\*\* Jun. 16, 2015**

(54) **PADLOCKABLE COLLARS FOR PROTECTIVELY SURROUNDING AND LIMITING ACCESS TO PORTIONS OF THREADED FASTENERS**

**DESCRIPTION**

(71) Applicant: **Franklin B White**, Ft. Pierce, FL (US)  
(72) Inventor: **Franklin B White**, Ft. Pierce, FL (US)  
(\*\*) Term: **14 Years**  
(21) Appl. No.: **29/463,908**  
(22) Filed: **Apr. 2, 2014**  
(51) **LOC (10) Cl.** ..... **08-07**  
(52) **U.S. Cl.**  
USPC ..... **D8/343; D8/331**  
(58) **Field of Classification Search**  
USPC ..... D8/330, 331, 343, 346, 398, 394, 449,  
D8/382; 70/57, 57.1, 51-56, 416, 485,  
70/486, 445, 419, 431, 422, 158, DIG. 43,  
70/DIG. 56, 160, 164, 167, 465; 292/205,  
292/261, 281, 298, 307 B, DIG. 65  
CPC ..... E05B 67/38; E05B 17/002; E05B 67/04  
See application file for complete search history.

FIG. 1 is a perspective view of padlockable collars for protectively surrounding and limiting access to portions of threaded fasteners showing my new design;  
FIG. 2 is a front elevational view thereof;  
FIG. 3 is a rear elevational view thereof;  
FIG. 4 is a top plan view thereof, the bottom plan view being a mirror image thereof;  
FIG. 5 is a right side elevational view thereof, the left side elevational view being a mirror image thereof;  
FIG. 6 is a perspective view of a second embodiment of FIG. 1;  
FIG. 7 is a front elevational view of FIG. 6;  
FIG. 8 is a rear elevational view of FIG. 6;  
FIG. 9 is a top plan view of FIG. 6 thereof, the bottom plan view being a mirror image thereof;  
FIG. 10 is a right side elevational view of FIG. 6 thereof, the left side elevational view being a mirror image thereof;  
FIG. 11 is a perspective view of a third embodiment of FIG. 1;  
FIG. 12 is a front elevational view of FIG. 11;  
FIG. 13 is a rear elevational view of FIG. 11;  
FIG. 14 is a top plan view of FIG. 11 thereof, the bottom plan view being a mirror image thereof;  
FIG. 15 is a right side elevational view of FIG. 11 thereof, the left side elevational view being a mirror image thereof;  
FIG. 16 is a perspective view of a fourth embodiment of FIG. 1;  
FIG. 17 is a front elevational view of FIG. 16;  
FIG. 18 is a rear elevational view of FIG. 16;  
FIG. 19 is a top plan view of FIG. 16 thereof, the bottom plan view being a mirror image thereof; and,  
FIG. 20 is a right side elevational view of FIG. 16 thereof, the left side elevational view being a mirror image thereof.  
The broken lines indicate unclaimed subject matter and form no part of the claimed design. The broken away symbols in the drawing indicate the appearance of any portion of the article between the break lines forms no part of the claimed design.

(56) **References Cited**

**U.S. PATENT DOCUMENTS**

2,752,440	A	6/1956	Robbins et al.	200/43.13
3,283,608	A *	11/1966	Davis et al.	74/527
3,321,589	A	5/1967	Persia et al.	200/43.08
3,572,062	A	3/1971	Beebe	70/1.5

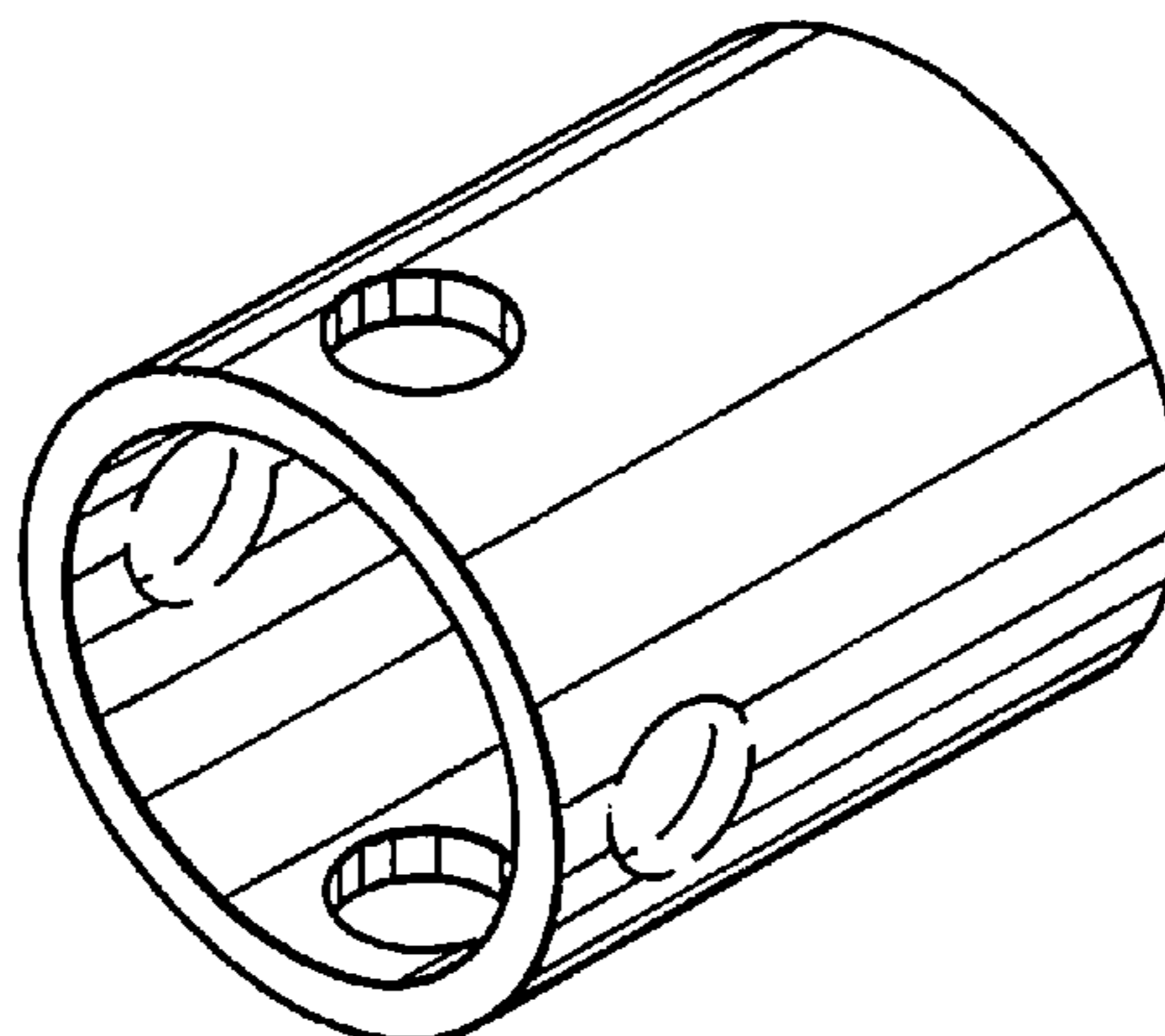
(Continued)

*Primary Examiner* — Prabhakar Deshmukh  
(74) *Attorney, Agent, or Firm* — David A. Burge

(57) **CLAIM**

I claim the ornamental design for padlockable collars for protectively surrounding and limiting access to portions of threaded fasteners, as shown and described.

**1 Claim, 4 Drawing Sheets**



(56)

**References Cited**

U.S. PATENT DOCUMENTS

4,047,686 A 9/1977 Porter ..... 248/552  
5,092,143 A \* 3/1992 Rumbles ..... 70/56  
5,277,599 A \* 1/1994 Nilson ..... 439/133  
5,425,256 A \* 6/1995 Crosby ..... 70/209  
5,497,416 A \* 3/1996 Butler et al. .... 379/413.04  
D379,059 S \* 5/1997 Turner ..... D8/346  
D384,267 S \* 9/1997 Giles ..... D8/346

D391,469 S \* 3/1998 Foushee ..... D8/346  
5,743,116 A 4/1998 Suster ..... 70/14  
5,808,292 A \* 9/1998 Iddan ..... 250/203.1  
D406,045 S \* 2/1999 Turner ..... D8/346  
6,032,989 A 3/2000 DeWalch et al. .... 292/256.6  
6,182,479 B1 2/2001 Daoud ..... 70/2  
6,972,387 B2 12/2005 Berthaud ..... 200/43.13  
D578,376 S \* 10/2008 Barton ..... D8/346  
D630,492 S \* 1/2011 Faulkner ..... D8/346  
2007/0227206 A1 10/2007 Stone ..... 70/232

\* cited by examiner

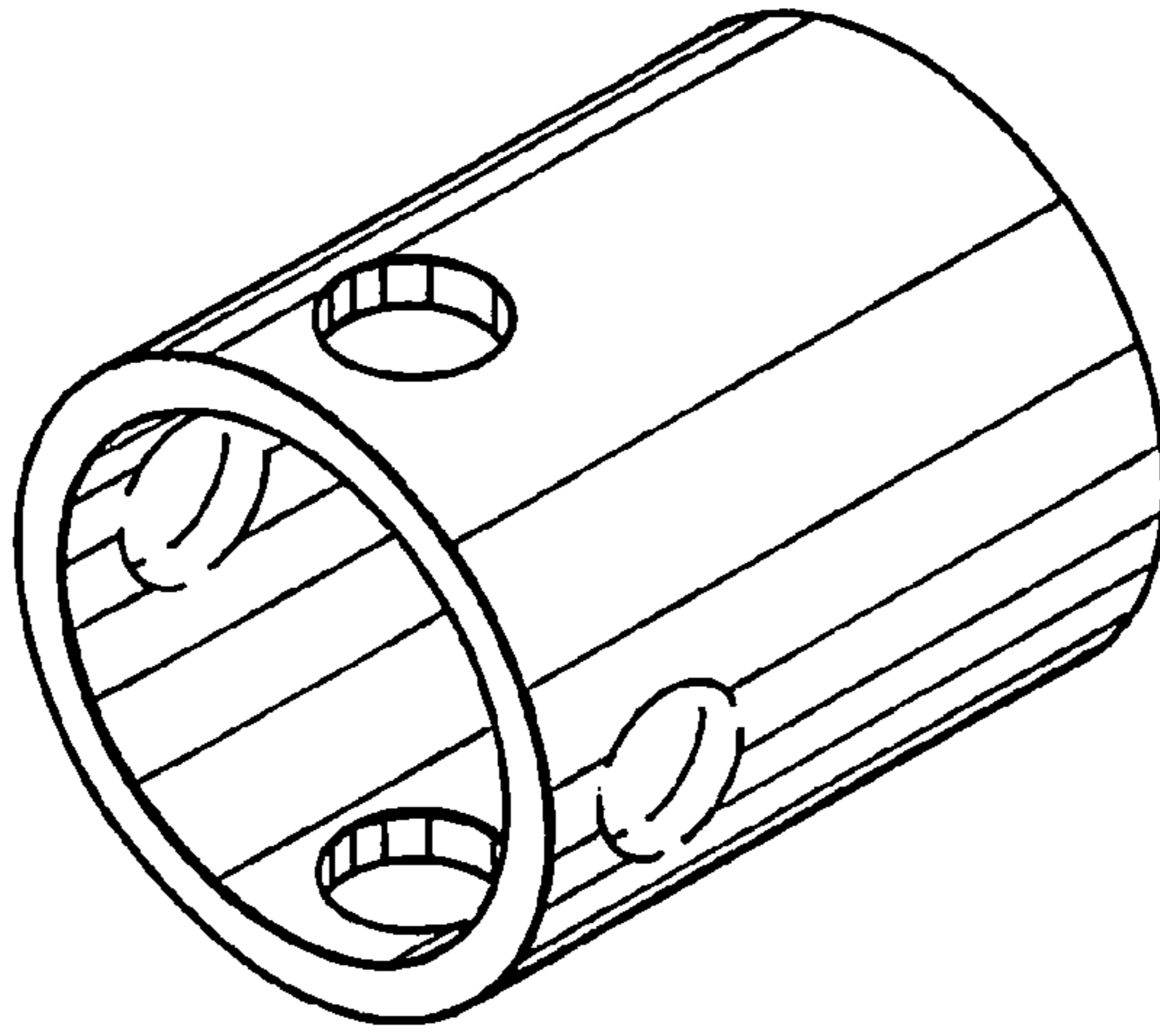


FIG. 1

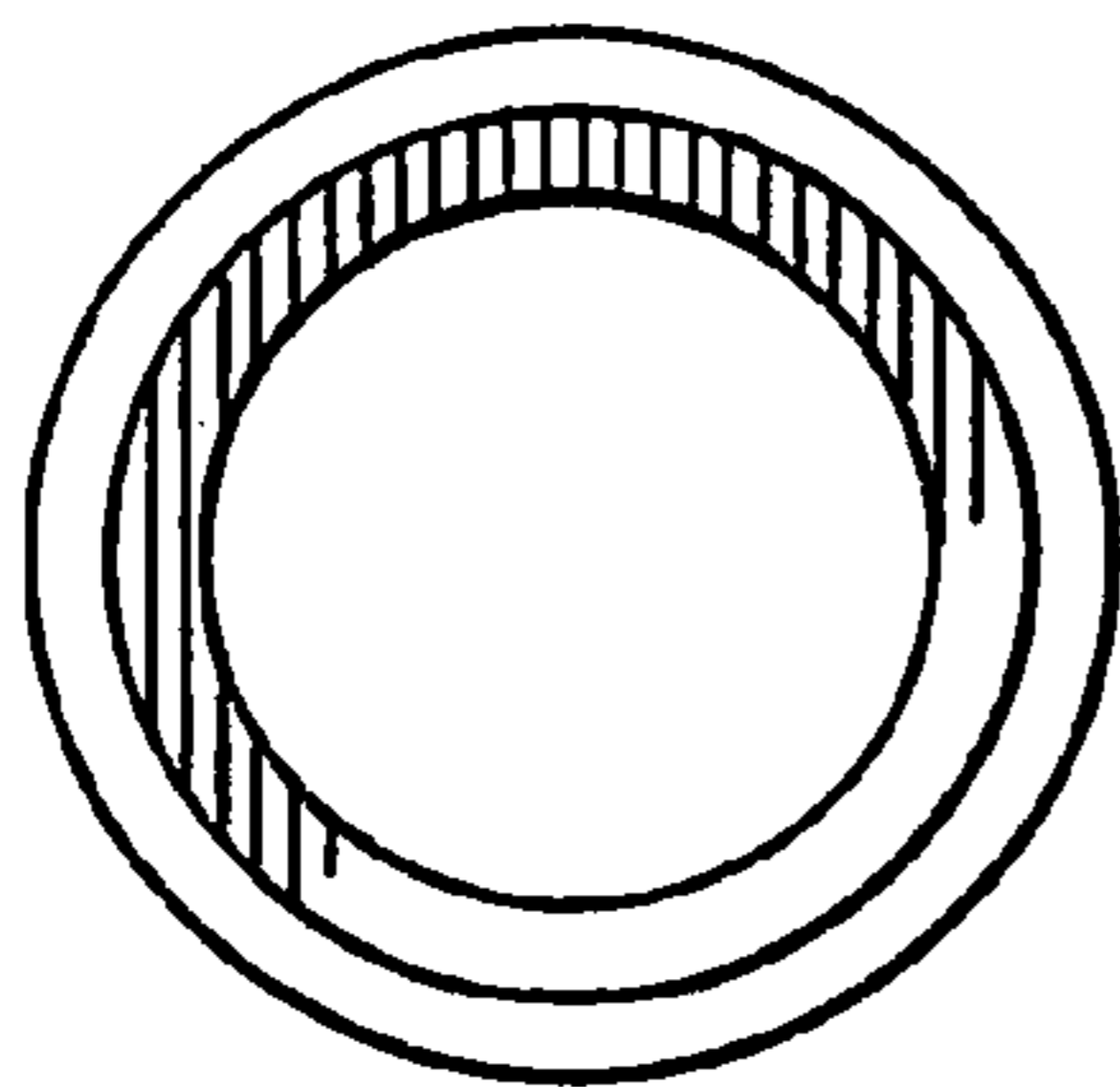


FIG. 2

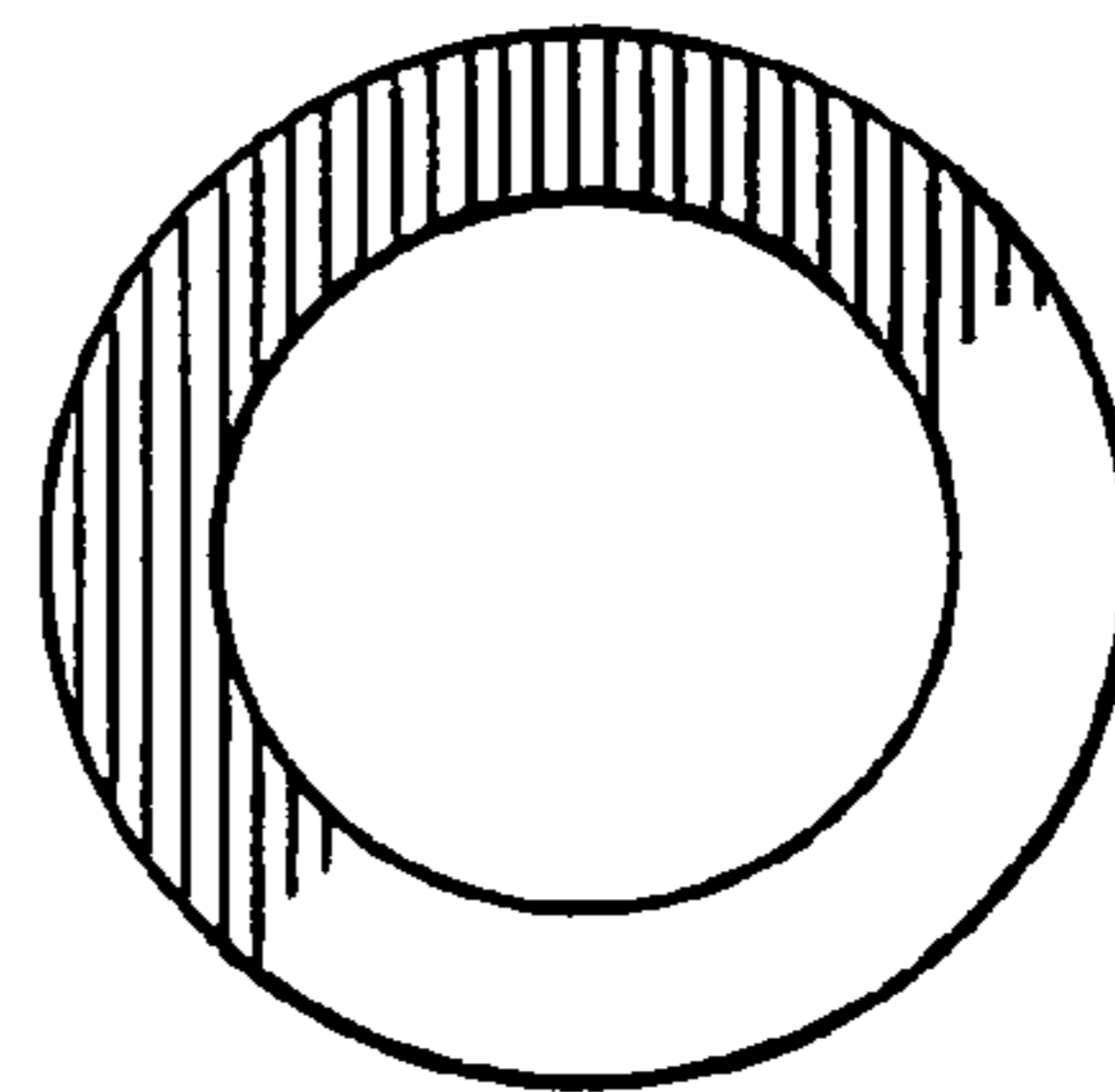


FIG. 3

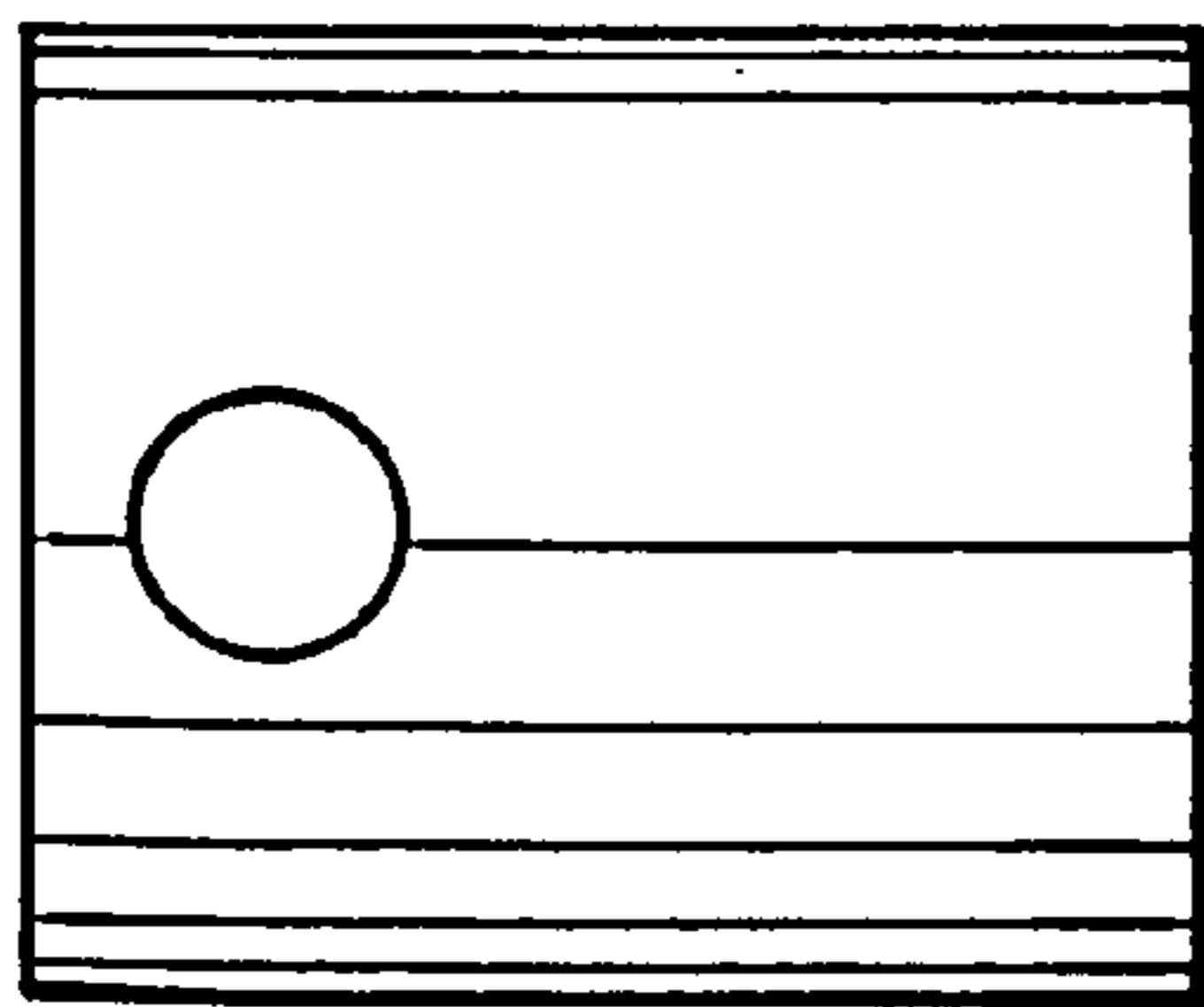


FIG. 4

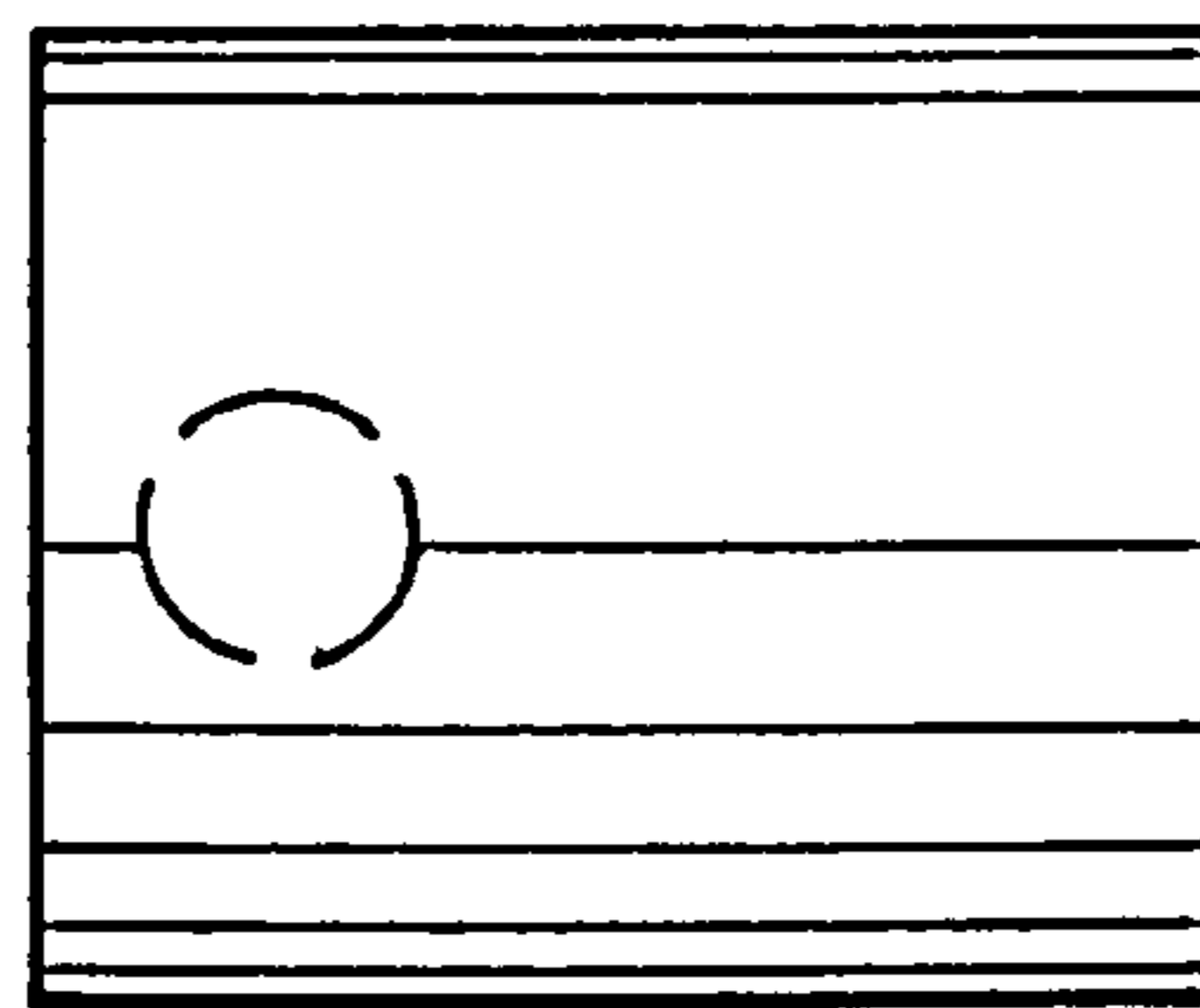


FIG. 5

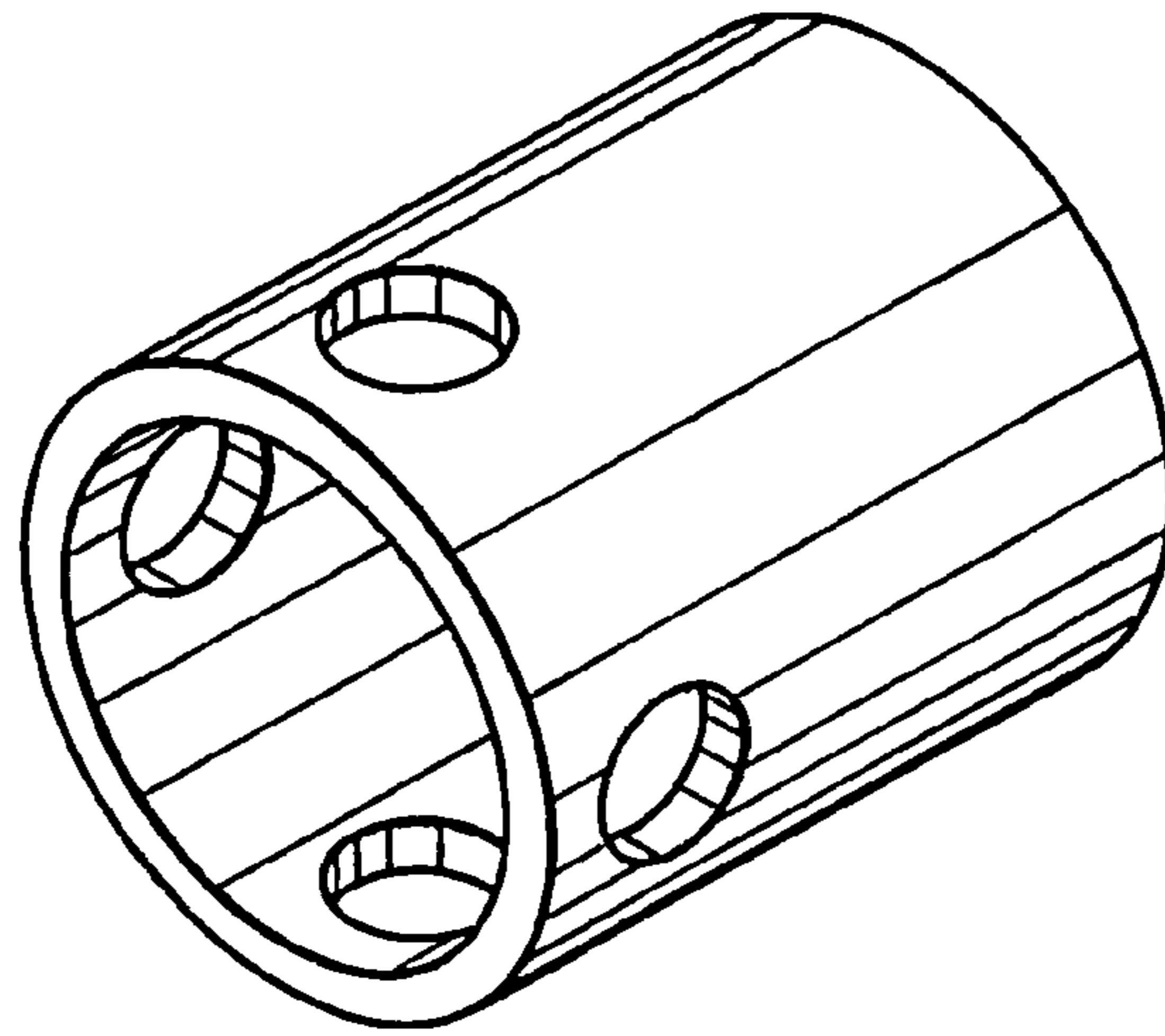


FIG. 6

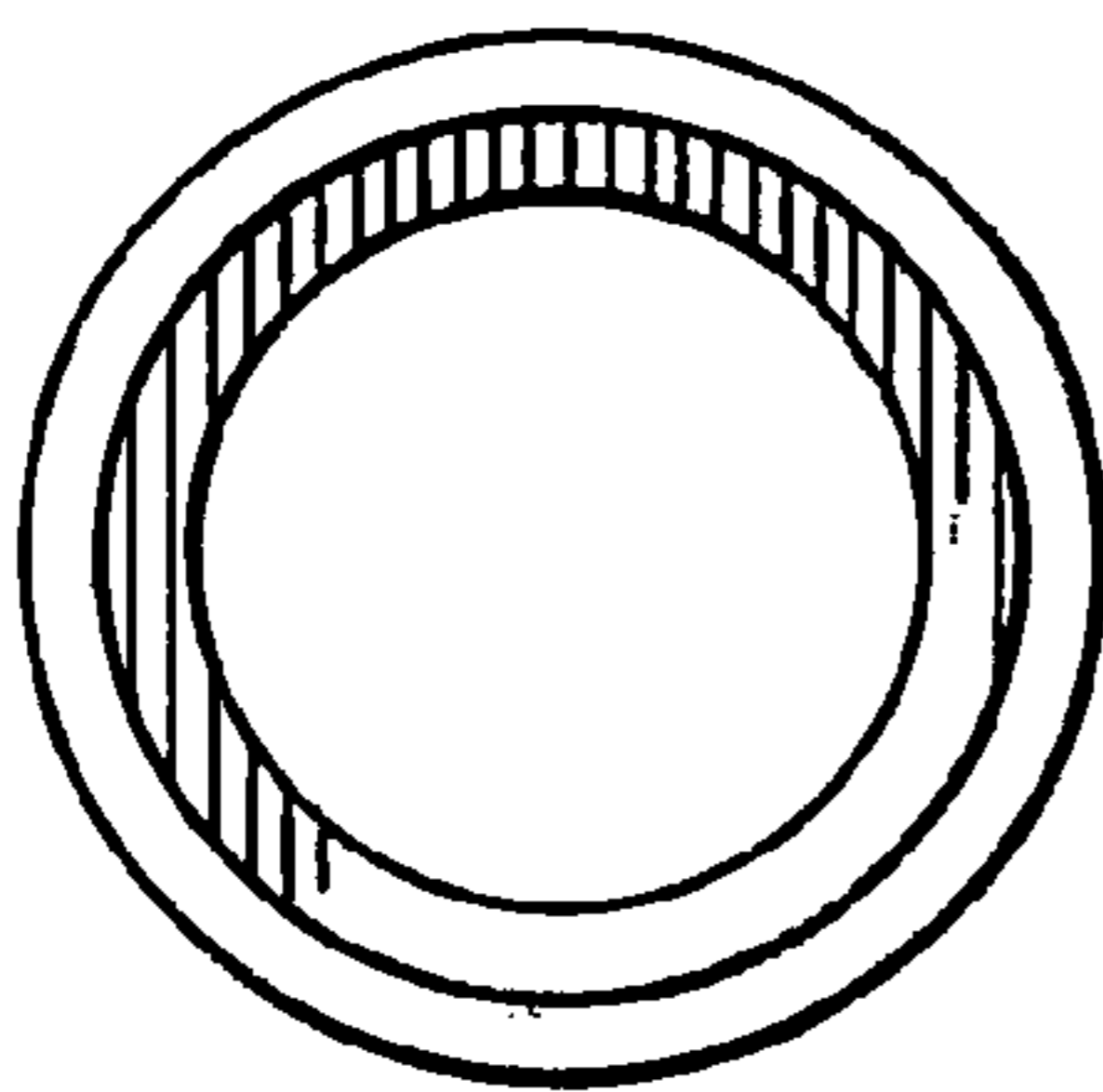


FIG. 7

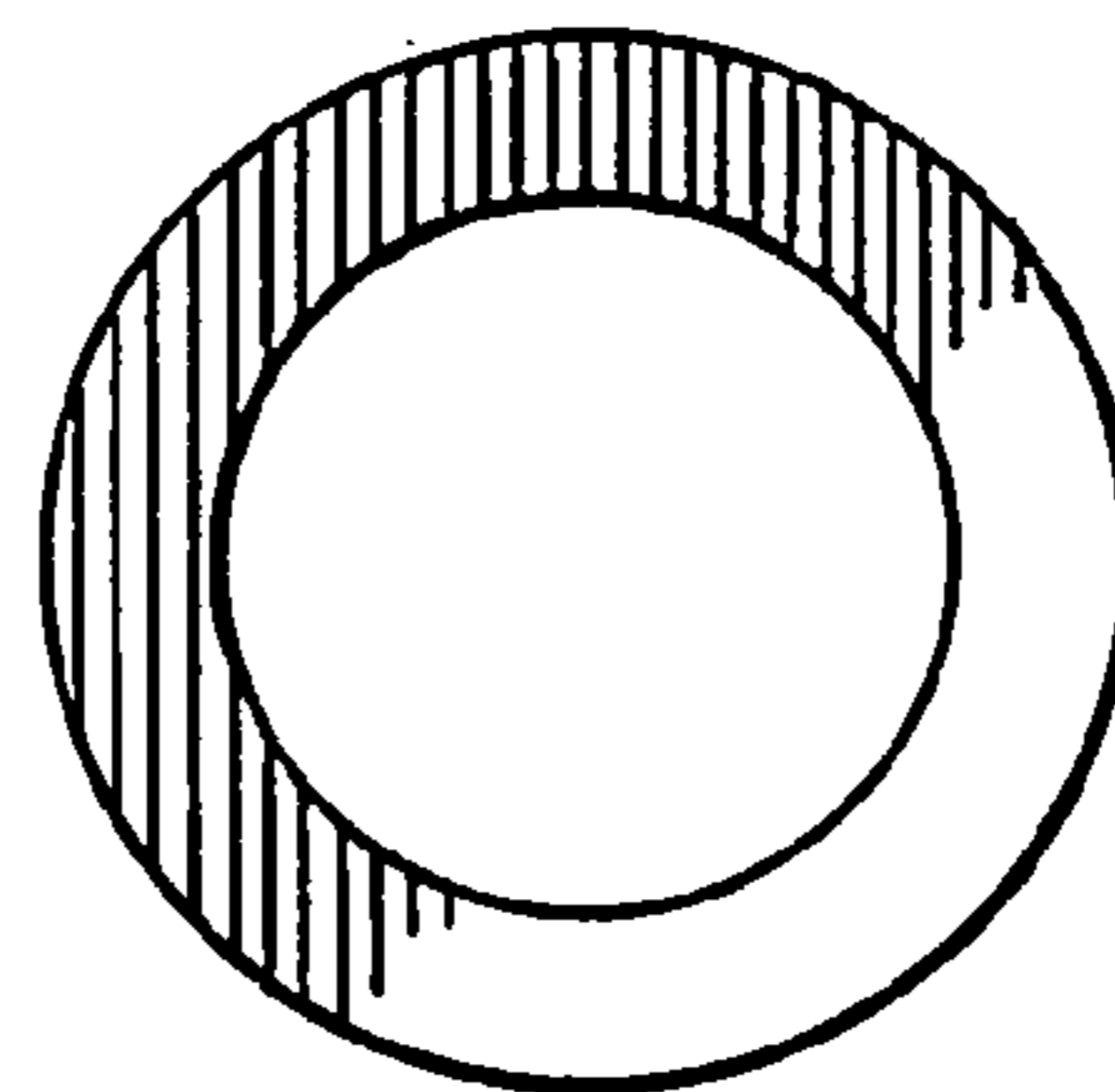


FIG. 8

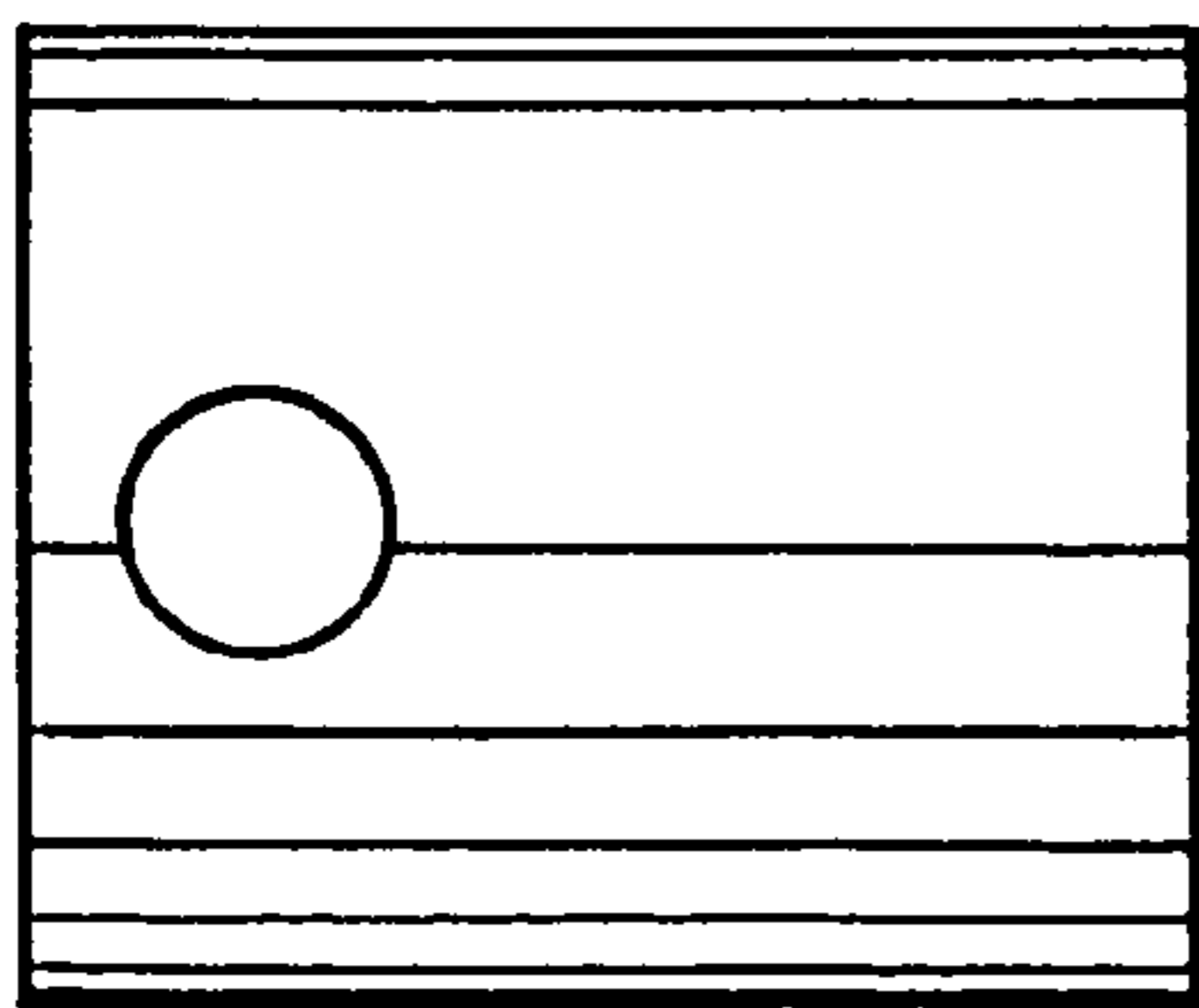


FIG. 9

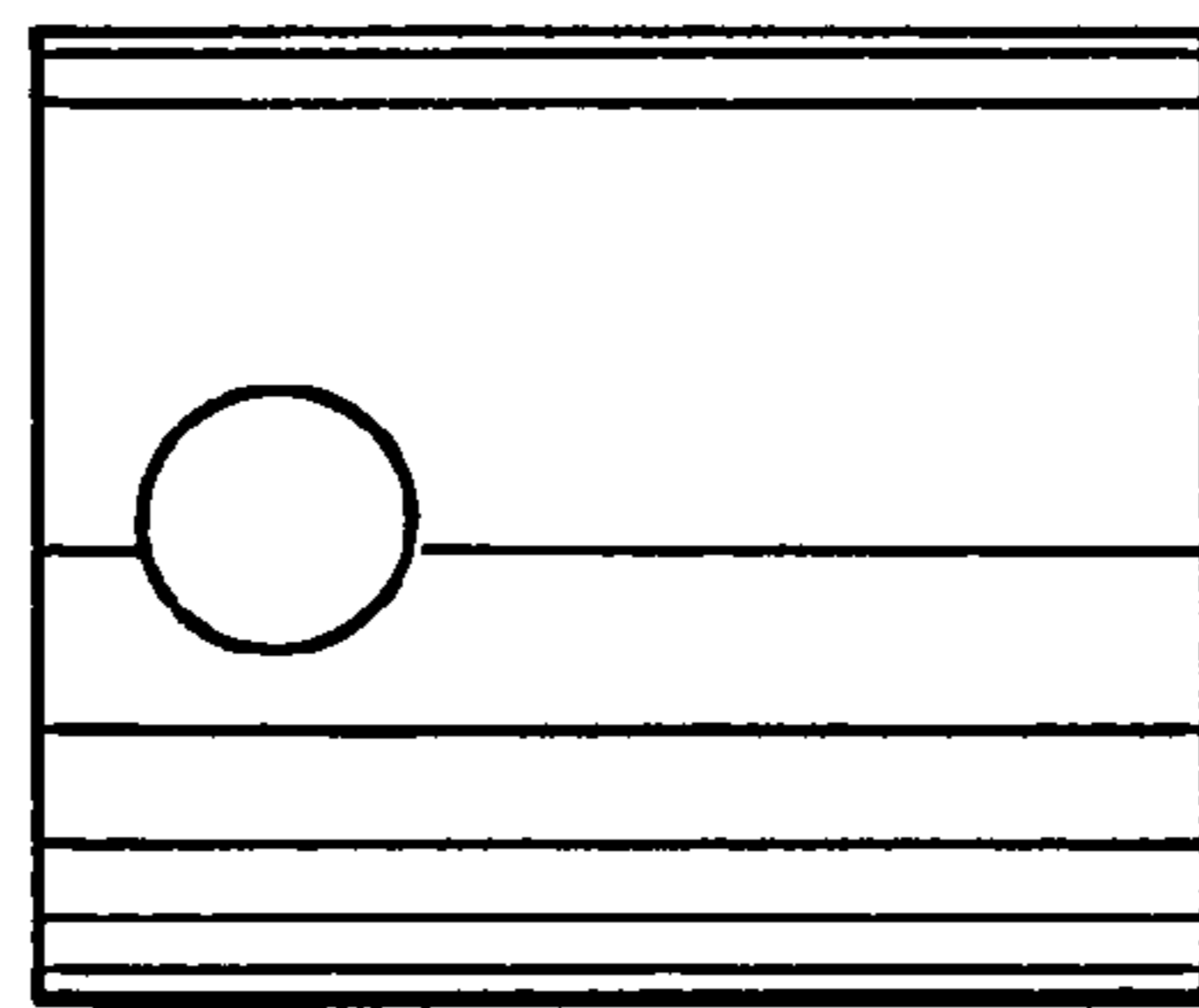


FIG. 10

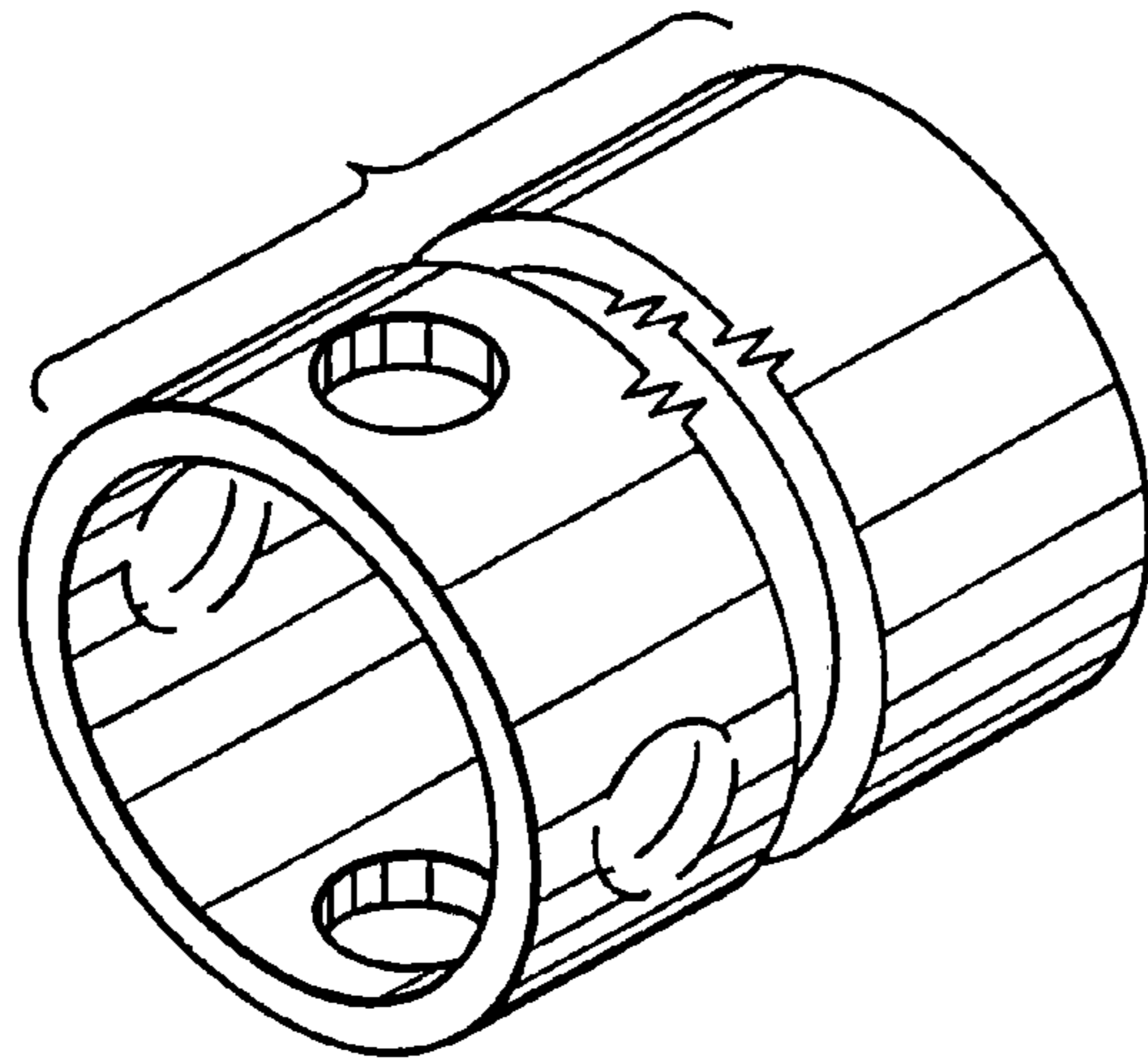


FIG. 11

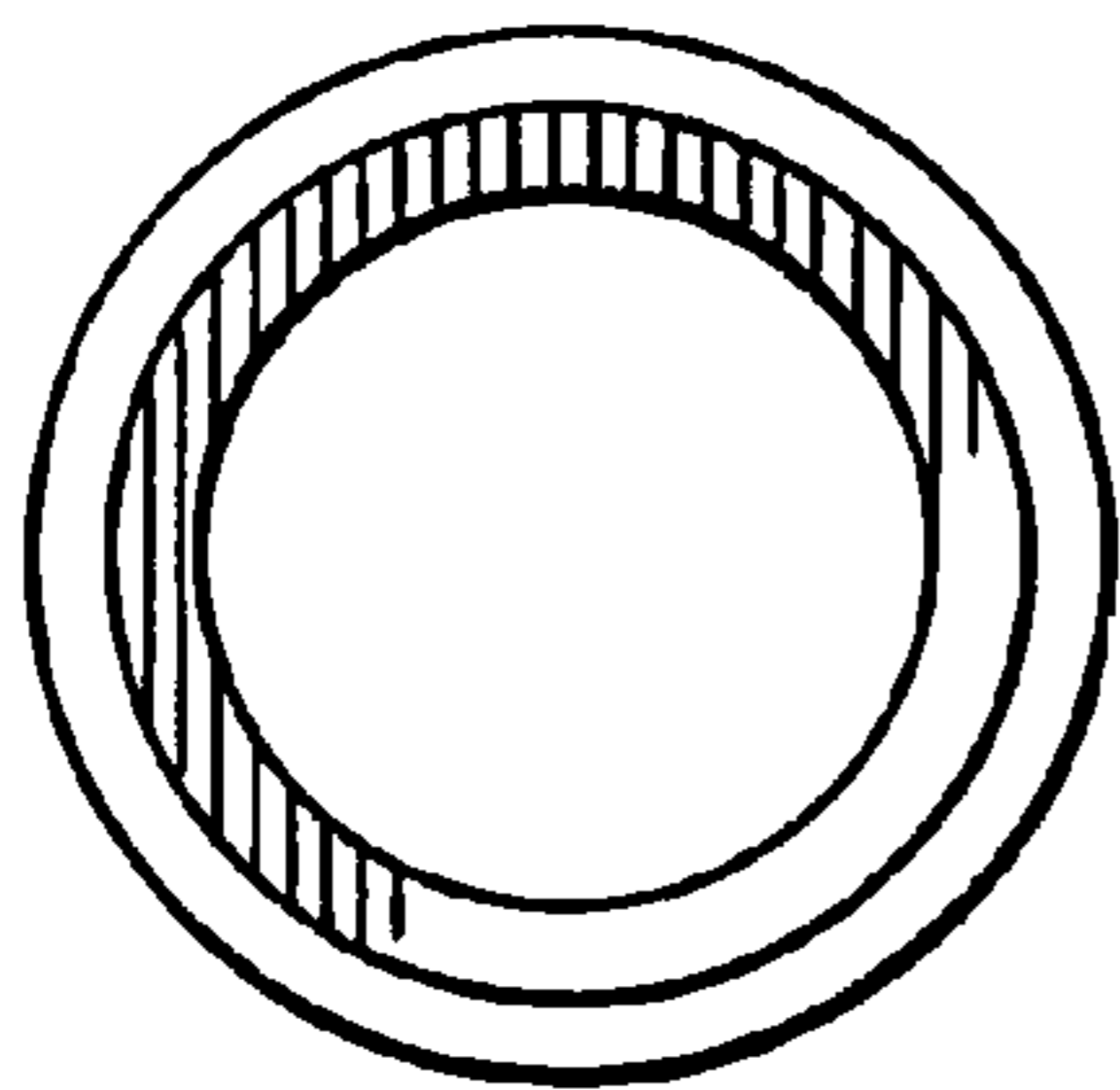


FIG. 12

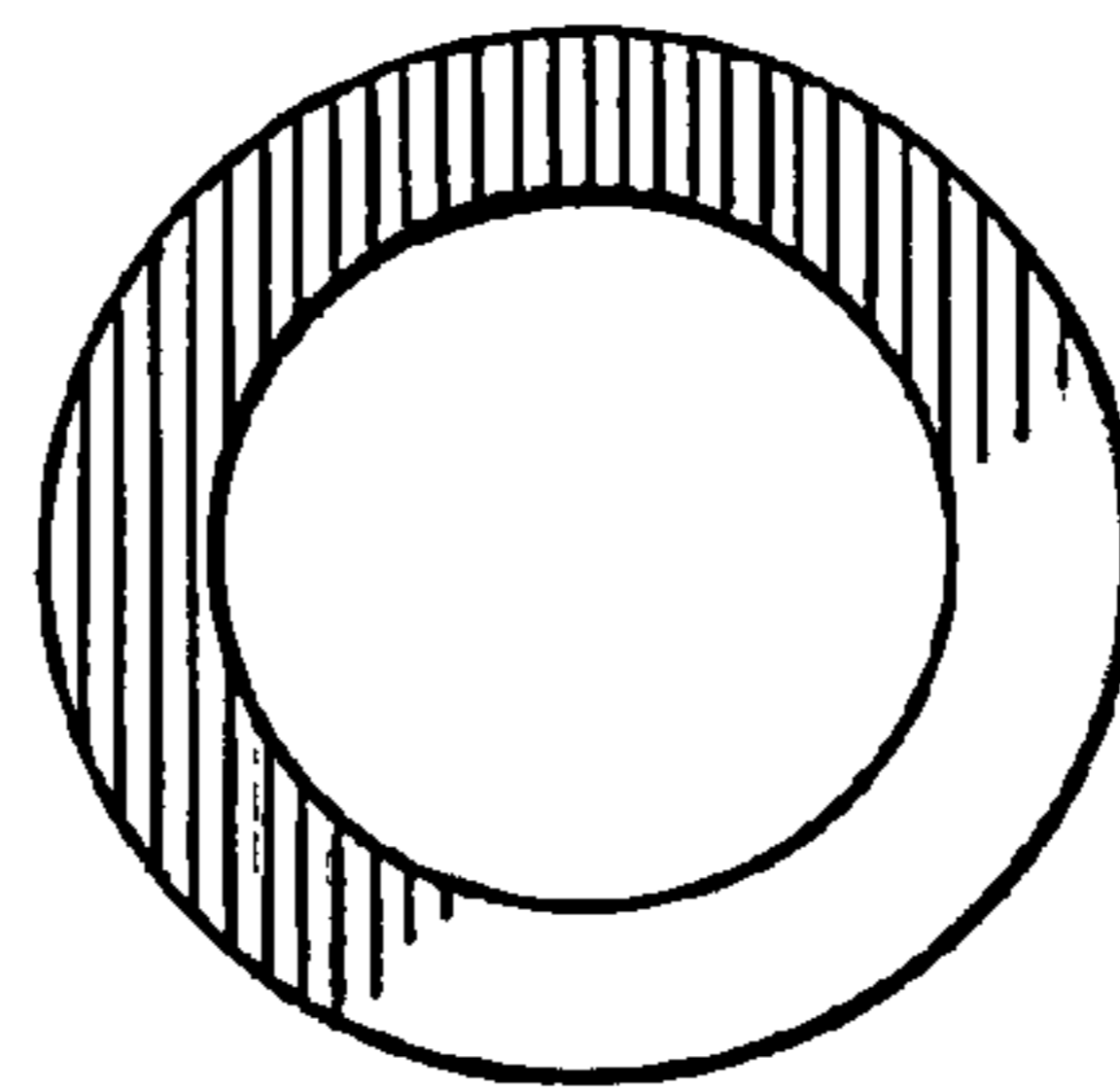


FIG. 13

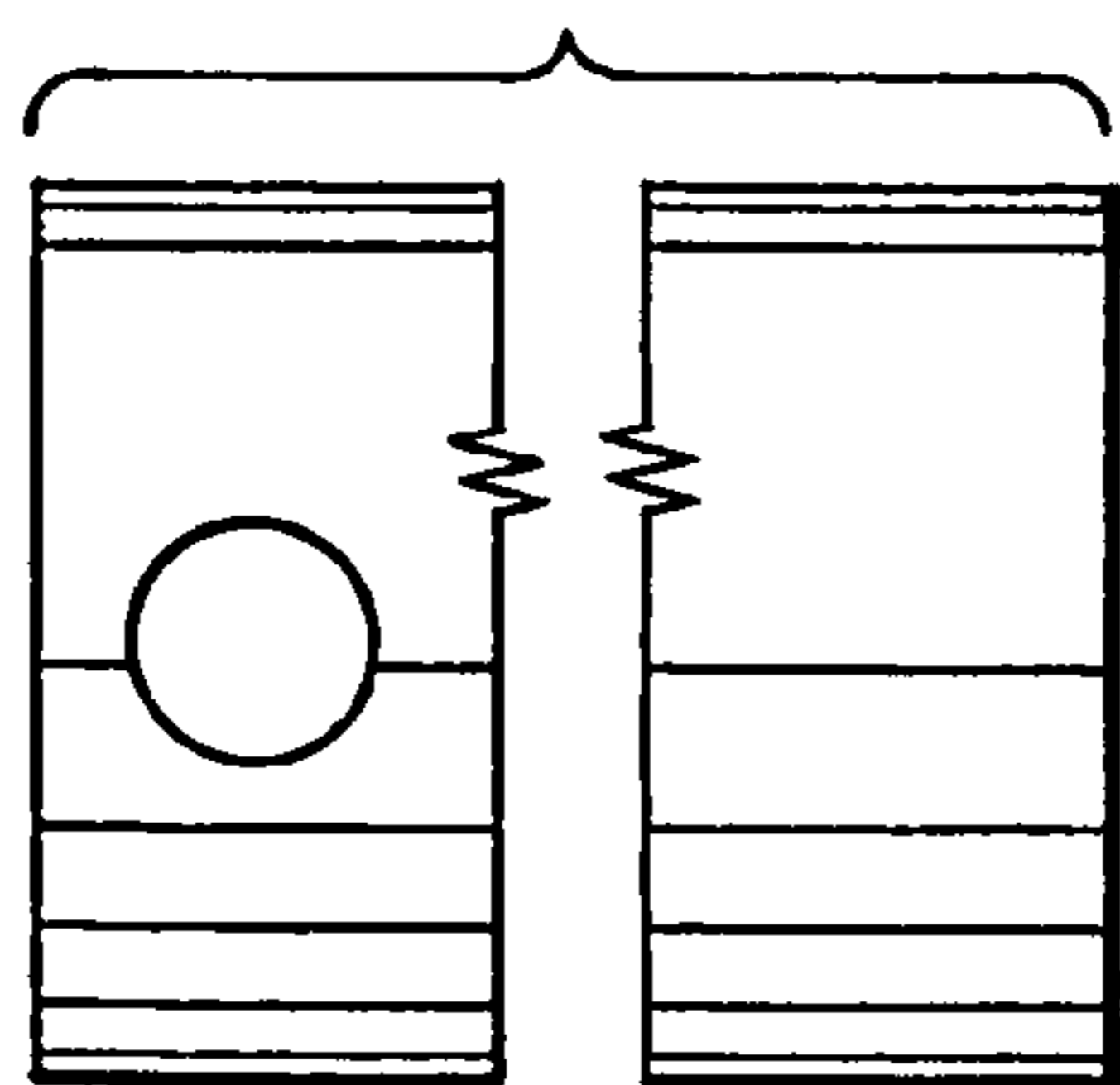


FIG. 14

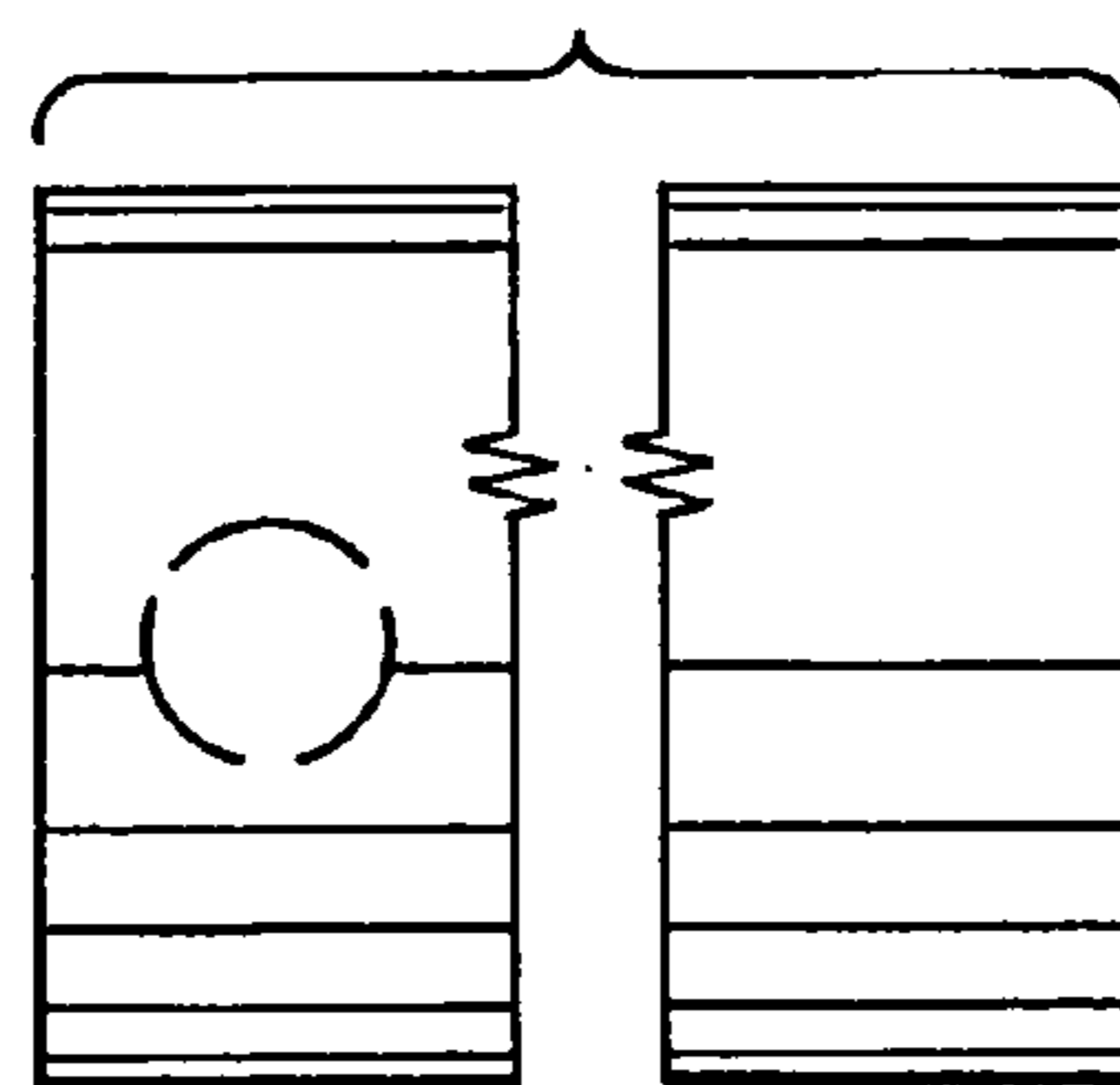


FIG. 15

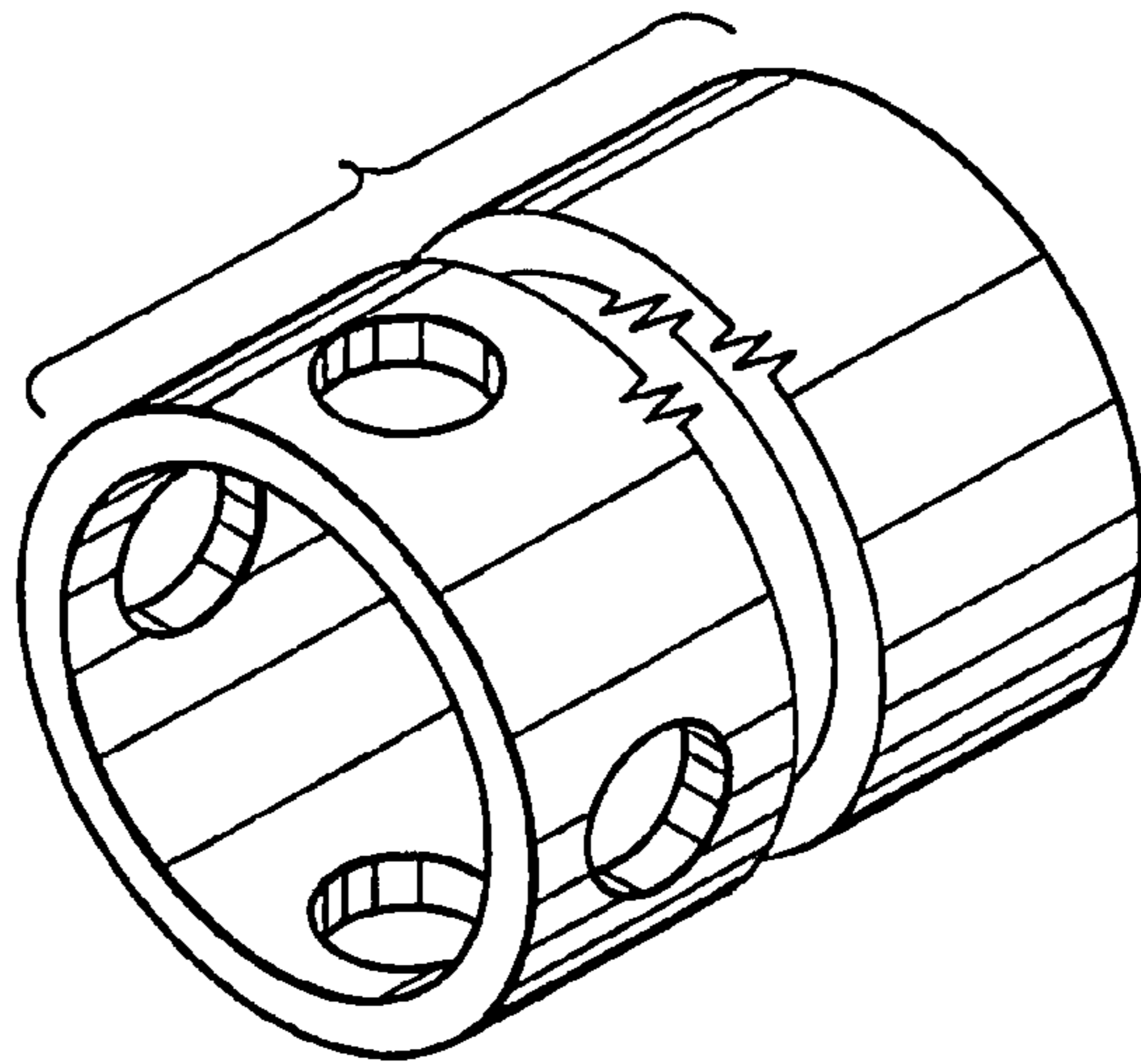


FIG. 16

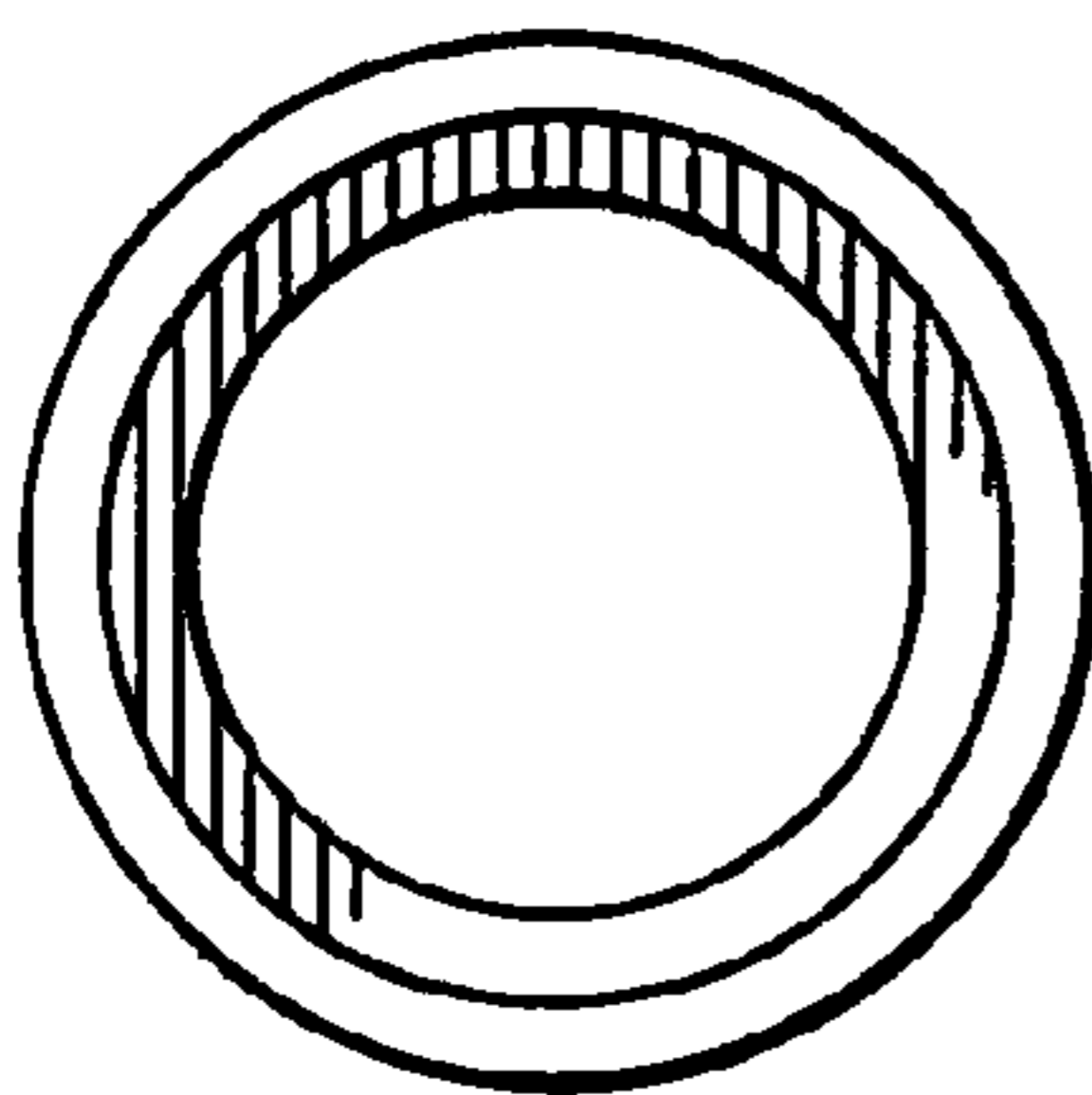


FIG. 17

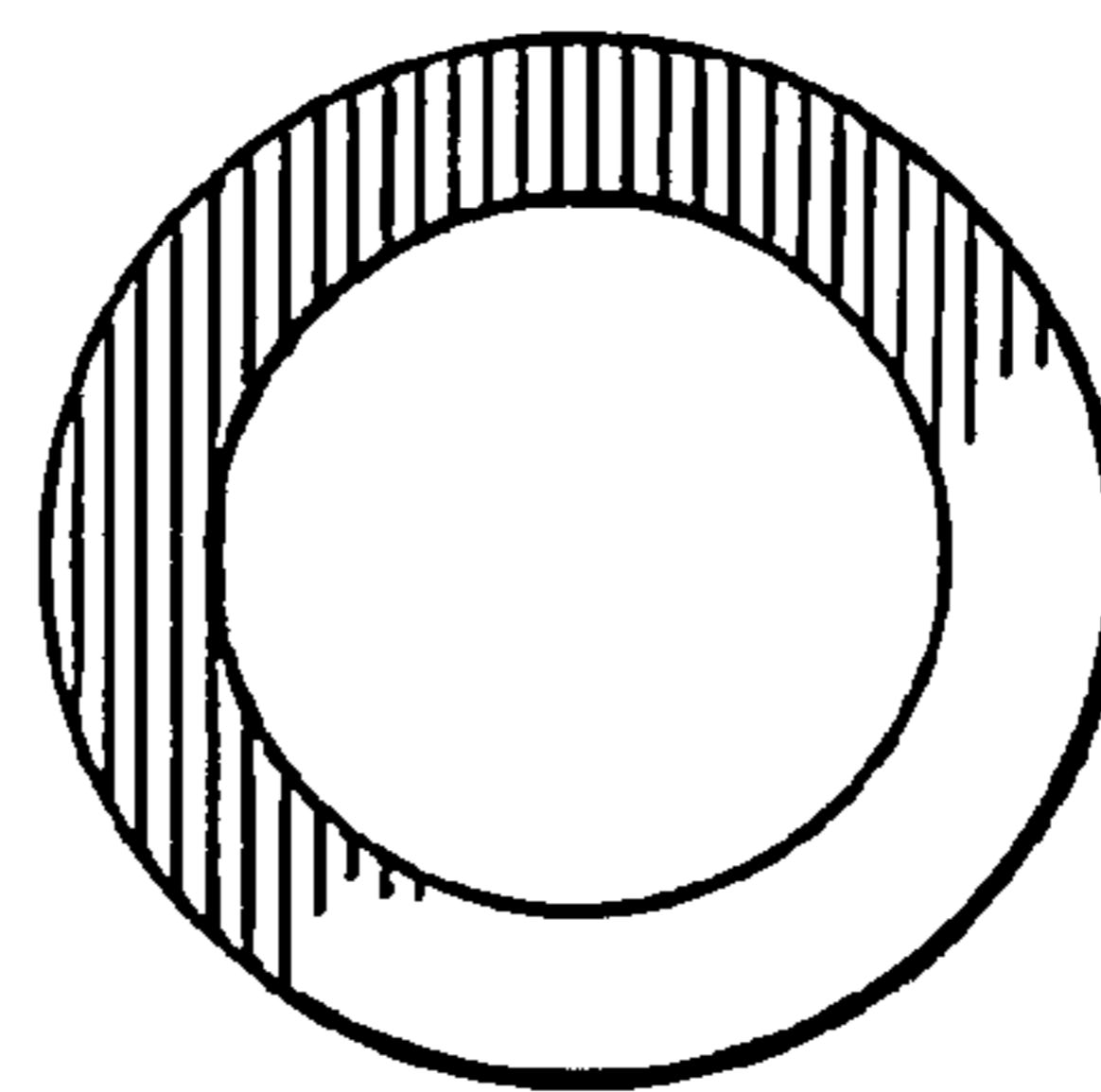


FIG. 18

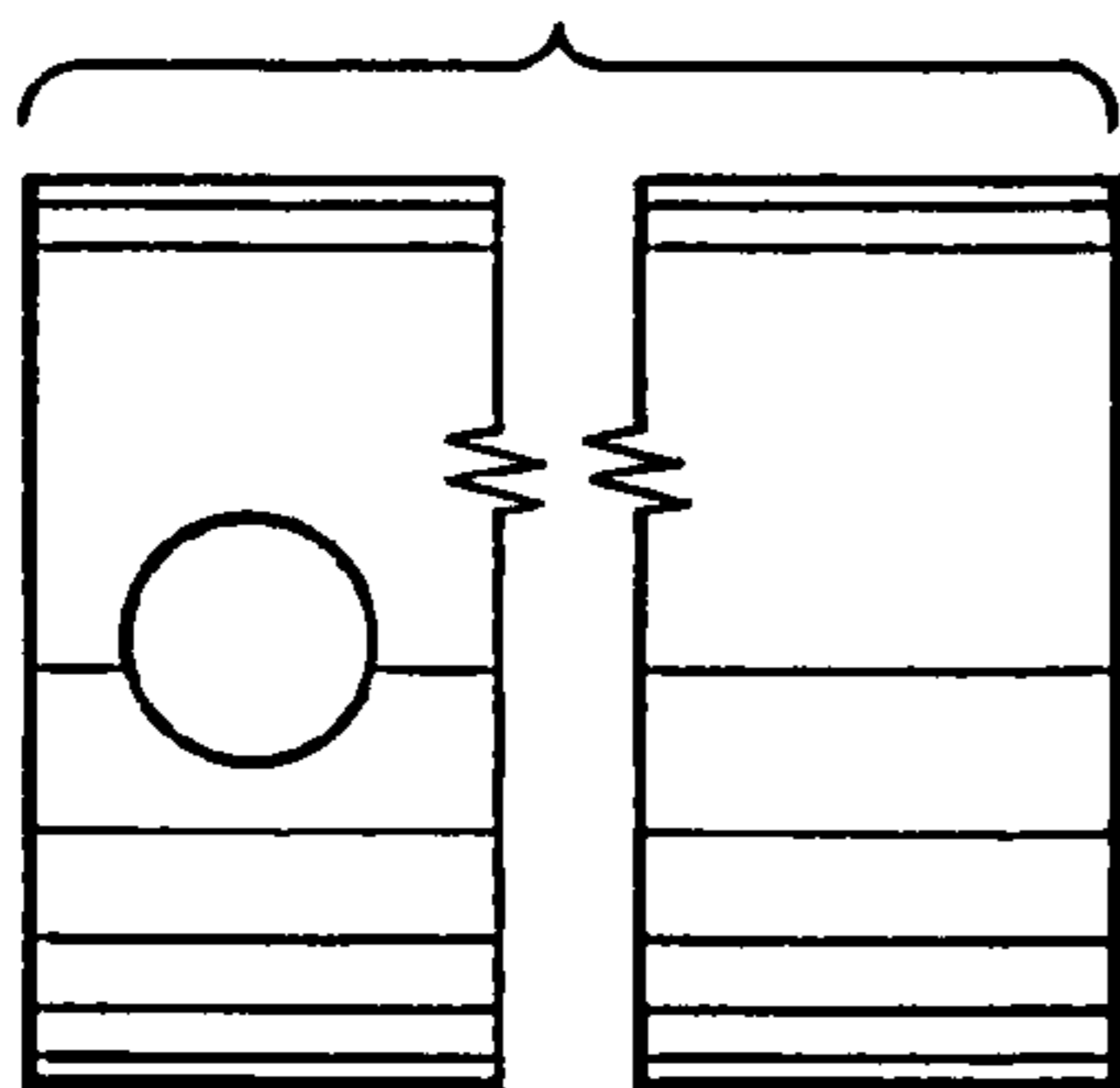


FIG. 19

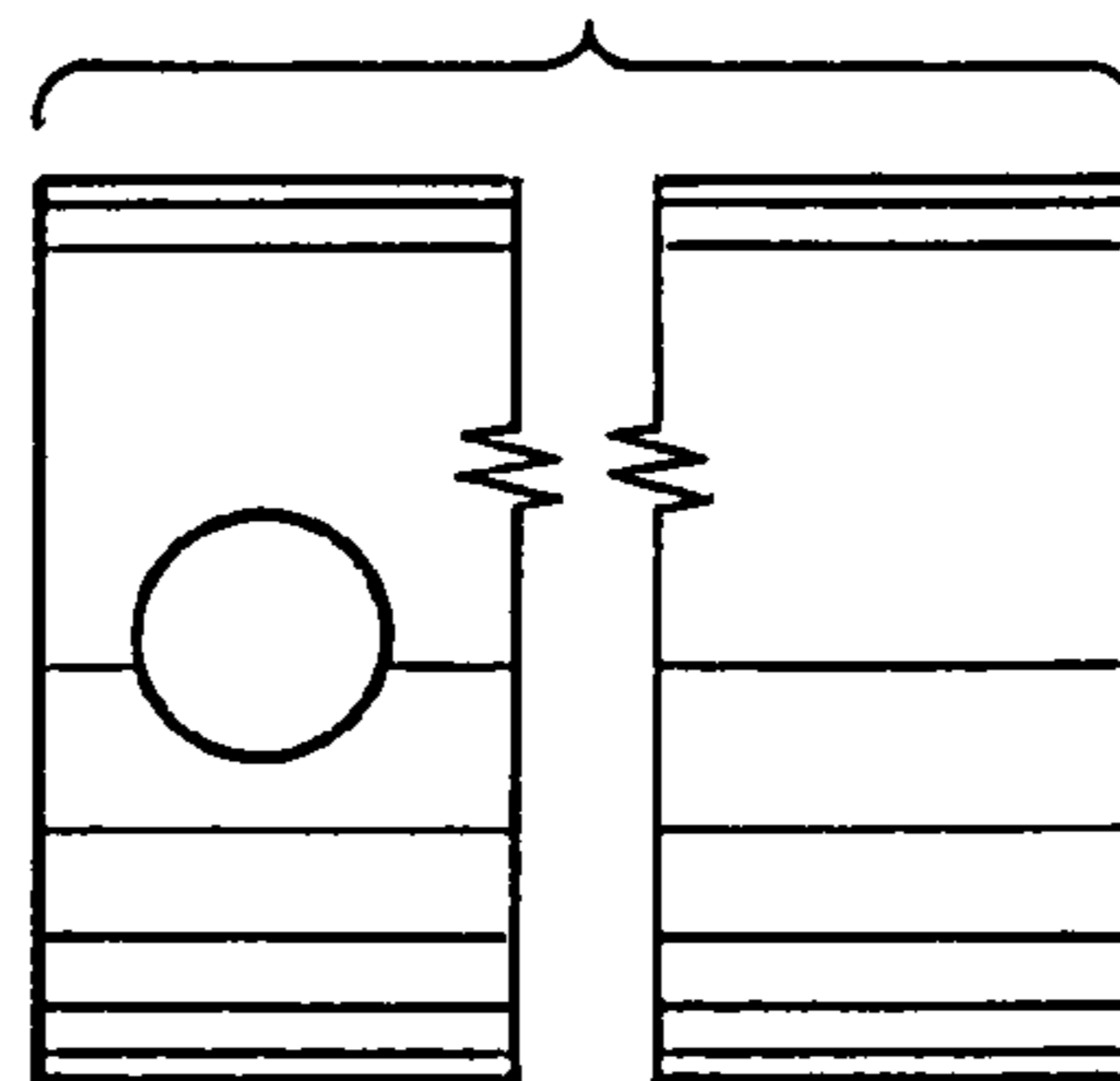


FIG. 20