

US00D731871S

(12) **United States Design Patent**  
**Ringer et al.**

(10) **Patent No.:** **US D731,871 S**

(45) **Date of Patent:** **\*\* Jun. 16, 2015**

(54) **ANTI-THEFT DEVICE FOR POWER INVERTERS**

(56) **References Cited**

(71) Applicant: **FRONIUS INTERNATIONAL GMBH**, Wels-Thalheim (AT)

(72) Inventors: **Thomas Ringer**, Grieskirchen (AT);  
**Dominik Mallinger**, Wallern (AT)

(73) Assignee: **Fronius International GmbH**,  
Wels-Thalheim (AT)

(\*\*) Term: **14 Years**

(21) Appl. No.: **29/488,403**

(22) Filed: **Apr. 18, 2014**

(30) **Foreign Application Priority Data**

Oct. 21, 2013 (EM) ..... 2329680-0001

(51) **LOC (10) Cl.** ..... **08-07**

(52) **U.S. Cl.**  
USPC ..... **D8/330; D8/343**

(58) **Field of Classification Search**  
USPC ..... D8/330, 331, 343, 416-419, 429;  
70/57.1, 57, 416-419, 429, DIG. 26,  
70/DIG. 56; 220/260, 265, 266, 277  
CPC ..... F16K 35/06; F16K 35/00; F16B 41/00;  
E05B 73/00; E05B 65/00; E05B 65/48;  
E05B 65/52

See application file for complete search history.

U.S. PATENT DOCUMENTS

4,803,858	A *	2/1989	Parker	70/231
4,987,755	A *	1/1991	Groh et al.	70/134
5,875,661	A *	3/1999	Ho	70/209
6,604,391	B2 *	8/2003	Vellette et al.	70/177
D523,324	S *	6/2006	Miller et al.	D8/330
D540,650	S *	4/2007	Durbin	D8/330
D637,471	S *	5/2011	Roy	D8/330
8,294,583	B2 *	10/2012	Sayegh et al.	340/572.9
D670,993	S *	11/2012	Lin	D8/331
2004/0172988	A1 *	9/2004	Gorst	70/57.1
2008/0289372	A1 *	11/2008	Rendon et al.	70/57.1
2009/0158791	A1 *	6/2009	Hudman et al.	70/232

\* cited by examiner

*Primary Examiner* — Prabhakar Deshmukh

(74) *Attorney, Agent, or Firm* — Collard & Roe, P.C.

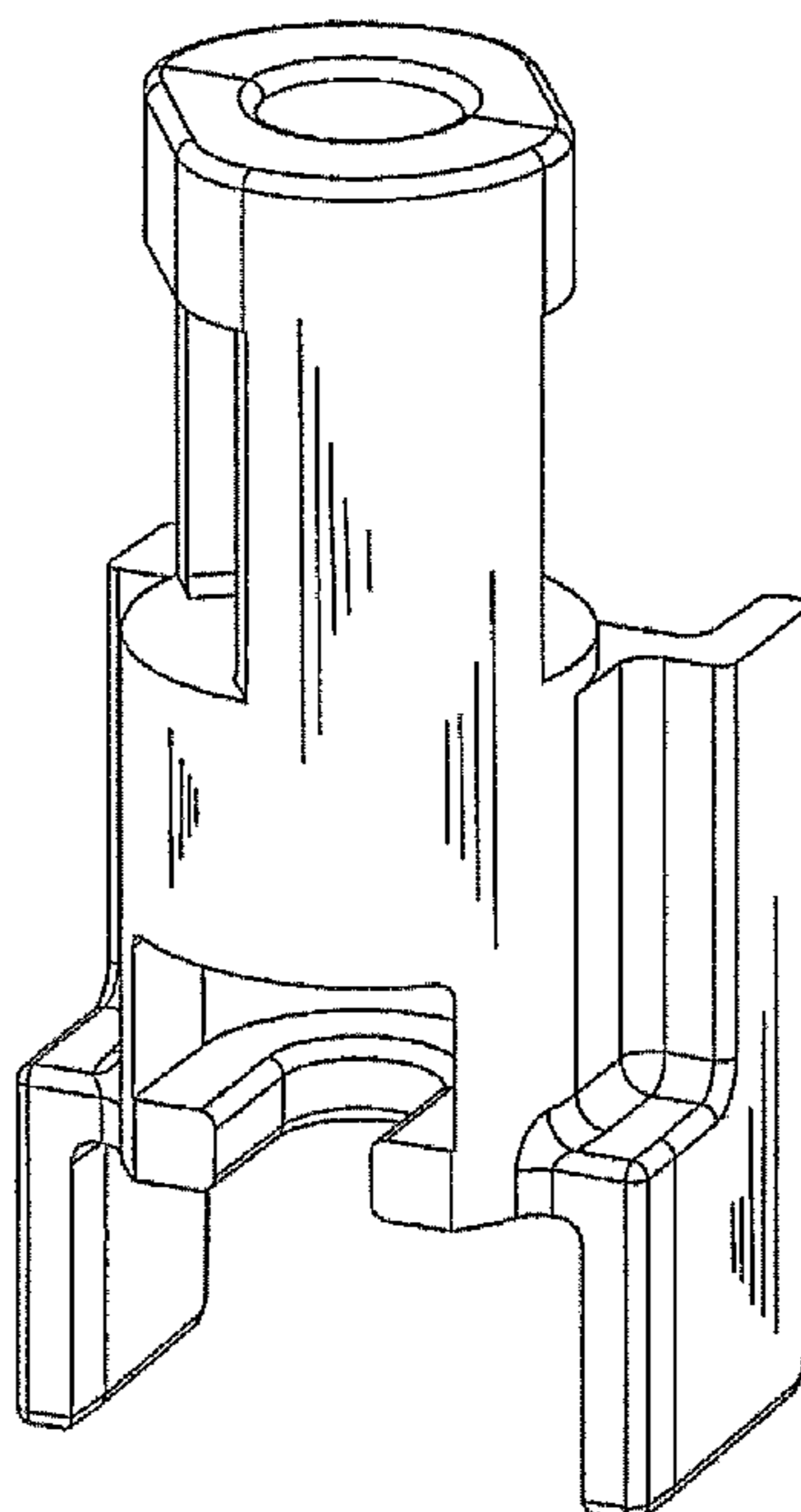
(57) **CLAIM**

The ornamental design for an anti-theft device for power inverters, as shown and described.

**DESCRIPTION**

FIG. 1 is a front, top and side perspective view of our design for an anti-theft device for power inverters;  
FIG. 2 is a front view thereof;  
FIG. 3 is a rear view thereof;  
FIG. 4 is a side view thereof;  
FIG. 5 is an opposite side view thereof;  
FIG. 6 is a top view thereof; and,  
FIG. 7 is a bottom view thereof.

**1 Claim, 7 Drawing Sheets**



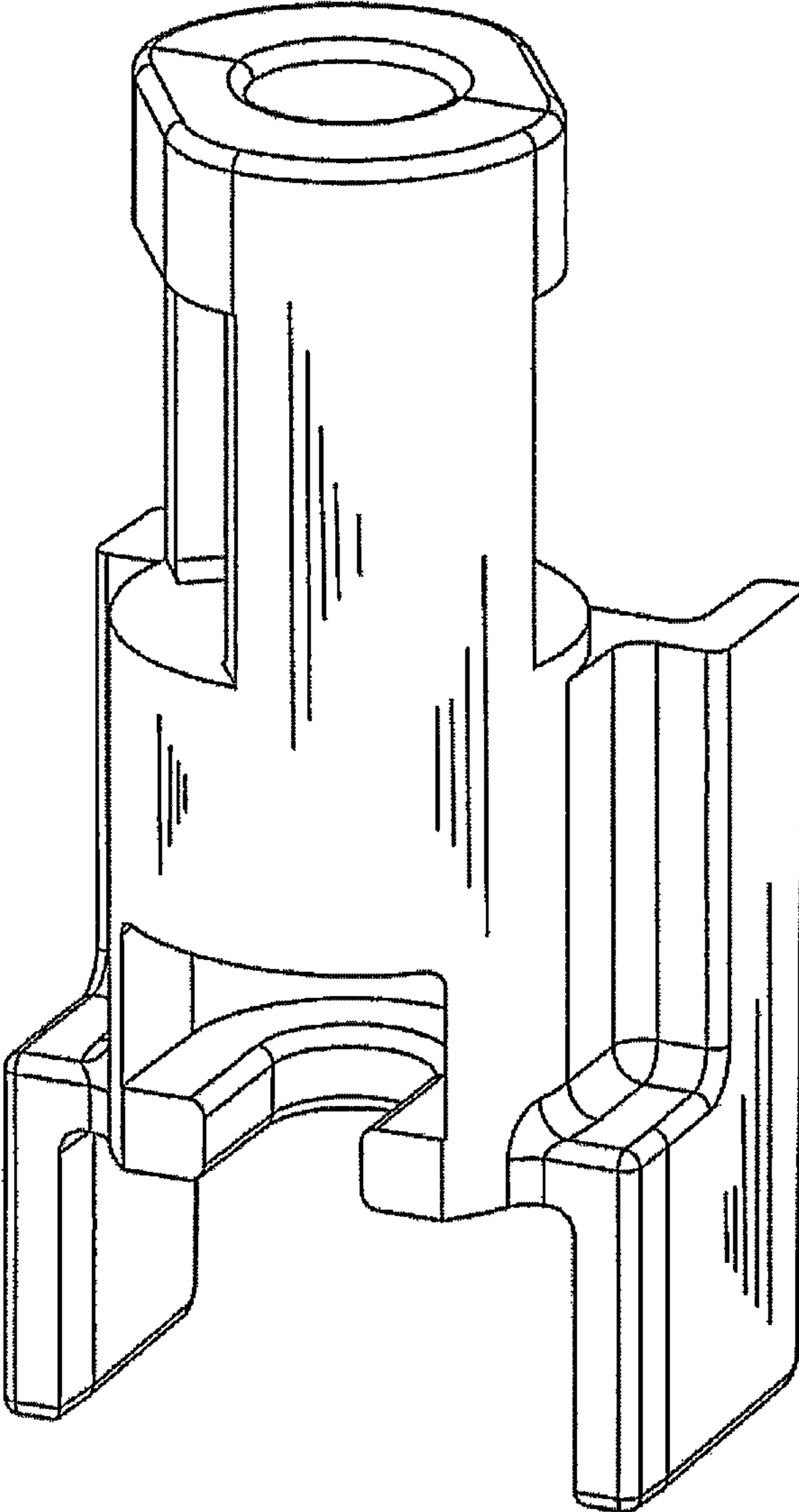


FIG. 1

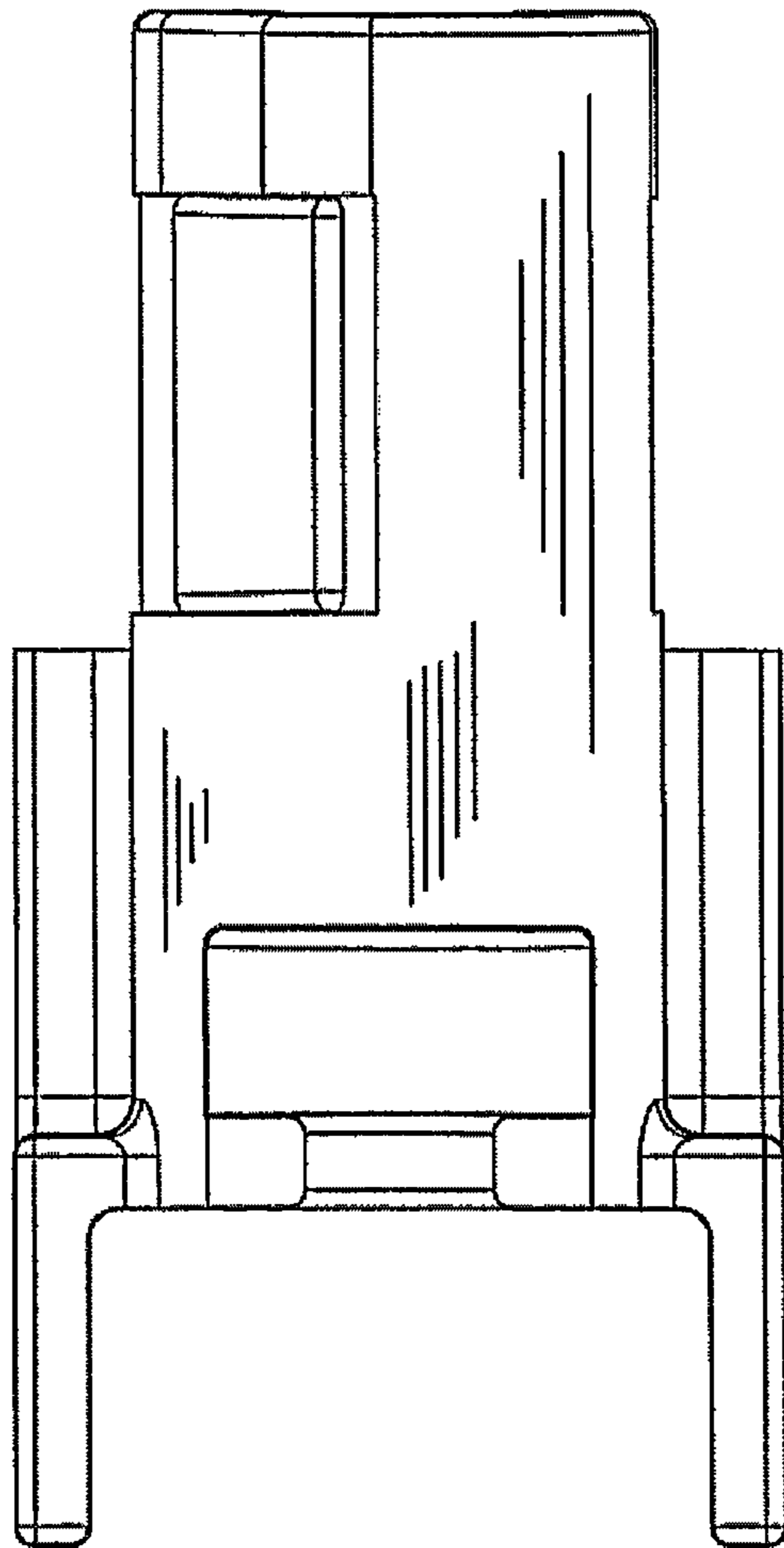


FIG. 2

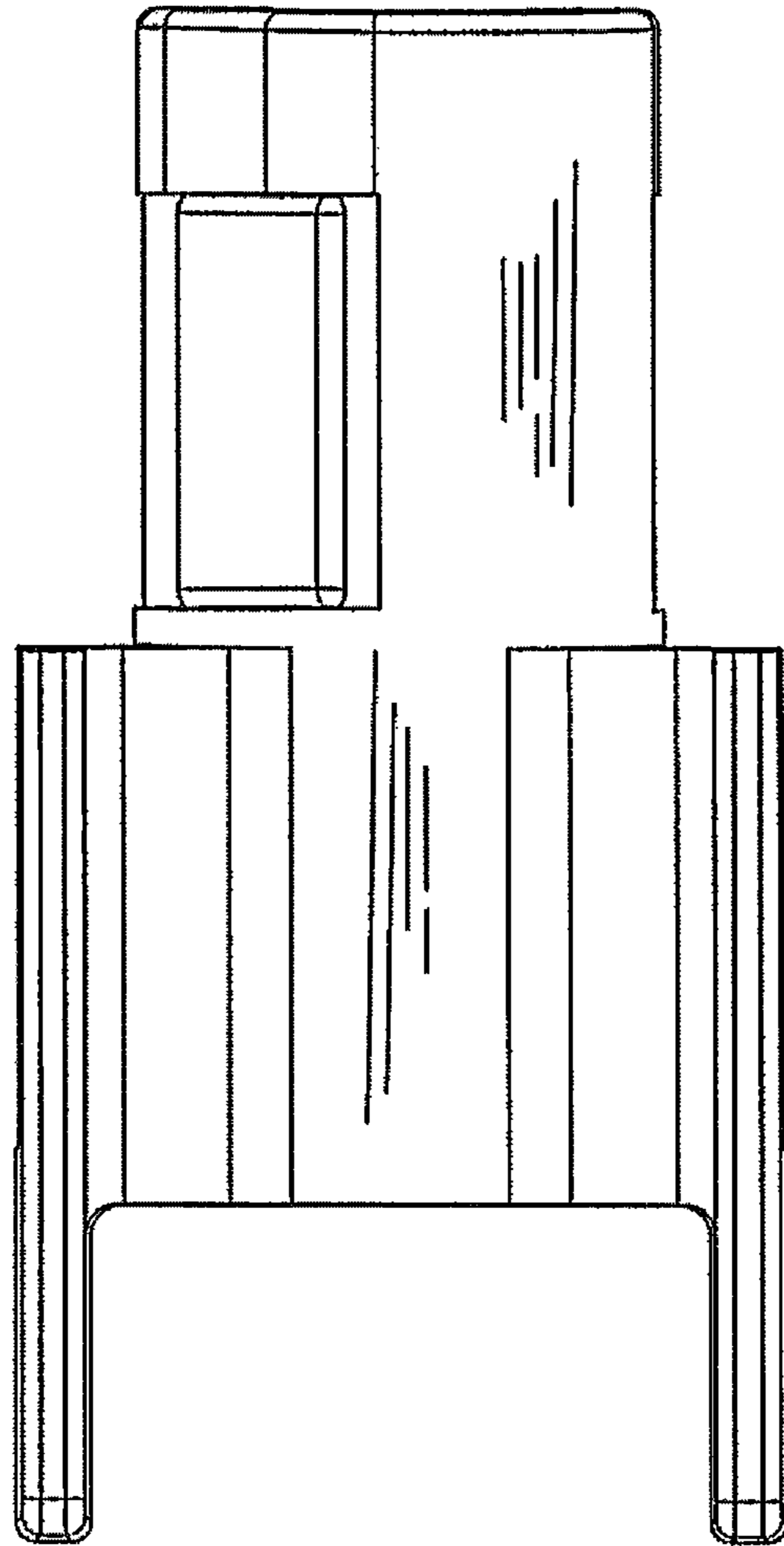


FIG. 3

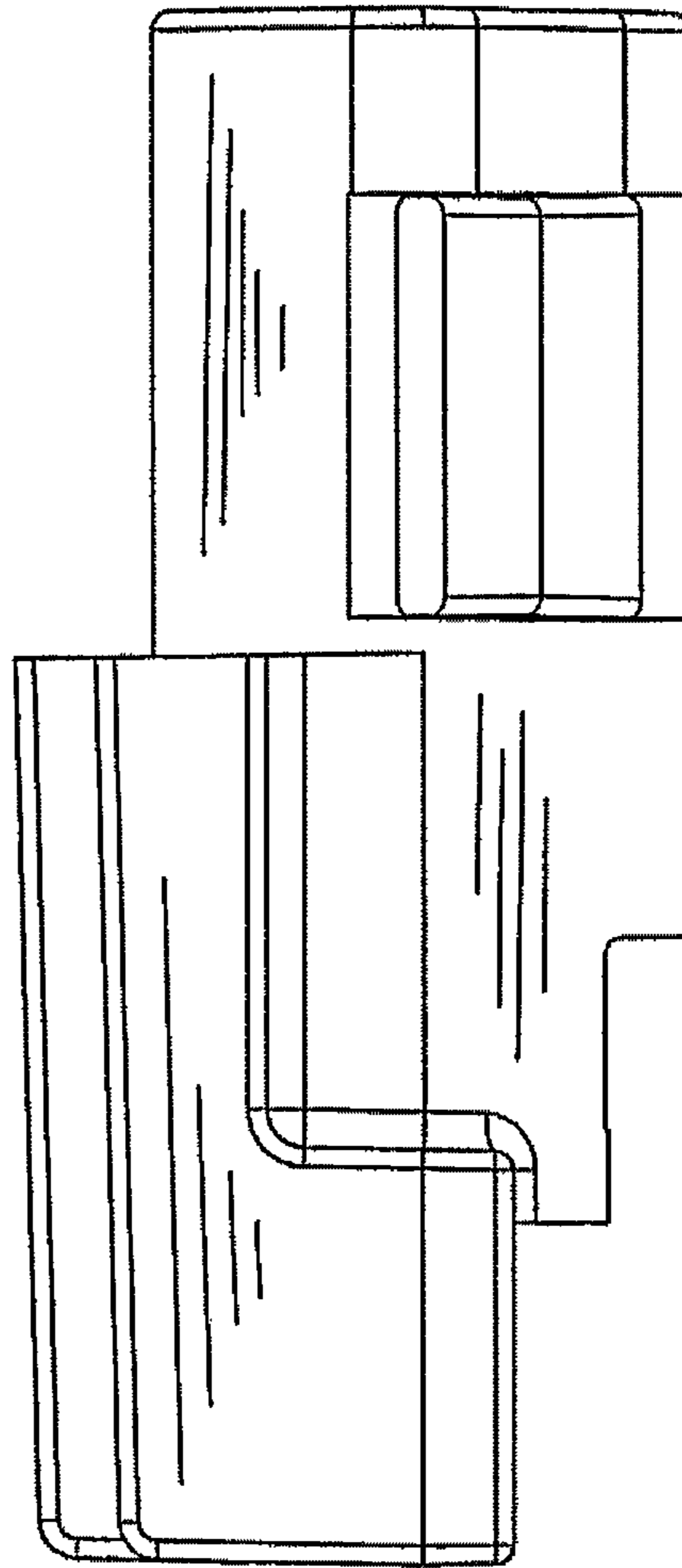


FIG. 4

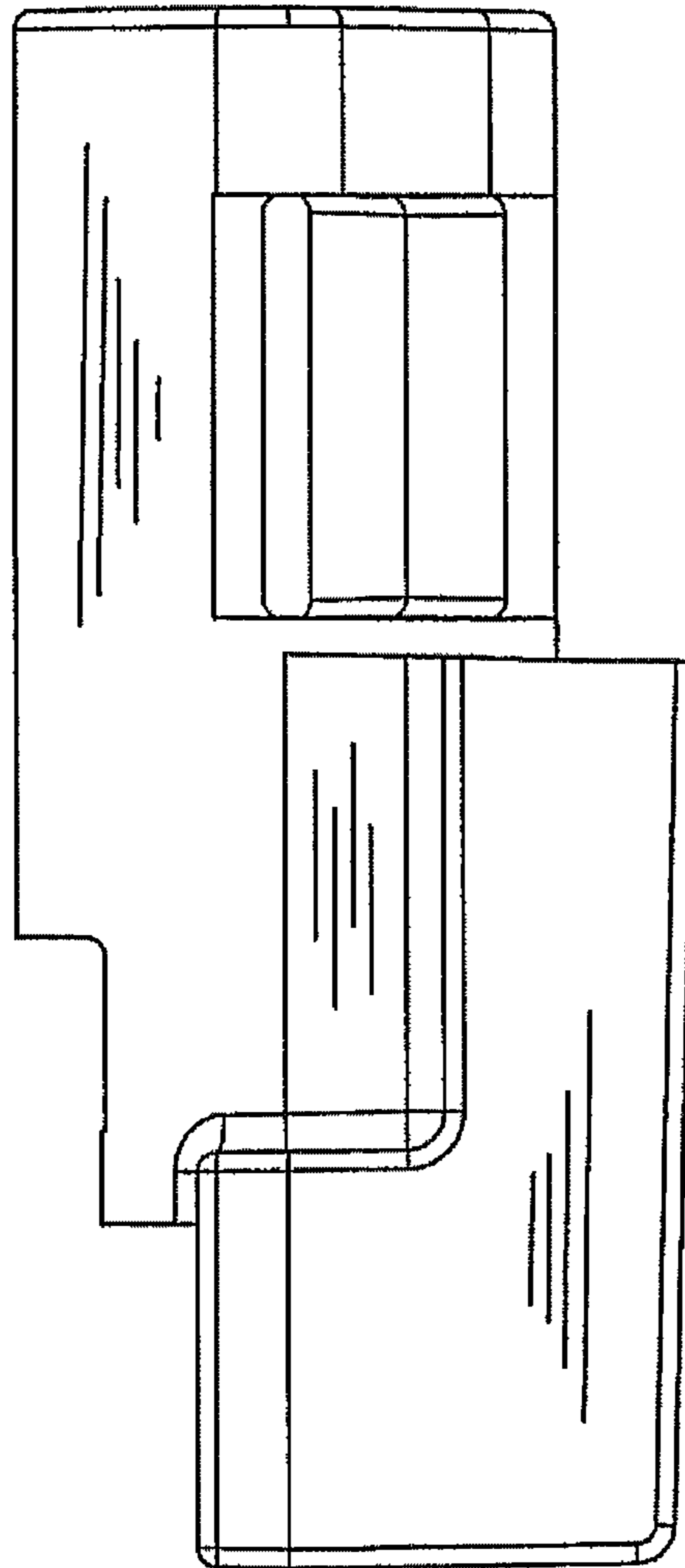


FIG. 5

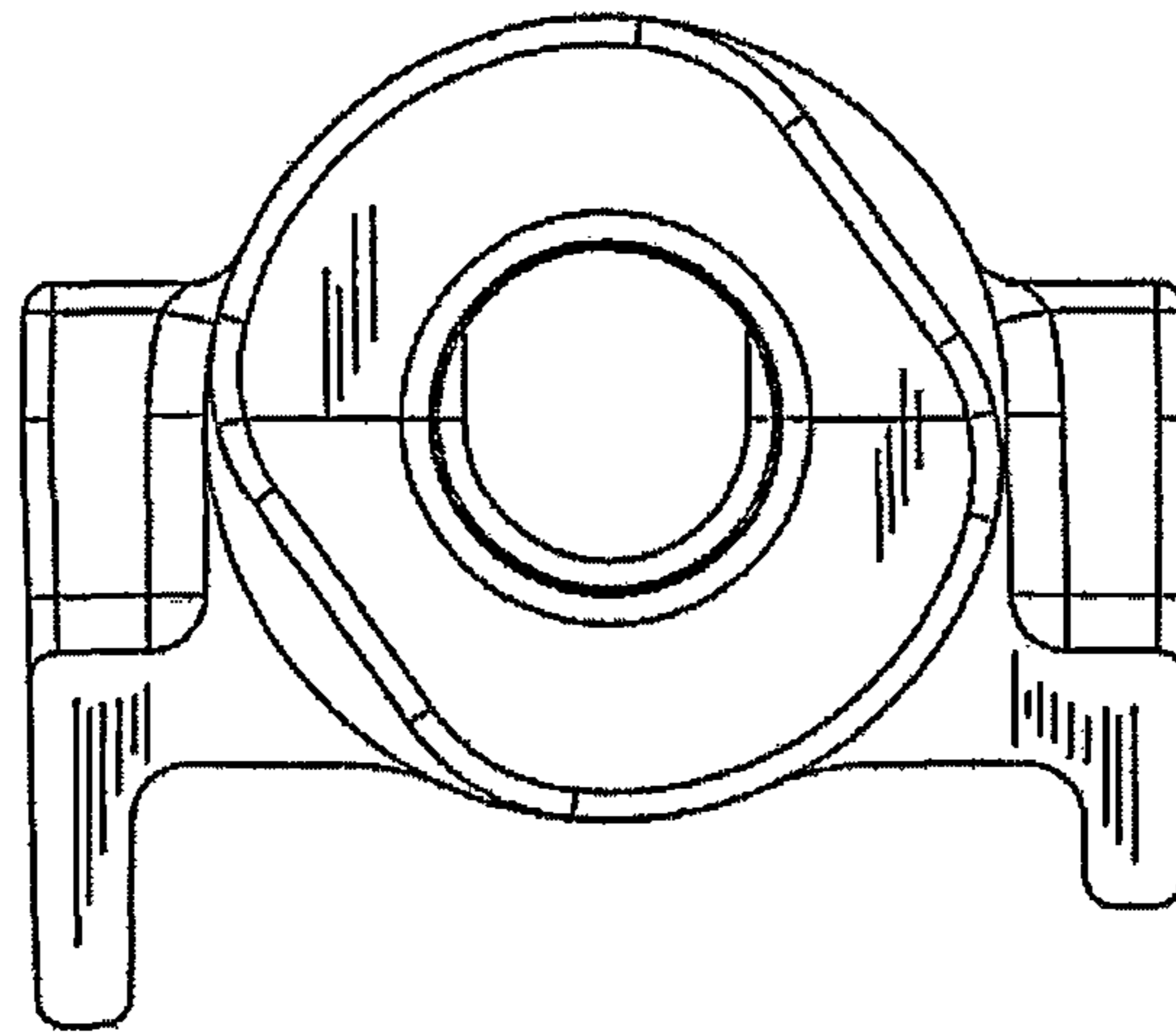


FIG. 6

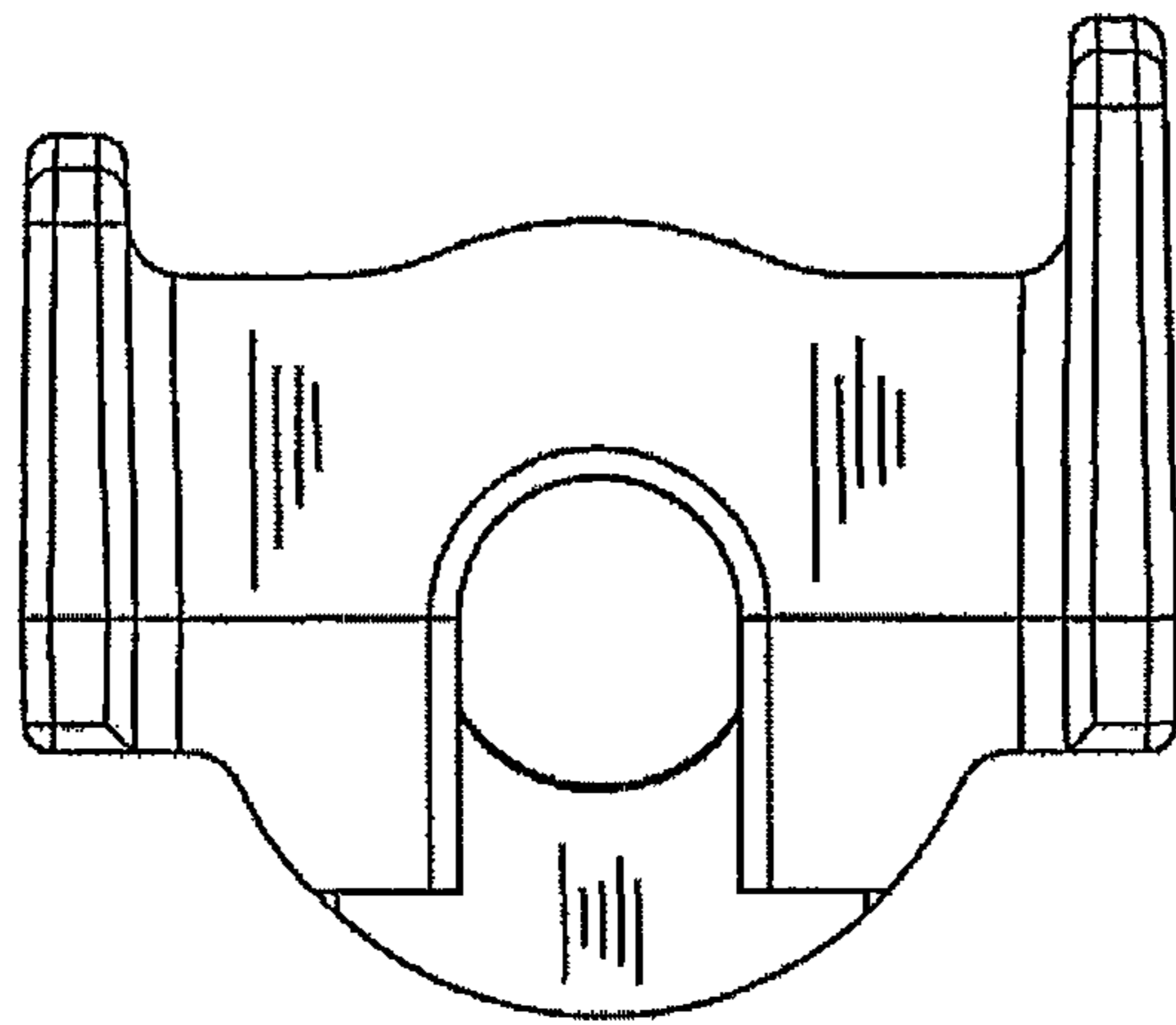


FIG. 7