



US00D731868S

(12) **United States Design Patent**
Tinius

(10) **Patent No.:** **US D731,868 S**
(45) **Date of Patent:** **** Jun. 16, 2015**

(54) **CHAINSAW**
(71) Applicant: **Andreas Stihl AG & Co. KG,**
Waiblingen (DE)
(72) Inventor: **Michael Tinius,** Ulm (DE)
(73) Assignee: **Andreas Stihl AG & CO. KG,**
Waiblingen (DE)

D649,852	S	*	12/2011	Tinius	D8/65
D649,853	S	*	12/2011	Tinius	D8/65
D663,599	S	*	7/2012	Tinius	D8/65
D681,412	S	*	5/2013	Ortlund et al.	D8/65
D690,570	S	*	10/2013	Tinius	D8/65
D702,098	S	*	4/2014	Landberg	D8/65
2003/0188618	A1	*	10/2003	Menzel et al.	83/801
2006/0230900	A1	*	10/2006	Bergquisto	83/381

(**) Term: **14 Years**
(21) Appl. No.: **29/444,651**
(22) Filed: **Feb. 1, 2013**

(30) **Foreign Application Priority Data**
Sep. 7, 2012 (EP) 002098970-0002
(51) **LOC (10) Cl.** **08-03**
(52) **U.S. Cl.**
USPC **D8/65**
(58) **Field of Classification Search**
USPC D8/65, 7, 8, 9, 70, 66, 67, 62, 63, 64,
D8/61, 91; 30/386, 383, 382, 371, 123,
30/381; 125/21; D21/532; 83/832, 833,
83/834; 123/185.3
See application file for complete search history.

(56) **References Cited**
U.S. PATENT DOCUMENTS
D606,829 S 12/2009 Tinius
D607,293 S * 1/2010 Tinius D8/65
D633,353 S * 3/2011 Tinius D8/65
D633,766 S 3/2011 Tinius
D640,111 S * 6/2011 Tinius D8/65
D641,603 S * 7/2011 Tinius D8/65
D645,315 S * 9/2011 Tinius D8/65

OTHER PUBLICATIONS

U.S. Appl. No. 29/387,947, Tinius.

* cited by examiner

Primary Examiner — Austin Murphy

(74) *Attorney, Agent, or Firm* — McGuire Woods LLP

(57) **CLAIM**

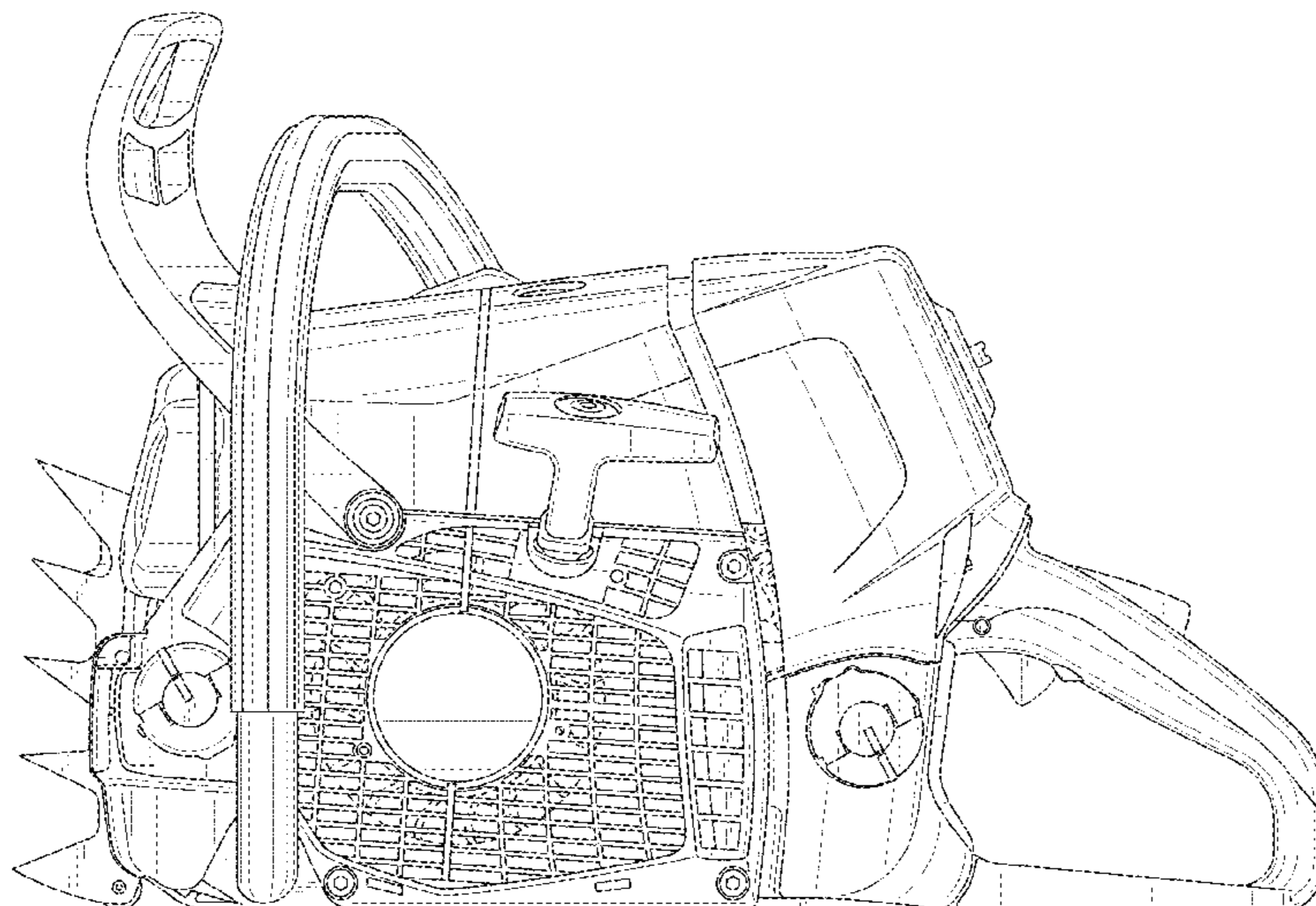
I claim the ornamental design for a chainsaw, as shown and described.

DESCRIPTION

FIG. 1 is a right side perspective view of the chainsaw; FIG. 2 is a front view of the chainsaw shown in FIG. 1; FIG. 3 is a rear view of the chainsaw shown in FIG. 1; FIG. 4 is a left side view of the chainsaw shown in FIG. 1; FIG. 5 is a right side view of the chainsaw shown in FIG. 1; FIG. 6 is a top view of the chainsaw shown in FIG. 1; and, FIG. 7 is a bottom view of the chainsaw shown in FIG. 1. Applicant expressly reserves the right to modify FIGS. 1-7 to include, in line drawing format, any one or all of the features shown (i.e., shown in either dashed-lines or solid lines) in FIGS. 1-7.

The subject matter shown in dashed lines, and any surfaces of the design not shown, including interior surfaces, form no part of the claimed invention.

1 Claim, 7 Drawing Sheets



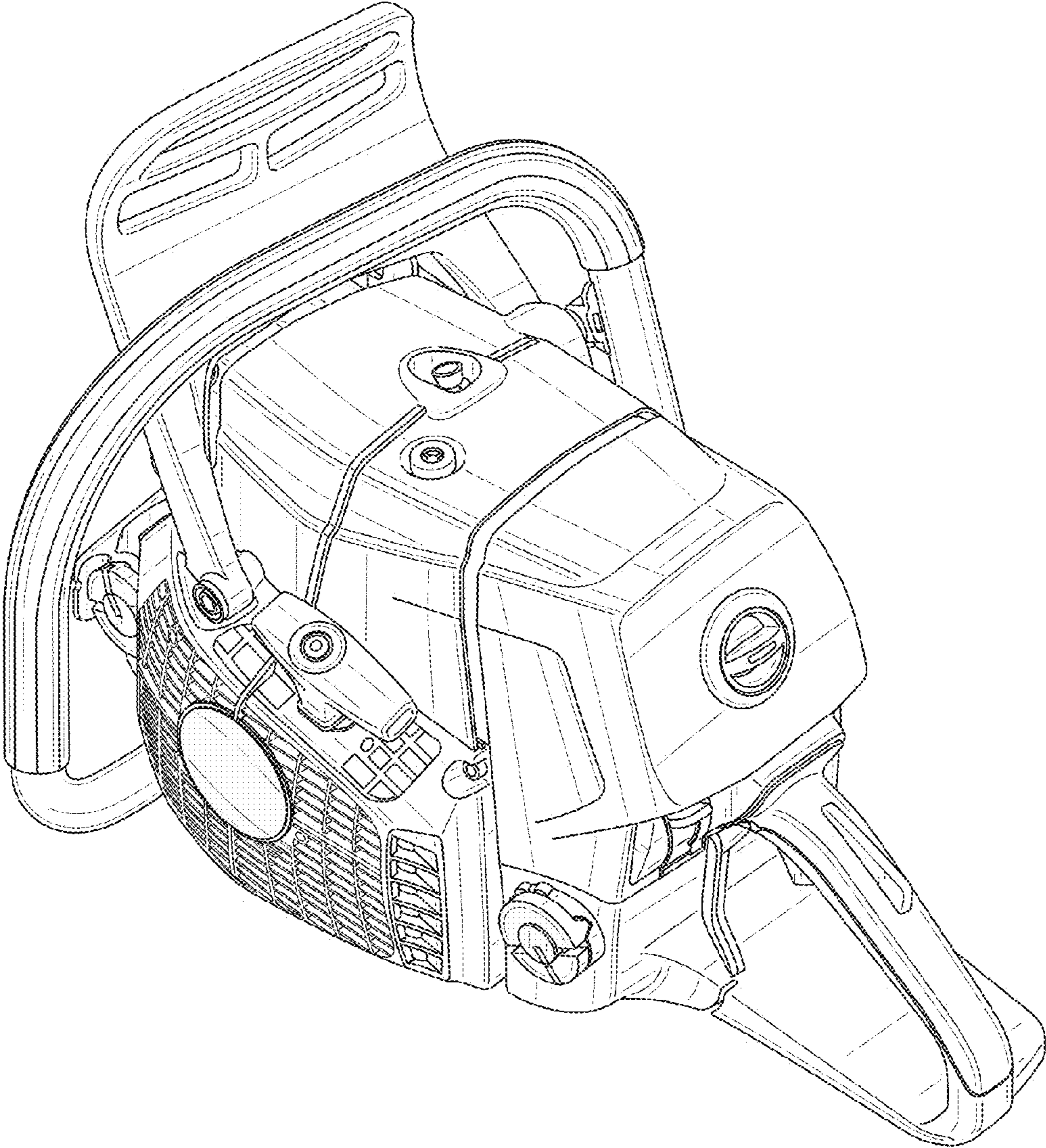


FIG. 1

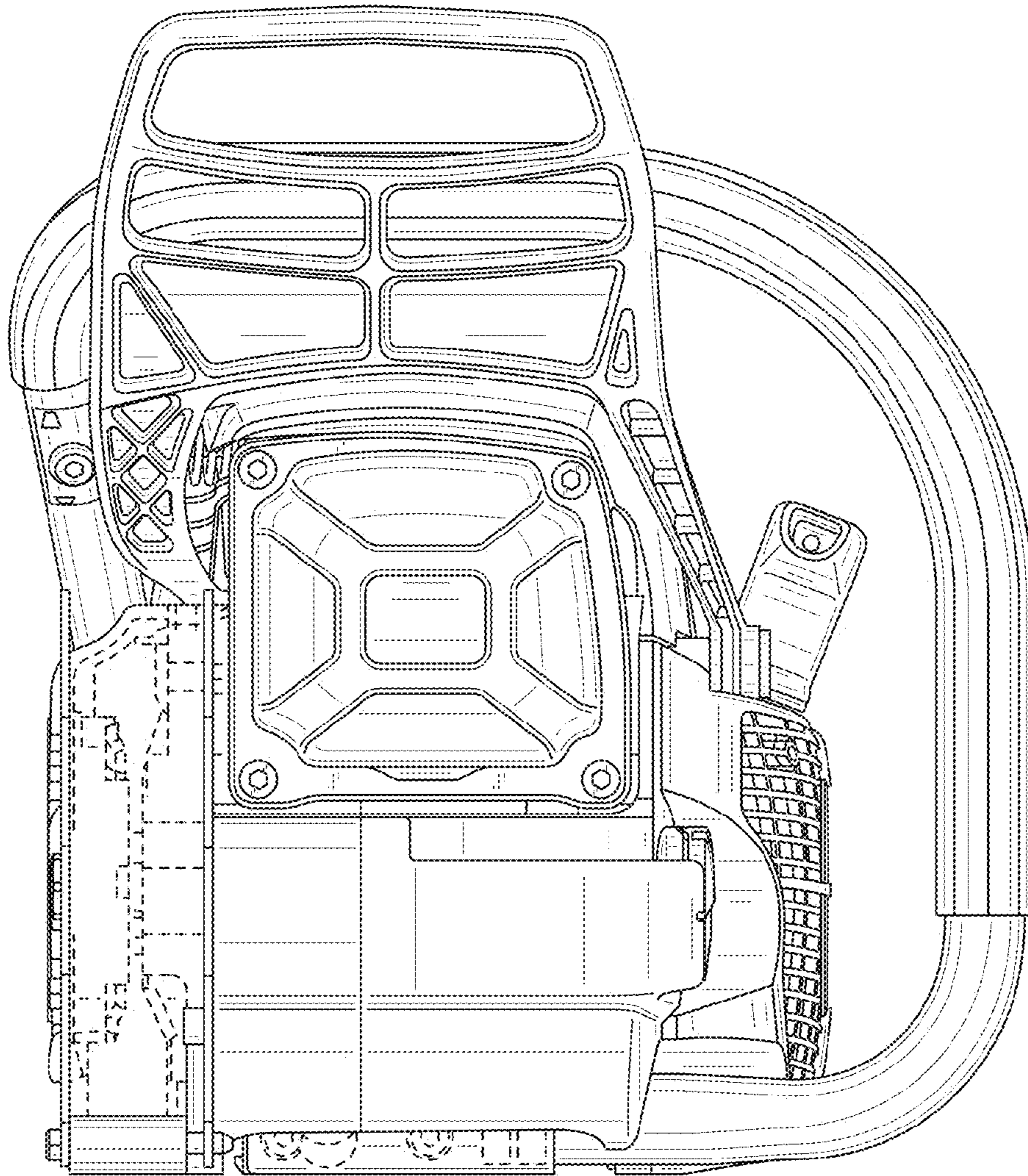


FIG. 2

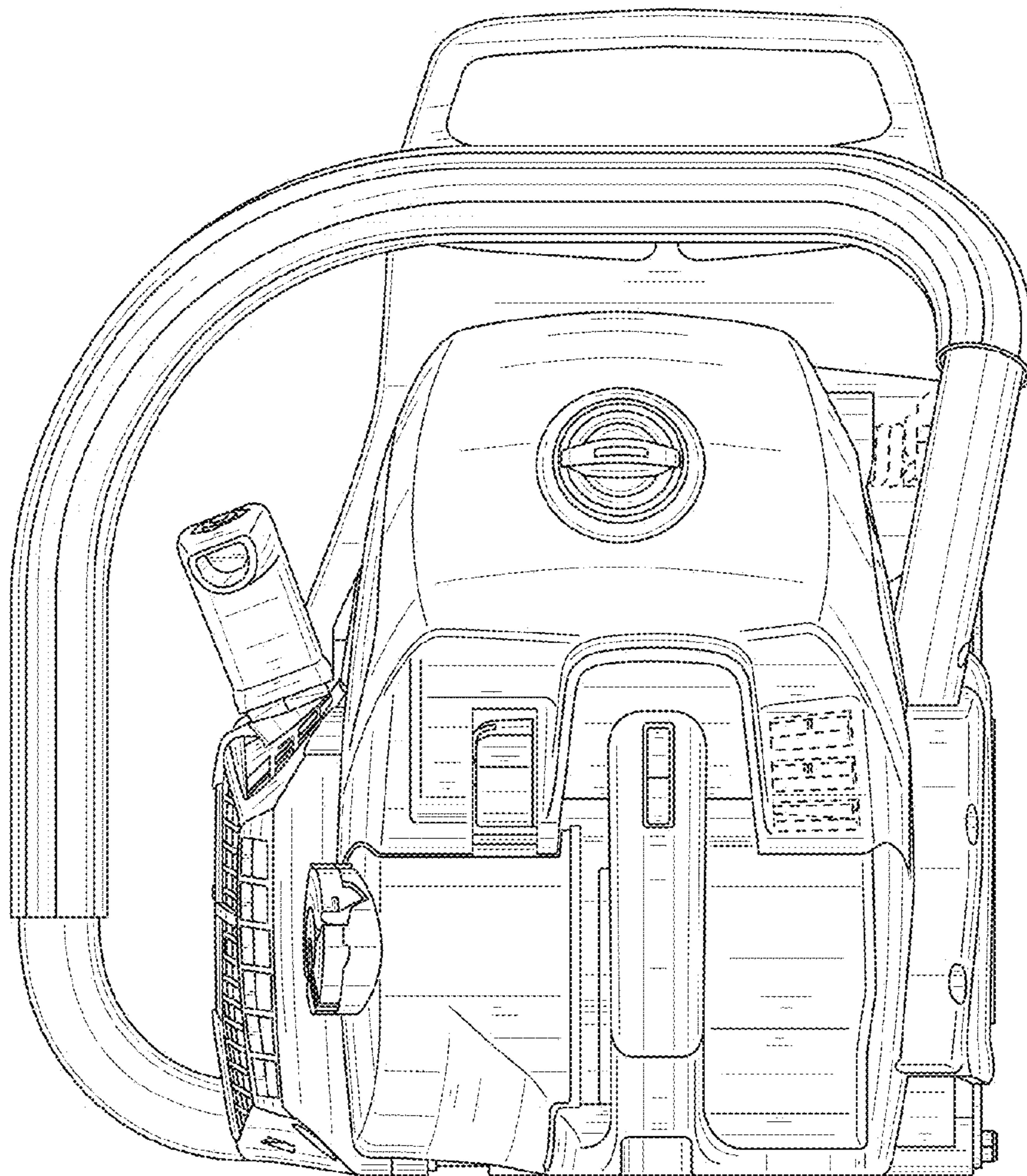


FIG. 3

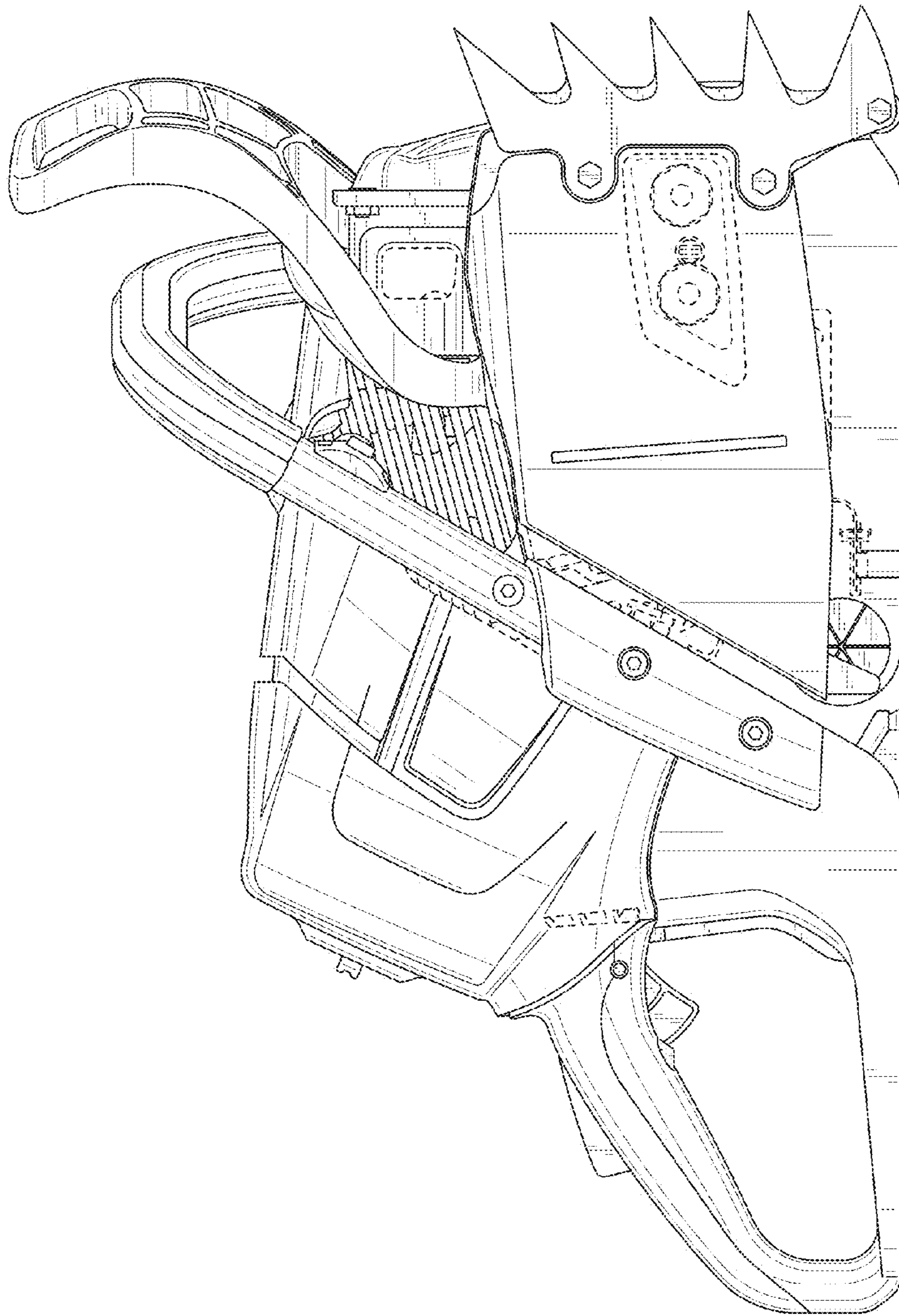


FIG. 4

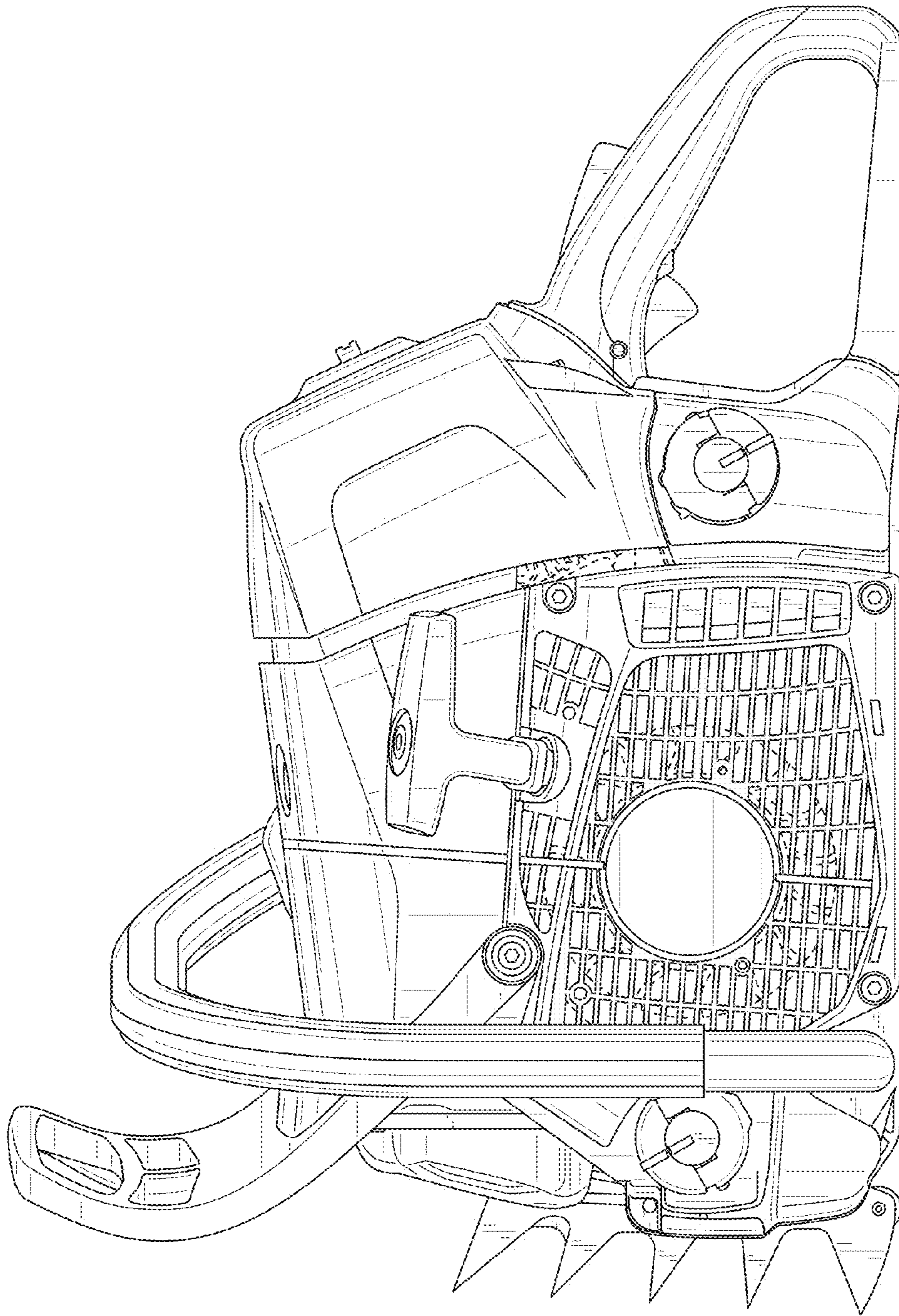


FIG. 5

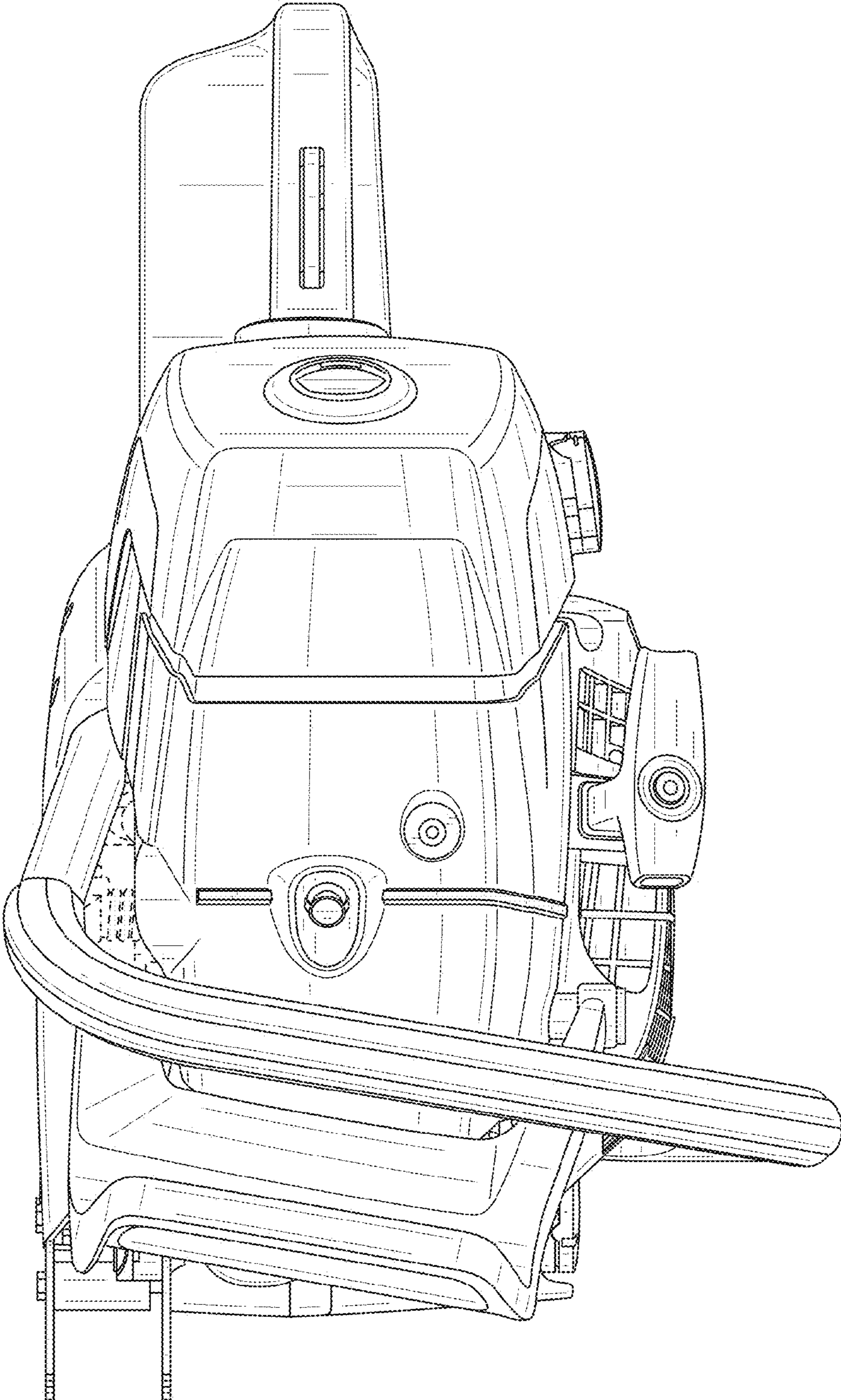


FIG. 6

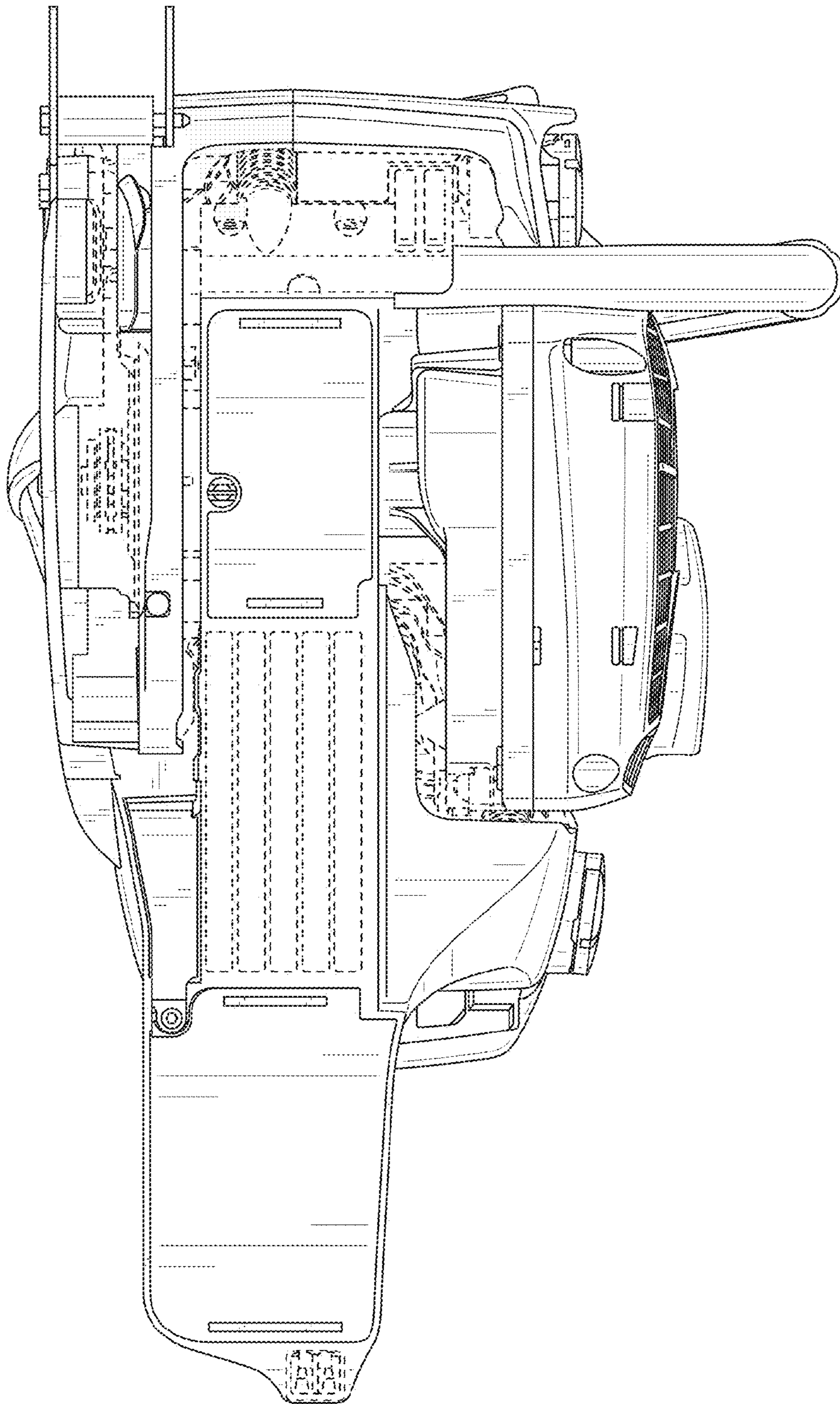


FIG. 7