

US00D731867S

(12) **United States Design Patent**  
**Paternostro**

(10) **Patent No.:** **US D731,867 S**  
(45) **Date of Patent:** **\*\* Jun. 16, 2015**

- (54) **STAKE**
- (71) Applicant: **Carlo Paternostro**, Baker, LA (US)
- (72) Inventor: **Carlo Paternostro**, Baker, LA (US)
- (\*\*) Term: **14 Years**
- (21) Appl. No.: **29/494,540**
- (22) Filed: **Jun. 20, 2014**
- (51) **LOC (10) Cl.** ..... **08-01**
- (52) **U.S. Cl.**  
USPC ..... **D8/1**
- (58) **Field of Classification Search**  
USPC ..... D8/1, 388, 391; D21/840; 47/43-47;  
135/118; 248/156; 411/452  
See application file for complete search history.

- D415,018 S \* 10/1999 Uhler ..... D21/840
- D493,205 S \* 7/2004 Combes ..... D21/840
- 7,469,865 B2 \* 12/2008 Mayorga ..... 248/85

\* cited by examiner

*Primary Examiner* — Sheryl Lane  
(74) *Attorney, Agent, or Firm* — Keaty Law Firm, LLC

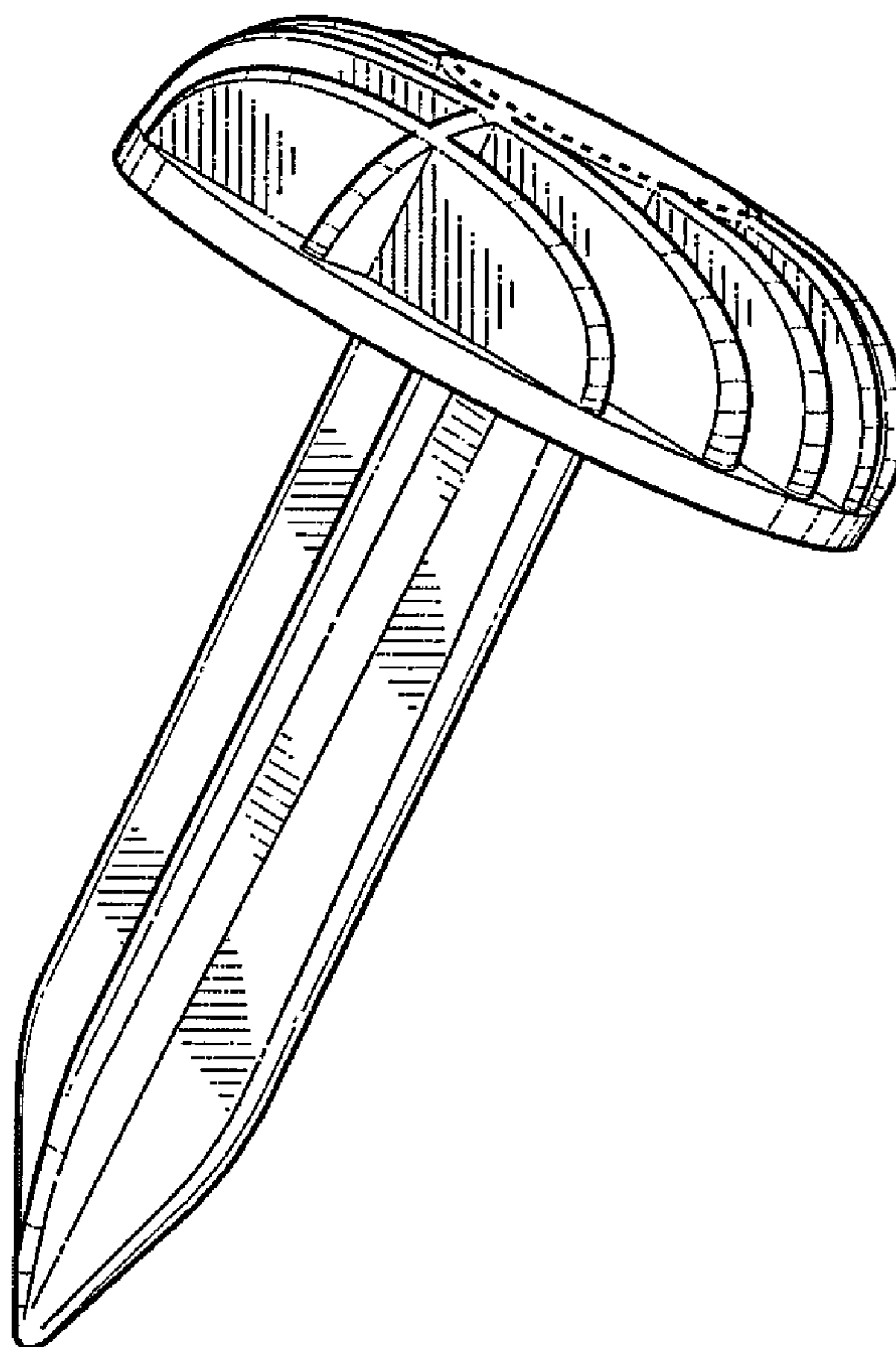
(57) **CLAIM**  
The ornamental design for a stake, as shown and described.

**DESCRIPTION**

FIG. 1 is a top view of the ornamental design for a stake according to the present invention.  
 FIG. 2 is a bottom view of the stake shown in FIG. 1.  
 FIG. 3 is a side view of the stake taken at 90 degrees from the view in FIG. 2.  
 FIG. 4 is a side view of the stake taken at 90 degrees from the view in FIG. 3.  
 FIG. 5 is a side view of the stake taken at 90 degrees from the view in FIG. 4.  
 FIG. 6 is a side view of the stake taken at 90 degrees from the view in FIG. 5; and,  
 FIG. 7 is a perspective view thereof.  
 The portions of the article shown in broken lines form no part of the claimed design.

- (56) **References Cited**  
U.S. PATENT DOCUMENTS  
3,456,660 A \* 7/1969 Borchardt ..... 135/118  
D379,416 S \* 5/1997 Adams ..... D8/1  
D380,569 S \* 7/1997 Garber ..... D8/388  
D403,930 S \* 1/1999 Gotoh ..... D8/1  
D404,981 S \* 2/1999 Wu ..... D8/1

**1 Claim, 2 Drawing Sheets**



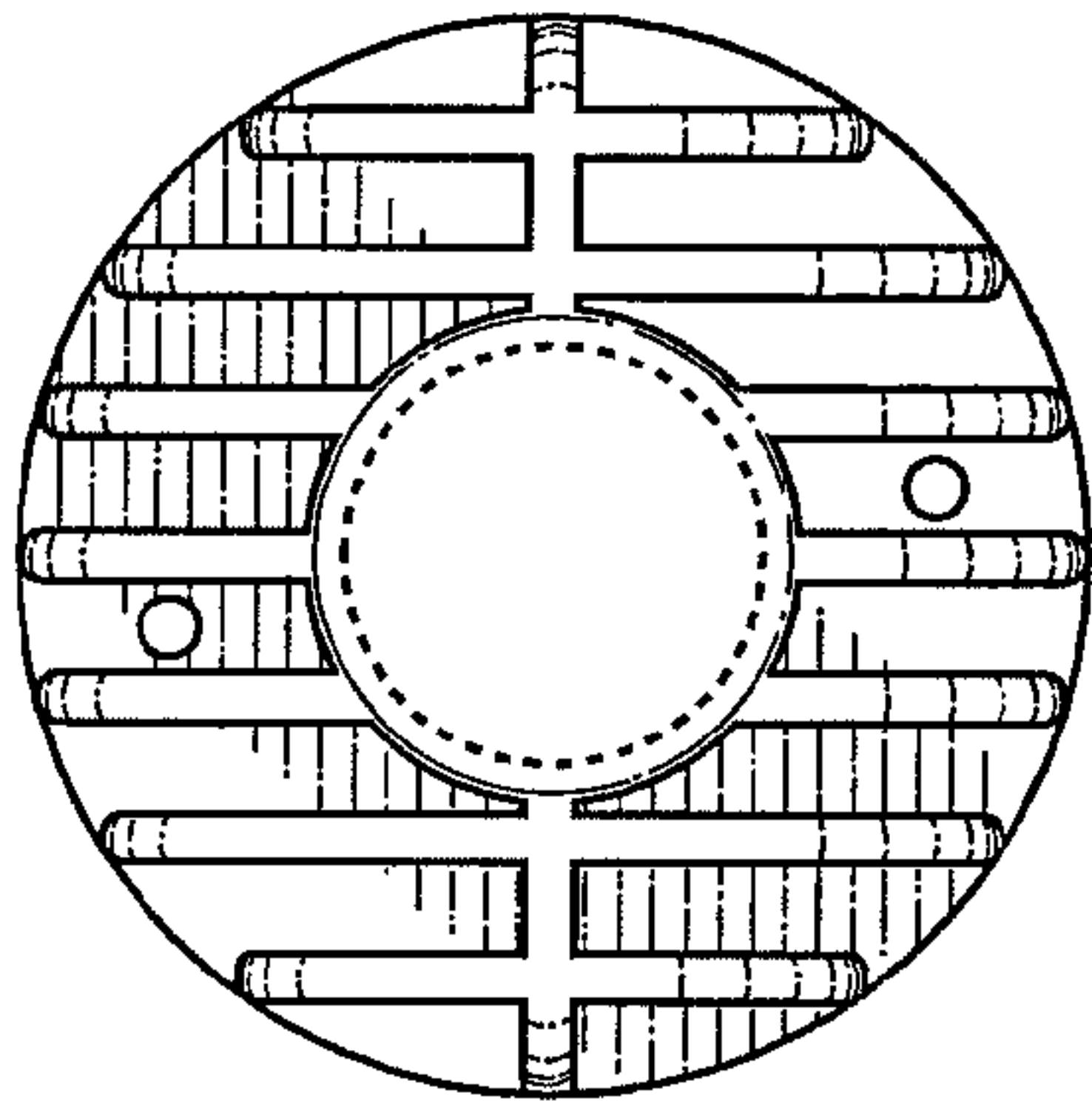


FIG. 1

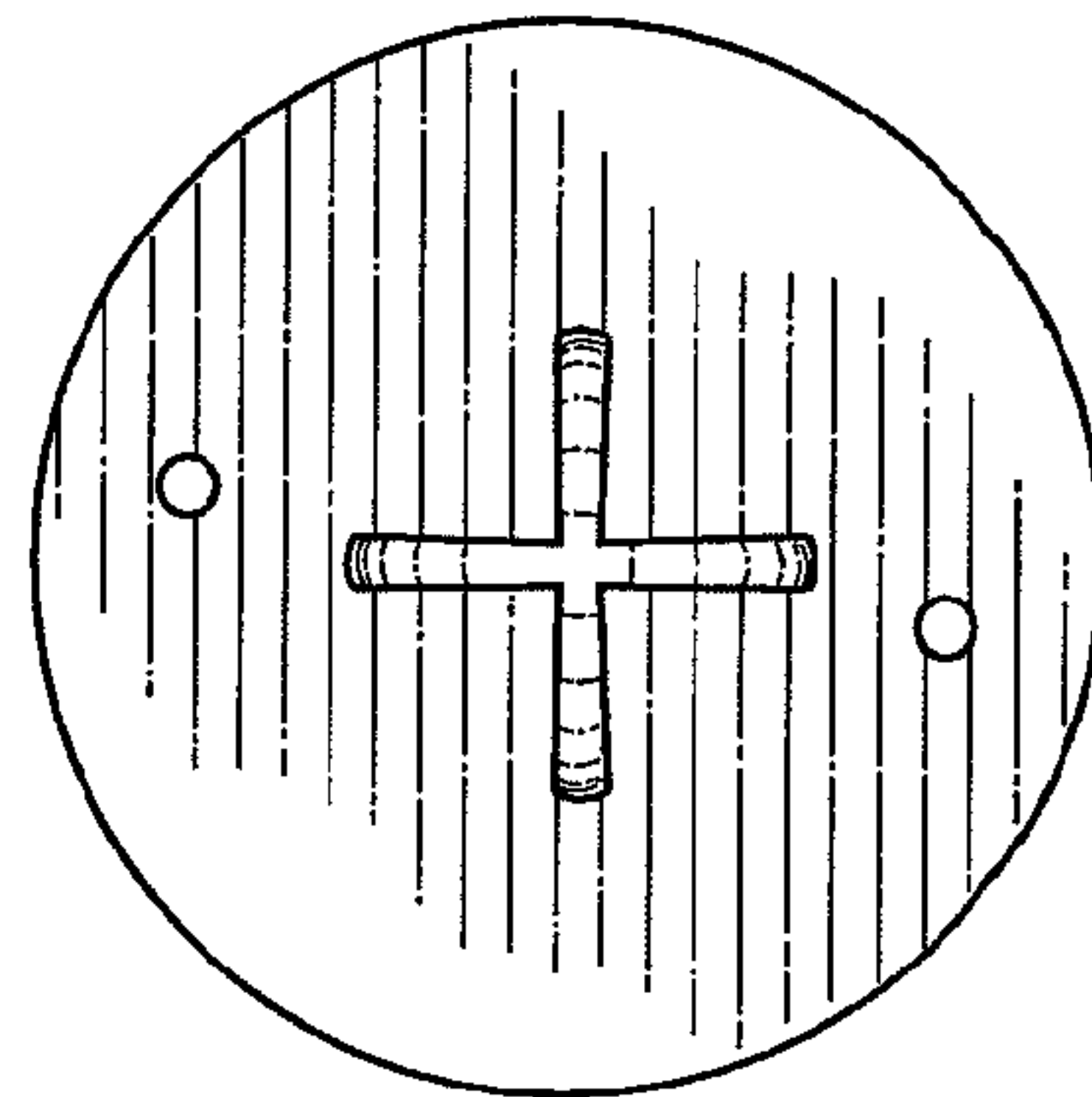


FIG. 2

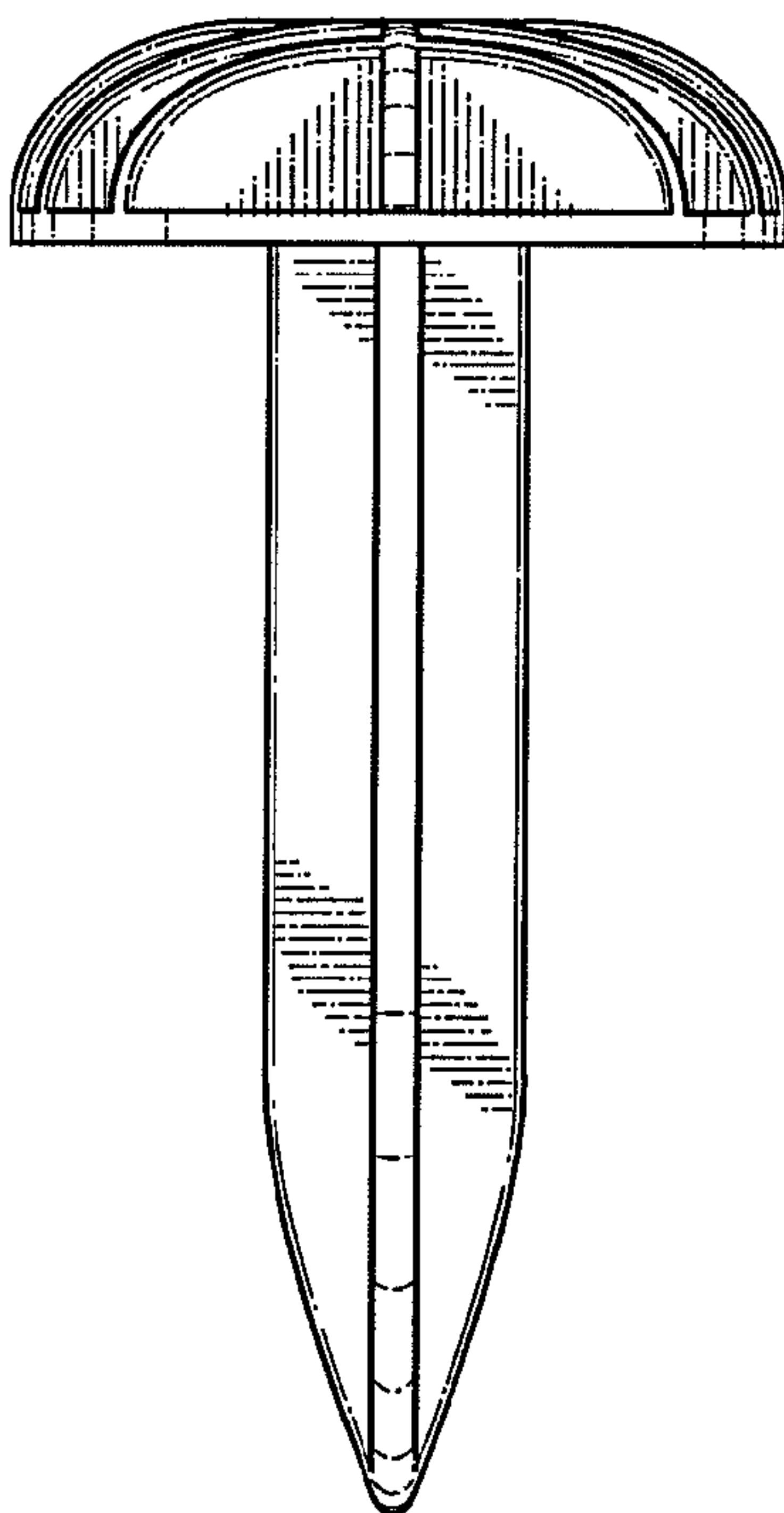


FIG. 3

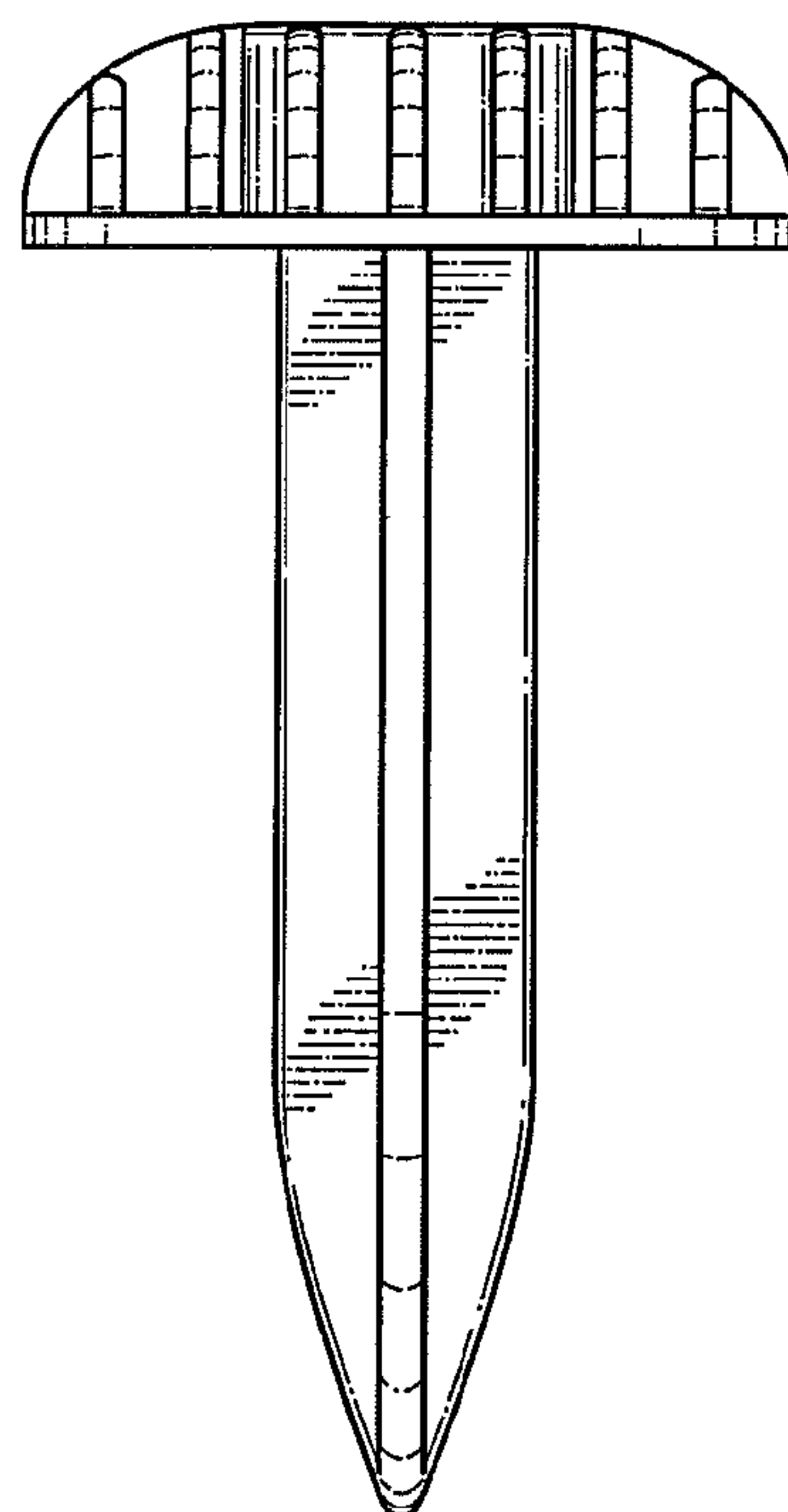


FIG. 4

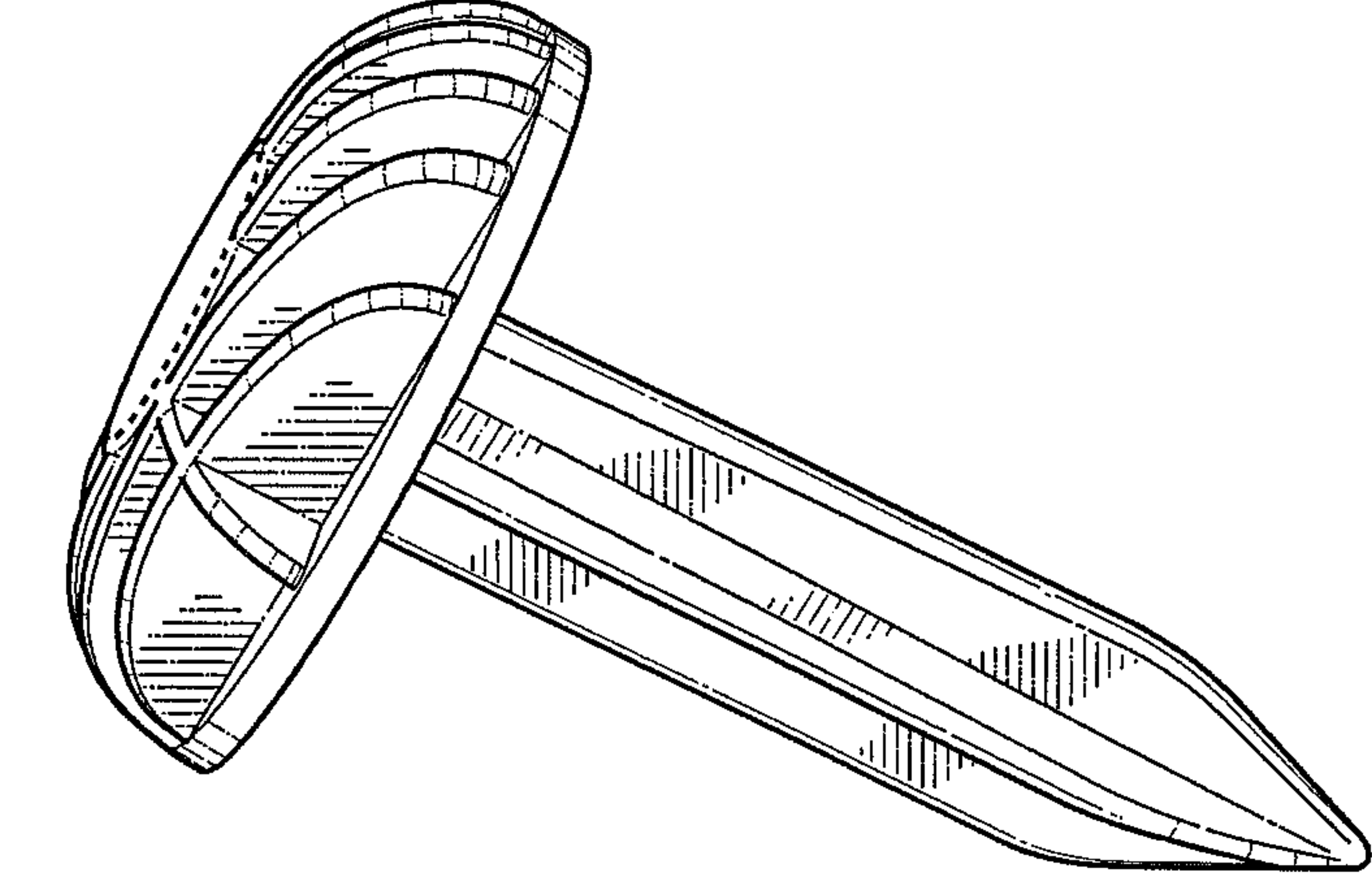


FIG. 5

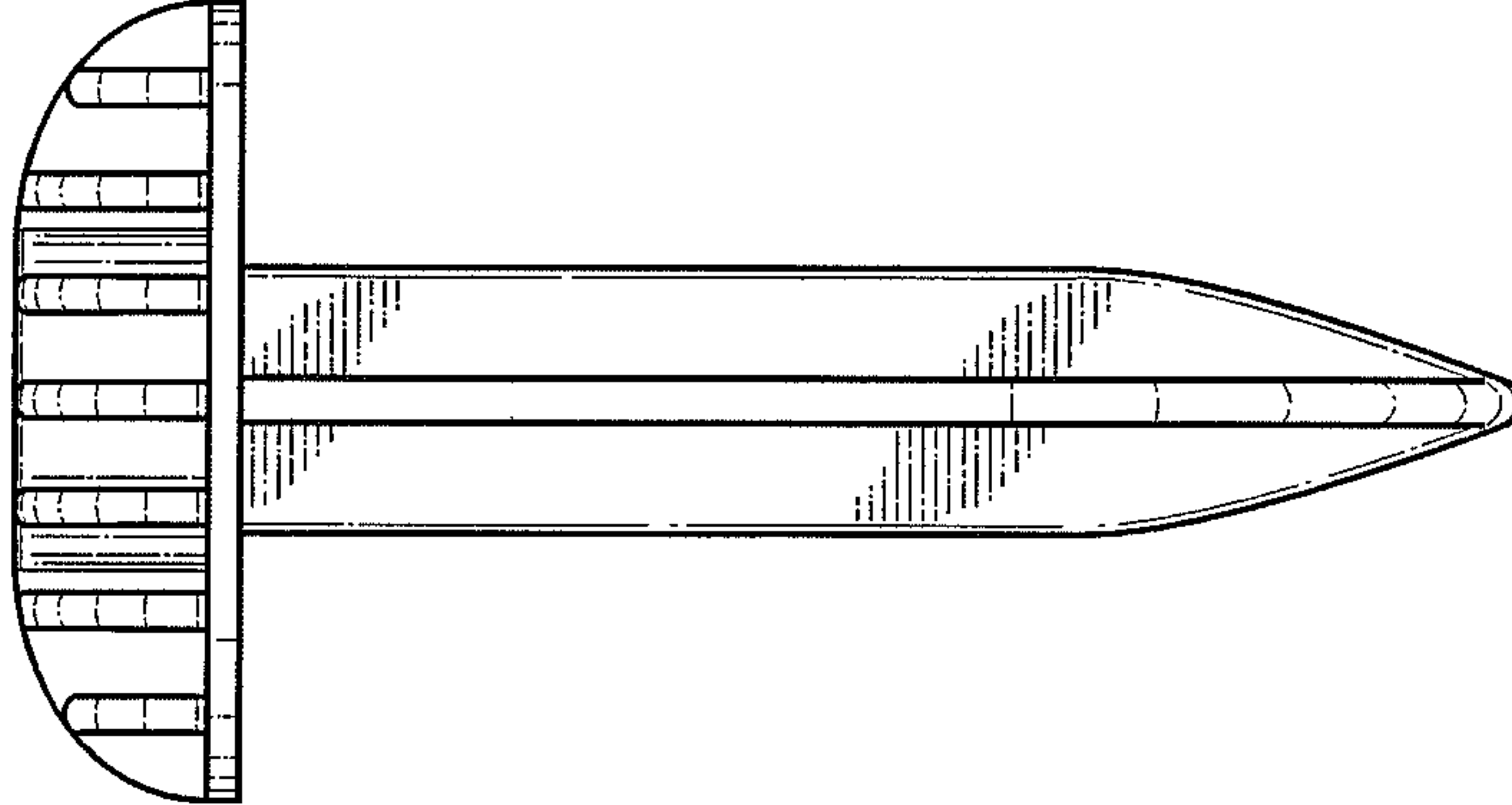


FIG. 6

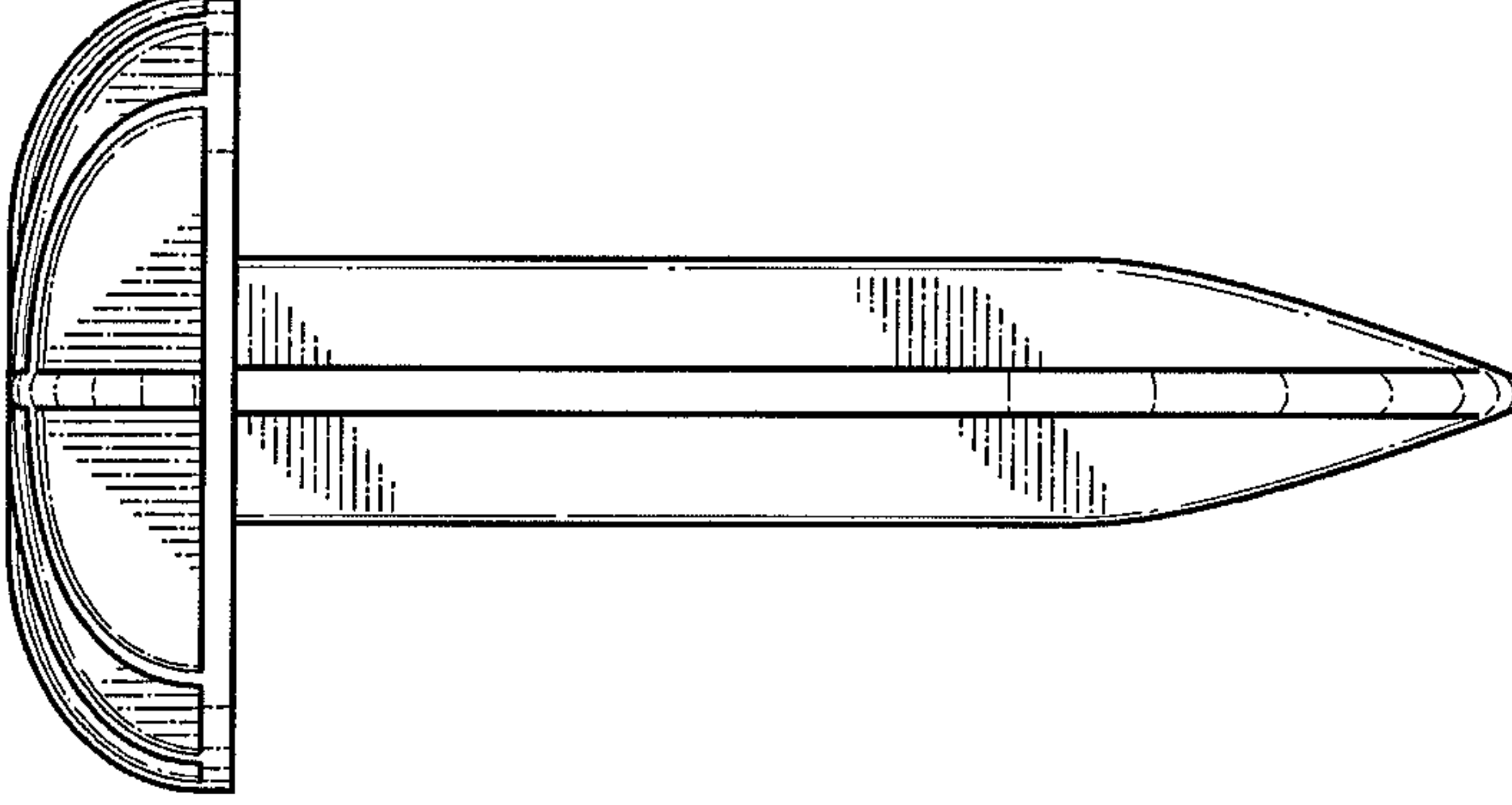


FIG. 7