



US00D731865S

(12) **United States Design Patent**  
**Griffin et al.**

(10) **Patent No.:** **US D731,865 S**  
(45) **Date of Patent:** **\*\* Jun. 16, 2015**

(54) **DEVICE FOR STORING AND SHREDDING HERBS**

(71) Applicants: **Jeremy Griffin**, Lancaster, CA (US);  
**Jacob Griffin**, Lancaster, CA (US)

(72) Inventors: **Jeremy Griffin**, Lancaster, CA (US);  
**Jacob Griffin**, Lancaster, CA (US)

(\*\*) Term: **14 Years**

(21) Appl. No.: **29/520,929**

(22) Filed: **Mar. 18, 2015**

(51) **LOC (10) Cl.** ..... **07-06**

(52) **U.S. Cl.**

USPC ..... **D7/693**; D7/629; D7/679; D7/372

(58) **Field of Classification Search**

USPC ..... D7/693, 679, 372, 629; 30/302, 301,  
30/303, 315, 316, 263; 241/168, 169.1,  
241/92, 95, 36, 101.2, 169, 199.12,  
241/273.1-273.4, 285.2, 282.1;  
222/142.1-142.9, 480

CPC ..... A47J 42/14; A47J 42/50; A47J 19/04;  
A47J 43/04; B02C 19/00

See application file for complete search history.

(56) **References Cited**

**U.S. PATENT DOCUMENTS**

795,746	A	7/1905	Wingfield	
2,602,596	A *	7/1952	Jones et al.	241/169.1
2,690,881	A	11/1952	Mantelet	
2,726,816	A	12/1955	Brantley	
3,581,790	A	6/1971	Conte	
4,212,430	A	7/1980	Dale	
4,366,930	A	1/1983	Trombetti	
5,007,592	A *	4/1991	Poncy	241/169.1

(Continued)

**OTHER PUBLICATIONS**

macys.com, Mar. 17, 2015, Internet printout: [http://www1.macys.com/shop/product/martha-stewart-collection-...6-\\_-77-\\_-MP677&LinkshareID=Hy3bqNL2jtQ-x72BMtPbUDGIZ0.8W9HrHQ](http://www1.macys.com/shop/product/martha-stewart-collection-...6-_-77-_-MP677&LinkshareID=Hy3bqNL2jtQ-x72BMtPbUDGIZ0.8W9HrHQ).

(Continued)

*Primary Examiner* — Terry Wallace

(74) *Attorney, Agent, or Firm* — Decisis LLP

(57) **CLAIM**

The ornamental design for a device for storing and shredding herbs, as shown and described.

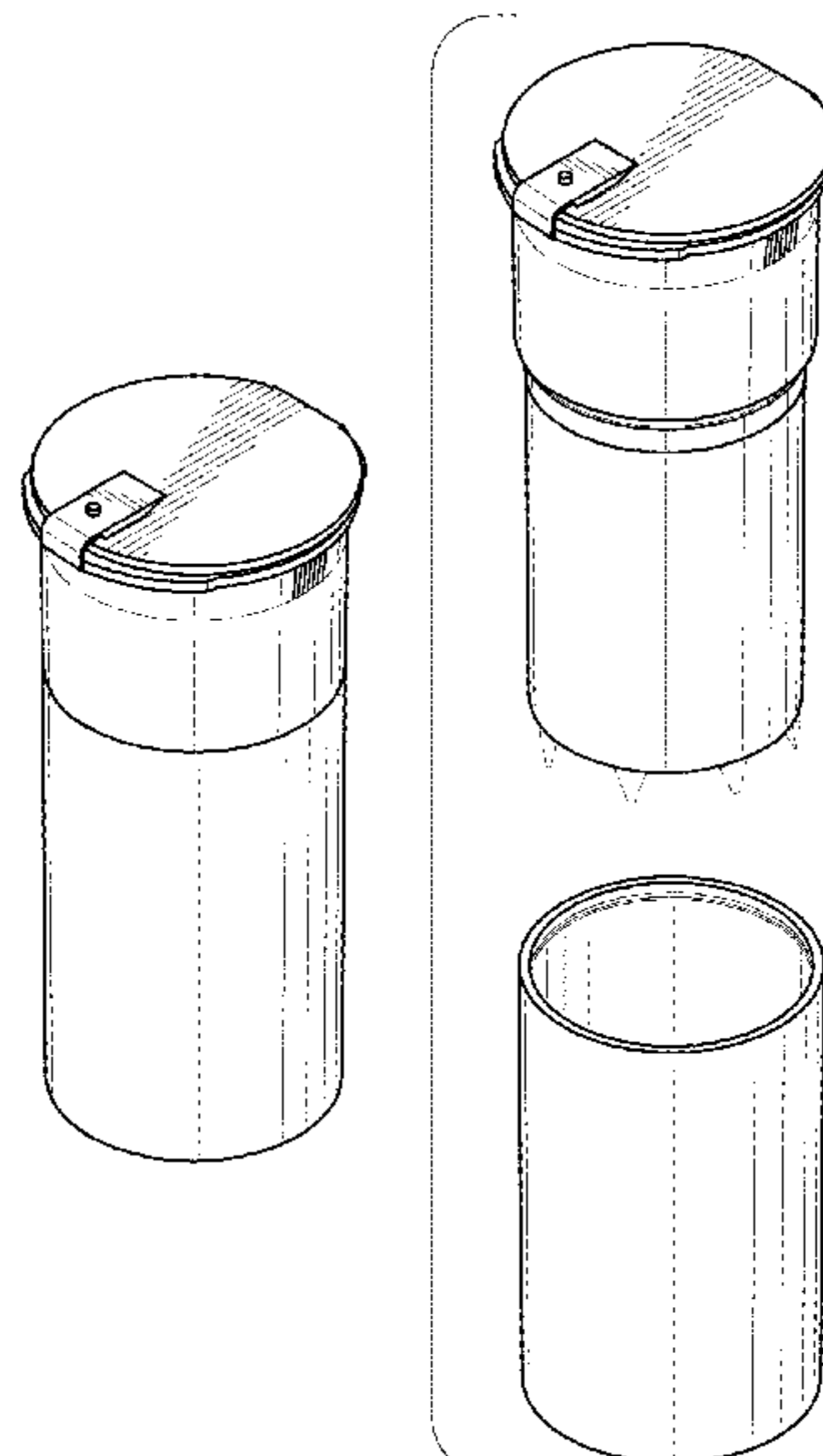
**DESCRIPTION**

FIG. 1 is a perspective view embodying the inventive design; FIG. 2 is an exploded perspective view thereof showing the sleeve at the bottom and the storage receptacle at the top; FIG. 3 is a front view of the device thereof; FIG. 4 is a side view of the device thereof; FIG. 5 is a back view of the device thereof; FIG. 6 is a top view of the device thereof; FIG. 7 is a bottom view of the device thereof; FIG. 8 is a front view of the storage receptacle thereof; FIG. 9 is a side view of the storage receptacle thereof; FIG. 10 is a back view of the storage receptacle thereof; FIG. 11 is a top view of the storage receptacle thereof; FIG. 12 is a bottom view of the storage receptacle thereof; FIG. 13 is a side view of the sleeve thereof; FIG. 14 is a top view of the sleeve thereof; FIG. 15 is a bottom view of the sleeve thereof; and, FIG. 16 is a perspective view of the device thereof with lid open.

The broken line showing is for the purpose of illustrating portions of the article or environmental structure and forms no part of the claimed design.

The storage receptacle and sleeve are shown separately for clarity of illustration.

**1 Claim, 5 Drawing Sheets**



(56)

**References Cited**

U.S. PATENT DOCUMENTS

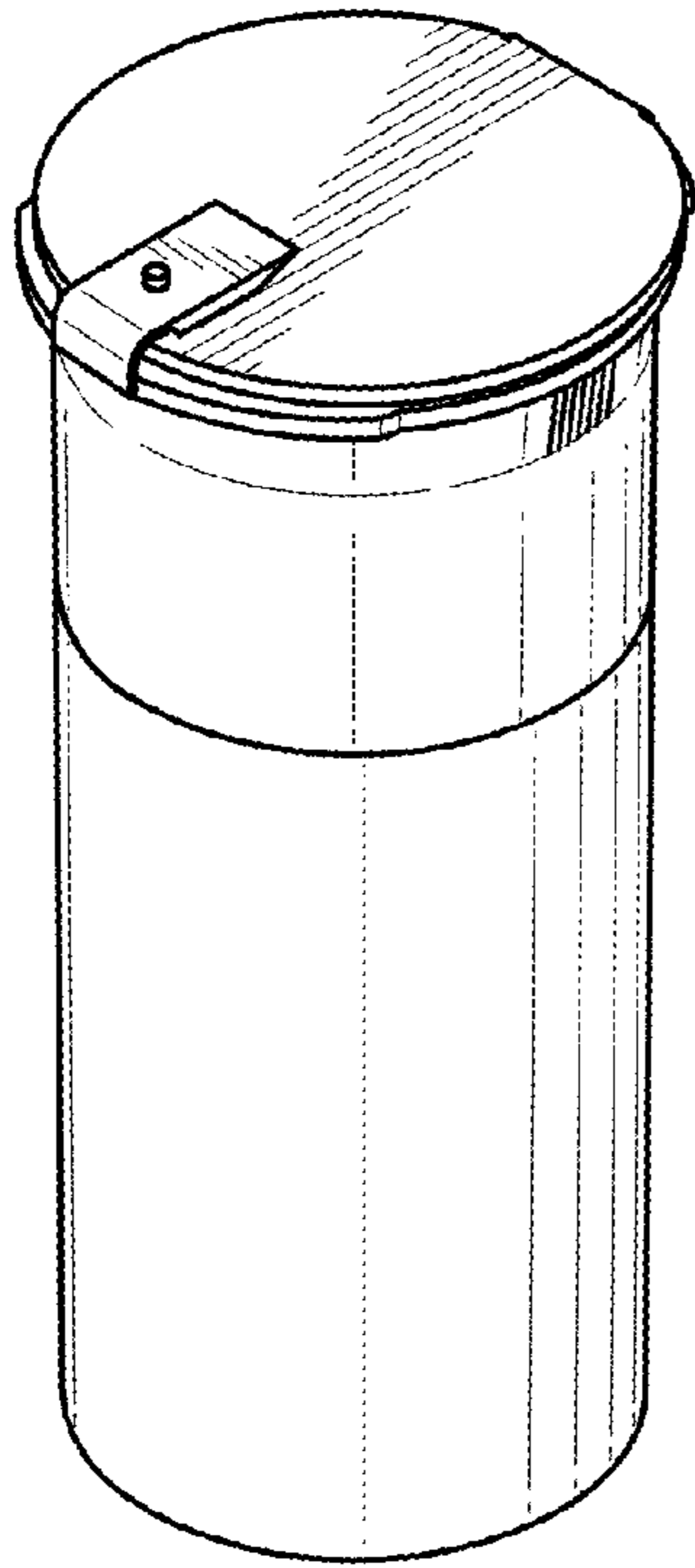
5,071,663 A \* 12/1991 Dugan ..... 241/168  
 5,322,227 A 6/1994 Fiocchi  
 5,660,342 A 8/1997 Bock  
 5,865,384 A 2/1999 Pai  
 6,412,717 B1 7/2002 Menelaou  
 6,663,031 B2 \* 12/2003 Henderson et al. .... 241/169.1  
 6,834,817 B2 12/2004 Manson  
 6,945,486 B2 9/2005 Teng  
 D558,528 S \* 1/2008 Hauser ..... D7/601  
 7,367,519 B2 5/2008 de Groote  
 7,422,170 B2 9/2008 Bao  
 7,422,362 B2 9/2008 Sands  
 7,886,999 B2 2/2011 Ruzycky  
 D634,989 S 3/2011 Griffin  
 D635,413 S 4/2011 Griffin  
 8,220,732 B2 \* 7/2012 Griffin et al. .... 241/169.1  
 8,393,563 B2 3/2013 Chaoui  
 D689,347 S \* 9/2013 Hainbach ..... D7/693

8,695,906 B2 4/2014 Hainbach  
 8,783,595 B2 \* 7/2014 Delbridge et al. .... 241/169.1  
 2003/0015611 A1 1/2003 Teng  
 2007/0262182 A1 \* 11/2007 de Groote et al. .... 241/169.1  
 2010/0301806 A1 12/2010 Ormaza  
 2012/0097774 A1 4/2012 Hainbach

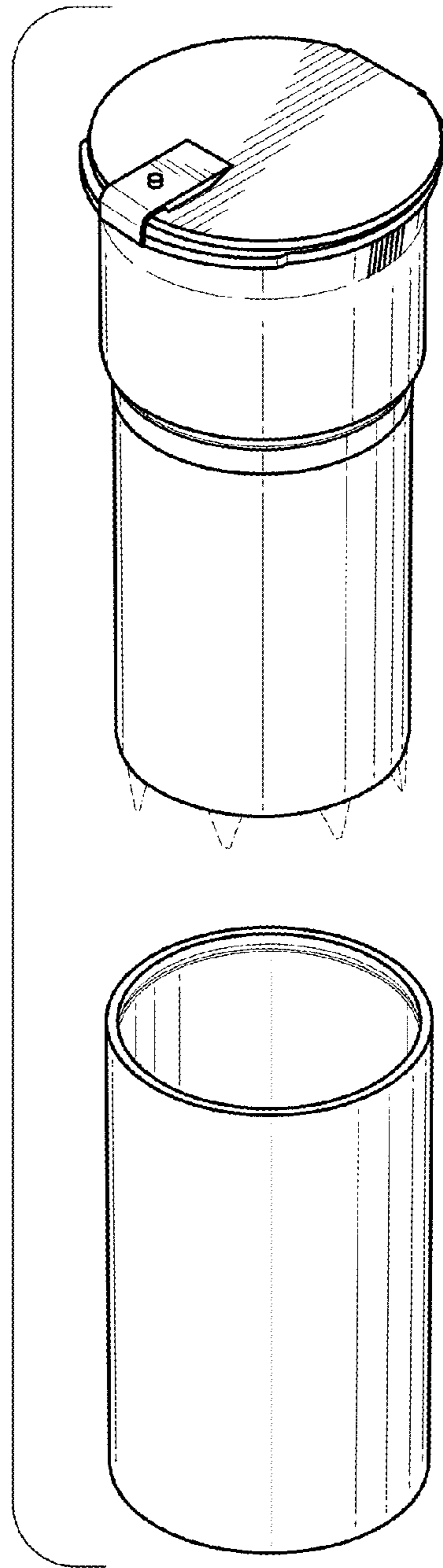
OTHER PUBLICATIONS

amazon.com, Mar. 17, 2015, Internet printout: <http://www.amazon.com/Platinum-Grinders-Large-Piece-Grinder...camp%3D2025%26creative%3D165953%26creativeASIN%3DB00QUIA27C>.  
 fortmeyers.com, Mar. 17, 2015, Internet printout: <https://www.fortmeyersvapor.com/shop/santa-cruz-shredder-dry-herb-grinder/>.  
 smokingculturenyc.com, Mar. 17, 2015, Internet printout: <http://www.smokingculturenyc.com/grinders/>.  
 sharpstonegrinders.com, Mar. 17, 2015, Internet printout: <http://www.sharpstonegrinders.com/xl-sharpstone-clear-top-4-piece-grinder-3-silver/>.

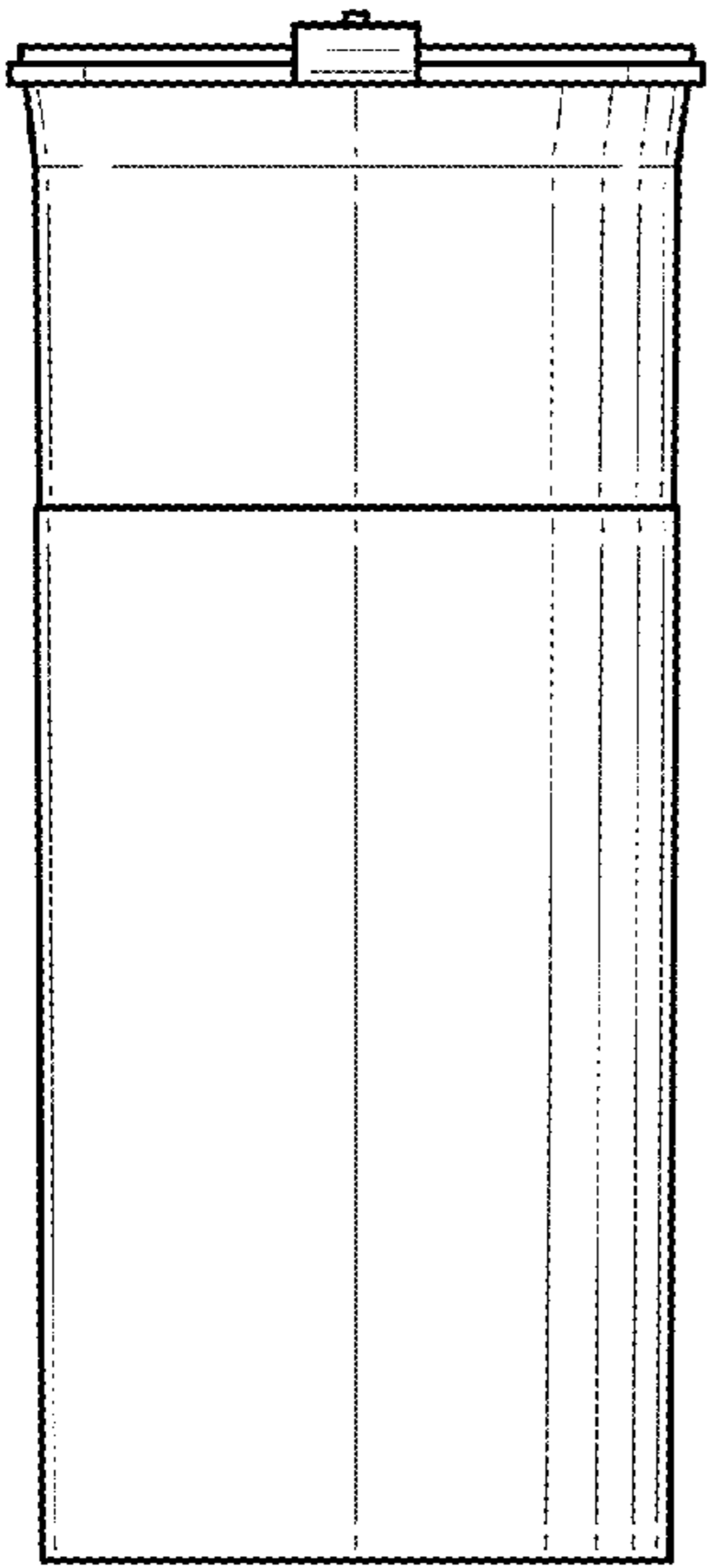
\* cited by examiner



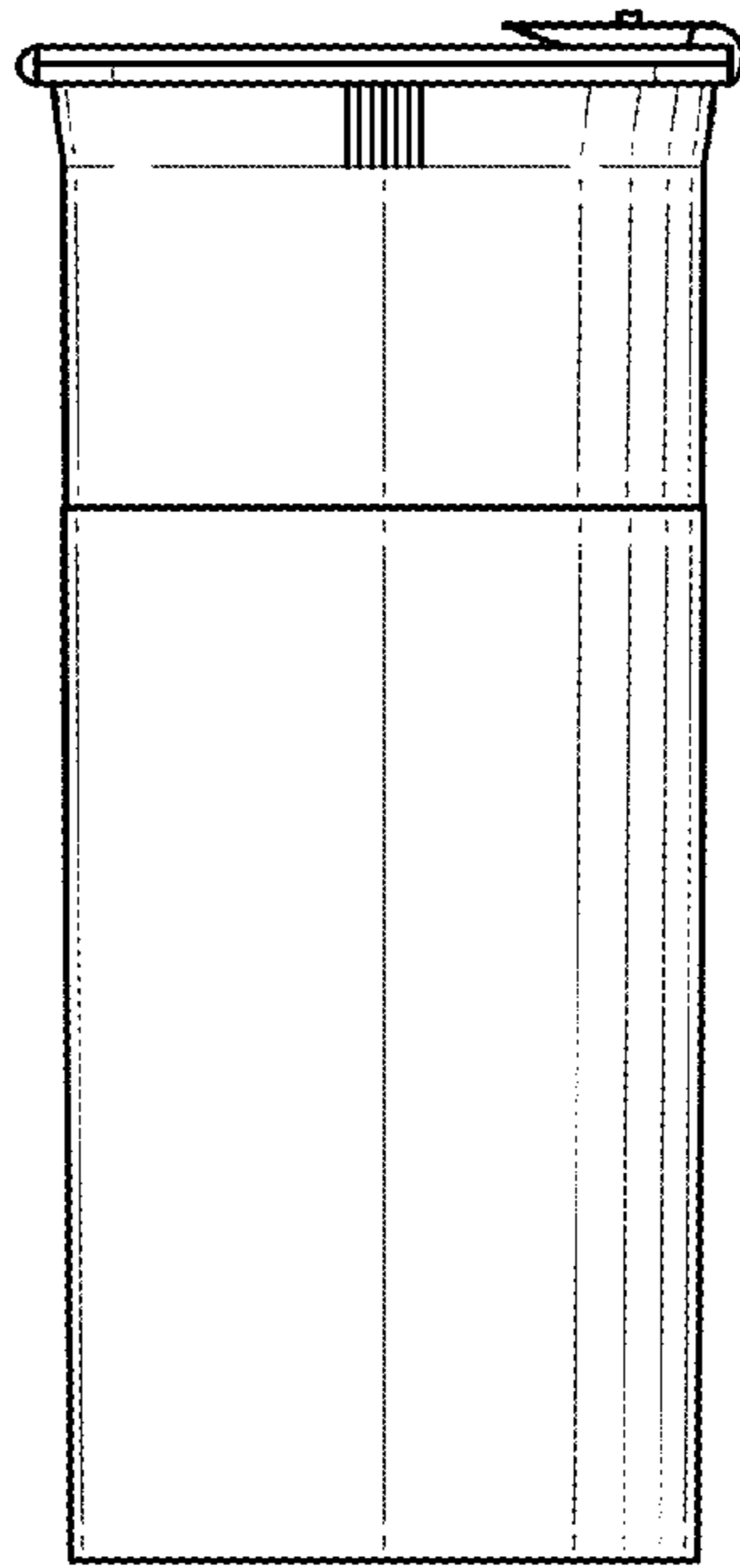
**FIG. 1**



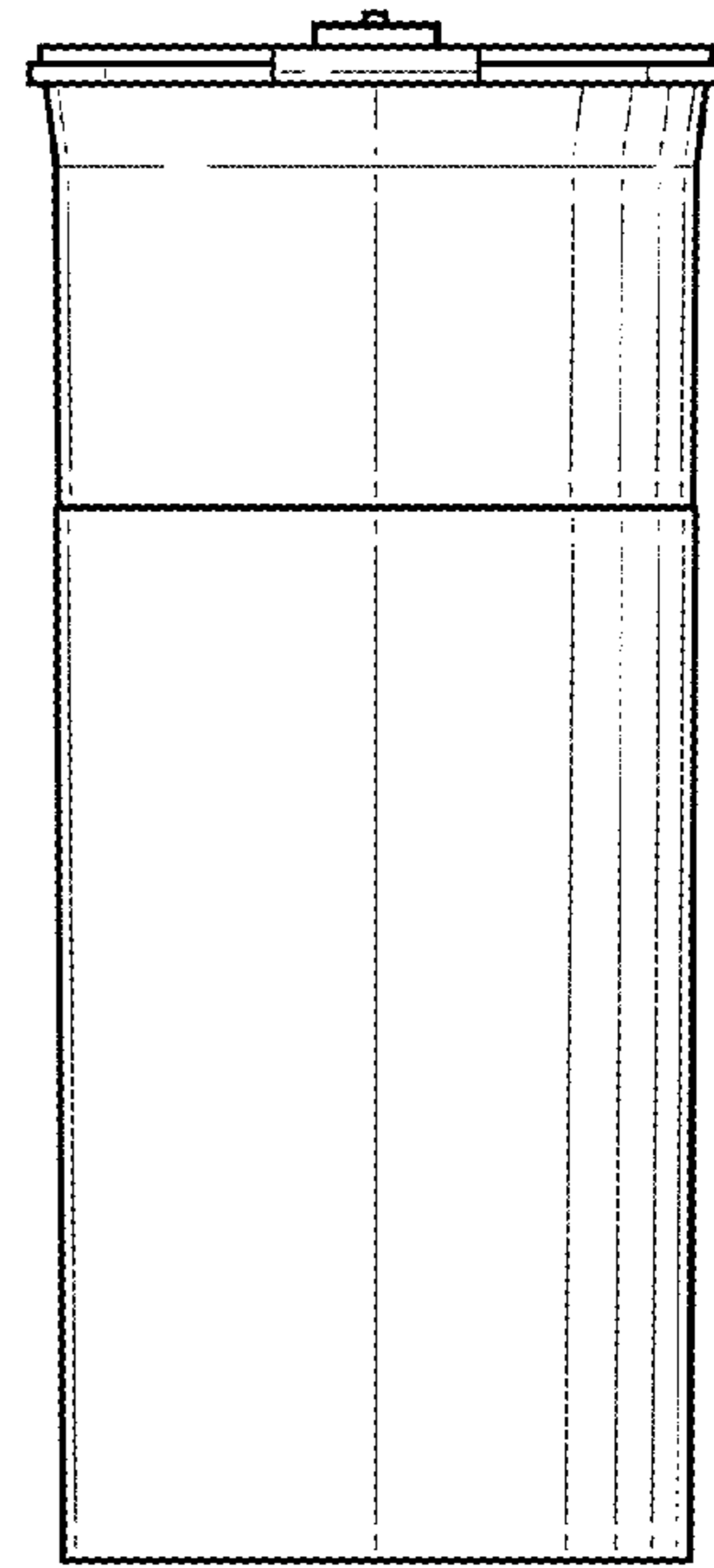
**FIG. 2**



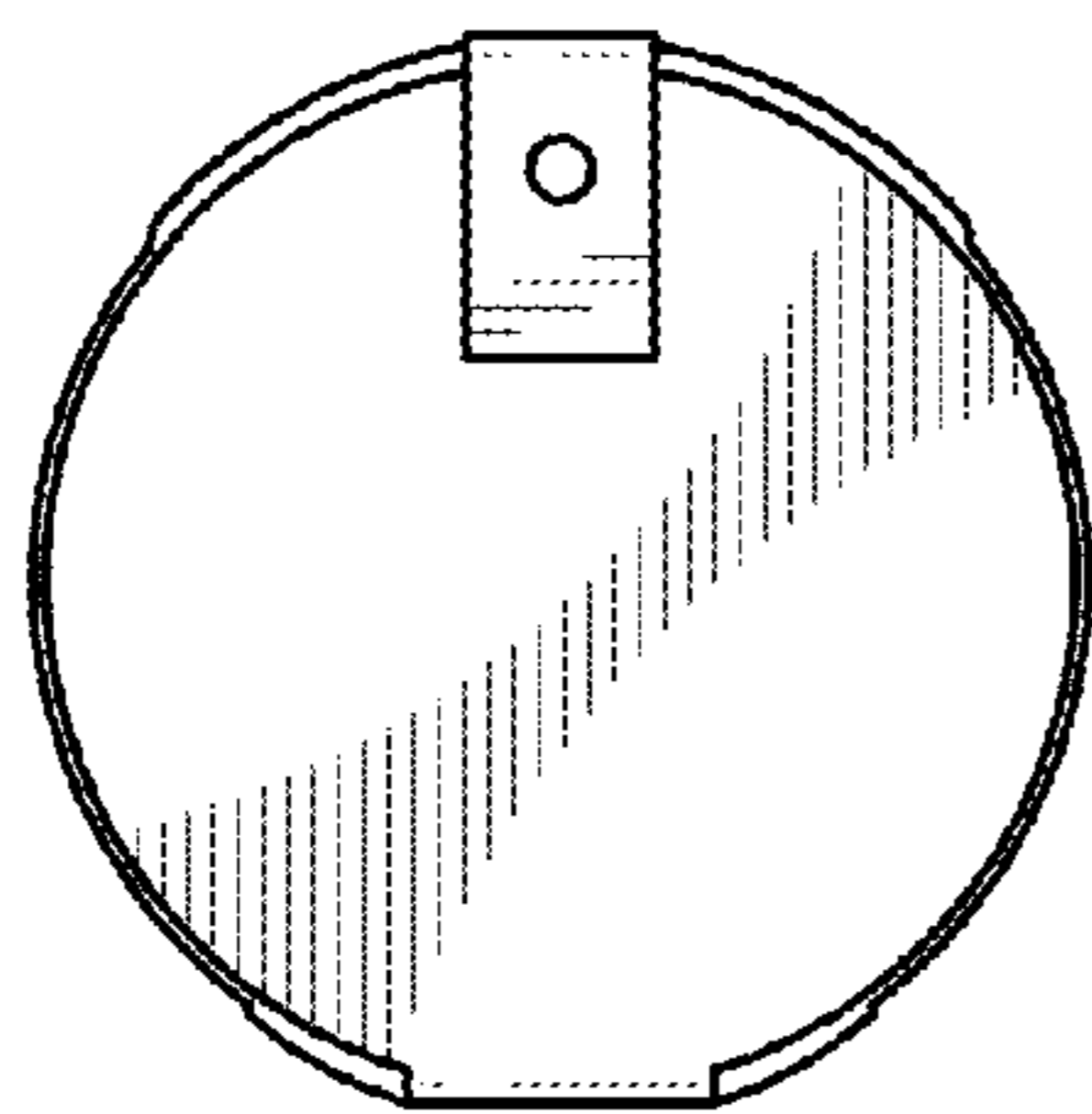
*FIG. 3*



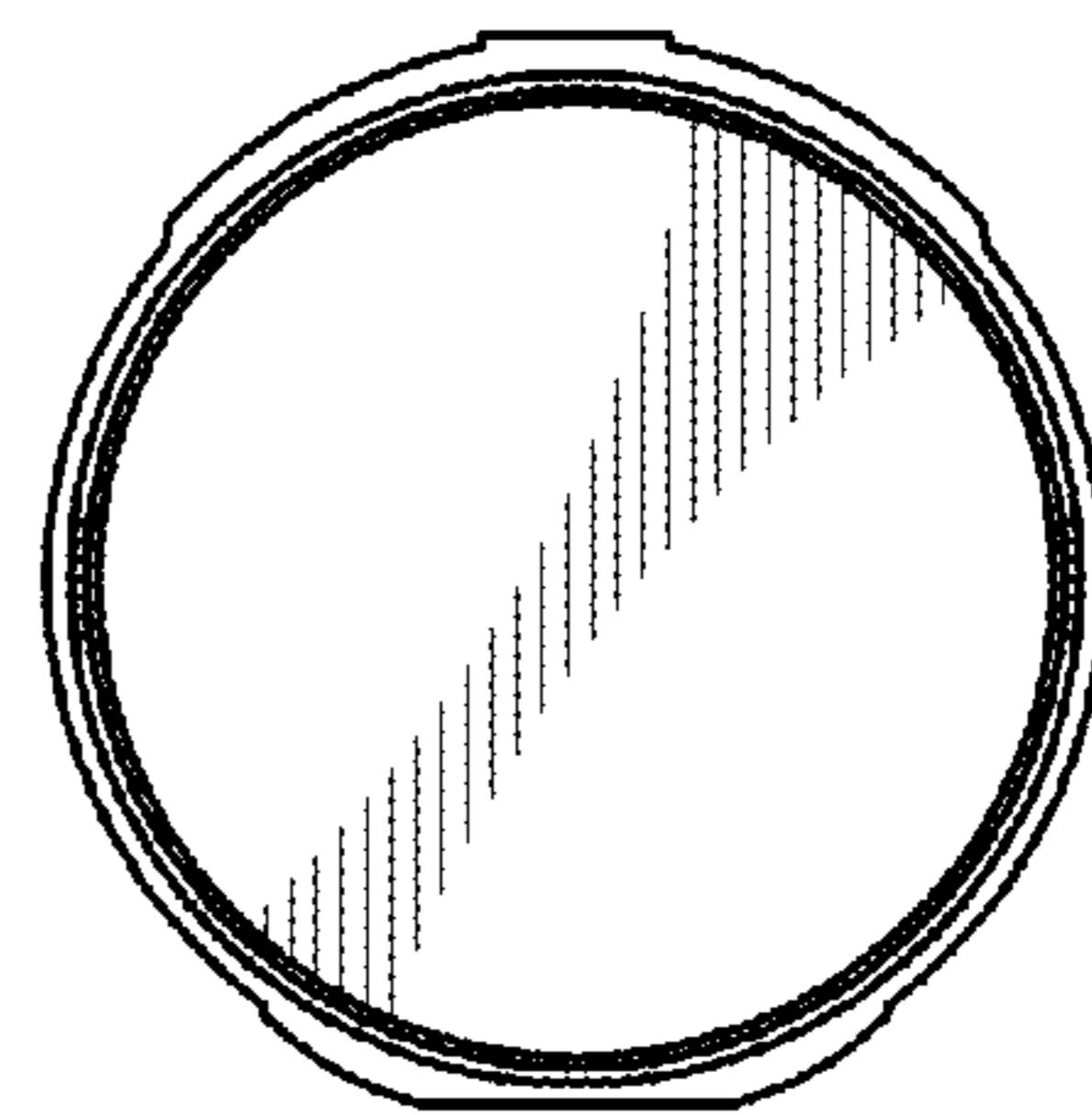
*FIG. 4*



*FIG. 5*

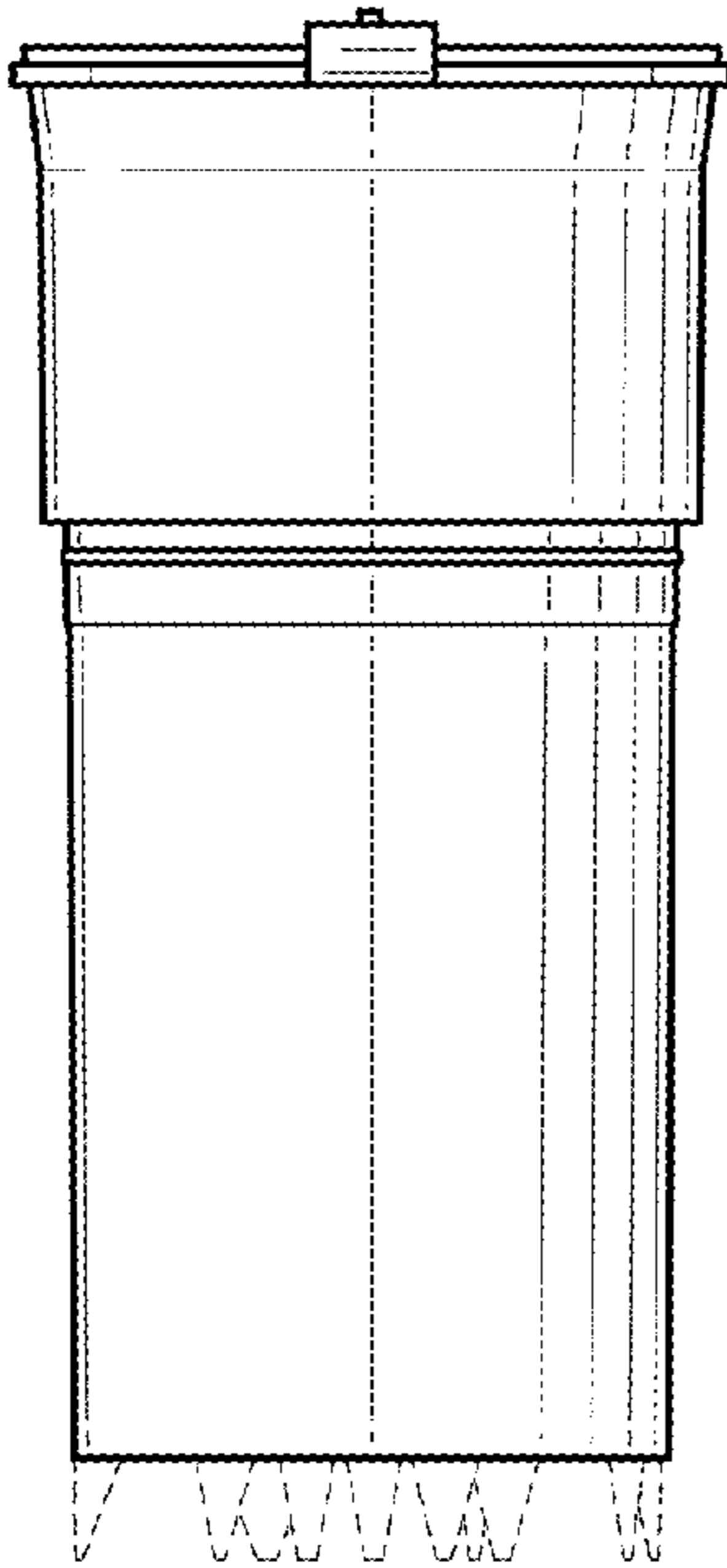


*FIG. 6*

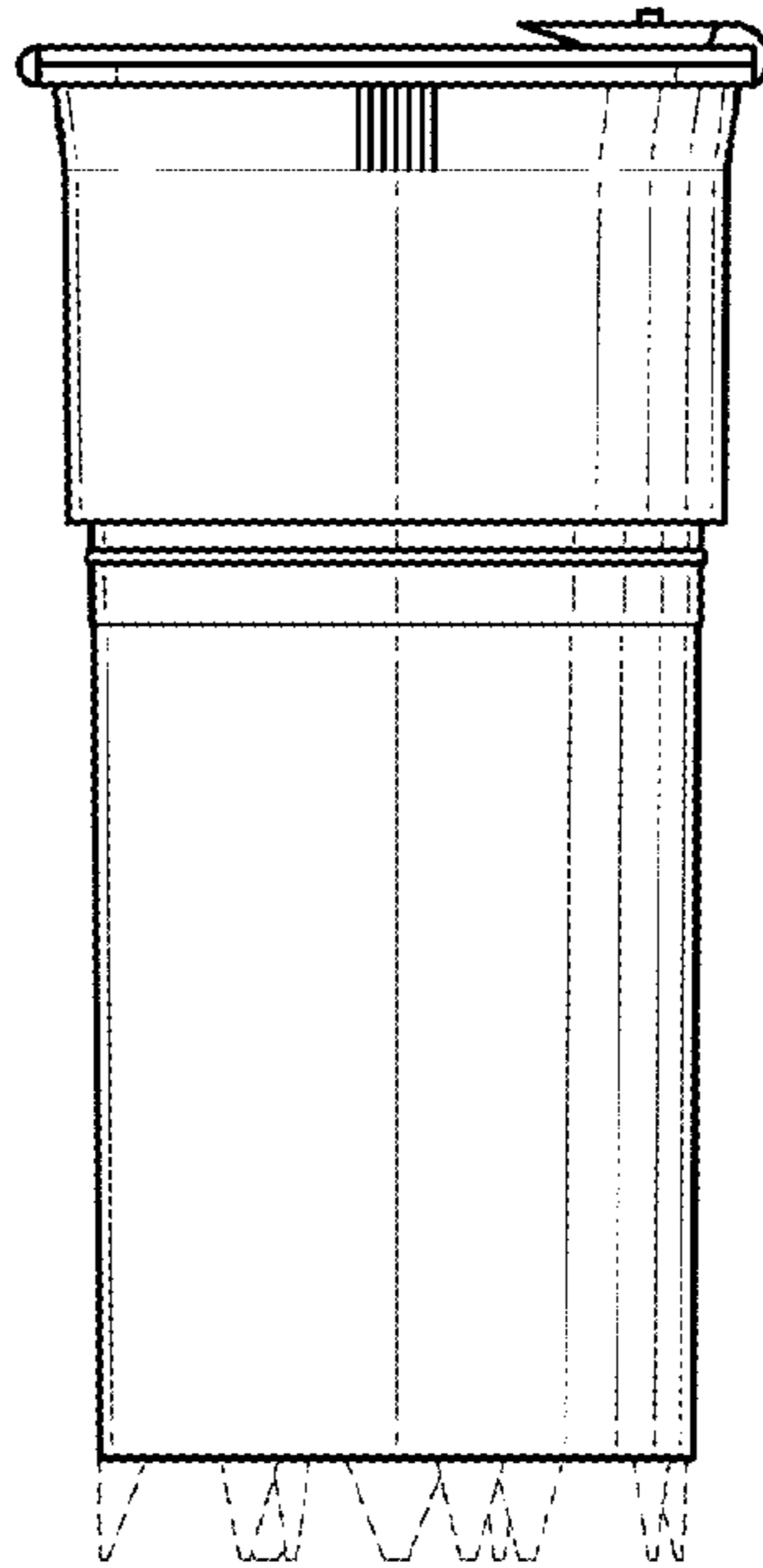


*FIG. 7*

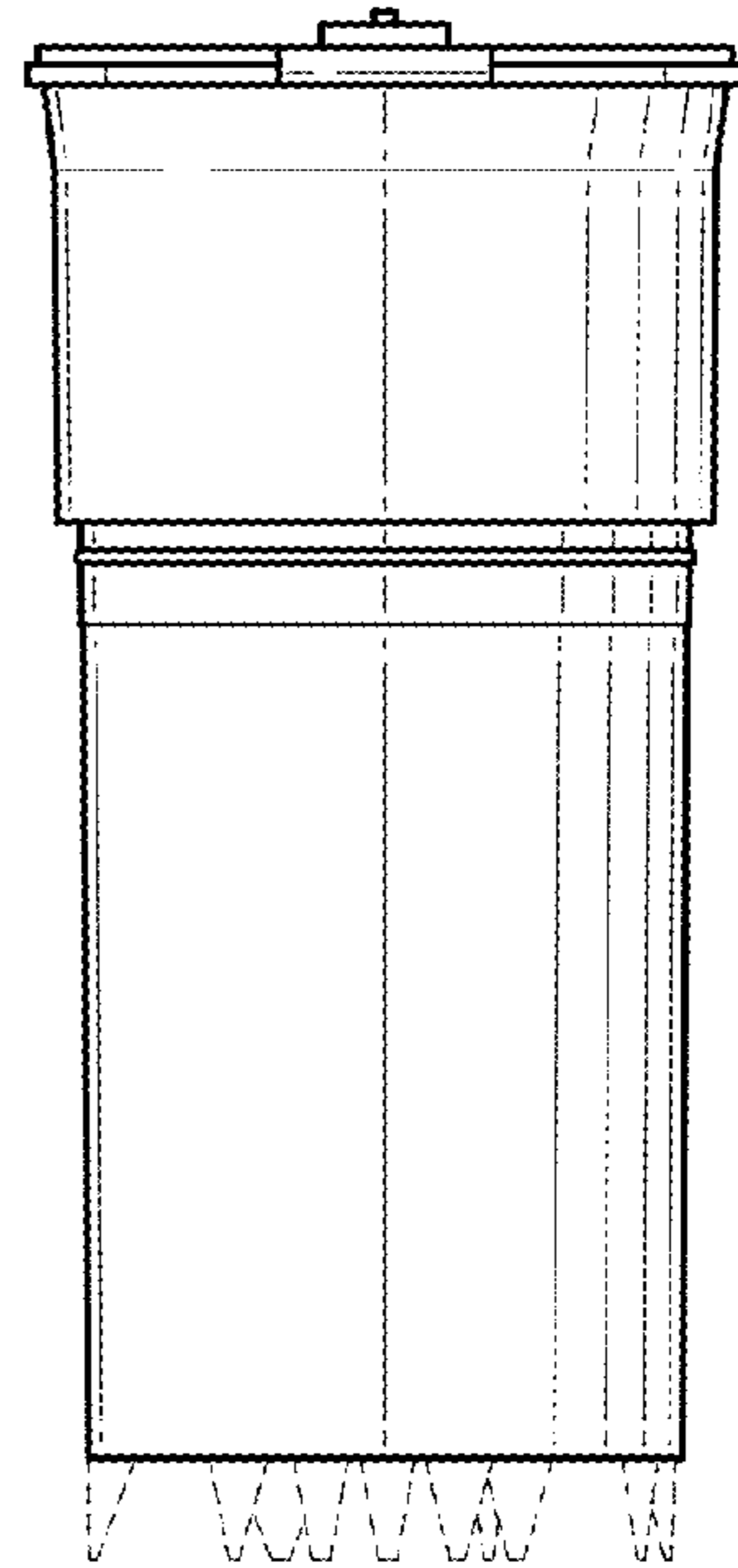




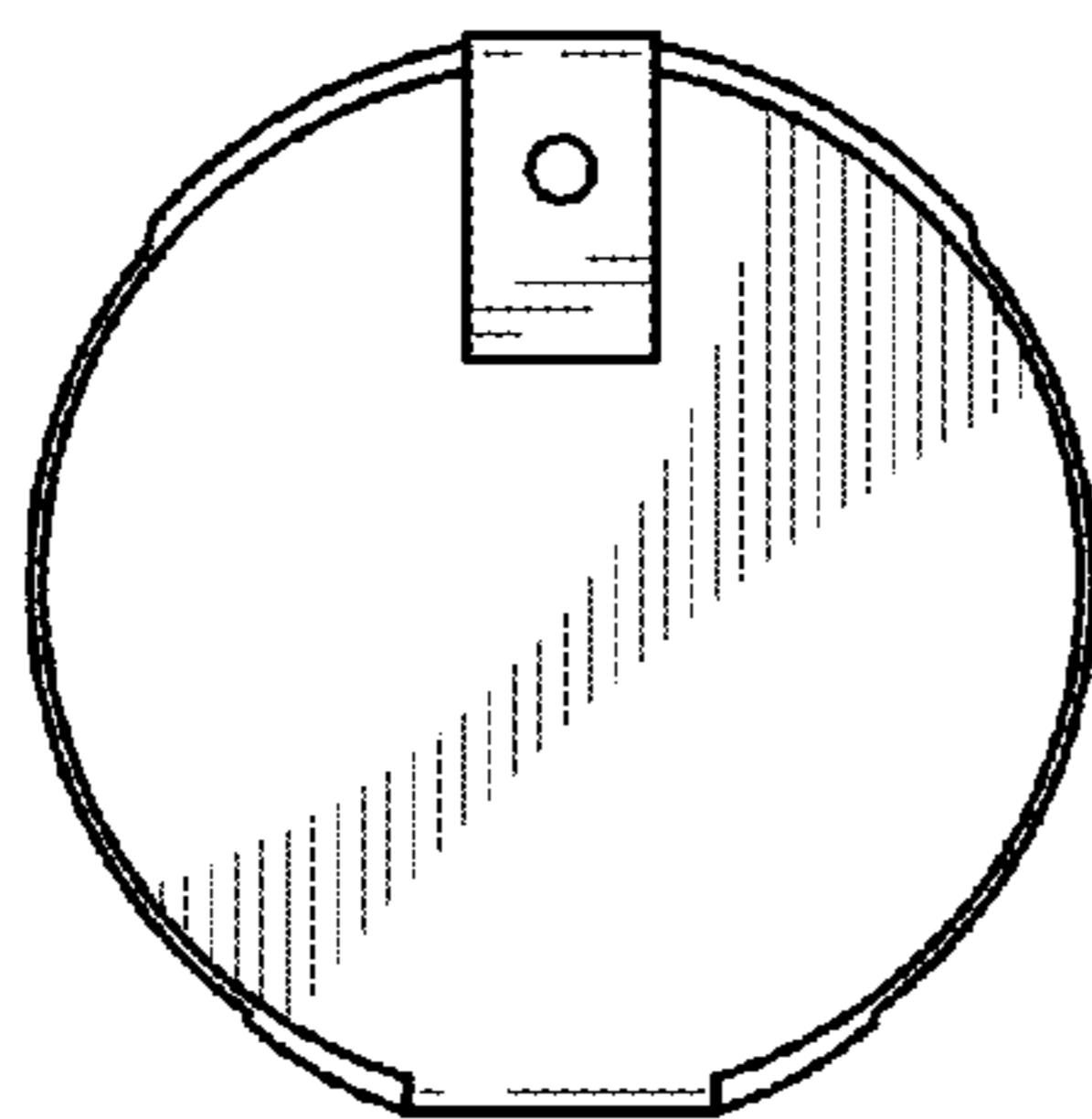
**FIG. 8**



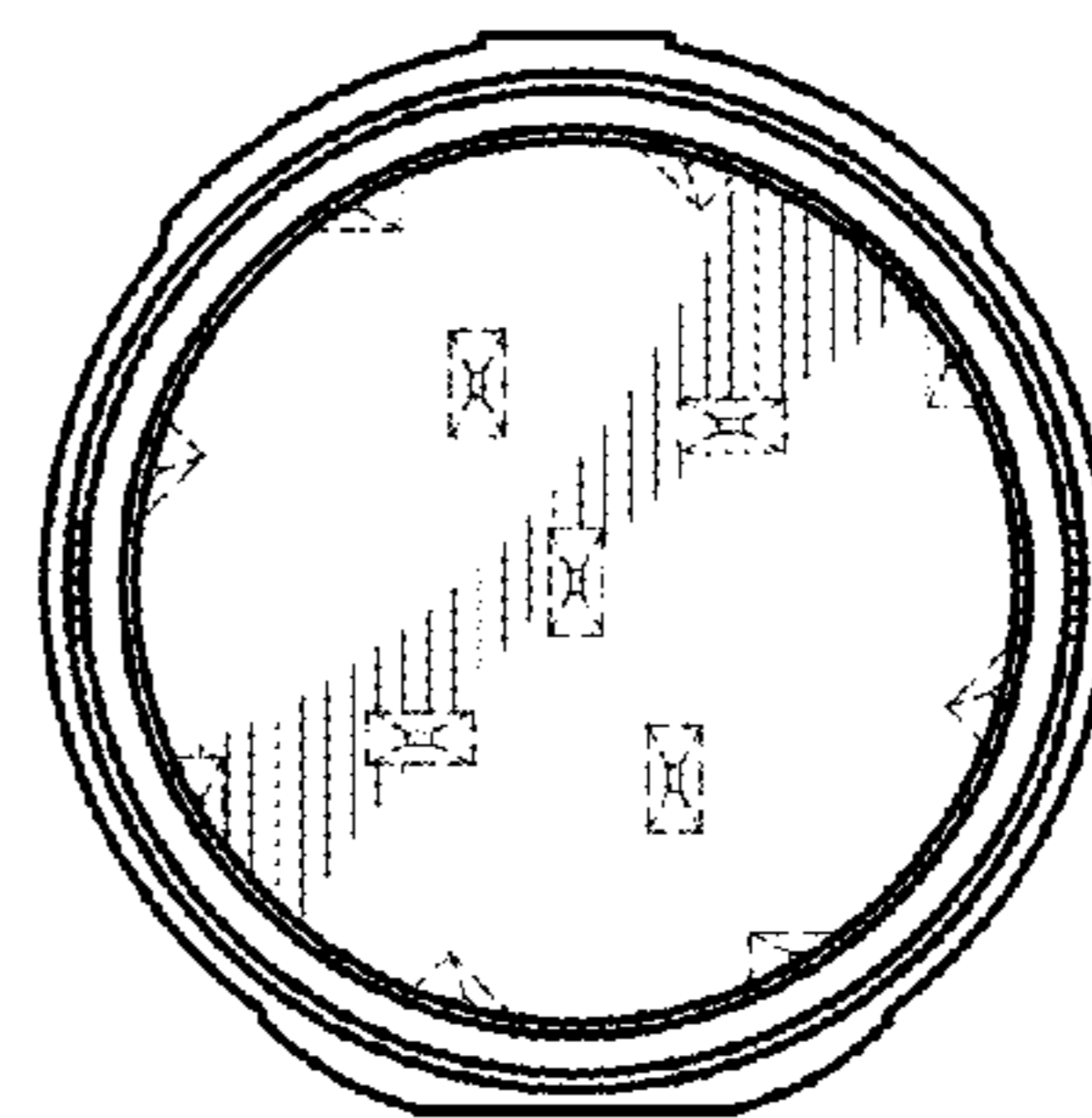
**FIG. 9**



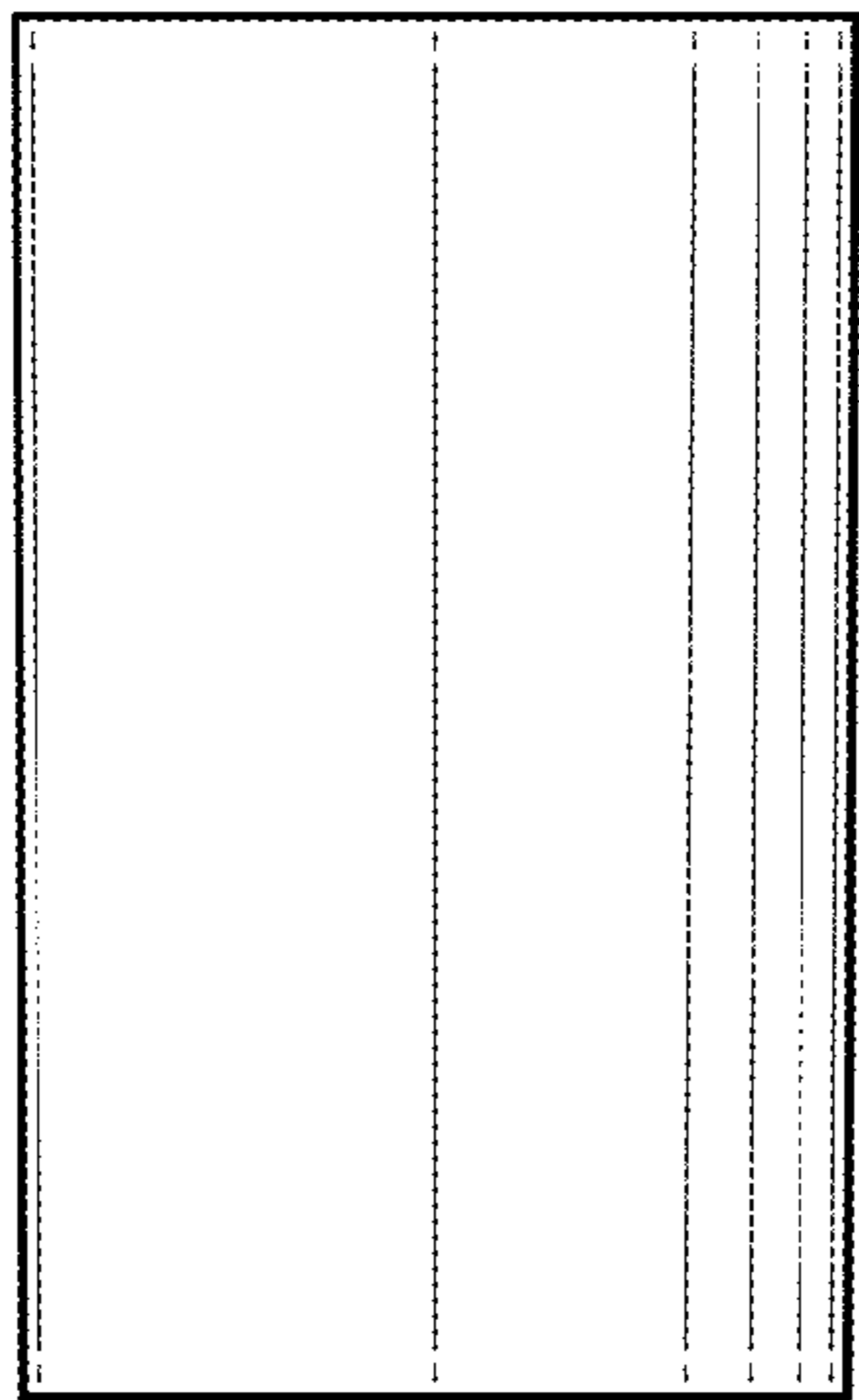
**FIG. 10**



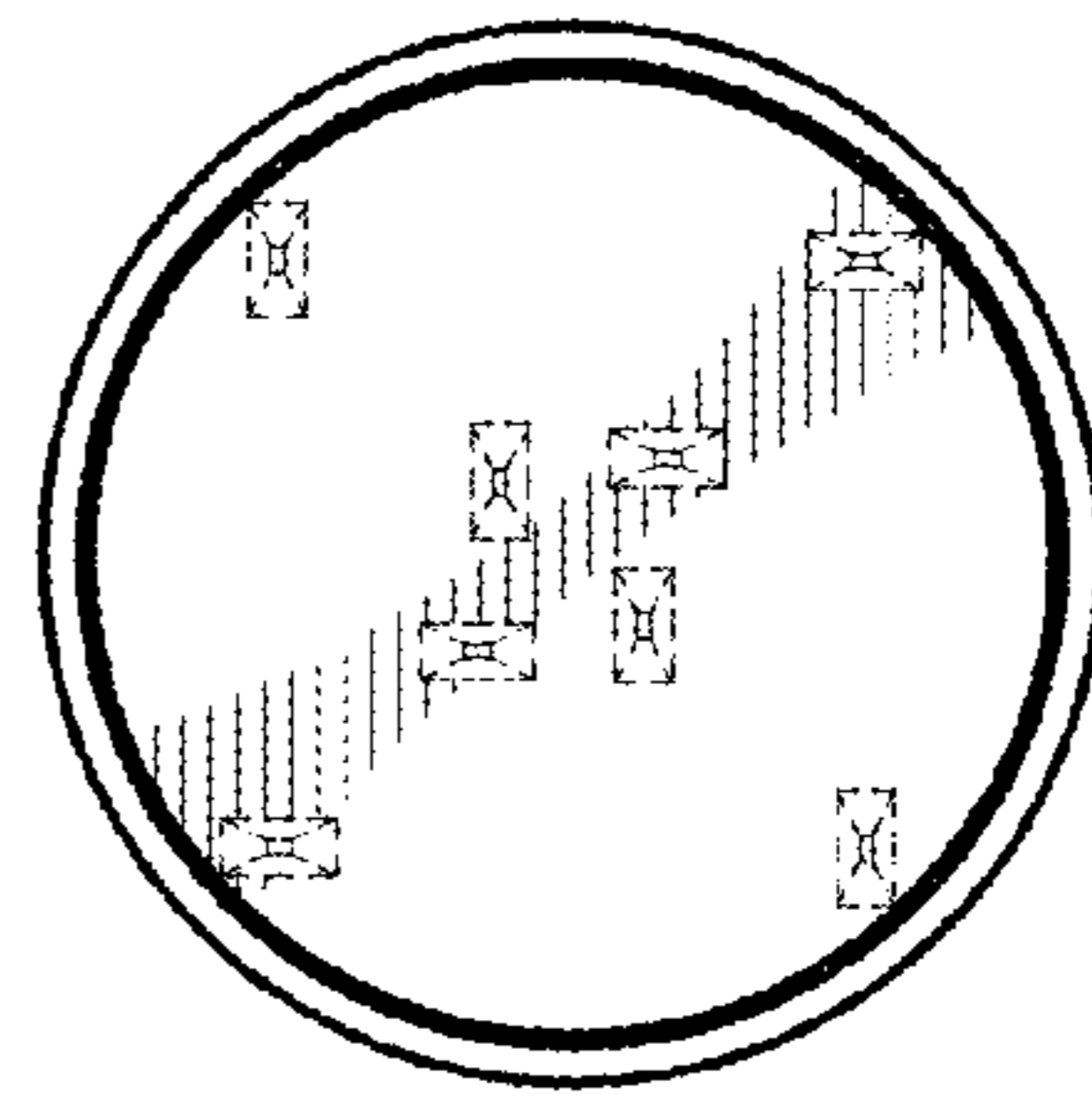
**FIG. 11**



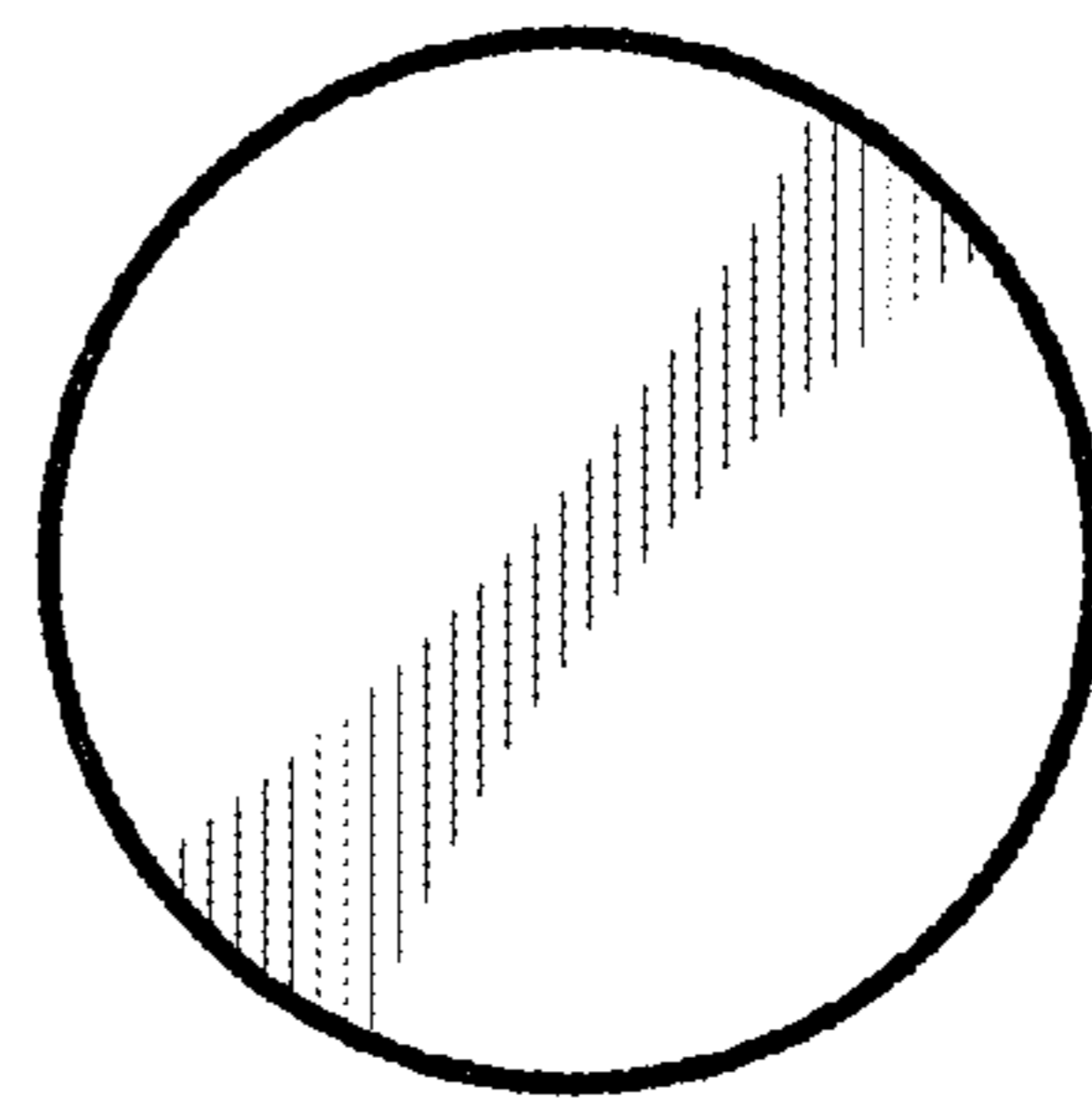
**FIG. 12**



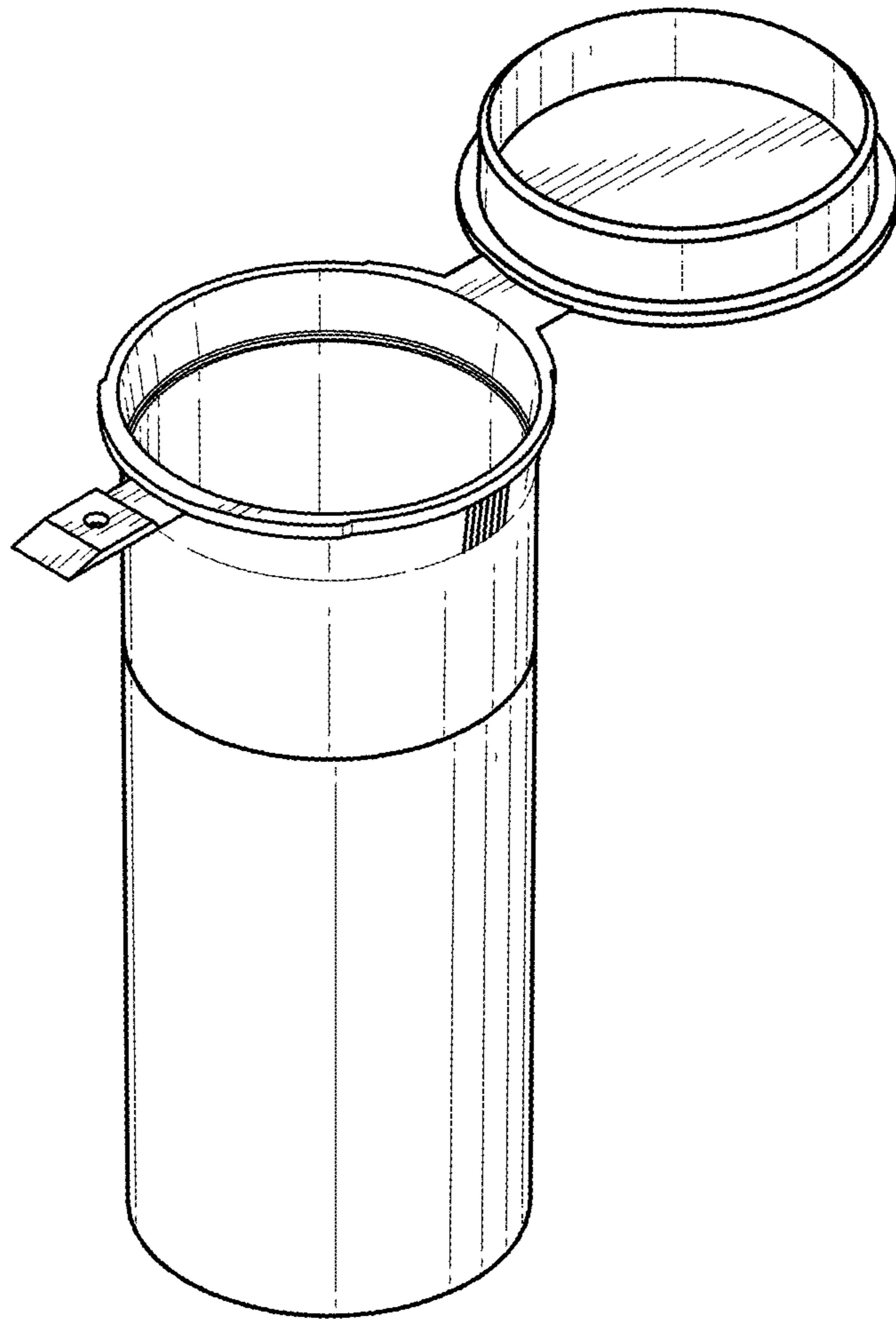
**FIG. 13**



**FIG. 14**



**FIG. 15**



**FIG. 16**