



US00D731863S

(12) **United States Design Patent**
Lee et al.

(10) **Patent No.:** **US D731,863 S**
(45) **Date of Patent:** **** Jun. 16, 2015**

(54) **DOUBLE COLANDER**

(71) Applicant: **Robinson Home Products Inc.**,
Williamsville, NY (US)
(72) Inventors: **Stuart Harvey Lee**, Forest Hills, NY
(US); **Inbal Zahava Aderka**, Brooklyn,
NY (US)
(73) Assignee: **Robinson Home Products Inc.**,
Williamsville, NY (US)

(**) Term: **14 Years**

(21) Appl. No.: **29/481,044**

(22) Filed: **Jan. 31, 2014**

(51) **LOC (10) Cl.** **07-04**

(52) **U.S. Cl.**

USPC **D7/667**

(58) **Field of Classification Search**

USPC D7/667, 668, 368, 669, 538–542, 584,
D7/586, 587, 400; 100/110, 113, 116, 117,
100/127, 213, 248; 210/314, 249, 480, 481,
210/464, 470–478, 497.01, 497.1, 498, 499,
210/495–497, 456, 493.3, 493.5;
99/505–510, 497, 403, 345, 324, 325,
99/339, 425, 426, 415

CPC A47J 19/00; A47J 43/24; A47J 47/20
See application file for complete search history.

(56) **References Cited**

U.S. PATENT DOCUMENTS

1,389,908 A * 9/1921 Shults et al. 220/491
D244,827 S * 6/1977 Nevai D32/55
D346,725 S * 5/1994 Kolada D7/667
5,992,676 A * 11/1999 Tsai 220/485
6,129,344 A * 10/2000 Yang 269/15
D503,313 S * 3/2005 Shamoon D7/667
D514,764 S * 2/2006 Kumagai D32/55
D526,541 S * 8/2006 Repp et al.
D558,535 S * 1/2008 Curtin D7/667

D581,747 S 12/2008 Repp et al.
D584,112 S * 1/2009 Ehrenhaus et al. D7/667
D588,536 S 3/2009 Wahl et al.
D588,537 S 3/2009 Allen
7,654,402 B2 2/2010 Kusuma et al.
7,678,271 B2 3/2010 Curtin
D652,695 S 1/2012 Lee et al.
D656,800 S 4/2012 Lee et al.
D660,661 S 5/2012 Lee et al.
D661,955 S 6/2012 Lee et al.
D671,802 S * 12/2012 Lee et al. D7/667
D688,019 S 8/2013 Lee et al.

* cited by examiner

Primary Examiner — Terry Wallace

(74) *Attorney, Agent, or Firm* — Florek & Endres PLLC

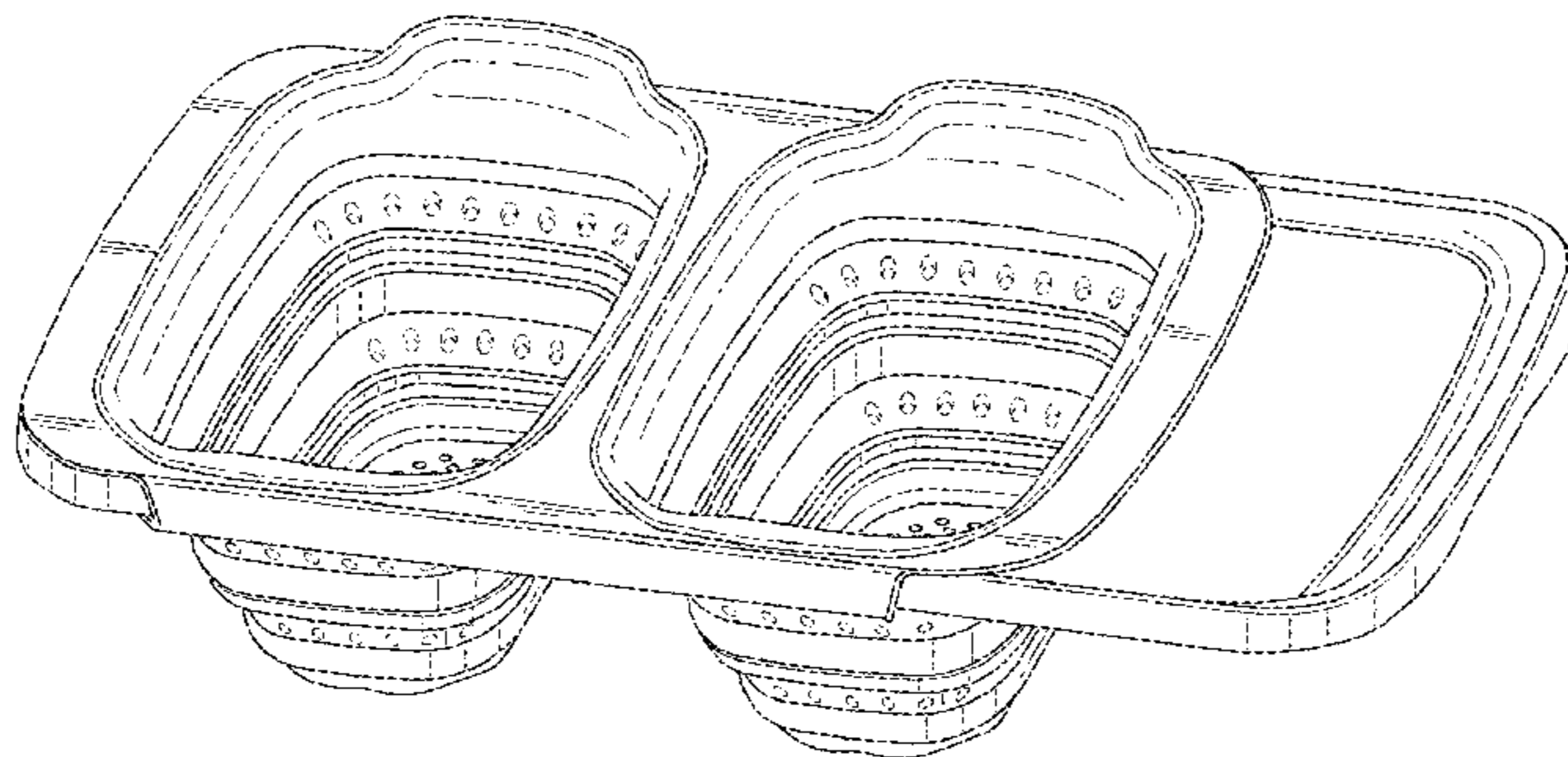
(57) **CLAIM**

We claim the ornamental design for a double colander, as shown and described.

DESCRIPTION

FIG. 1 is a perspective view of the double colander of the present invention.
FIG. 2 is a top plan view of the double colander of the present invention.
FIG. 3 is a bottom plan view of the double colander of the present invention.
FIG. 4 is a front elevation of the double colander of the present invention.
FIG. 5 is a rear elevation of the double colander of the present invention.
FIG. 6 is a right side elevation of the double colander of the present invention.
FIG. 7 is a left side elevation of the double colander of the present invention; and,
FIG. 8 is an exploded perspective view of the double colander of the present invention.
The broken lines in the drawings represent unclaimed features.

1 Claim, 8 Drawing Sheets



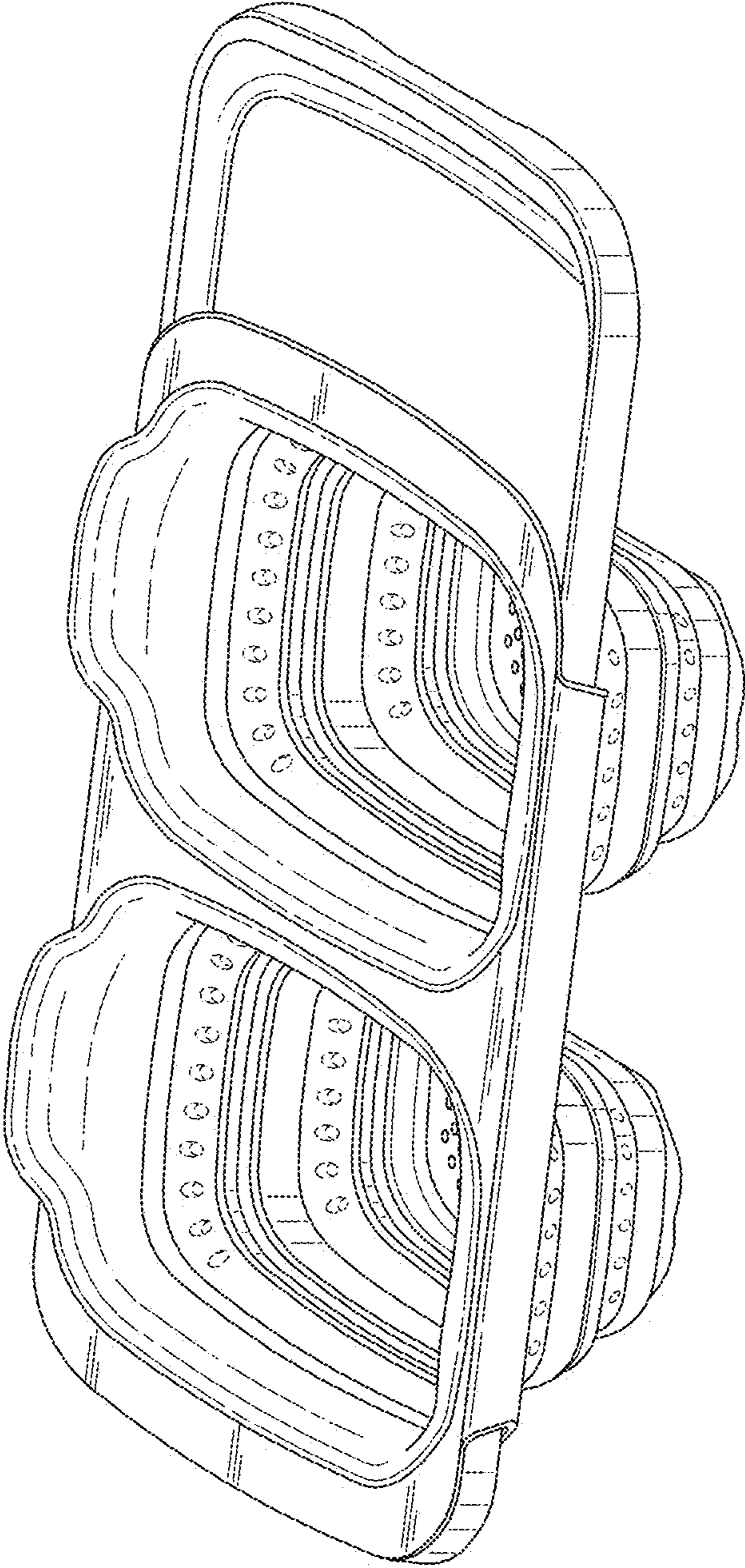


FIG. 1

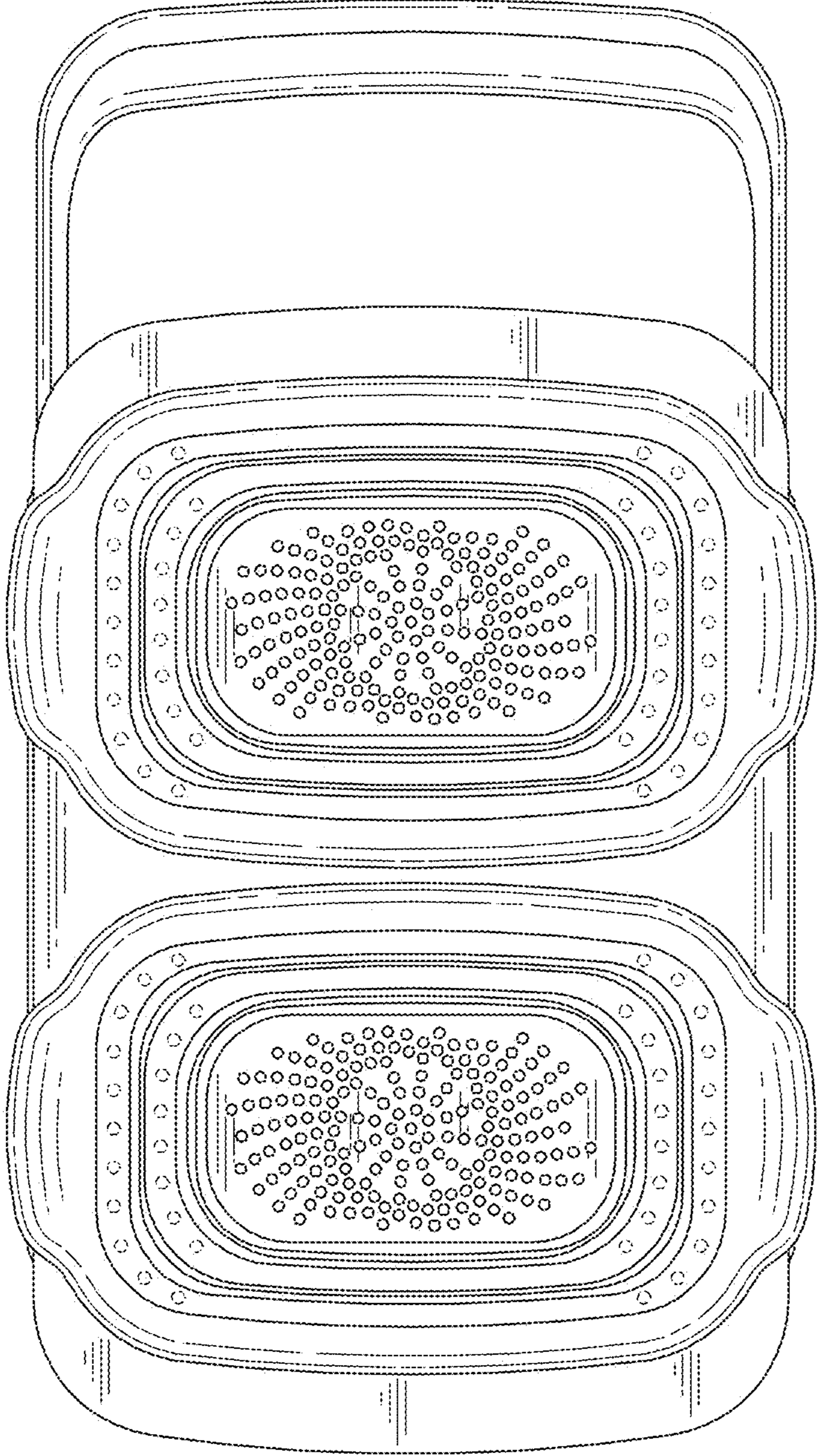


FIG. 2

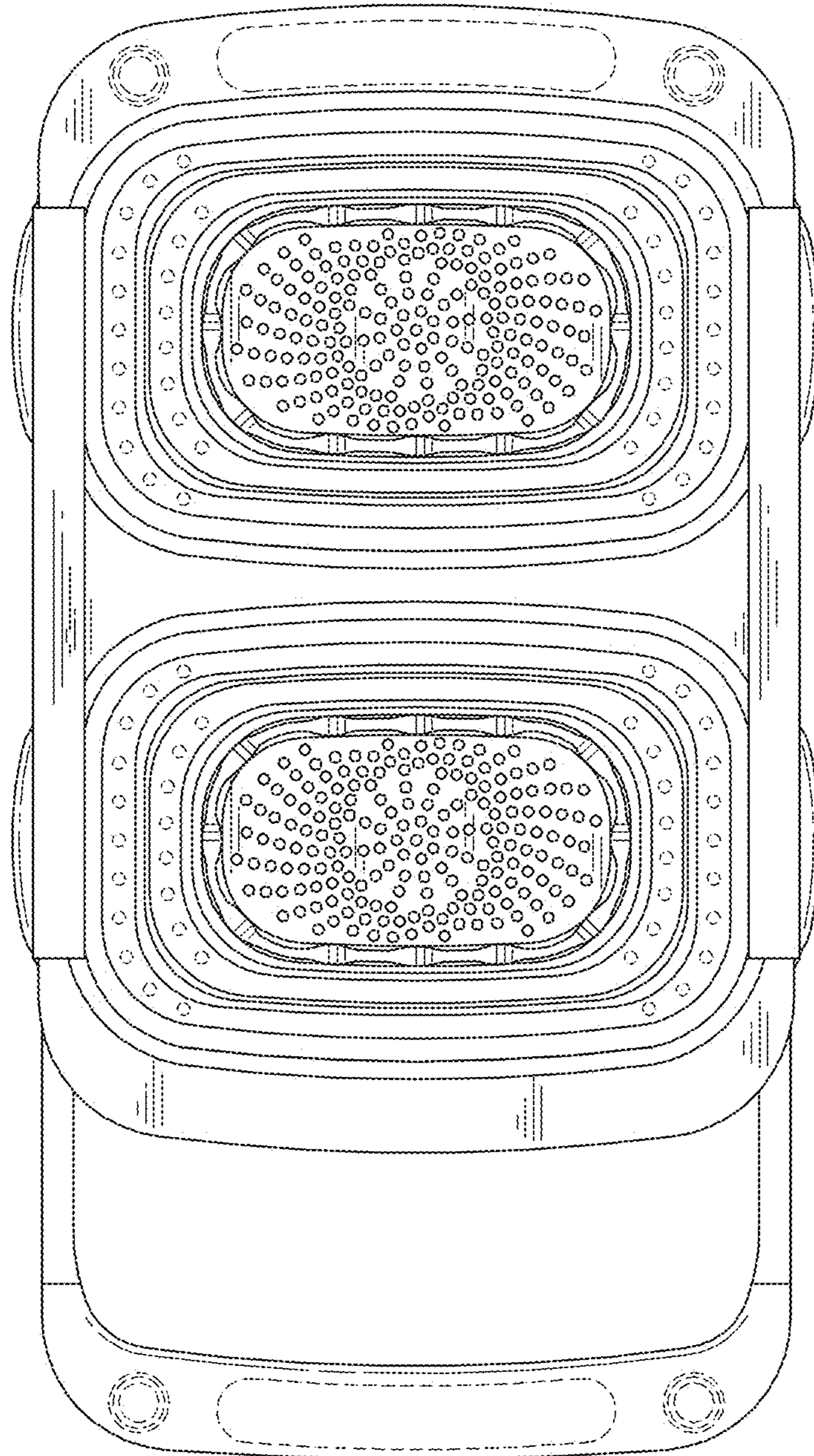


FIG. 3

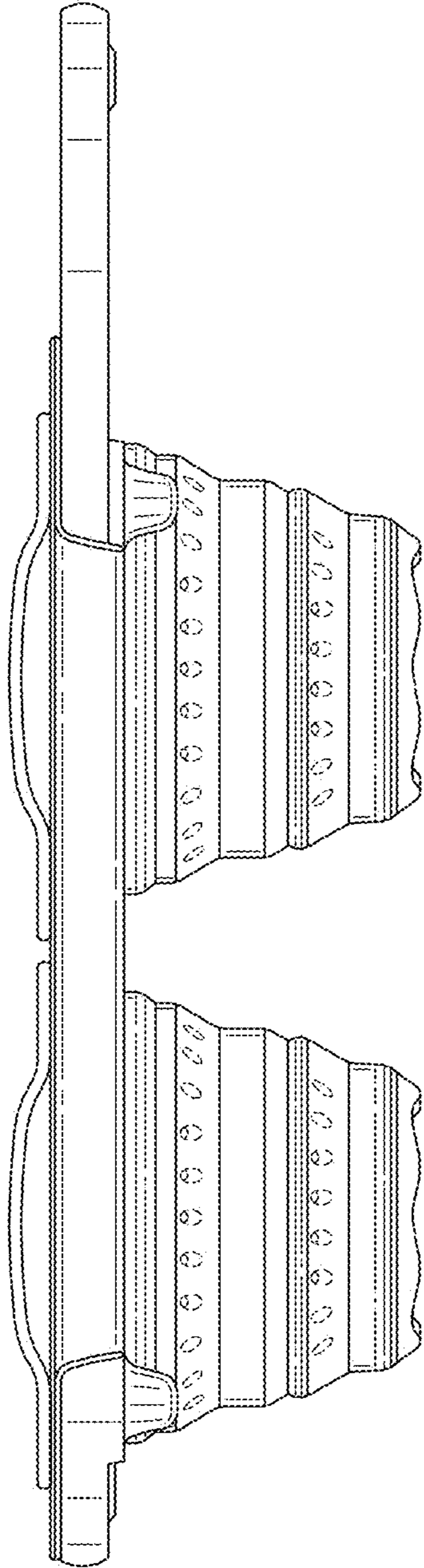


FIG. 4

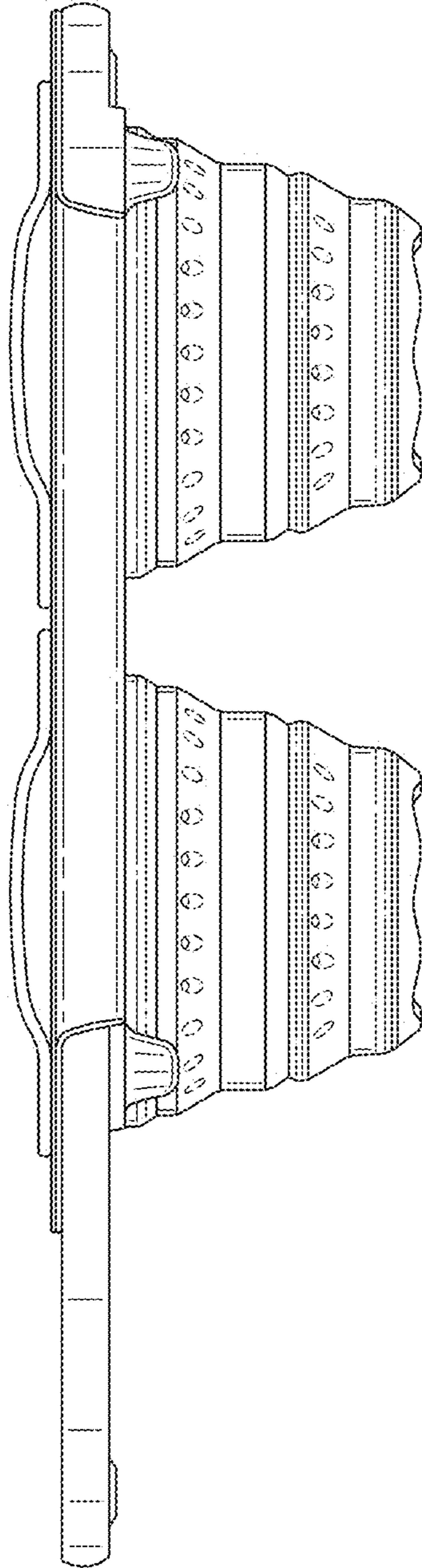


FIG. 5

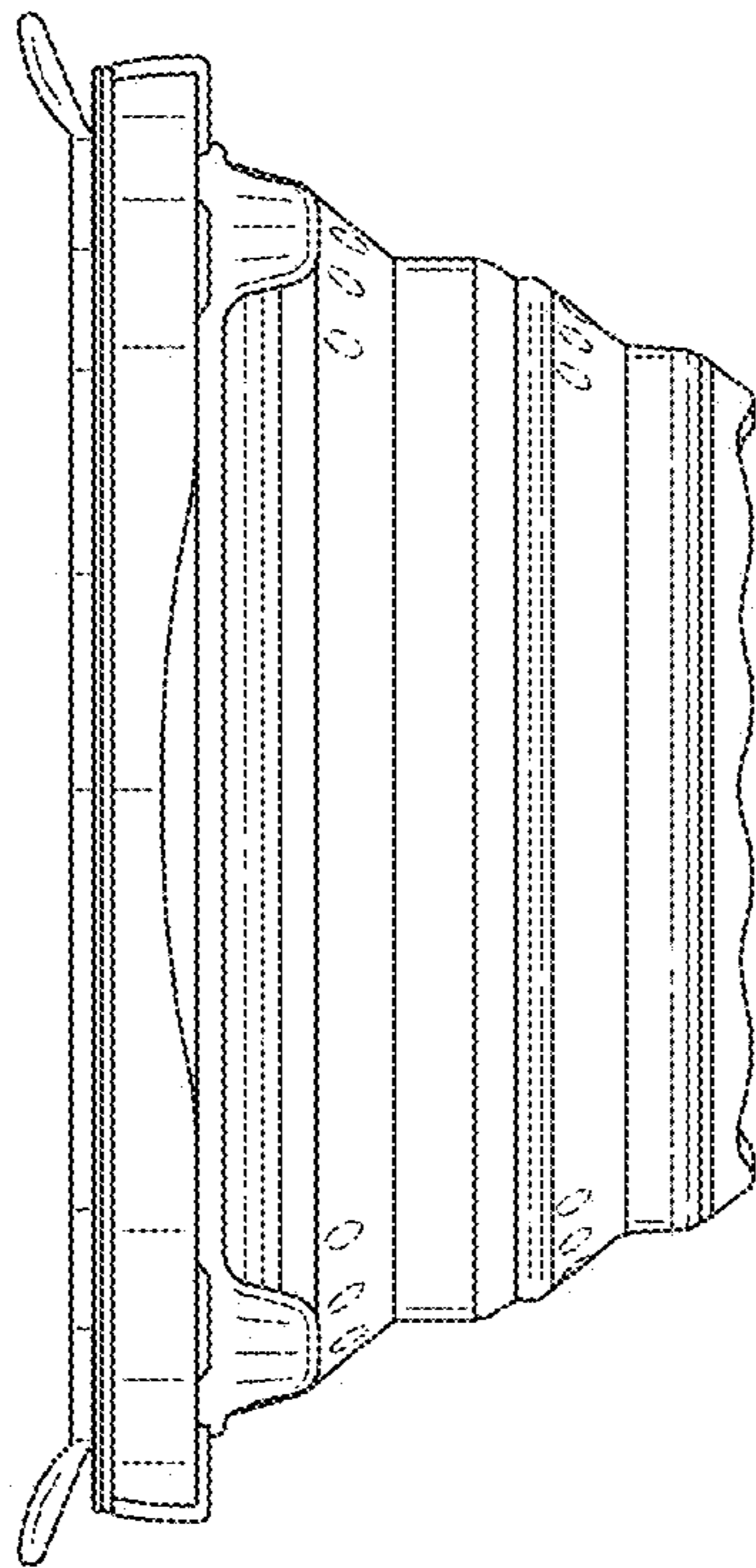


FIG. 6

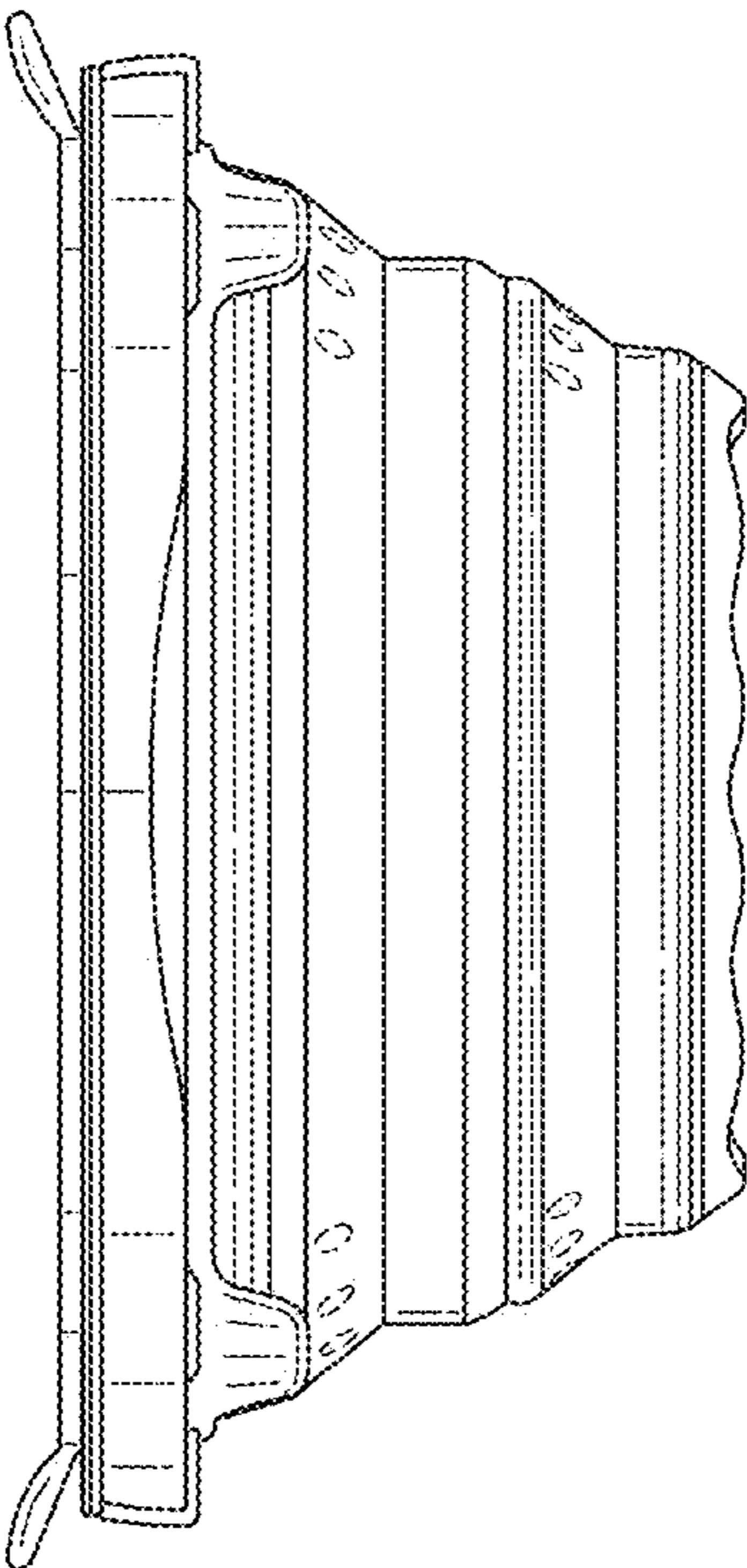


FIG. 7

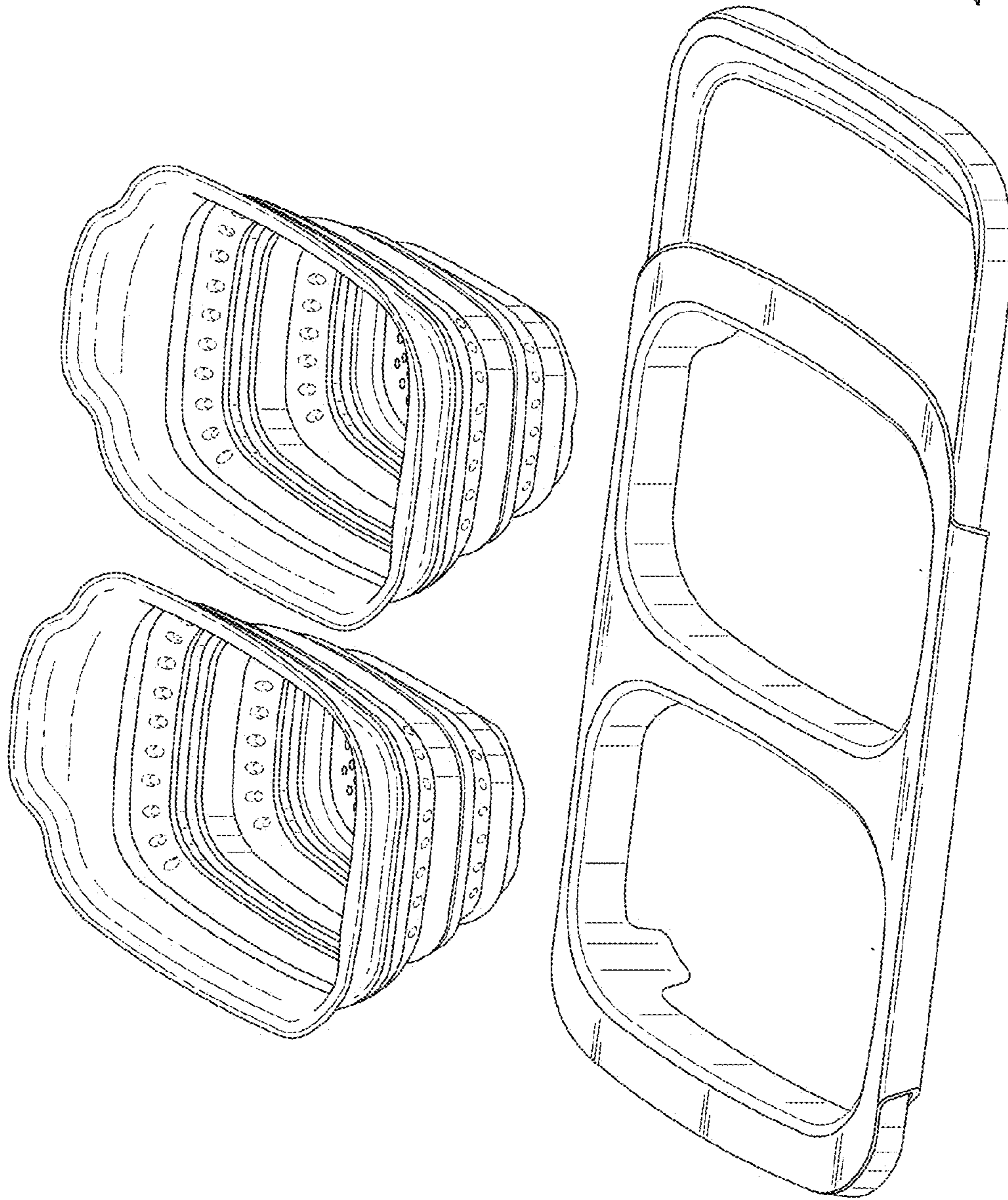


FIG. 8