



US00D731861S

(12) **United States Design Patent**
Partiyeli

(10) **Patent No.:** **US D731,861 S**
(45) **Date of Patent:** **** Jun. 16, 2015**

(54) **GREEK YOGURT MAKER OR STRAINER**

(71) Applicant: **Farshid Partiyeli**, Los Angeles, CA
(US)

(72) Inventor: **Farshid Partiyeli**, Los Angeles, CA
(US)

(**) Term: **14 Years**

(21) Appl. No.: **29/475,091**

(22) Filed: **Nov. 27, 2013**

(51) **LOC (10) Cl.** **07-04**

(52) **U.S. Cl.**
USPC **D7/667**

(58) **Field of Classification Search**
USPC D7/370, 667; 210/464, 473, 499, 498;
220/607, 676, 490, 508
CPC B01D 23/00
See application file for complete search history.

(56) **References Cited**

U.S. PATENT DOCUMENTS

D170,676	S	*	10/1953	Bourne-Vanneck	D7/667
D262,857	S	*	2/1982	Ansel	D7/370
D279,379	S	*	6/1985	Uram	D15/138
4,680,117	A	*	7/1987	Freeman	210/469
D353,303	S	*	12/1994	Davis	D7/542
5,373,779	A	*	12/1994	Grusin	99/458
6,546,849	B1	*	4/2003	Shimazaki	99/413

D514,398	S	*	2/2006	Feil	D7/667
7,044,292	B2	*	5/2006	Nall	206/216
7,467,718	B1	*	12/2008	Donohue	210/464
D653,074	S	*	1/2012	Difante	D7/357
D658,425	S	*	5/2012	Difante	D7/357
2014/0102961	A1	*	4/2014	Verveniotis	210/91

* cited by examiner

Primary Examiner — Michael A Pratt
(74) *Attorney, Agent, or Firm* — Jafari Law Group, Inc.;
David V. Jafari; Saul Acherman

(57) **CLAIM**
The ornamental design for a Greek yogurt maker or strainer,
as shown and described.

DESCRIPTION

FIG. 1 illustrates a perspective view of the ornamental Greek yogurt maker or strainer showing the new design;
FIG. 2 illustrates a side view thereof.
FIG. 3 illustrates a side view thereof, with the seal and strainer exploded.
FIG. 4 illustrates a top view thereof, with the seal and strainer exploded.
FIG. 5 illustrates a bottom view thereof, with the seal and strainer exploded; and,
FIG. 6 illustrates a cross sectional view thereof, taken on line 1-1 of FIG. 1.
The broken lines showing of aspects of the claimed design in FIGS. 4 and 6 is included for the purpose of illustrating environment and forms no part of the claimed design.

1 Claim, 6 Drawing Sheets

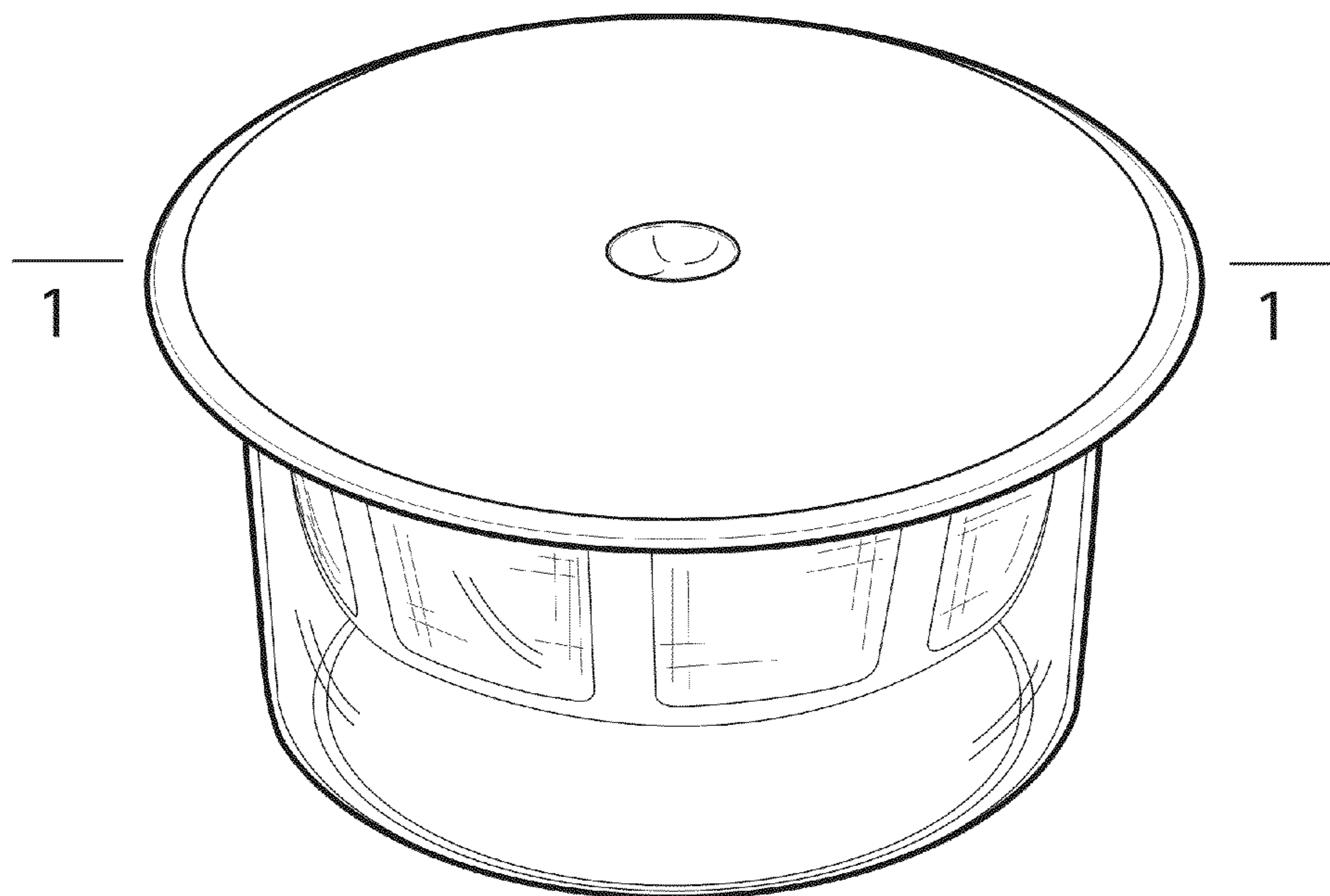


FIG. 1

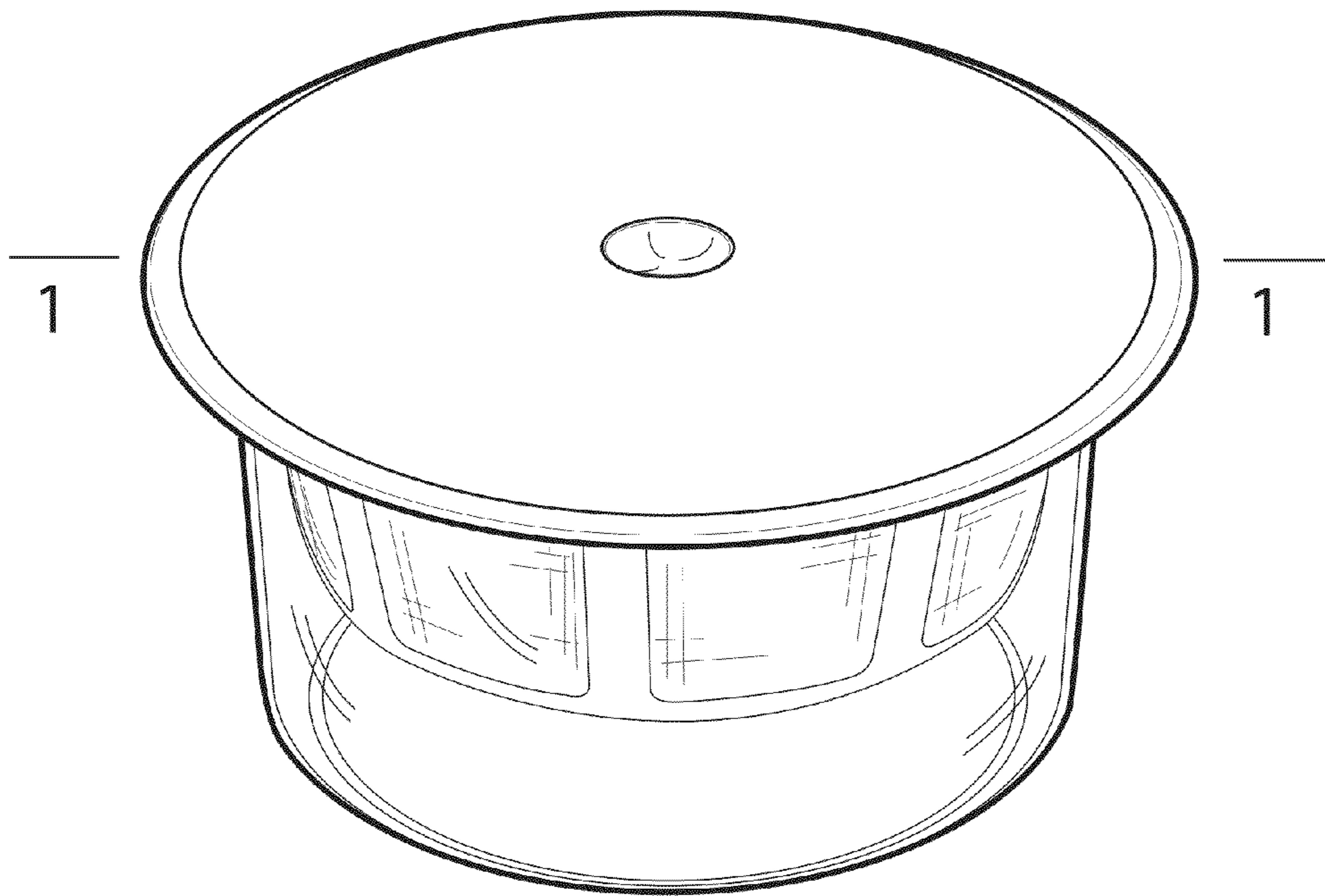
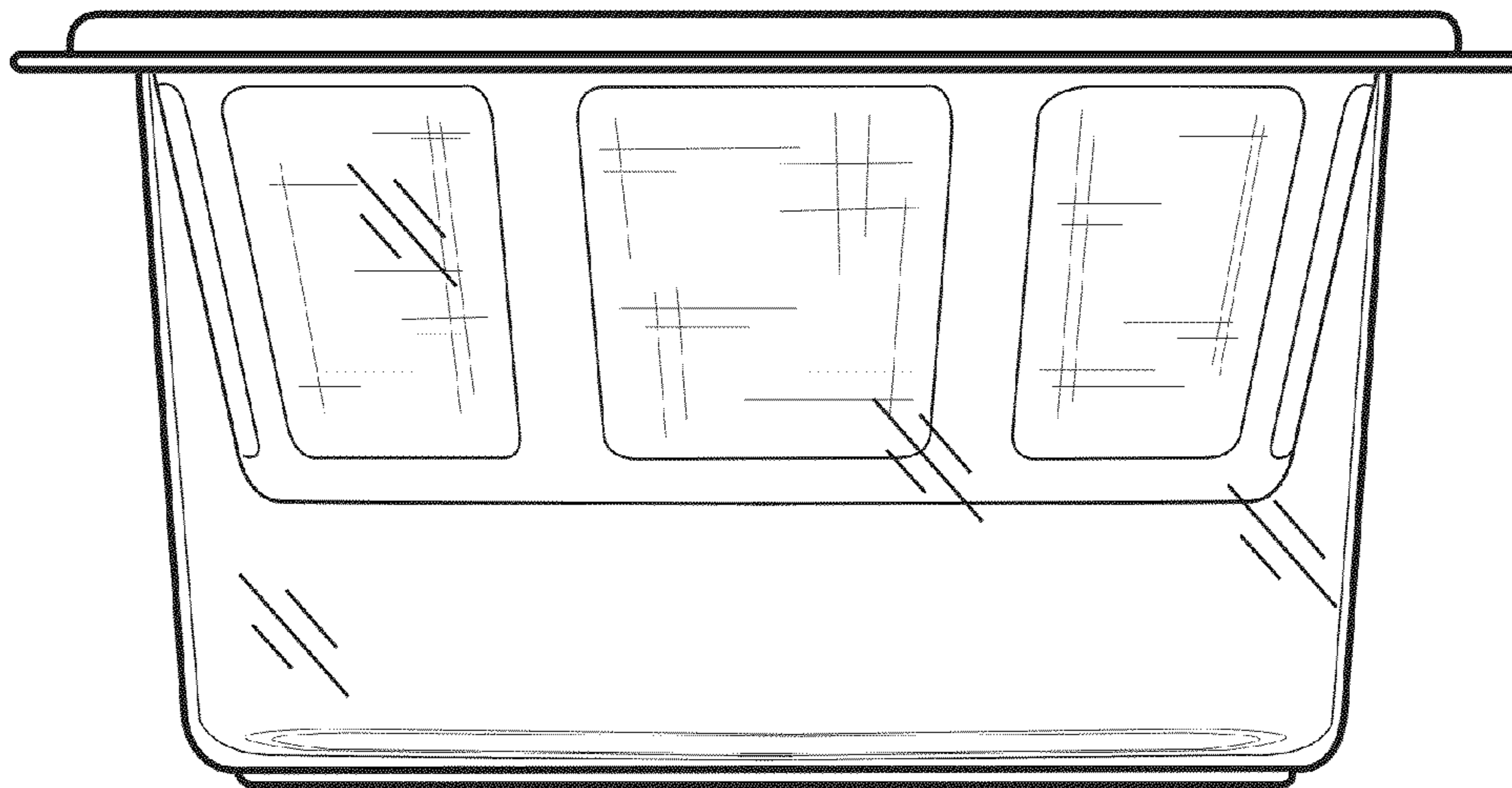
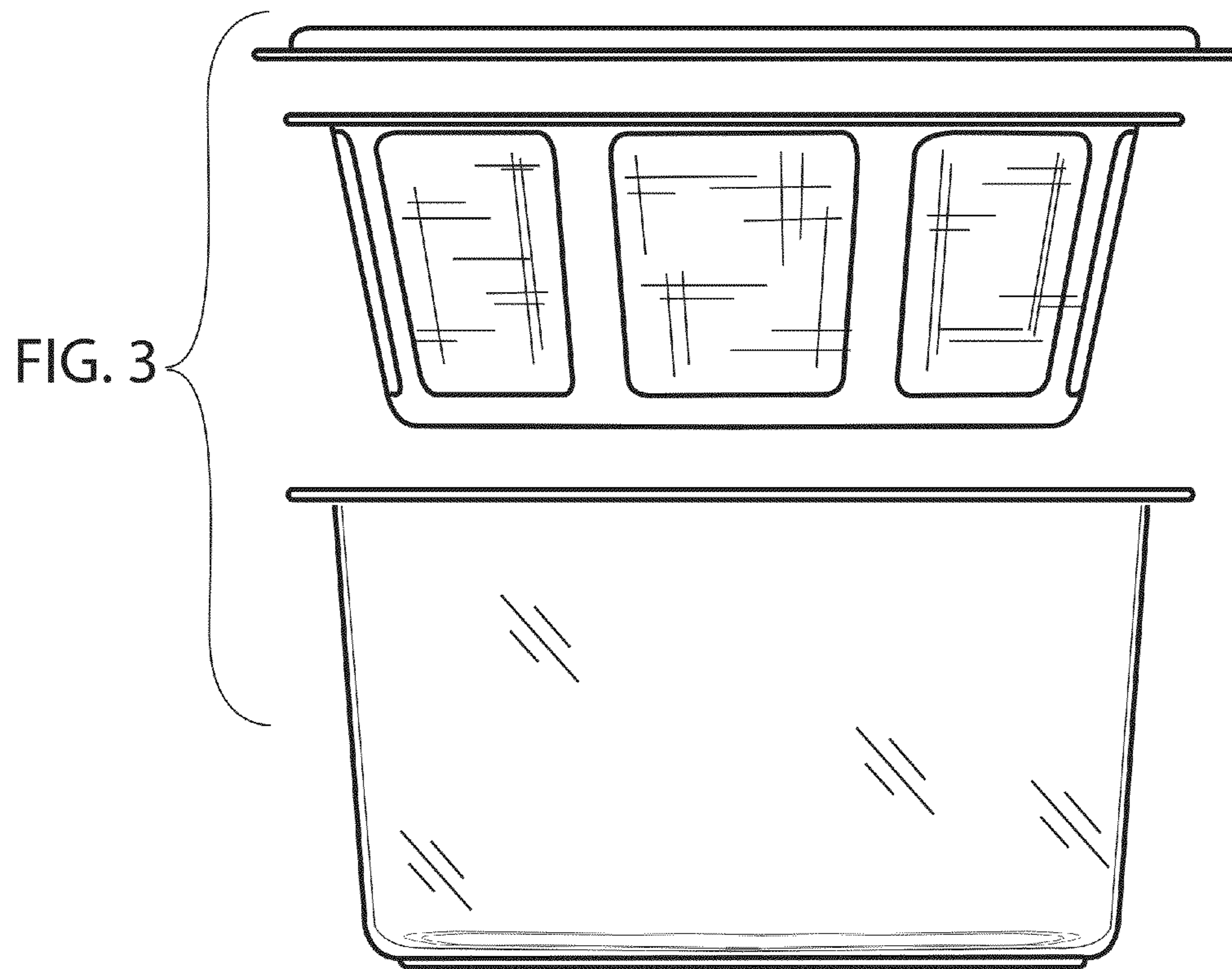


FIG. 2





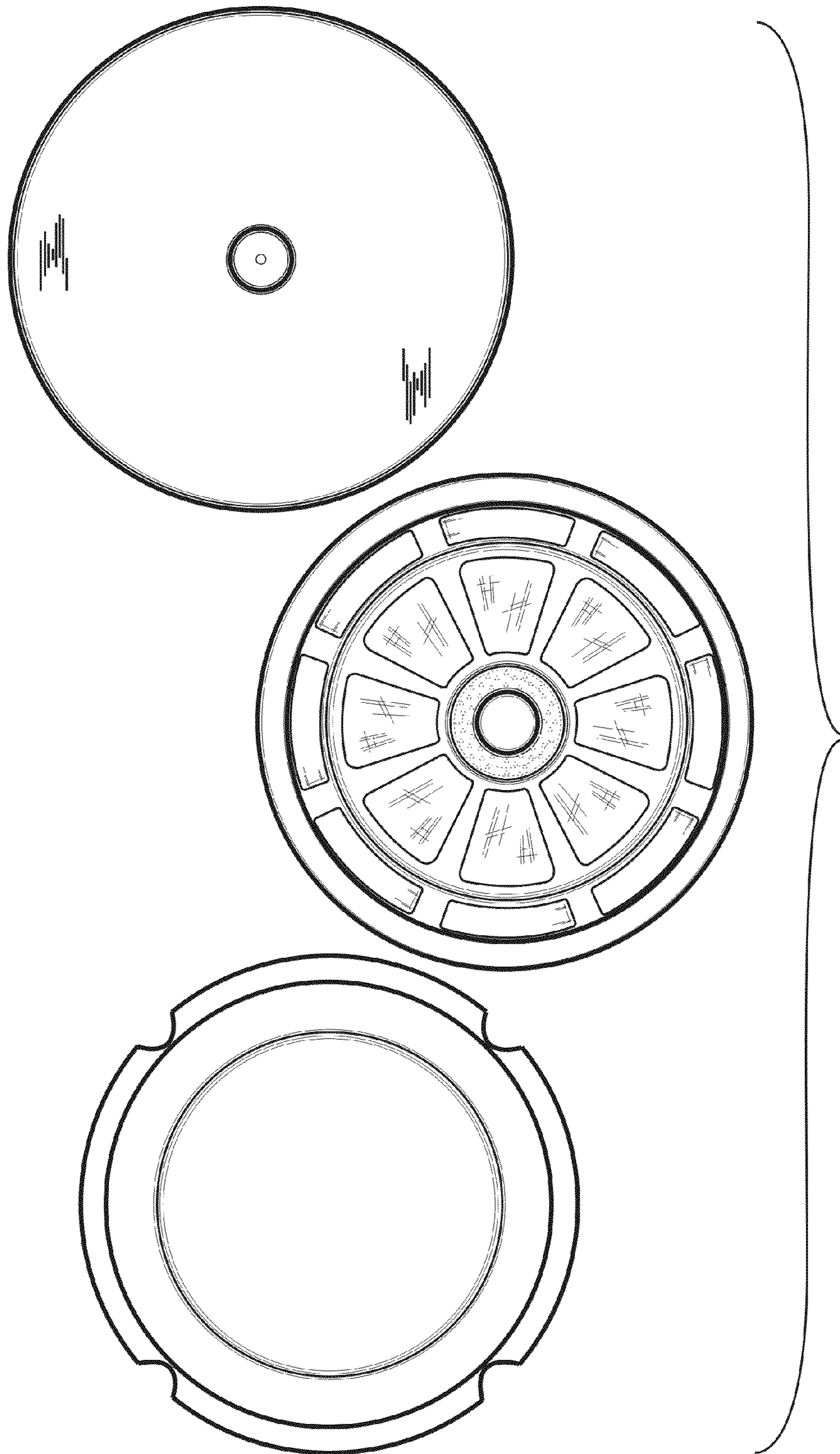


FIG. 4

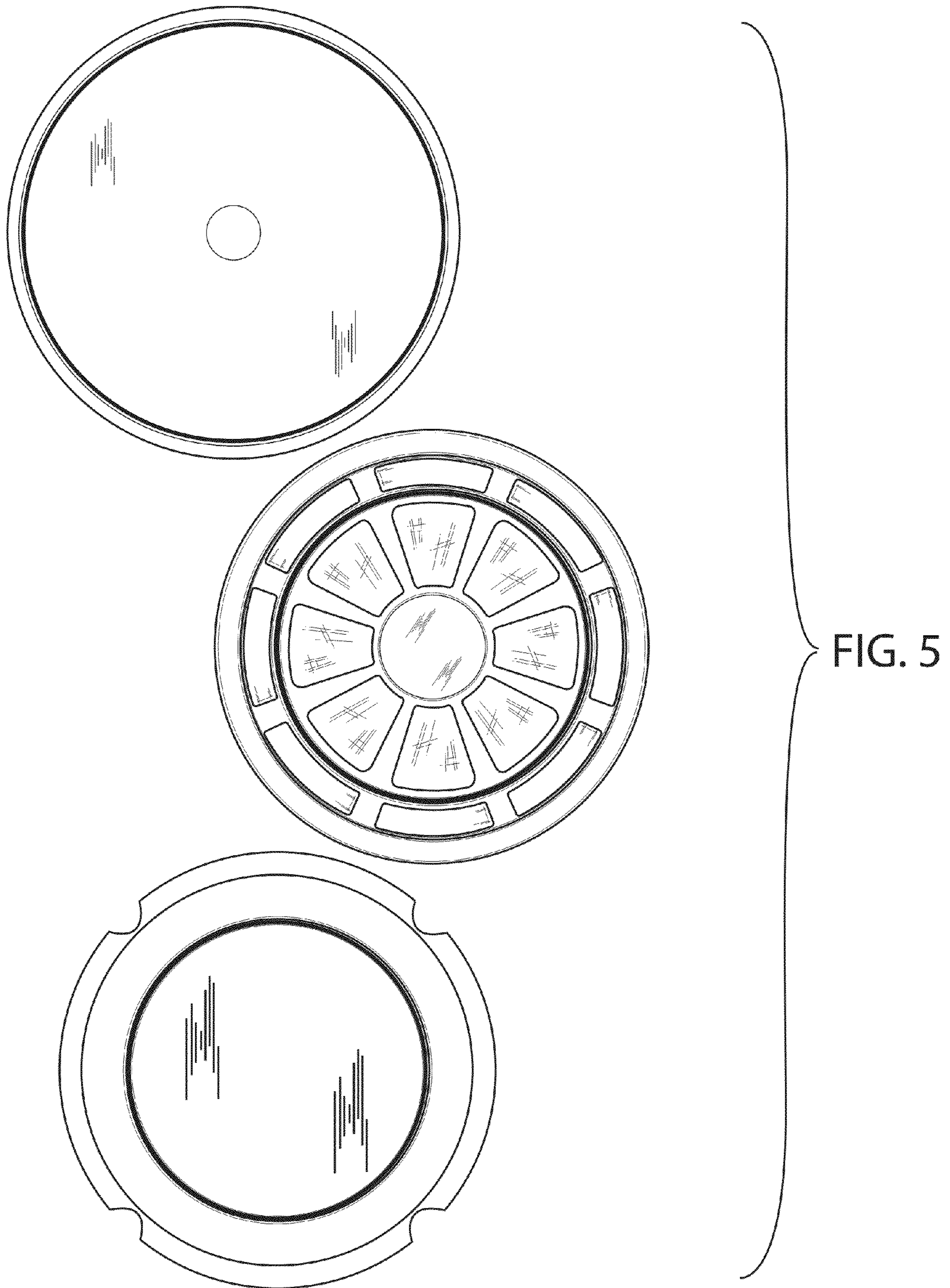


FIG. 6

