



US00D731859S

(12) **United States Design Patent**
Tehensky

(10) **Patent No.:** **US D731,859 S**
(45) **Date of Patent:** **** Jun. 16, 2015**

- (54) **RESERVOIR COASTER**
- (71) Applicant: **Michael Tehensky**, Toledo, OH (US)
- (72) Inventor: **Michael Tehensky**, Toledo, OH (US)
- (**) Term: **14 Years**
- (21) Appl. No.: **29/492,240**
- (22) Filed: **May 29, 2014**

3,808,084 A	4/1974	Doty	
D245,662 S *	9/1977	Hall D7/624.1
4,759,524 A	7/1988	Anderson	
4,858,872 A	8/1989	Witt	
D408,227 S	4/1999	Swann, Jr.	
6,102,352 A *	8/2000	Kvalvog 248/346.11
6,109,583 A	8/2000	Nunes	
6,869,055 B2 *	3/2005	Casiello, Jr. 248/346.11
D609,977 S *	2/2010	Gjonaj D7/624.1
2007/0034766 A1	2/2007	Thompson	
2012/0223208 A1	9/2012	Tehensky	

* cited by examiner

Related U.S. Application Data

- (63) Continuation of application No. 13/409,188, filed on Mar. 1, 2012.
- (51) **LOC (10) Cl.** **07-06**
- (52) **U.S. Cl.**
USPC **D7/624.1**
- (58) **Field of Classification Search**
USPC D7/619.1-625, 388; 248/346.11,
248/346.03, 346.01; 215/393-396;
220/737-739, 630, 628
CPC A47G 23/03
See application file for complete search history.

Primary Examiner — Terry Wallace

(74) *Attorney, Agent, or Firm* — Fraser Clemens Martin & Miller LLC; Jacob M. Ward, Esq.

(57) **CLAIM**

The ornamental design for a reservoir coaster, as shown and described.

DESCRIPTION

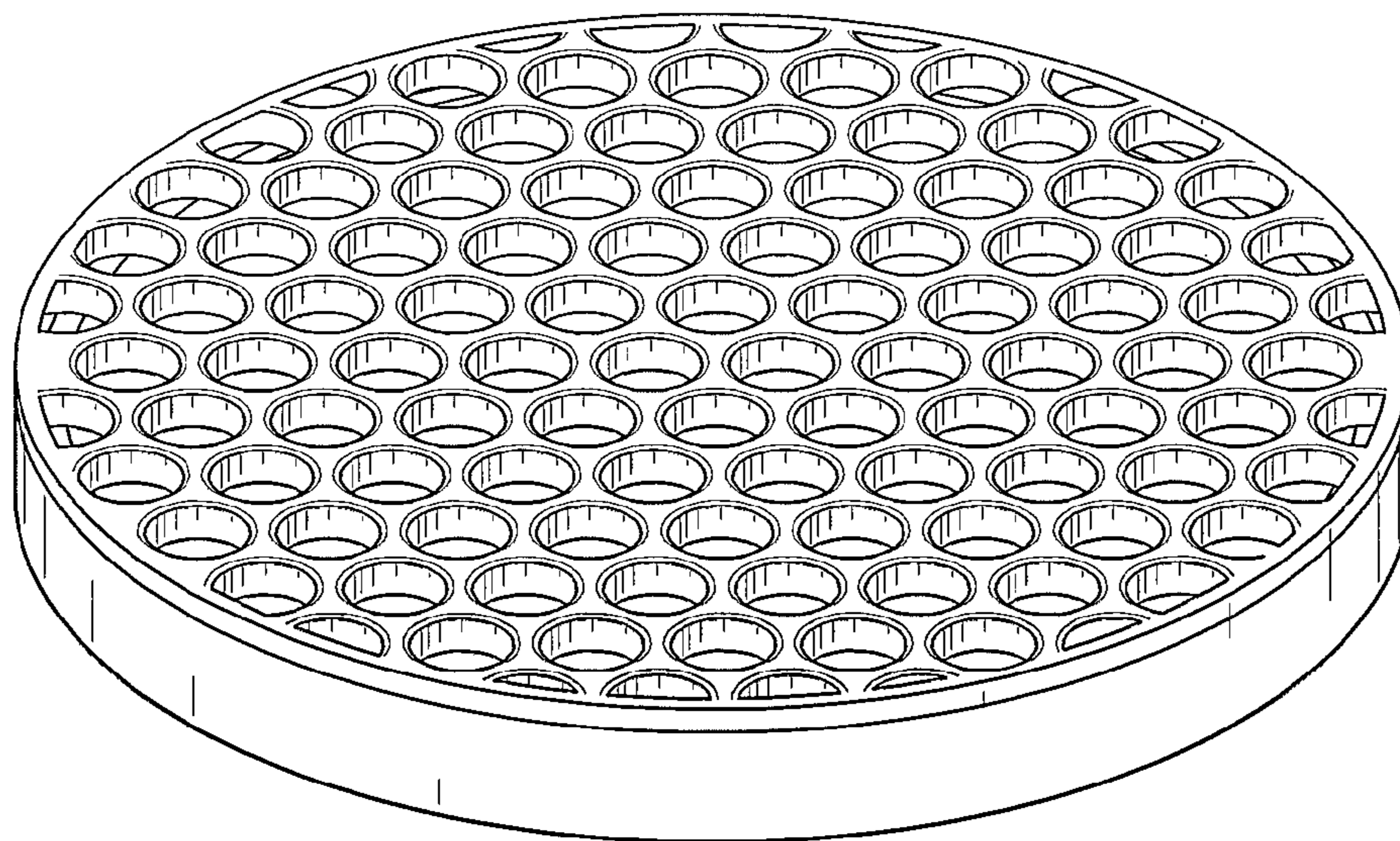
FIG. 1 is a perspective view of a reservoir coaster; FIG. 2 is a top plan view of the reservoir coaster shown in FIG. 1; and, FIG. 3 is a side elevational view thereof. All sides of the reservoir coaster are identical to the side shown in FIG. 3. The bottom of the reservoir coaster is flat and devoid of surface ornamentation. The ornamental design which is claimed is shown in solid lines in the drawings.

(56) **References Cited**

U.S. PATENT DOCUMENTS

1,554,789 A	9/1925	Crary	
2,989,205 A *	6/1961	Yaws 248/346.11
3,363,869 A	1/1968	Blundell	
D229,655 S	12/1973	Gunnar-Cyren	

1 Claim, 2 Drawing Sheets



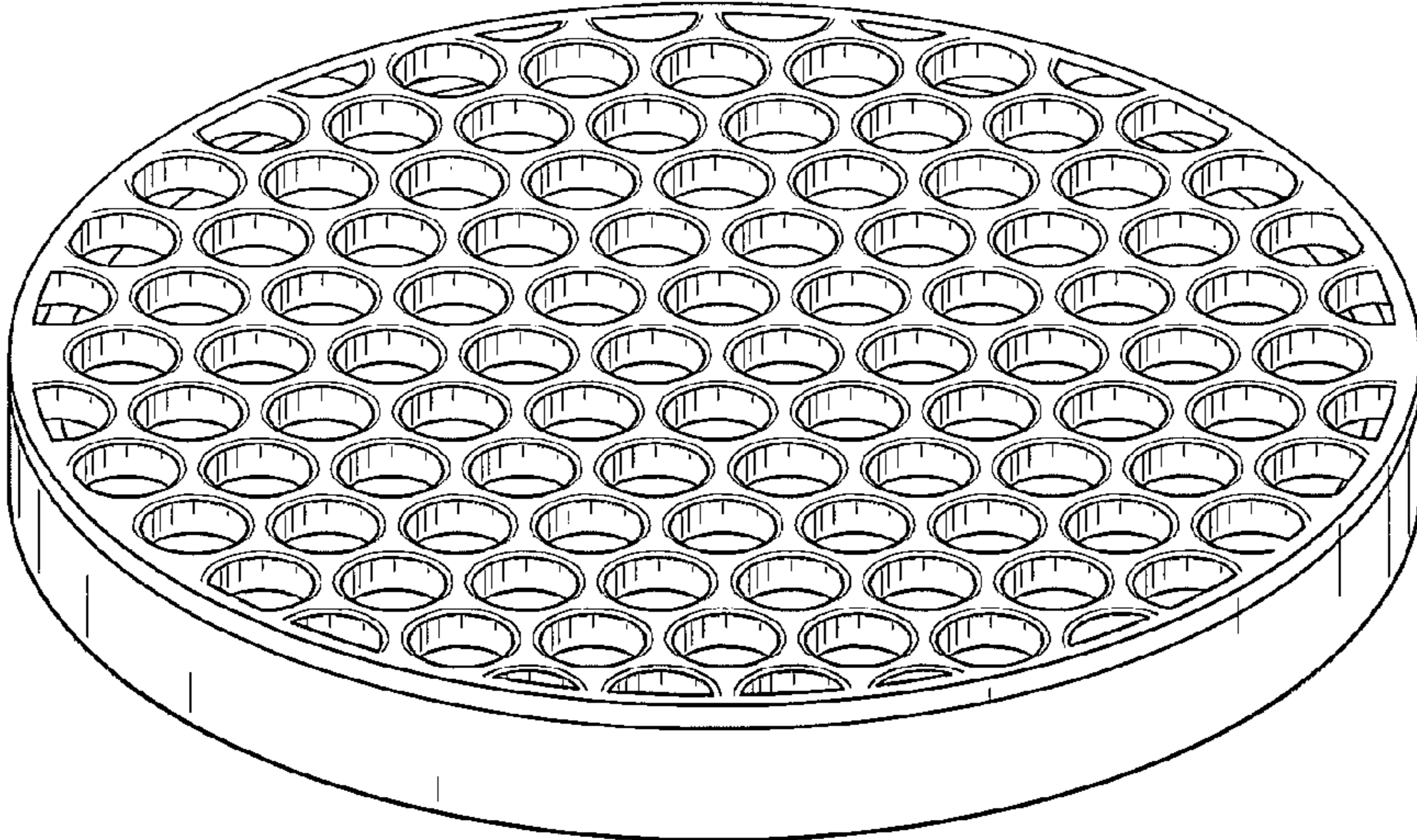


FIG. 1

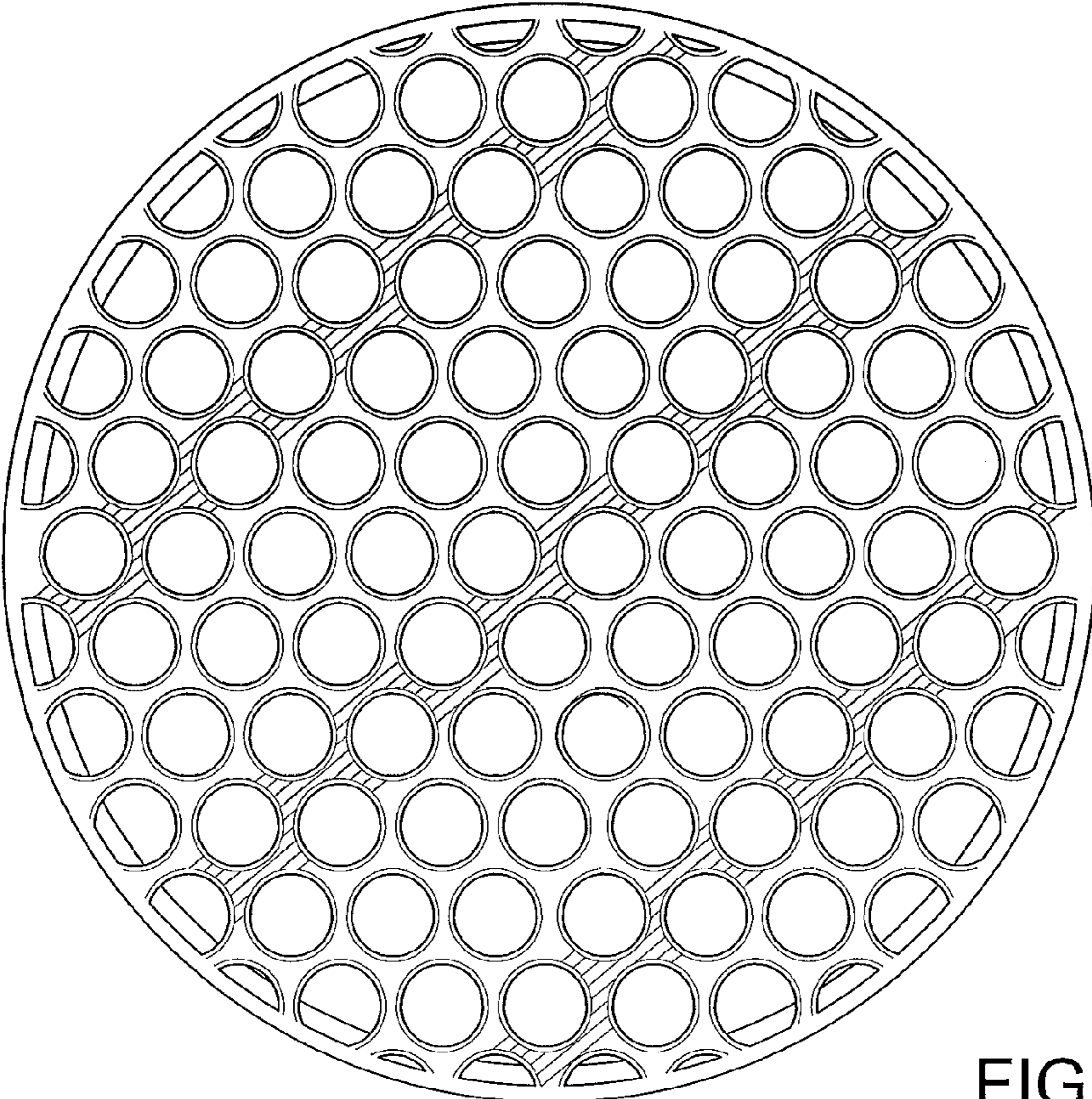


FIG. 2

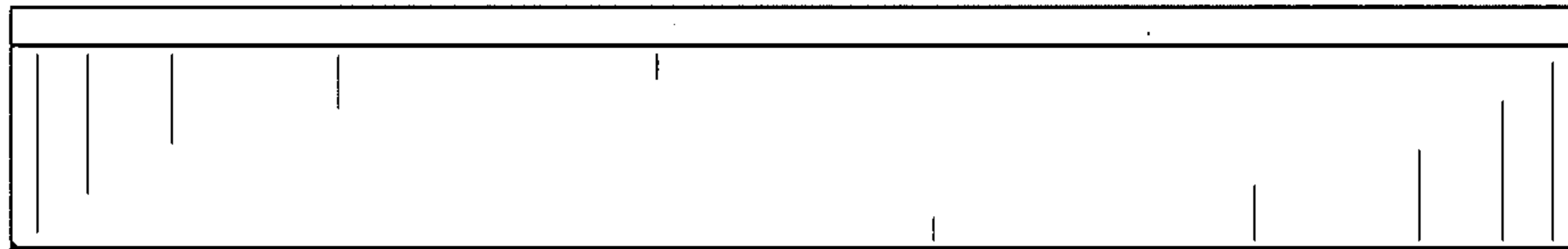


FIG. 3